

**Large Format Display**

# **User's Manual**

**MultiSync P404**

**MultiSync V404**

**MultiSync P484**

**MultiSync V484**

**MultiSync P554**

**MultiSync V554**

MODEL: P404, V404, P484, V484, P554, V554

Please find your model name in the label on the backside of monitor.

# Index

---

DECLARATION OF CONFORMITY .....	English-1
Important Information .....	English-2
WARNING .....	English-2
CAUTION .....	English-2
Safety Precautions, Maintenance & Recommended Use .....	English-3
Safety Precautions and Maintenance .....	English-3
Recommended Use .....	English-3
Ergonomics .....	English-3
Cleaning the LCD Panel .....	English-4
Cleaning the Cabinet .....	English-4
Contents .....	English-5
Installation .....	English-5
Attaching Mounting Accessories .....	English-7
Parts Name and Functions .....	English-9
Control Panel .....	English-9
Terminal Panel .....	English-10
Wireless Remote Control .....	English-12
Operating Range for the Remote Control .....	English-13
Setup .....	English-14
Connections .....	English-16
Wiring Diagram .....	English-16
Connecting a Personal Computer .....	English-17
Connecting a Player or Computer with HDMI .....	English-17
Connecting a Computer with DisplayPort .....	English-17
Connecting a USB device with USB port .....	English-18
Basic Operation .....	English-19
Power ON and OFF Modes .....	English-19
Power Indicator .....	English-20
Using Power Management .....	English-20
Aspect .....	English-20
Media Player .....	English-21
Displayable/playable files .....	English-21
File display screen .....	English-23
Slideshow display .....	English-24
Media Player settings .....	English-24
NETWORK & OTHER SETTINGS .....	English-25
Using SHARED SD card SETTINGS .....	English-26
Using CONTENTS COPY .....	English-27
Using Emergency contents .....	English-27
Information OSD .....	English-27
Picture Mode .....	English-28
OSD (On-Screen-Display) Controls .....	English-31
INPUT .....	English-32
PICTURE .....	English-32
AUDIO .....	English-34
SCHEDULE .....	English-35
MULTI INPUT .....	English-36
OSD .....	English-38
MULTI DISPLAY .....	English-38
DISPLAY PROTECTION .....	English-40
CONTROL .....	English-40
OPTION .....	English-43
SYSTEM .....	English-44
Remote Control Functions .....	English-46
Multiple Monitors Connection .....	English-47
Controlling the LCD monitor via RS-232C Remote Control .....	English-48
Controlling the LCD monitor via LAN Control .....	English-50
Connecting to a Network .....	English-50
Network Setting by Using an HTTP Browser .....	English-50
POINT ZOOM .....	English-58
PROOF OF PLAY .....	English-59
INTELLIGENT WIRELESS DATA .....	English-60
PIP (Picture in Picture) matrix .....	English-60
Video out .....	English-61
Features .....	English-62
Troubleshooting .....	English-63
Specifications - P404 .....	English-65
Specifications - V404 .....	English-66
Specifications - P484 .....	English-67
Specifications - V484 .....	English-68
Specifications - P554 .....	English-69
Specifications - V554 .....	English-70
Manufacturer's Recycling and Energy Information .....	English-71
[Notice] About the MPEG LA license included in this product .....	English-73

## DECLARATION OF CONFORMITY

This device complies with Part 15 of FCC Rules. Operation is subject to the following two conditions. (1) This device may not cause harmful interference, and (2) this device must accept any interference received, including interference that may cause undesired operation.

<b>U.S. Responsible Party:</b>	<b>NEC Display Solutions of America, Inc.</b>
<b>Address:</b>	<b>500 Park Boulevard, Suite 1100 Itasca, Illinois 60143</b>
<b>Tel. No.:</b>	<b>(630) 467-3000</b>

Type of Product:	Display Monitor
Equipment Classification:	Class B Peripheral
Model:	MultiSync P404 (P404) MultiSync V404 (V404) MultiSync P484 (P484) MultiSync V484 (V484) MultiSync P554 (P554) MultiSync V554 (V554)



*We hereby declare that the equipment specified above conforms to the technical standards as specified in the FCC Rules.*

### FCC Information

- Use the attached specified cables with this color monitor so as not to interfere with radio and television reception.
  - Please use the supplied power cord or equivalent to ensure FCC compliance.
  - Please use the supplied shielded video signal cable.
- This equipment has been tested and found to comply with the limits for a Class B digital device, pursuant to part 15 of the FCC Rules. These limits are designed to provide reasonable protection against harmful interference in a residential installation. This equipment generates, uses, and can radiate radio frequency energy, and, if not installed and used in accordance with the instructions, may cause harmful interference to radio communications. However, there is no guarantee that interference will not occur in a particular installation. If this equipment does cause harmful interference to radio or television reception, which can be determined by turning the equipment off and on, the user is encouraged to try to correct the interference by one or more of the following measures:
  - Reorient or relocate the receiving antenna.
  - Increase the separation between the equipment and receiver.
  - Connect the equipment into an outlet on a circuit different from that to which the receiver is connected.
  - Consult your dealer or an experienced radio/TV technician for help.

If necessary, the user should contact the dealer or an experienced radio/television technician for additional suggestions. The user may find the following booklet, prepared by the Federal Communications Commission, helpful: "How to Identify and Resolve Radio-TV Interference Problems." This booklet is available from the U.S. Government Printing Office, Washington, D.C., 20402, Stock No. 004-000-00345-4.

Windows is a registered trademark of Microsoft Corporation.

NEC is a registered trademark of NEC Corporation.

OmniColor is a registered trademark of NEC Display Solutions Europe GmbH in the countries of EU and Switzerland.

DisplayPort and DisplayPort Compliance Logo are trademarks owned by Video Electronics Standards Association in the United States and other countries.

All other brands and product names are trademarks or registered trademarks of their respective owners.

The terms HDMI and HDMI High-Definition Multimedia Interface, and the HDMI Logo are trademarks or registered trademarks of HDMI Licensing, LLC in the United States and other countries.



Trademark PJLink is a trademark applied for trademark rights in Japan, the United States of America and other countries and areas.

microSD and microSD SDHC logos are trademarks of SD-3C, LLC.



CRESTRON and ROOMVIEW are registered trademarks of Crestron Electronics, Inc. in the United States and other countries.

GPL/LGPL Software Licenses

The product includes software licensed under GNU General Public License (GPL), GNU Lesser General Public License (LGPL), and others.

For more information on each software, see "readme.pdf" inside the "about GPL&LGPL" folder on the supplied CD-ROM.

Apple and Macintosh are trademarks of Apple Inc., registered in the U.S. and other countries.

Adobe and the Adobe logo are either registered trademarks or trademarks of Adobe Systems Incorporated in the United States and/or other countries.

# Important Information



## WARNING



TO PREVENT FIRE OR SHOCK HAZARDS, DO NOT EXPOSE THIS UNIT TO RAIN OR MOISTURE. ALSO, DO NOT USE THIS UNIT'S POLARIZED PLUG WITH AN EXTENSION CORD RECEPTACLE OR OTHER OUTLETS UNLESS THE PRONGS CAN BE FULLY INSERTED.

REFRAIN FROM OPENING THE CABINET AS THERE ARE HIGH VOLTAGE COMPONENTS INSIDE. REFER SERVICING TO QUALIFIED SERVICE PERSONNEL.



## CAUTION



**CAUTION:** TO REDUCE THE RISK OF ELECTRIC SHOCK, MAKE SURE POWER CORD IS UNPLUGGED FROM WALL SOCKET. TO FULLY DISENGAGE THE POWER TO THE UNIT, PLEASE DISCONNECT THE POWER CORD FROM THE AC OUTLET. DO NOT REMOVE COVER (OR BACK). NO USER SERVICEABLE PARTS INSIDE. REFER SERVICING TO QUALIFIED SERVICE PERSONNEL.



This symbol warns user that uninsulated voltage within the unit may have sufficient magnitude to cause electric shock. Therefore, it is dangerous to make any kind of contact with any part inside this unit.



This symbol alerts the user that important literature concerning the operation and maintenance of this unit has been included. Therefore, it should be read carefully in order to avoid any problems.

**CAUTION:** Please use the power cord provided with this monitor in accordance with the table below. If a power cord is not supplied with this equipment, please contact your supplier. For all other cases, please use a power cord that matches the AC voltage of the power outlet and has been approved by and complies with the safety standard of your particular country.

Plug Type	North America		European Continental	U.K.	Chinese	Japanese
Plug Shape						
Region	U.S.A./ Canada	Taiwan	EU (except U.K.)	U.K.	China	Japan
Voltage	120*	110	230	230	220	100

\* When operating the MultiSync monitor with its AC 125-240V power supply, use a power supply cord that matches the power supply voltage of the AC power outlet being used.

**NOTE:** This product can only be serviced in the country where it was purchased.  
Use the power cord which has BSMI mark at both ends when you use this monitor in Taiwan.

- The intended primary use of this product is as an Information Technical Equipment in an office or domestic environment.
- The product is intended to be connected to a computer and is not intended for the display of television broadcast signals.





# Safety Precautions, Maintenance & Recommended Use

## Safety Precautions and Maintenance

FOR OPTIMUM PERFORMANCE, PLEASE NOTE THE FOLLOWING WHEN SETTING UP AND USING THE MULTI-FUNCTION MONITOR:

- **DO NOT OPEN THE MONITOR.** There are no user serviceable parts inside and opening or removing covers may expose you to dangerous shock hazards or other risks. Refer all servicing to qualified service personnel.
- Do not bend, crimp or otherwise damage the power cord.
- Do not place any heavy objects on the power cord. Damage to the cord may cause shock or fire.
- The power supply cord you use must have been approved by and comply with the safety standards of your country. (Type H05VV-F 3G 0.75 mm<sup>2</sup> should be used in Europe).
- In UK, use a BS-approved power cord with molded plug having a black (5 A) fuse installed for use with this monitor.
- The power cable connector is the primary means of detaching the system from the power supply. The monitor should be installed close to a power outlet, which is easily accessible.
- Do not spill any liquids into the cabinet or use your monitor near water.
- Do not insert objects of any kind into the cabinet slots, as they may touch dangerous voltage points, which can be harmful or fatal or may cause electric shock, fire or equipment failure.
- Do not place this product on a sloping or unstable cart, stand or table, as the monitor may fall, causing serious damage to the monitor.
- Do not mount this product upside down for an extended period of time as it may cause permanent damage to the screen.
- Do not place any objects onto the monitor and do not use the monitor outdoors.
- If glass is broken, handle with care.
- Temperature controlled fans are implemented in this monitor. For reliable performance and long useful life of this product, it is mandatory to not cover any vents on the monitor.
- If monitor or glass is broken, do not come in contact with the liquid crystal and handle with care.
- Allow adequate ventilation around the monitor, so that heat can properly dissipate. Do not block ventilated openings or place the monitor near a radiator or other heat sources.  
Do not put anything on top of the monitor.
- Handle with care when transporting. Save packaging for transporting.
- If using the cooling fan continuously, it is recommended to wipe holes clean a minimum of once a month.
- To ensure the monitor's reliability, please clean the holes at the back side of the cabinet at least once a year to remove dirt and dust.
- When using a LAN cable, do not connect to a peripheral device with wiring that might have excessive voltage.
- Do not use the monitor in high temperature, humid, dusty, or oily areas.

- Do not use monitor under rapid temperature and humidity change condition and avoid cold air from air-conditioning outlet directly, as it may shorten the lifetime of the monitor or cause condensation. If condensation of water has happened, let the monitor stand unplugged until the condensation has disappeared.

Connecting to a TV\*

- Cable distribution system should be grounded (earthed) in accordance with ANSI/NFPA 70, the National Electrical Code (NEC), in particular Section 820.93, Grounding of Outer Conductive Shield of a Coaxial Cable.
- The screen of the coaxial cable is intended to be connected to earth in the building installation.

Under the following conditions immediately disconnect your monitor from the wall outlet and refer servicing to qualified service personnel:

- When the power supply cord or plug is damaged.
- If liquid has been spilled, or objects have fallen into the monitor.
- If the monitor has been exposed to rain or water.
- If the monitor has been dropped or the cabinet has been damaged.
- If you notice any structural damage such as cracks or unnatural wobbling.
- If the monitor does not operate normally by following operating instructions.

## Recommended Use

- For the monitor's optimum performance, allow 20 minutes for warming up.
- Rest your eyes periodically by focusing on an object at least 5 feet away. Blink often.
- Position the monitor at a 90° angle to windows and other light sources to minimize glare and reflections.
- Clean the LCD monitor surface with a lint-free, non-abrasive cloth. Avoid using any cleaning solution or glass cleaner!
- Adjust the monitor's brightness, contrast and sharpness controls to enhance readability.
- Avoid reproduction of still patterns on the monitor for long periods of time to avoid image persistence (after image effects).
- Get regular eye checkups.

## Ergonomics

To realize the maximum ergonomic benefits, we recommend the following:

- Use the preset Size and Position controls with standard signals.
- Use the preset Color Setting.
- Use non-interlaced signals.
- Do not use primary color blue on a dark background, as it is difficult to see and may produce eye fatigue due to insufficient contrast.
- Suitable for entertainment purposes at controlled luminous environments, to avoid disturbing reflections from the screen.

\* The product you purchased may not have this feature.

**Cleaning the LCD Panel**

- When the liquid crystal panel is dusty, please gently wipe with a soft cloth.
- Please do not rub the LCD panel with hard material.
- Please do not apply pressure to the LCD panel surface.
- Please do not use OA cleaner as it will cause deterioration or discoloration on the LCD panel surface.

**Cleaning the Cabinet**

- Unplug the power supply
- Gently wipe the cabinet with a soft cloth
- To clean the cabinet, dampen the cloth with a neutral detergent and water, wipe the cabinet and follow with a dry cloth.

**NOTE:** DO NOT clean with benzene thinner, alkaline detergent, alcoholic system detergent, glass cleaner, wax, polish cleaner, soap powder, or insecticide. Rubber or vinyl should not be in contact with the cabinet for an extended period of time. These types of fluids and materials can cause the paint to deteriorate, crack or peel.

# Contents

For contents, please refer to the contents sheet.

## Installation

*This device cannot be used or installed without the Tabletop Stand or other mounting accessory for support. For proper installation it is strongly recommended to use a trained, NEC authorized service person. Failure to follow NEC standard mounting procedures could result in damage to the equipment or injury to the user or installer. Product warranty does not cover damage caused by improper installation. Failure to follow these recommendations could result in voiding the warranty.*

### Mounting

DO NOT mount the monitor yourself. Please ask your supplier. For proper installation it is strongly recommended to use a trained, qualified technician. Please inspect the location where the unit is to be mounted. Mounting on wall or ceiling is the customer's responsibility. Not all walls or ceilings are capable of supporting the weight of the unit. Product warranty does not cover damage caused by improper installation, remodeling, or natural disasters. Failure to comply with these recommendations could result in voiding the warranty.

DO NOT block ventilated openings with mounting accessories or other accessories.

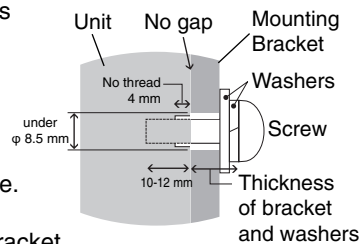
#### For NEC Qualified Personnel:

To ensure safe installation, use two or more brackets to mount the unit. Mount the unit to at least two points on the installation location.

### Please note the following when mounting on wall or ceiling

- When using mounting accessories other than those that are NEC approved, they must comply with the VESA-compatible (FDMLv1) mounting method.
- NEC recommends mounting interfaces that comply with UL1678 standard in North America.

- NEC strongly recommends using size M6 screws (10-12 mm + thickness of bracket and washers in length). If using screws longer than 10-12 mm, check the depth of the hole. (Recommended Fasten Force: 470 - 635N•cm). Bracket hole should be under  $\phi$  8.5 mm.



- Prior to mounting, inspect the installation location to ensure that it is strong enough to support the weight of the unit so that the unit will be safe from harm.
- For detailed information, refer to the instructions included with the mounting equipment.
- Make sure that there is no gap between the monitor and the bracket.
- When used in a video wall configuration for a longer time, slight expansion of the monitors may happen due to temperature changes. Due to this it is recommended that over one millimeter gap is kept between adjacent monitor edges.

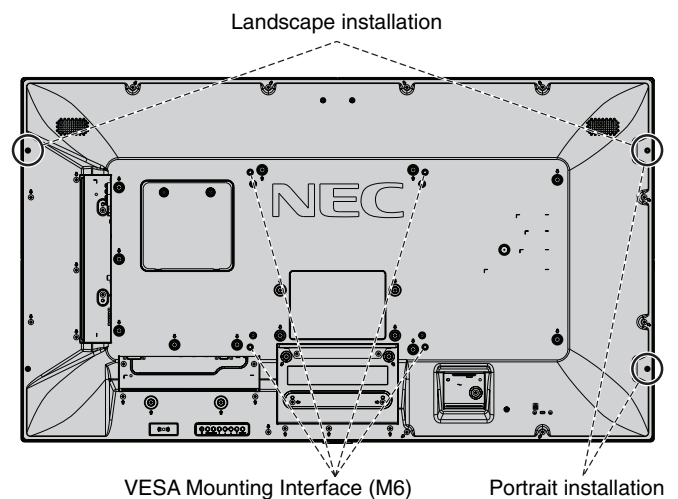
To prevent the LCD monitor from falling off from the wall or ceiling, NEC strongly recommends using a wire.

Please install LCD monitor in a spot of the wall or ceiling strong enough to support the monitor.

Prepare the LCD monitor using mounting accessories such as hook, eyebolt or mounting parts and then secure the LCD monitor with a wire. The installed wire must not be tight.

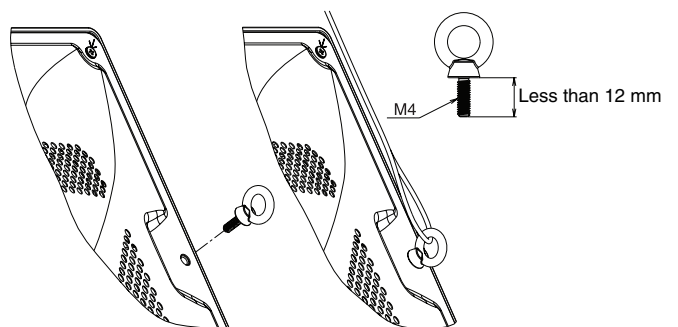
Please make sure the mounting accessories are strong enough to support the LCD monitor before mounting it.

Please use the two optional speaker mounting holes. (Recommended Fasten Force: 139 - 189N•cm).



### Installing a wire to a monitor with no speakers installed

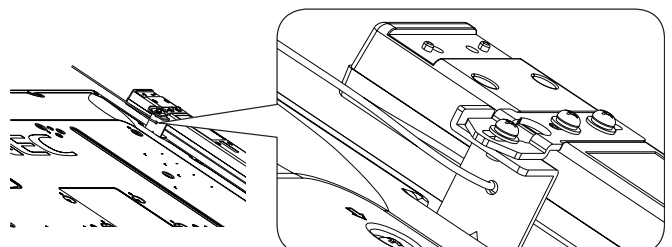
Please use eyebolts to install a wire to the monitor.



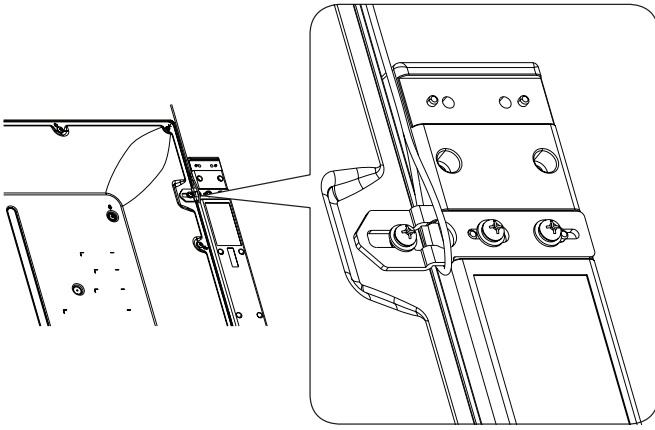
### Installing a wire to a monitor with installed speakers

Please use speaker mounting parts to install a wire to the monitor.

Optional speaker is installed on the back of the LCD monitor:



Optional speaker is installed on the side of the LCD monitor:



### Mounting location

- The ceiling and wall must be strong enough to support the monitor and mounting accessories.
- DO NOT install in locations where a door or gate can hit the unit.
- DO NOT install in areas where the unit will be subjected to strong vibrations and dust.
- DO NOT install the monitor next to a location where the main power supply is fed into the building.
- DO NOT install the monitor in a location where people can easily grab and hang onto the unit or the mounting equipment.
- Allow for adequate ventilation or provide air conditioning around the monitor, so that heat can properly dissipate away from the monitor and from the mounting equipment.

### Mounting on ceilings

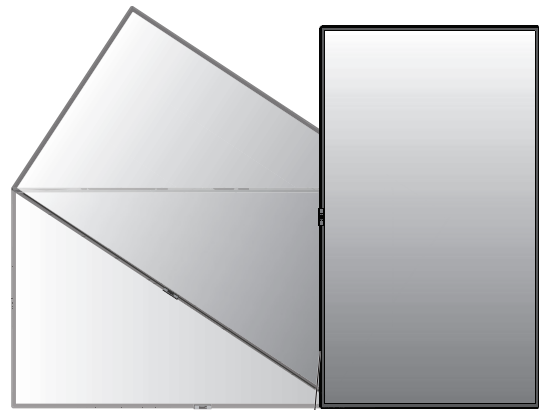
- Ensure that the ceiling is sturdy enough to support the weight of the unit and the mounting equipment over time, against earthquakes, unexpected vibrations, and other external forces.
- Be sure the unit is mounted to a solid structure within the ceiling, such as a support beam. Secure the monitor using bolts, spring lock washers, washer and nut.
- DO NOT mount to areas that have no supporting internal structure. DO NOT use wood screws or anchor screws for mounting. DO NOT mount the unit to ceiling or to hanging fixtures.

### Maintenance

- Periodically check for loose screws, gaps, distortions, or other problems that may occur with the mounting equipment. If a problem is detected, please refer to qualified personnel for service.
- Regularly check the mounting location for signs of damage or weakness that may occur over time.

### Orientation

- When using the monitor in the portrait position, it should be rotated clockwise so that the left side is moved to the top, right side is moved to the bottom. This will allow for proper ventilation and will extend the lifetime of the monitor. Improper ventilation may shorten the lifetime of the monitor.



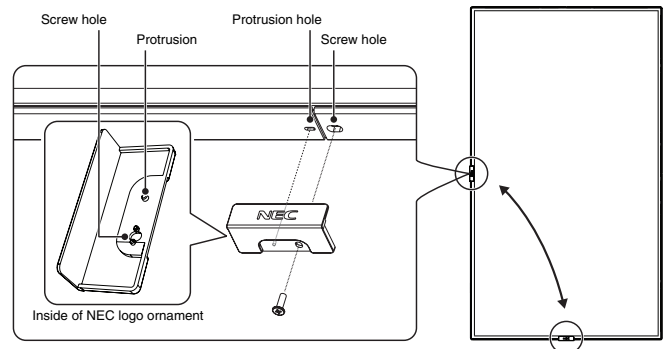
LED Indicator

- When using the monitor in the portrait position, the NEC logo ornament position can be changed.

### Changing NEC logo ornament position

Removing the logo ornament: unscrew the installed screw then take off the logo ornament.

Attaching the logo ornament: adjust the protrusions inside of the logo ornament into the protrusion hole on the bezel. Make sure the hole for screw on the logo ornament and a hole for screw on the bezel are much. Install the logo ornament with the screw which is used for installing the logo ornament. (Recommended Fasten Force: 30-40N•cm).



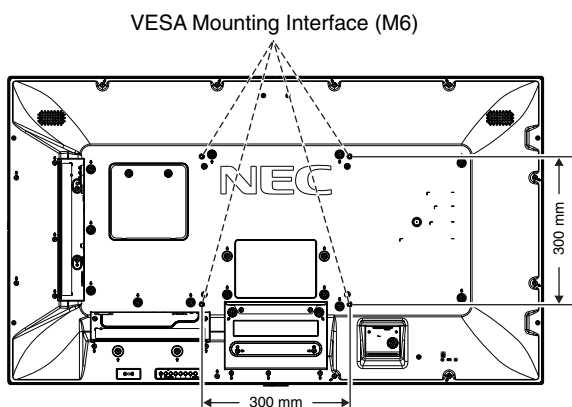
**CAUTION:** Do not use any other screw to install the logo ornament.

## Attaching Mounting Accessories

The monitor is designed for use with the VESA mounting system.

### 1. Attach Mounting Accessories

Be careful to avoid tipping the monitor when attaching accessories.



Mounting accessories can be attached with the monitor in the face down position. To avoid damaging the front face, place the protective sheet on the table underneath the LCD monitor. The protective sheet was wrapped around the LCD monitor in the original packaging. Make sure there is nothing on the table that can damage the monitor.

When using mounting accessories other than NEC compliant and approved, they must comply with the VESA Flat Display Mounting Interface Standard (FDMI).

**NOTE:** Prior to installation, be sure to place the monitor on a flat area with adequate space.

### 2. Using an Option Board

1. Turn off the main power switch.
2. Place the monitor face down on the protective sheet.  
**NOTE:** Be sure to place the monitor on a flat and adequate space.
3. Remove the attached slot cover by unscrewing the installed screws (**Figure 1**).

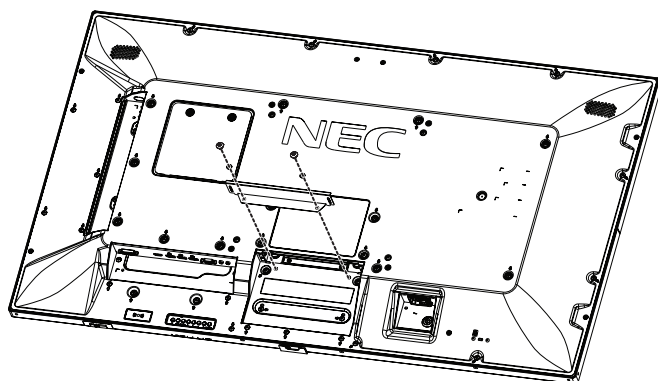


Figure 1

4. Insert the option board into the monitor and fix it with the removed screws (**Figure 2**).

**NOTE:** Please contact your supplier for available option boards.  
Do not apply excessive force to manipulate the option board before fixing it with screws.  
Make sure that the board is inserted into the slot in the correct orientation.

**CAUTION:** Ensure the option board is attached by the removed screws. As falling the option board may expose you to danger.

(Recommended Fasten Force: 139 - 189N•cm).

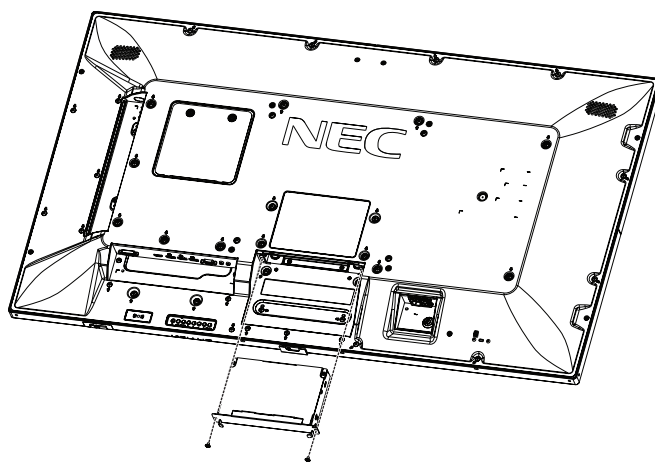
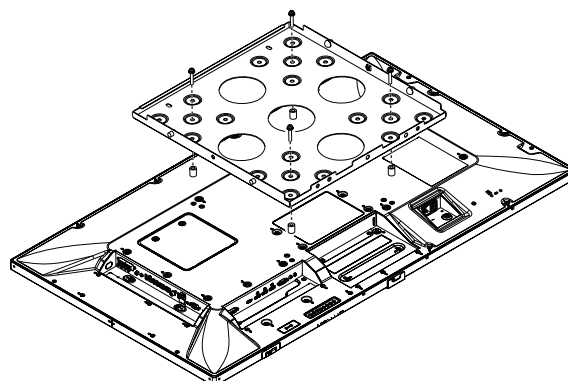
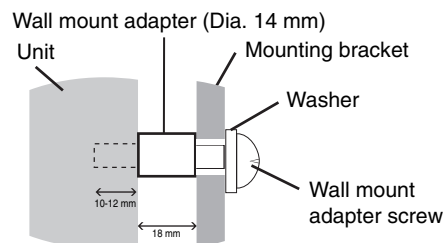


Figure 2

### 3. Using Wall Mount Adapter

If the mounting accessory interferes with ventilation hole, use the included wall mount adaptors (Dia. 14 mm) and screws. If the adaptor screws are too long, include a washer to reduce the depth. Washer not included.



Pictured mounting solutions may not be available in some countries.

## 4. Installing and removing the optional table top stand

**CAUTION:** Installing and removing the stand must be done by two or more people.

For installation follow the instructions included with the stand or mounting equipment. Use only those devices recommended by the manufacturer.

**NOTE:** Use ONLY screws which are supplied with the optional table top stand.

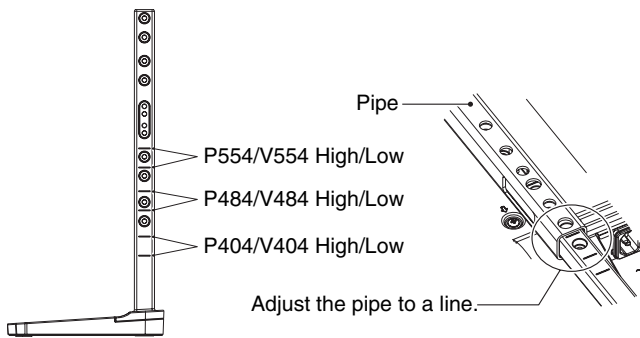
When installing the LCD monitor stand, handle the unit with care to avoid pinching your fingers.

**NOTE:** Use the ST-401. Please refer to the ST-401 user's manual for more detail.

**NOTE:** DO NOT use the P554/V554 on the floor with the table top stand. Please use this monitor on a table or with a mounting accessory for support.

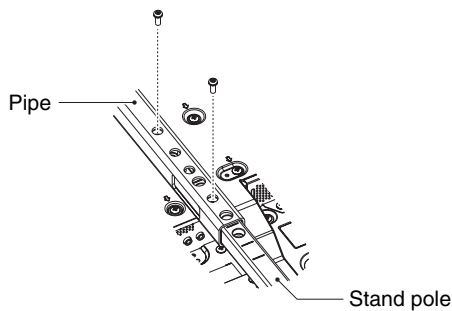
### Height adjustment

1. The lines on the stand pole are indicators of the height adjustment (**Figure 3**). Please adjust the pipe to the lines.



**Figure 3**

2. Please install the stand pole and the pipe with included screws. Please screw the two screw holes at the pipe (**Figure 4**).

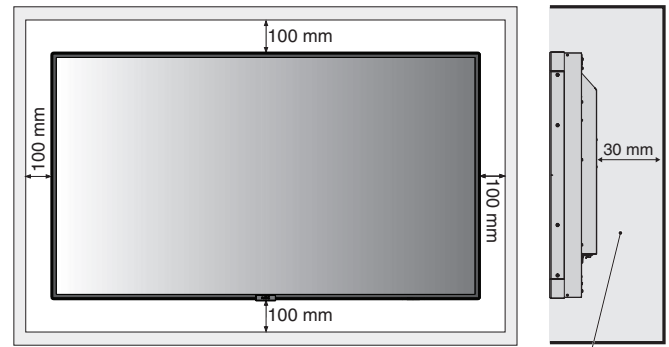


**Figure 4**

**NOTE:** Installing the monitor at the wrong height can cause tipping. Please install your monitor at proper height.

## 5. Ventilation Requirements

When mounting in an enclosed space or recessed area, leave adequate room between the monitor and the enclosure to allow heat to disperse, as shown below.

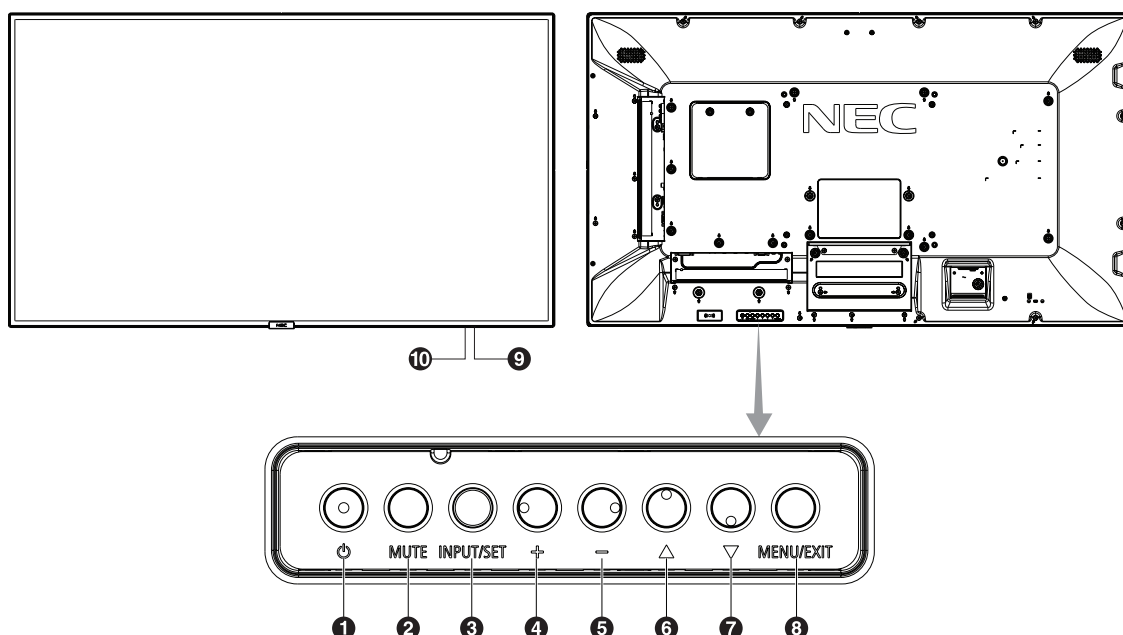


Allow adequate ventilation or provide air conditioning around the monitor, so that heat can properly dissipate away from the unit and the mounting equipment; especially when you use monitors in a multiple screen configuration.

**NOTE:** The sound quality of the internal speakers will be different depending on the acoustics of the room.

# Parts Name and Functions

## Control Panel



### 1 POWER button (⏻)

Switches the power on/standby. See also page 19.

### 2 MUTE button (MUTE)

Switches the audio mute on/off.

### 3 INPUT/SET button (INPUT/SET)

INPUT: Toggle switches between below inputs.  
[DVI], [HDMI1], [HDMI2], [DisplayPort1], [DisplayPort2], [VGA (YPbPr/RGB)], [VIDEO], [MP], [OPTION\*]). These are available inputs only, shown as their factory preset name.  
SET: When OSD is shown, this button acts as “set button” when you made selection.

\*: This function depends on which option board you are using.

### 4 PLUS button (+)

1. Increases the audio output level when the OSD menu is turned off.
2. Acts as (+) button to increase the adjustment with OSD menu.

### 5 MINUS button (-)

1. Decreases the audio output level when the OSD menu is turned off.
2. Acts as (-) button to decrease the adjustment with OSD menu.

### 6 UP button (▲)

Activates the OSD menu when the OSD menu is turned off.  
Acts as ▲ button to move the highlighted area up to select adjustment items within the OSD menu.

### 7 DOWN button (▼)

Activates the OSD menu when the OSD menu is turned off.  
Acts as ▼ button to move the highlighted area down to select adjustment items within the OSD menu.

### 8 MENU/EXIT button (MENU/EXIT)

Activates the OSD menu when the OSD menu is turned off.  
Acts as EXIT button within the OSD to move to previous menu.

### 9 Remote control sensor and Power Indicator

Receives the signal from the remote control (when using the wireless remote control). See also page 13.

Glow blue when the LCD monitor is in active mode\*.

Green and Amber blink alternately is the “SCHEDULE SETTINGS” function enabled\*1.

When a component failure is detected within the monitor, the indicator will blink red or blink a combination of red and blue.

\* If “OFF” is selected in the “POWER INDICATOR” (see page 42), LED will not glow when the LCD monitor is in active mode.

\*1 If “OFF” is selected in the “SCHEDULE INDICATOR” (see page 42), LED will not glow.

**NOTE:** Please refer to the POWER INDICATOR (see page 42).

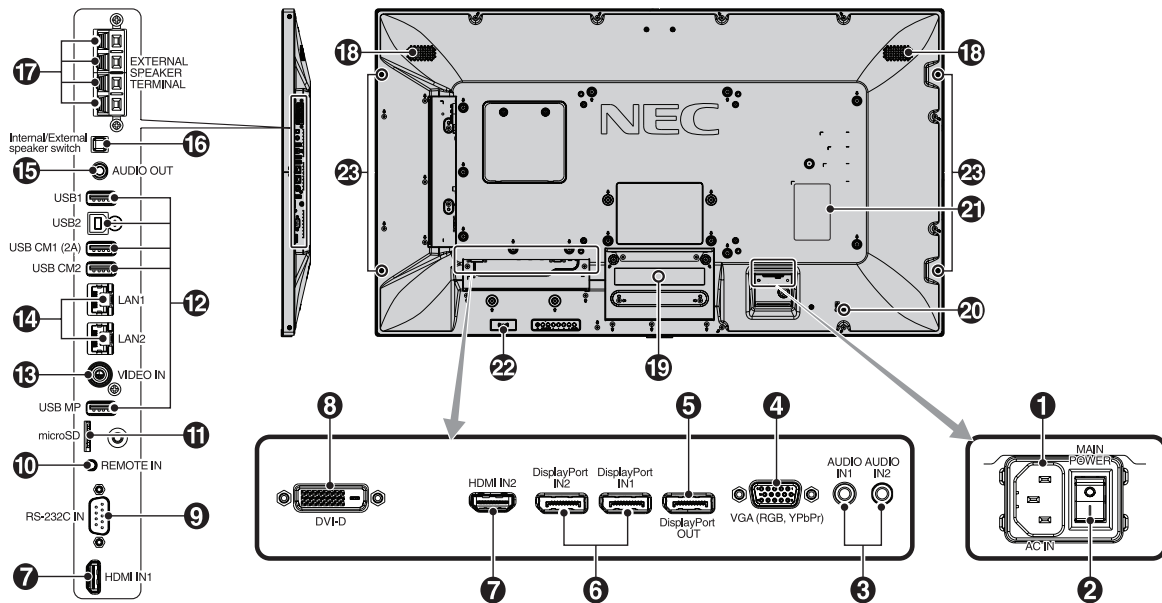
### 10 Room light sensing sensor

Detects the level of ambient light, allowing the monitor to make automatic adjustments to the backlight setting, resulting in a more comfortable viewing experience. Do not cover this sensor. See page 42.

OSD is an abbreviation of On Screen Display.



# Terminal Panel



## 1 AC IN connector

Connects with the supplied power cord.

## 2 Main Power Switch

On/Off switch to turn main power ON/OFF.

## 3 AUDIO IN1/IN2

To input audio signal from external equipment such as a computer or player.

## 4 VGA IN (mini D-Sub 15 pin)

To input analog RGB signals from a personal computer or from other RGB equipment. This input can be used with an RGB or YPbPr source. Please select signal type in TERMINAL SETTINGS. See page 37.

**NOTE:** When you use this connector for YPbPr, please use a suitable signal cable. If you have any questions, please ask your supplier.

## 5 DisplayPort OUT

To output DisplayPort signals.  
Outputs DisplayPort1 signal.

## 6 DisplayPort IN1/IN2

To input DisplayPort signals.

## 7 HDMI IN1/IN2

To input digital HDMI signals.

## 8 DVI IN (DVI-D)

To input digital RGB signals from a computer or HDTV device having a digital RGB output.

\* This connector does not support analog input.

## 9 RS-232C IN (D-Sub 9 pin)

Connect RS-232C input from external equipment such as a computer in order to control RS-232C functions.

## 10 REMOTE IN

Use the optional sensor unit by connecting it to your monitor.

**NOTE:** Do not use this connector unless specified.

## 11 microSD card slot

Insert a microSD memory card. To use Media player, please connect a microSD memory card to this port (See page 18). To install the microSD card slot cover, please refer to "Installing microSD card slot cover" (See page 23).

## 12 USB port

USB1: Downstream port (USB Type-A).  
To connect USB devices.

USB2: Upstream port (USB Type-B).  
To connect external equipment such as a computer. To control the monitor from connected external equipment, please use this port.

USB CM1 (2A): Power supply port.

USB CM2: Service port. This port is for future software upgrades.

USB MP: USB storage device port.  
To use Media player, please connect USB storage device to this port (See page 18). MP is an abbreviation of Media Player.

## 13 VIDEO IN

To input a composite video signal.

## 14 LAN port IN1/IN2 (RJ-45)

LAN connection. See page 47 and 50.

**NOTE:** Please give priority for use to LAN1.

## 15 AUDIO OUT

To output the audio signal from the AUDIO IN1/IN2, DisplayPort and HDMI to an external device (stereo receiver, amplifier, etc.).

**NOTE:** This connector is not a Headphone terminal.

## 16 Internal/External speaker switch

: Internal speaker : External speaker.

**NOTE:** Please turn off the monitor's main power when you use the Internal/External speaker switch.



**17 EXTERNAL SPEAKER TERMINAL**

To output the audio signal.

Red terminal is plus (+).

Black terminal is minus (-).

**NOTE:** This speaker terminal is for 15 W + 15 W (8 ohm) speaker.

**18 Internal speaker****19 Option board slot**

Slot 2 type accessory is available. Please contact your supplier for detailed information.

**NOTE:** Please contact your supplier for available option board.

**20 Kensington Lock**

For security and theft prevention.

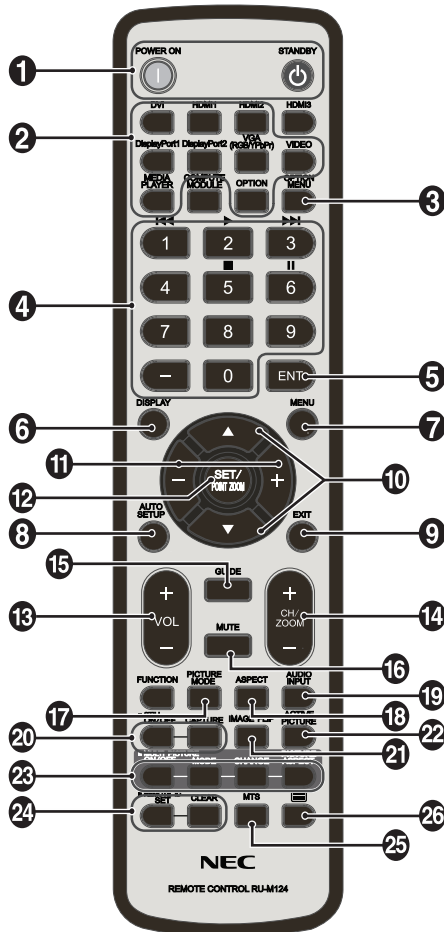
**21 Rating label****22 Intelligent wireless data sensor**

Sensor for wireless communication of monitor for information and settings.

**23 Option speaker mounting hole**

**NOTE:** Please contact your supplier for available optional speaker.

# Wireless Remote Control



## 1 POWER ON/STANDBY button

Switches the power on/standby.

## 2 INPUT button

Selects input signal.  
Input signal for MEDIA PLAYER is shown as MP.

## 3 OPTION MENU button

## 4 KEYPAD

Press the buttons to set and change passwords, change channel and set REMOTE ID.  
Below buttons are used for CEC (See page 43) and Media Player function (See page 21):  
1 ◀◀, 2 ▶▶, 3 ▶▶▶, 5 ■, 6 ■■.

## 5 ENT button\*1

## 6 DISPLAY button

Turns on/off the information OSD. See page 27.  
If you lock remote control buttons using the IR LOCK SETTINGS function, you can unlock the buttons by holding down this DISPLAY button for more than 5 seconds.

## 7 MENU button

Turns on/off the menu mode.

## 8 AUTO SET UP button

Enters auto setup menu. See page 33.

## 9 EXIT button

Returns to previous menu within OSD menu.

## 10 UP/DOWN button (▲/▼)

Acts as ▲ ▼ button to move the highlighted area up or down to select adjustment items within the OSD menu.  
Small screen which adjusted PIP (picture in picture) mode moves up or down.

## 11 MINUS/PLUS (-/+ ) button

Increases or decreases the adjustment level within the OSD menu settings.  
Small screen which adjusted "PIP" mode moves left or right and increases or decreases the size.

## 12 SET/POINT ZOOM button

SET: When OSD is shown, this button acts as "set button" when you made selection.  
POINT ZOOM: When OSD is not shown, this button acts as "point zoom button".

## 13 VOLUME UP/DOWN button (VOL +/-)

Increases or decreases audio output level.

## 14 CH/ZOOM UP/DOWN button (CH/ZOOM +/-)\*1

Increases or decreases POINT ZOOM level.  
Please refer to POINT ZOOM (See page 58).

## 15 GUIDE button\*1

## 16 MUTE button

Turns on/off the mute function.

## 17 PICTURE MODE button

Selects picture mode, [HIGHBRIGHT], [STANDARD], [sRGB], [CINEMA], [CUSTOM1], [CUSTOM2], [SVE-(1-5) SETTINGS]. See page 30.

HIGHBRIGHT: For moving images such as DVD.

STANDARD: For images.

sRGB: For text based images.

CINEMA: For movies.

CUSTOM1 and CUSTOM2: Activates auto dimming function. See page 42.

SVE-(1-5) SETTINGS: For images and movies.

## 18 ASPECT button

Selects picture aspect, [FULL], [WIDE]\*, [DYNAMIC]\*, [1:1], [ZOOM] and [NORMAL]. See page 20.

\* HDMI1, HDMI2, VGA (YPbPr) inputs only.

## 19 AUDIO INPUT button

Selects audio input source [IN1], [IN2], [HDMI1], [HDMI2], [DisplayPort1], [DisplayPort2], [OPTION]\*1, [MP].

## 20 STILL button

**ON/OFF button:** Activates/deactivates still picture mode.

**CAPTURE button:** Captures still picture.

**NOTE:** This function is released when selecting MULTI PICTURE MODE, TEXT TICKER, SCREEN SAVER, POINT ZOOM, IMAGE FLIP except for NONE, SUPER in INPUT CHANGE, TILE MATRIX.

CLOSED CAPTION is not available when STILL is active.  
If input signal is OPTION, this button's actions depend on which option board you are using.

\*1: This button's action depends on which option board you are using.

**21 IMAGE FLIP button**

Toggle switches between [H FLIP], [V FLIP], [180° ROTATE] and [NONE]. See page 34.

**22 ACTIVE PICTURE button**

Selects active picture.

**23 MULTI PICTURE button**

**ON/OFF button:** Toggle switches between ON and OFF. See page 20.

**MODE button:** Selects a mode from PIP (picture in picture) or PBP (picture by picture).

**CHANGE button:** Swaps images between two pictures.

**PICTURE ASPECT button:** Selects active picture frame aspect.

**NOTE:** Enable to change each multi picture size by pressing SET/POINT ZOOM button during multi picture mode.

**24 REMOTE ID button**

Activates the REMOTE ID function. See page 46.

**25 MTS button\*1****26  button\*1**

Activates closed captioning.

**NOTE:** VIDEO input only.

\*1: This button's action depends on which option board you are using. Refer to the option board's user's manual for further information.

**NOTE:** The buttons with no explanation do not function.

## Operating Range for the Remote Control

Points the top of the remote control toward the LCD monitor's remote control sensor during button operation.

Uses the remote control within a distance of about 7 m (23 ft.) from remote control sensor or at a horizontal and vertical angle of within 30° within a distance of about 3.5 m (10 ft.).



**Caution:** Important, the remote control system may not function when direct sunlight or strong illumination strikes the remote control sensor or when there is an object in the path.



### Handling the remote control

- Do not expose to strong shock.
- Do not allow water or other liquid to splash the remote control. If the remote control gets wet, wipe it dry immediately.
- Avoid exposure to heat and steam.
- Except to install the batteries, do not open the remote control.

# Setup

## 1. Determine the installation location

**CAUTION:** Installing your LCD monitor must be done by a qualified technician. Contact your supplier for more information.

**CAUTION:** MOVING OR INSTALLING THE LCD MONITOR MUST BE DONE BY TWO OR MORE PEOPLE. Failure to follow this caution may result in injury if the LCD monitor falls.

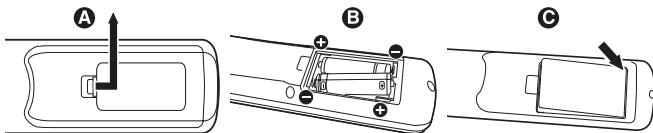
**CAUTION:** Do not mount or operate the monitor upside down.

**CAUTION:** This LCD monitor has internal temperature sensors and cooling fans, including a fan for the option board.  
If the LCD monitor becomes too hot, the cooling fans will turn on automatically.  
The option board's fan is active although the temperature is lower than normal operating temperature for cooling the option board. If the LCD monitor becomes overheated while the cooling fan is running, a "Caution" warning will appear. If the "Caution" warning appears, stop using the unit and allow it to cool. Using the cooling fans will reduce the likelihood of early unit failure and may help reduce image degradation and "Image Persistence".  
If the LCD monitor is used in an enclosed area or if the LCD panel is covered with a protective screen, please check the inside temperature of the monitor by using the "HEAT STATUS" control in the OSD (see page 40). If the temperature is higher than the normal operating temperature, please turn the cooling fan to ON within the FAN CONTROL menu within the OSD (see page 40).

**IMPORTANT:** Lay the protective sheet beneath the monitor, so as not to scratch the LCD panel. The protective sheet was wrapped around the monitor when it was packaged.

## 2. Install the remote control batteries

The remote control is powered by two 1.5V AAA batteries. To install or replace batteries:



- Press and slide to open the cover.
- Align the batteries according to the (+) and (-) indications inside the case.
- Replace the cover.

**CAUTION:** Incorrect usage of batteries can result in leaks or bursting.

NEC recommends the following battery use:

- Place "AAA" size batteries matching the (+) and (-) signs on each battery to the (+) and (-) signs of the battery compartment.
- Do not mix battery brands.
- Do not combine new and old batteries. This can shorten battery life or cause liquid leakage of batteries.
- Remove dead batteries immediately to prevent battery acid from leaking into the battery compartment.
- Do not touch exposed battery acid, it may injure your skin.

**NOTE:** If you do not intend to use the Remote Control for a long period of time, remove the batteries.

## 3. Connect external equipment (See pages 16, 17 and 18)

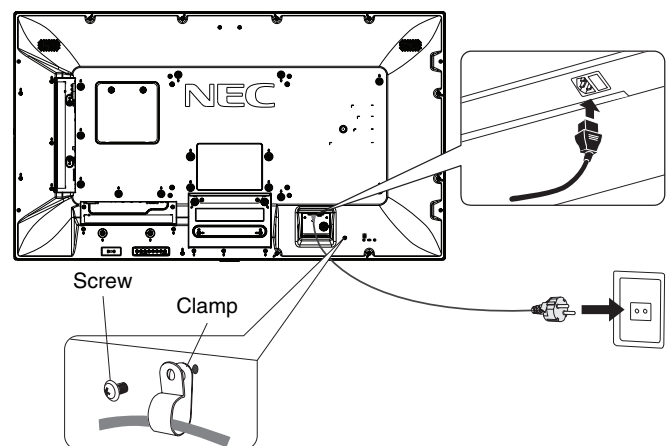
- To protect the external equipment; turn off the main power before making connections.
- Refer to the user's manual of your equipment for further information.

**NOTE:** Do not connect/disconnect cables when turning on the monitor or other external equipment, as this may result in a loss of the monitor image.

## 4. Connect the supplied power cord

- The equipment should be installed close to an easily accessible power outlet.
- Please fasten power cord to the LCD monitor by attaching the screw and clamp.
- Fully insert the prongs into the power outlet socket. A loose connection may cause image degradation.

**NOTE:** Please refer to the "Safety Precautions and Maintenance" section of this user's manual for proper selection of an AC power cord. (Recommended Fasten Force: 139 - 189N•cm).



## **5. Switch on the power of all the attached external equipment**

When connected with a computer, switch on the power of the computer first.

## **6. Operate the attached external equipment**

Show the signal on the screen from the desired input source.

## **7. Adjust the sound**

Make volume adjustments when required.

## **8. Adjust the screen (See pages 33 and 34)**

Make adjustments to the image position, if necessary.

## **9. Adjust the image (See page 32 and 33)**

Make adjustments such as backlight or contrast when required.

## **10. Recommended Adjustments**

To reduce the risk of the "Image Persistence", please adjust the following items based on the application being used: "SCREEN SAVER", "SIDE BORDER COLOR" (See page 40), "DATE & TIME" (See page 36), "SCHEDULE SETTINGS" (See page 35).

It is recommended that the "FAN CONTROL" setting (See page 40) be checked ON also.

# Connections

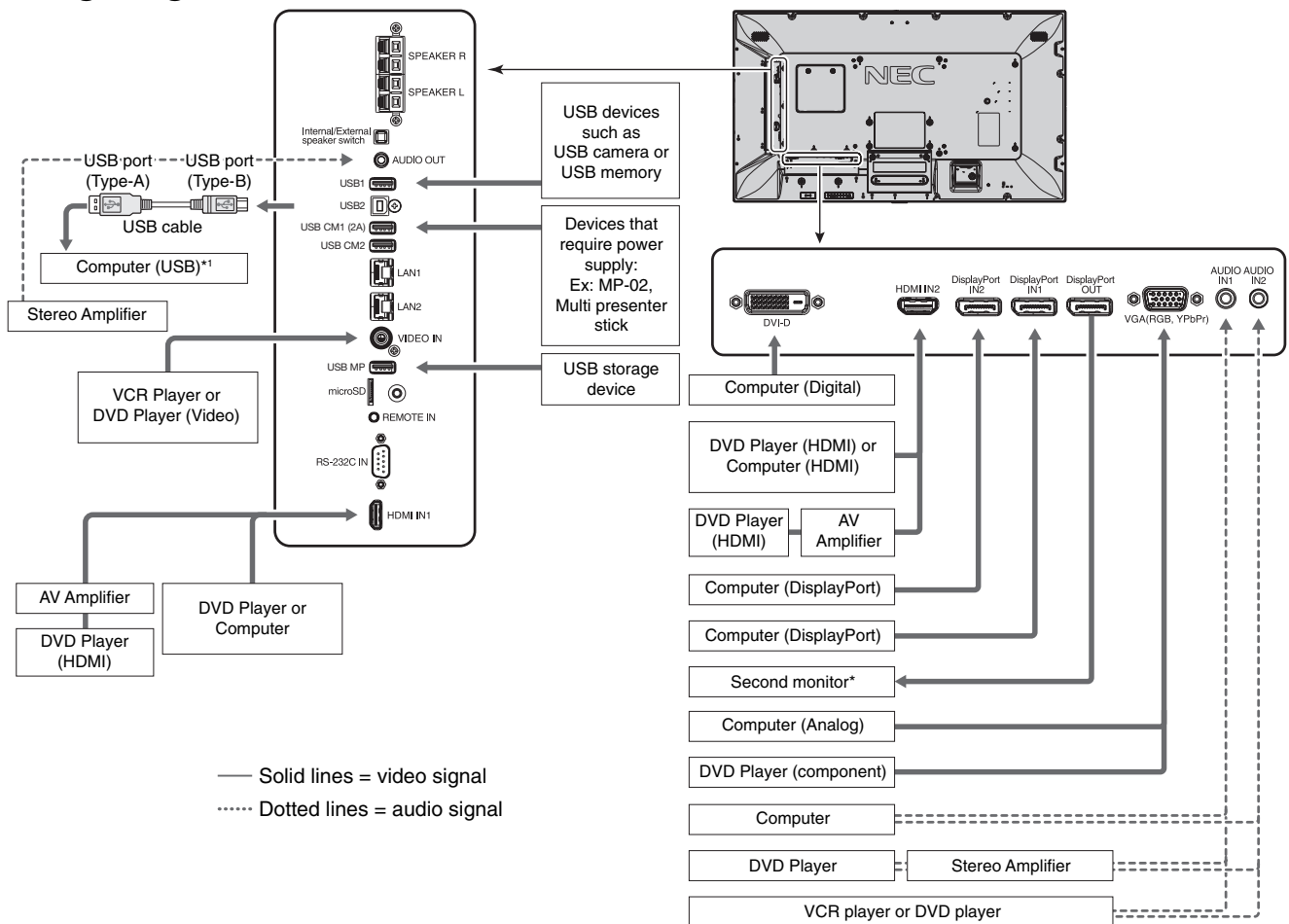
**NOTE:** Do not connect or disconnect cables when turning on the monitor's main power or other external equipment's power, as this may result in a loss of the monitor image.

**NOTE:** Use an audio cable without a built-in resistor. Using an audio cable with a built-in resistor turns down the sound.

## Before making connections:

- \* First turn off the power of all the attached equipment and make connections.
- \* Refer to the user's manual included with each separate piece of equipment.
- \* Connecting or disconnecting a USB storage device or a microSD memory card to the monitor when the monitor's main power is off.

## Wiring Diagram



\*: Multiple monitors that are daisy-chained have a limit to the connectable monitors.

\*1: The device connected to USB2 can control the device connected to USB1.

Connected equipment	Connecting terminal	Setting in TERMINAL SETTINGS	Input signal name	Connecting audio terminal	Input button in remote control
AV	DVI	DVI MODE: DVI-HD	DVI	IN1/IN2	DVI
	HDMI IN1	VIDEO LEVEL: RAW/EXPAND*2	HDMI1	HDMI1	HDMI1
	HDMI IN2	VIDEO LEVEL: RAW/EXPAND*2	HDMI2	HDMI2	HDMI2
	DisplayPort IN1	VIDEO LEVEL: RAW/EXPAND*2	DisplayPort 1	DisplayPort 1	DisplayPort 1
	DisplayPort IN2	VIDEO LEVEL: RAW/EXPAND*2	DisplayPort 2	DisplayPort 2	DisplayPort 2
	VGA (RGB, YPbPr)	VGA MODE: RGB	VGA (RGB)	IN1/IN2	VGA (RGB/YPbPr)
	VGA (RGB, YPbPr)	VGA MODE: YPbPr	VGA (YPbPr)	IN1/IN2	VGA (RGB/YPbPr)
	VIDEO IN	—	VIDEO	IN1/IN2	VIDEO
PC	Option board slot (SLOT2)	VIDEO LEVEL: RAW/EXPAND*2	OPTION	OPTION (ANALOG/DIGITAL)*2	OPTION
	DVI	DVI MODE: DVI-PC/DVI-HD	DVI	IN1/IN2	DVI
	HDMI IN1	VIDEO LEVEL: RAW/EXPAND*2	HDMI1	HDMI1	HDMI1
	HDMI IN2	VIDEO LEVEL: RAW/EXPAND*2	HDMI2	HDMI2	HDMI2
	DisplayPort IN1	VIDEO LEVEL: RAW/EXPAND*2	DisplayPort 1	DisplayPort 1	DisplayPort 1
	DisplayPort IN2	VIDEO LEVEL: RAW/EXPAND*2	DisplayPort 2	DisplayPort 2	DisplayPort 2
	VGA (RGB, YPbPr)	VGA MODE: RGB	VGA (RGB)	IN1/IN2	VGA (RGB/YPbPr)
	VGA (RGB, YPbPr)	VGA MODE: YPbPr	VGA (YPbPr)	IN1/IN2	VGA (RGB/YPbPr)
VIDEO IN	—	VIDEO	IN1/IN2	VIDEO	
Option board slot (SLOT2)	VIDEO LEVEL: RAW/EXPAND*2	OPTION	OPTION (ANALOG/DIGITAL)*2	OPTION	

\*2: Please set appropriate setting for input signal.

## Connecting a Personal Computer

Connecting your computer to your LCD monitor will enable you to reproduce your computer's video signal output. Some display cards may not be able to support the required resolution for proper image reproduction. Your LCD monitor shows proper image by adjusting the factory preset timing signal automatically.

<Typical factory preset signal timing>

Resolution	Scanning frequency		VGA	DVI	HDMI		DisplayPort		Remarks
	Horizontal	Vertical			MODE1	MODE2	1.1a	1.2	
640 x 480	31.5 kHz	60 Hz	Yes	Yes	Yes	Yes	Yes	Yes	
800 x 600	37.9 kHz	60 Hz	Yes	Yes	Yes	Yes	Yes	Yes	
1024 x 768	48.4 kHz	60 Hz	Yes	Yes	Yes	Yes	Yes	Yes	
1280 x 720	45.0 kHz	60 Hz	Yes	Yes	Yes	Yes	Yes	Yes	
1280 x 768	47.8 kHz	60 Hz	Yes	Yes	Yes	Yes	Yes	Yes	
1280 x 800	49.7 kHz	60 Hz	Yes	Yes	Yes	Yes	Yes	Yes	
1280 x 960	60.0 kHz	60 Hz	Yes	Yes	No	No	No	No	
1280 x 1024	64 kHz	60 Hz	Yes	Yes	Yes	Yes	Yes	Yes	
1360 x 768	47.7 kHz	60 Hz	Yes	Yes	Yes	Yes	Yes	Yes	
1366 x 768	47.7 kHz	60 Hz	Yes	Yes	Yes	Yes	Yes	Yes	
1400 x 1050	65.3 kHz	60 Hz	Yes	Yes	Yes	Yes	Yes	Yes	
1440 x 900	55.9 kHz	60 Hz	Yes	Yes	Yes	Yes	Yes	Yes	
1600 x 1200	75.0 kHz	60 Hz	Yes	Yes	Yes	Yes	Yes	Yes	Compressed image
1680 x 1050	65.3 kHz	60 Hz	Yes	Yes	Yes	Yes	Yes	Yes	
1920 x 1080	67.5 kHz	60 Hz	Yes	Yes	Yes	Yes	Yes	Yes	Recommended resolution
1920 x 1200	74.6 kHz	60 Hz	Yes	No	Yes	Yes	Yes	Yes	Compressed image
1920 x 2160	133.3 kHz	60 Hz	No	No	Yes	Yes	Yes	Yes	Compressed image
3840 x 2160	65.7 kHz	30 Hz	No	No	No	No	Yes	Yes	Compressed image
3840 x 2160	67.5 kHz	30 Hz	No	No	Yes	Yes	No	No	Compressed image
3840 x 2160	133.3 kHz	60 Hz	No	No	No	Yes	No	Yes*	Compressed image
3840 x 2160	135.0 kHz	60 Hz	No	No	No	Yes	No	Yes*	Compressed image
4096 x 2160	54.0 kHz	24 Hz	No	No	Yes	Yes	No	No	Compressed image

\*: Only HBR2 is set.

- If you use with a Apple Macintosh® series computer device, set "Mirroring" to off on your device.  
Refer to your Apple Macintosh® series computer user's manual for more information about your computer's video output requirements and any special identification or configuration your monitor's image and monitor may require.
- Input TMDs signals conforming to DVI standards.
- To maintain the image reproduction quality, use a cable that conforms to DVI standards.

## Connecting a Player or Computer with HDMI

- Please use an HDMI cable with HDMI logo.
- It may take a moment for the signal to appear.
- Some display cards or drivers may not display an image correctly.
- When you use a computer with HDMI, please set OVER SCAN to "AUTO" or "OFF" (see page 34).
- Please check display card when image is compressed with 1920 x 1080.
- To output HDMI audio, set [HDMI1] or [HDMI2] at AUDIO INPUT in OSD or choose [HDMI1] or [HDMI2] by remote control AUDIO INPUT button.
- If the input resolution is 3840 x 2160 (60 Hz), please set MODE2 at HDMI in TERMINAL SETTINGS (See page 37).
- If the monitor's main power is turned on after a connected computer to the monitor is turned on, sometimes images are not displayed. In this case, please turn off the computer then turn it on again.

## Connecting a Computer with DisplayPort

- Please use DisplayPort cable with DisplayPort compliance logo.
- To use the DisplayPort out connector, please refer to Video out (See page 61).
- It may take a moment for the signal to appear.
- When connecting a DisplayPort cable to a component with a signal conversion adapter, an image may not appear.
- Select DisplayPort cables feature a locking function. When removing this cable, hold down the top button to release the lock.
- To output DisplayPort audio, set [DisplayPort1] or [DisplayPort2] at AUDIO INPUT in OSD or choose [DisplayPort1] or [DisplayPort2] by remote control AUDIO INPUT button.
- To display individual images at each connected monitors with the DisplayPort out connector, please set DisplayPort1.2 and MST at DisplayPort in the TERMINAL SETTINGS (See page 37).
- If the monitor's main power is turned on after a connected computer to the monitor is turned on, sometimes images are not displayed. In this case, please turn off the computer then turn it on again.

## Connecting a USB device with USB port

- USB1: USB downstream port (Type-A).  
Connect a USB compatible flash memory or keyboard to Down Stream Port.
- USB2: USB upstream port (Type-B).  
Connect to a USB compatible computer with a USB cable.  
A USB compatible computer connected to USB2 can control the devices connected to USB1.
- USB CM1 (2A): Power supply port.  
Please refer to the specifications page for power supply information (see pages 65, 66, 67, 68, 69 and 70).
- USB CM2: Service port.  
Please do not connect devices.
- USB MP: USB downstream port (Type-A).  
To use Media player function, please use this port.

- Please make sure about the connector shape and orientation when connecting the USB cable.
- Depending on the use of computer BIOS, OS or device, the USB function may not be working. In this case, please check user's manual of your computer or device, or contact your supplier for detailed information.
- Before turning off the main power switch of the monitor or shutting down Windows®, please turn off the USB function and remove the USB cable from the monitor. You may lose data when the computer crashes.
- It may take a few seconds until the monitor recognizes the USB input. Do not disconnect the USB cable or disconnect and reconnect the USB cable before the monitor recognizes the input.
- You can set power supply for USB CM1 (2A) at USB POWER in the OSD menu (see page 43).
- Please use a USB cable which supports 2A to USB CM1 (2A).
- Please refer to the USB in the OSD menu (See page 43) for the USB setting.

**NOTE:** USB CM1 (2A) and USB CM2 are not corresponding port.  
Please refer to the connection (See page 16) to connect USB devices to the monitor.

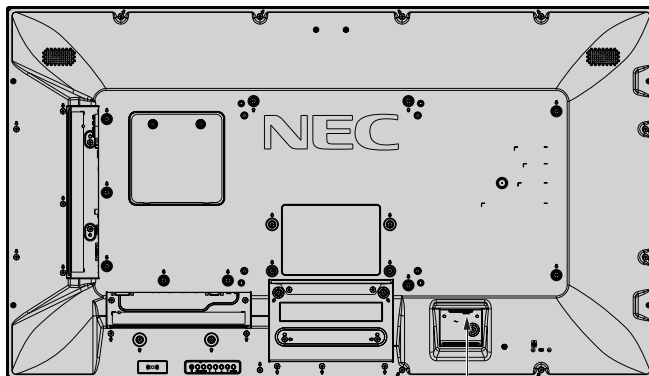


# Basic Operation

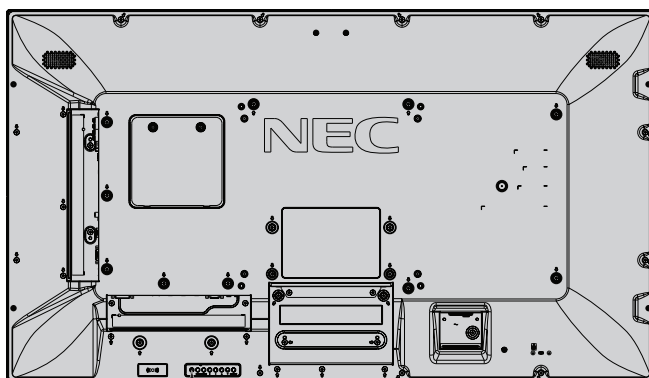
## Power ON and OFF Modes

The LCD monitor power indicator will turn blue while powered on.

**NOTE:** The Main Power switch must be in the ON position in order to power up the monitor using the remote control or the Power button.

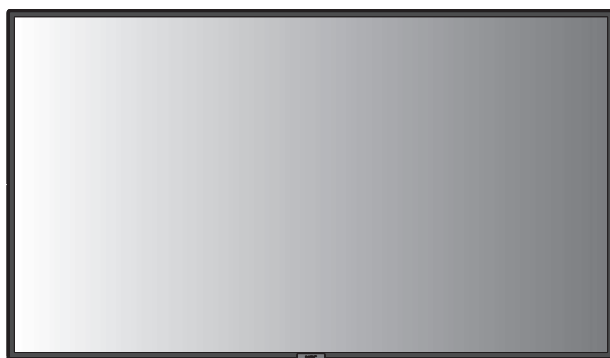


OFF — ON  
Main Power Switch

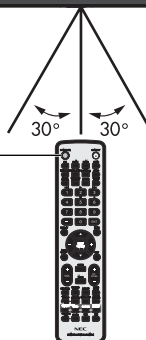


Power Button

Using the remote control



POWER ON button



## Power Indicator

LED indicator status and lighting pattern	Condition	Recovery
Glowing blue	Normal	
Blinking green*1	Meeting one of the conditions below when the monitor has been past a certain amount of time with no signal input which you set. <ul style="list-style-type: none"> <li>The monitor is with an option board.</li> <li>INPUT DETECT is set to a setting except for NONE.</li> <li>USB POWER is set to ON.</li> <li>DisplayPort is set to MST.</li> </ul>	1. Turn on the monitor by the remote control or the monitor button.  2. Send an AV signal input to the monitor.
Glowing amber	The monitor has been past a certain amount of time with [network signal input] + [no AV signal input which you set].	
Blinking amber	The monitor has been past a certain amount of time with [network signal input] + [no AV signal input which you set].	
Glowing red	Turn off the monitor by the remote control or the monitor button.	Turn on the monitor by the remote control or the monitor button.

\*1: Time setting for AUTO POWER SAVE is available at POWER SAVE (See page 40).

**NOTE:** If the indicator is glowing a combination of long and short in red, a certain failure might have occurred, please contact your supplier.

## Using Power Management

This LCD monitor follows the VESA approved DPM Display Power Management function.


The power management function is an energy saving function that automatically reduces the power consumption of the monitor when the keyboard or the mouse has not been used for a fixed period.


This allows your LCD monitor to enter a Power Management mode if the monitor's POWER SAVE function is set to ENABLE then a certain amount of time is past since the monitor recognized "no signal input". It will increase the life and decrease the power consumption of the monitor.

**NOTE:** Depending on the computer and display card used, this function may not operate. After the video signal was lost, the monitor automatically goes into OFF at a preset time period.

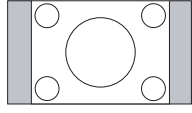
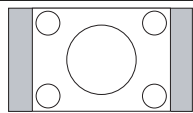
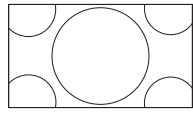
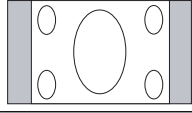
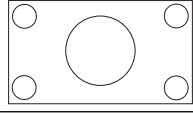
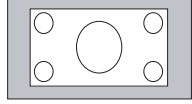
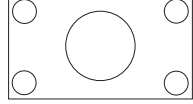
## Aspect

For MP, VIDEO  
 FULL → ZOOM → NORMAL  


For DVI, DisplayPort1, DisplayPort2, VGA (RGB), OPTION\*1  
 FULL → 1:1 → ZOOM → NORMAL  


For VGA (YPbPr), HDMI1, HDMI2  
 FULL → WIDE → DYNAMIC → 1:1 → ZOOM → NORMAL  


\*1: This function depends on which option board you are using.

Aspect ratio of image	Unchanged view*3	Recommended selection for picture aspect*3
4:3		NORMAL 
		DYNAMIC 
Squeeze		FULL 
Letterbox		WIDE 

\*3 Grey areas indicate unused portions of the screen.

**NORMAL:** Reproduces the aspect ratio that is sent from the source.

**FULL:** Fills the entire screen.

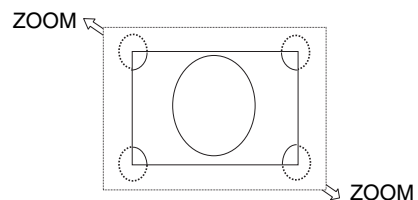
**WIDE:** Expands a 16:9 letter box signal to fill the entire screen.

**DYNAMIC:** Expands a 4:3 pictures to fill the entire screen with non-linearity. Some of the outside image area will be cut off due to expansion.

**1:1:** Shows the image in a 1 by 1 pixel format.

### ZOOM

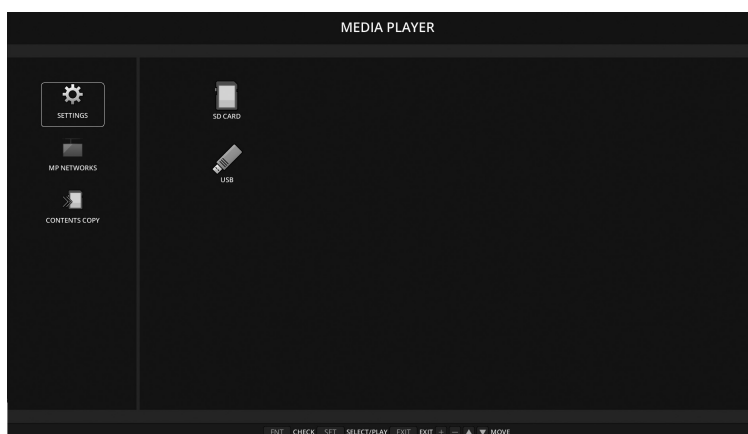
The image can be expanded beyond the active screen area. The image which is outside of the active screen area is not shown.



## Media Player

Plays saved data such as still, motion image, BGM and media package which is programmed with our authoring software in an USB storage device or a microSD memory card connected to this monitor.

### Top screen of the viewer



- Select [SETTINGS] to change the media player settings.
- While “AUTO PLAY” has been set to SLIDESHOW in SETTINGS, the monitor starts performing “AUTO PLAY” by the operation in below:
  - When the Media Player top screen is displayed on, a USB storage device is connected to the USB MP (Terminal Panel page 10) on the monitor.
  - When the Media Player screen is displayed on first time after powering ON the monitor in whom a USB storage device has been connected to the USB MP on the monitor.

For starting “AUTO PLAY”, the system will automatically search both the root directory and the folders in the subsequent hierarchy level in the USB storage device and then display found still images or movies in order. The images and movies will be displayed in the “Sorted” order.

**NOTE:** Only 1 USB storage device can be recognized by the viewer.  
1 to 4 shared folders can be set.

When the connection to the shared folder fails, an error message is displayed and an “x” is displayed in the folder icon. Carry out the following checks in this case.

- Is the name of the destination folder correct?
- Is the destination folder set for sharing?
- Have access rights been set in the destination folder?
- Are there any displayable files saved in the destination folder?

A window will appear when you press the control panel buttons while Media Player is active. You can select controlling OSD menu or Media Player by the appeared window.

If Media Player contents are played while TILE MATRIX is active, the image play timing might have a gap within monitors.

If you play a motion image with the monitor position as portrait, please use the motion image which is rotated anticlockwise by 90°.

## Displayable/playable files

### Still

#### Supported formats

File extension	Supported
.jpg, .jpeg, .jpe	Baseline, Progressive, RGB, CMYK
.png	Interlace, $\alpha$ channel

### Motion image

#### Supported formats

File extension	Video codec	Audio codec
.mpg, .mpeg	MPEG1, MPEG2	MPEG Audio Layer2, MPEG Audio Layer3, AAC-LC (Abbreviation: MP2/MP3/AAC)
.wmv	H.264, WMV Advanced@L3, WMV Simple & Main	MP3, WMV Standard
.mp4	H.264	MP3, AAC
.mov	H.264	MP3, AAC
.flv, .f4v	H.264	MP3, AAC

## BGM

### Supported formats

File extension	Audio codec
.wav	LPCM
.mp3	MP3

### Information

Item	Conditions	
Resolution	JPEG	5000x5000
	PNG	4000x4000
	MPEG1	480@30fps
	MPEG2	MP@ML, MP@HL, 1080p@30fps / 1080i@60fps
	H.264	High profile Lv.4.2, 1080p@30fps / 1080i@60fps
	WMV	Advanced@L3, Simple&Main
Video bit date	-	Up to 15Mbps
Audio sampling rate	-	Up to 48KHz
Audio bit rate	MP2	Up to 384Kbps
	MP3	Up to 320Kbps
	AAC	Up to 1440Kbps

**NOTE:** Depending on the file, you cannot play it even when it satisfies all above mentioned conditions.  
Depending on network environments, a type of the USB storage device, and file bitrate, it may occur that images cannot be played properly.  
You cannot play DRM files (Digital Right Management files).

### MEDIA PACKAGE

This function plays contents data which is programmed with our authoring software.  
Please save the contents data to a USB storage device or a microSD memory card.  
Please select a contents with “.sch” extension to play.

Please refer to the authoring software user’s manual for the format of Media package.  
Visit our web site for downloading authoring software and its user’s manual.

**NOTE:** Contents schedule works based on the DATE & TIME setting of the monitor.  
If you change the DATE & TIME setting while a content is playing, please finish playing the contents once.  
When starts displaying the contents again, the contents schedule follows changed DATE & TIME setting. Date display format is changing what you set at LANGUAGE. If you change the LANGUAGE setting while contents is displaying, please do the same strategy as you change the DATE & TIME setting.

### Compatible microSD memory card

Format a microSD memory card in the FAT32 format or FAT16 format.  
Refer to the Windows® instruction user’s manual or Help file on how to format a microSD memory card.

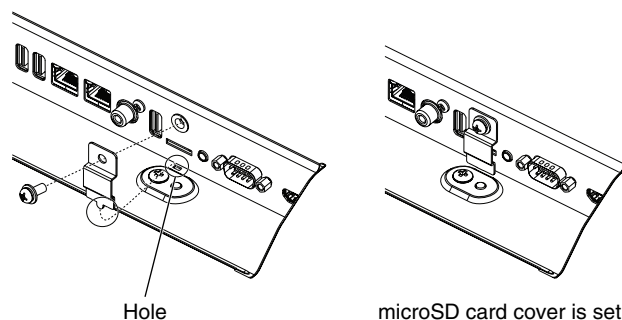
### Information

Up to 32GB microSDHC is supported.

**NOTE:** It is not guaranteed to work with all microSD memory card sold commercially.  
microSD with CPRM is not supported.  
microSD UHS-1 or UHS-2 are not supported.

### Installing microSD card slot cover

To secure your microSD memory card, we recommend you to install the microSD card slot cover.  
Please insert the edge of the microSD card cover to the whole. (Recommended Fasten Force: 139 - 189N•cm).



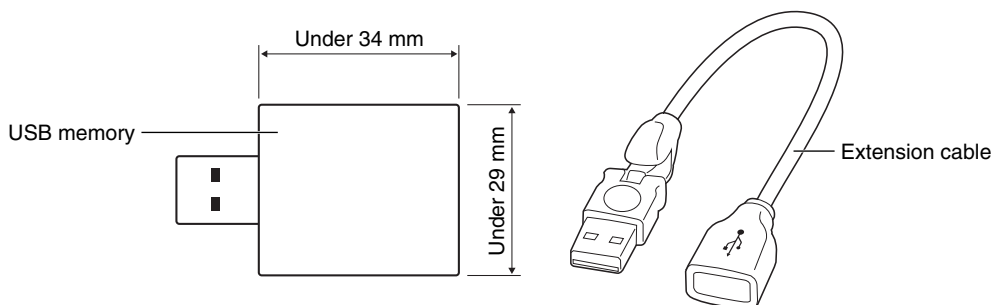
### Compatible USB memory

This device cannot recognize USB memory formatted in the NTFS format. Check the format if this device cannot recognize the connected USB memory.

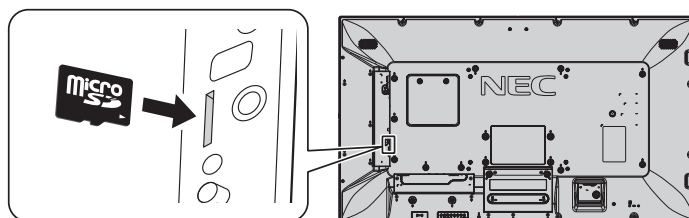
Format a USB memory in the FAT32 format or FAT16 format for using it in the Media Player. Refer to the Windows® instruction user's manual or Help file on how to format a USB memory.

Please use a USB memory which is under 29 mm x 34 mm.

If using larger size of USB memory than we mentioned, please use a USB cable extension.



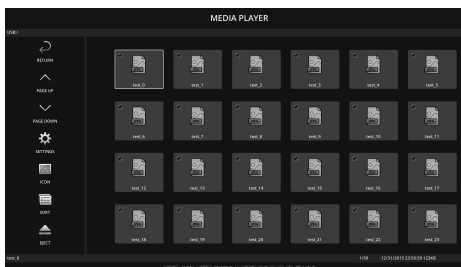
**NOTE:** It is not guaranteed to work with all USB memories sold commercially. Please set USB memory to USB MP (See page 18).



- When inserting a microSD memory card, please make sure of the microSD memory card direction then insert it correctly.
- When ejecting a microSD memory card from the microSD card slot, press the center of the microSD memory card then take it out.

### File display screen

The files can be displayed using either icons or thumbnails in the Media Player.



Icon display

	RETURN	Goes back one subsequent level higher.
	PAGE UP	Displays a list of the previous files.
	PAGE DOWN	Displays a list of the next files.
	SETTINGS	Displays the setting screen.
	THUMBNAILS/ICON	Switches between thumbnail display and icon display.
	SORT	Changes the order to display files by name (filename), type (file extension), date (date of creation), or size (file capacity). The default sorting order is by "Name".
	EJECT	Removes the USB storage device or the microSD memory card inserted to the monitor. Please select EJECT when file list is displayed.

**NOTE:** The maximum number of files can be displayed in a folder including folder icons is 300. A folder hierarchy is shown up to level 16. The icon of a file whose type cannot be determined is indicated by a "?". Depending on the file, thumbnail cannot be displayed.

## Slideshow display

- Select a folder, in which is saved image or movie.
- A slideshow can be displayed using “MANUAL” in which the images are switched by operating a button on the remote control, or “AUTO” in which the images are switched automatically at a set interval (PLAY MODE is “AUTO”).
- The default factory setting is “MANUAL”. To perform “AUTO”, set the “PLAY MODE” to “AUTO”.
- The images will be displayed in the order selected under “Sort” on the file display screen.
- When still images in high resolutions are displayed as the Slideshow, it may back to the file display screen.

## Media Player settings

Select the  icon in the file list screen or top screen of the Media Player to display the configuration screen of the Media Player.

The following settings can be configured on the configuration screen.

### SLIDESHOW

Menu	Function
SCREEN SIZE	Selects ACTUAL SIZE or BEST FIT.
PLAY MODE	Selects AUTO or MANUAL.
INTERVAL	Sets interval time.
REPEAT	Check the check box to repeat slideshow.
AUDIO FILE	Selects an audio file.
BGM	Check the check box to enable BGM.
PLAY END SCREEN	Selects a setting after slideshow is down.
	BLACK SCREEN: After slideshow has been done, black is displayed on the screen.
	FILE LIST: Gets back to the file list screen.
	SAVE LAST SCREEN: The last slideshow image is kept on the screen.

### MEDIA PACKAGE

Menu	Function
SCREEN SIZE	Selects ACTUAL SIZE or BEST FIT.
INTERLOCK POWER	Check the check box to enable the monitor to be turned ON or STANDBY by the media package schedule. If the POWER SAVE is set to DISABLE, even if a content stops playing by a media package schedule, the monitor does not go into standby mode.
PLAY END SCREEN	Selects a setting after slideshow is down.
	BLACK SCREEN: After slideshow has been done, black is displayed on the screen.
	FILE LIST: Gets back to the file list screen.

### AUTO PLAY

Automatically displays selected folder when the monitor is turned on the select MP as input.

Menu	Function
AUTO PLAY	OFF: Automatic play mode is off.
	SLIDESHOW: Automatically plays a selected file.
FOLDER	Select a file.

### PRESET CONTENTS

Plays selected folder when the monitor has no signal input.

Menu	Function
ENABLE	Check the check box to enable preset contents.
FOLDER	Select a file.

Please press OK to activate above settings.

If OK is not pressed, settings that you set are not activated.

## NETWORK & OTHER SETTINGS

Below settings are for network setting and shared folder setting for media player.

To set the settings, press SET/POINT ZOOM button of the remote control on the [NETWORK & OTHER SETTINGS].

### NETWORK SETTINGS for MEDIA PLAYER

Menu	Function
IP SETTING	Set these settings.
IP ADDRESS	
SUBNET MASK	
DEFAULT GATEWAY	
DNS	
DNS PRIMARY	
DNS SECONDARY	

NETWORK INFORMATION for MEDIA PLAYER displays what you set at NETWORK SETTINGS for MEDIA PLAYER.

### SHARED FOLDER

There are two items that you can set for shared folder.

Please press SET/ZOOM button of the remote control on a setting item.

- SHARED SD CARD SETTINGS

Folders saved in a computer which is on a network can be copied to the connected microSD memory card by controlling browser of the connected computer.

Menu	Function
ENABLE	Check the checkbox to enable SHARED SD CARD SETTINGS.
USER NAME	USER NAME is displayed. It is not the same name as the monitor name and it is not changeable.
PASSWORD	Set password.

Please press OK to activate settings in the SHARED SD CARD SETTINGS.

If OK is not pressed, settings that you set are not activated.

- SHARED FOLDER SETTINGS.

Folders saved in a computer which is on a network can be copied to the connected microSD memory card by controlling the monitor.

Menu	Function
ENABLE	Check the checkbox to enable SHARED FOLDER SETTINGS.
SHARED FOLDER	Set an IP address which a copied data to be saved.
USER NAME	Set USER NAME which is used when connecting the monitor to the shared folder.
PASSWORD	Set password.



Please press OK to activate settings in the SHARED FOLDER SETTINGS.

If OK is not pressed, settings that you set are not activated.

### SHIFT NO SIGNAL

This setting is for a situation when the monitor detects no signal input. If ENEBLE is ticked, the monitor goes to no signal status.

The monitor detects no signal when the monitor is in the following conditions:

- After contents or images are played.
- While the monitor is displaying USB  window or SD CARD  window.

Menu	Function
ENABLE	Check the checkbox to enable SHIFT NO SIGNAL.
INTERVAL	Set the time when the monitor goes into no signal after displayed detected items.

Please press OK to activate settings in the SHIFT NO SIGNAL.

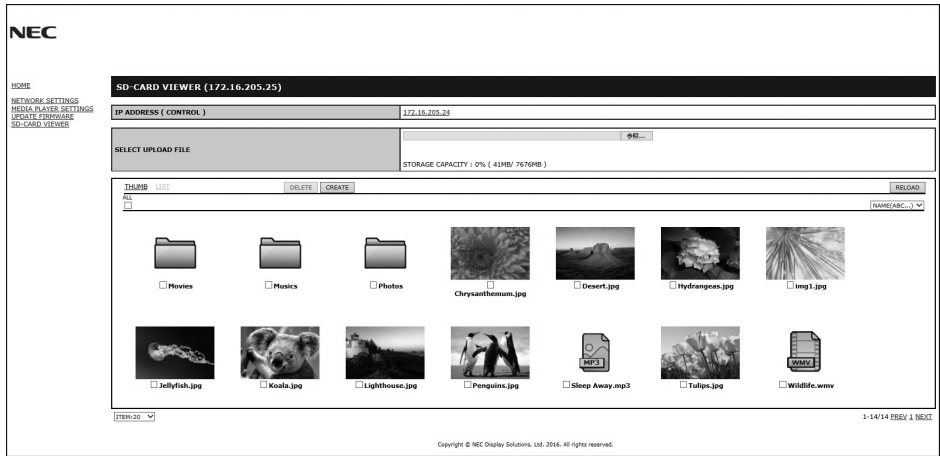
If OK is not pressed, settings that you set are not activated.

# Using SHARED SD card SETTINGS

You can copy the data such as motion image or still from a computer which is connected to the monitor to a microSD memory card.

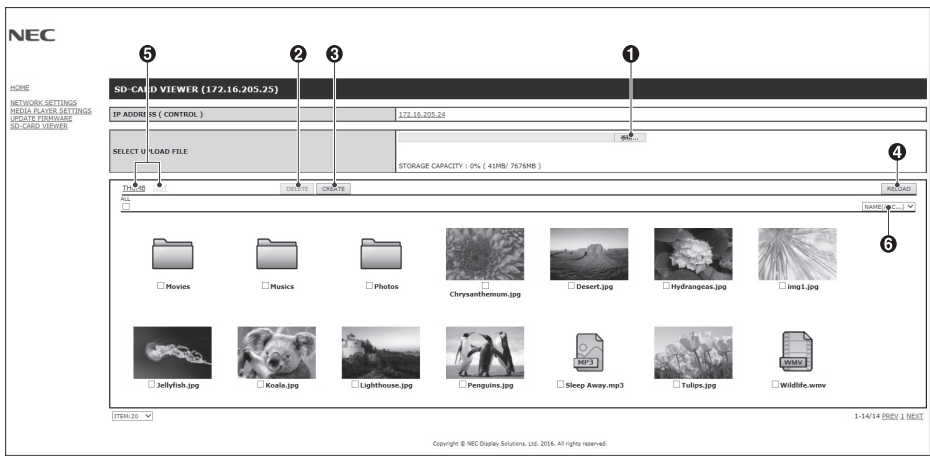
Please set NETWORK SETTINGS for MEDIA PLAYER (See page 25) first to copy data.

**NOTE:** When the monitor is copying a folder, the LED indicator blinks in red. When the monitor is in this condition, do not eject a microSD memory card from the monitor or do not turn off the monitor's main power. It may occur data damage to the memory saved in the microSD memory card. If you press STANDBY button on the remote control or POWER button on the monitor while the LED indicator is blinking in red, the monitor goes to standby after completed folder copy. Files which you can copy are still, motion image and BGM only. You cannot copy media package contents.



## Setting procedure

1. Open Monitor LAN control of the connected monitor then select SD-CARD VIEWER.
2. Select SEARCH to display monitor ID ADDRESS which monitor's network is on the same network as the monitor.
3. Select connected monitor's IP ADDRESS to the monitor.
4. Enable upload, delete and sort files that are saved in microSD memory card connected to the monitor.



## Function

### 1. SELECT UPLOAD.

Press SELECT then choose the files to be copied to the microSD memory card.

File upload window appears and shows selected files.

Once OK is selected, file uploading gets started.

**NOTE:** Please check microSD memory card storage capacity before copying files.

STORAGE CAPACITY shows the connected microSD memory card capacity.

### 2. DELETE.

Select files or folders.

DELETE FOLDERS/FILES window appears.

Once OK is selected, selected files or folders are deleted.

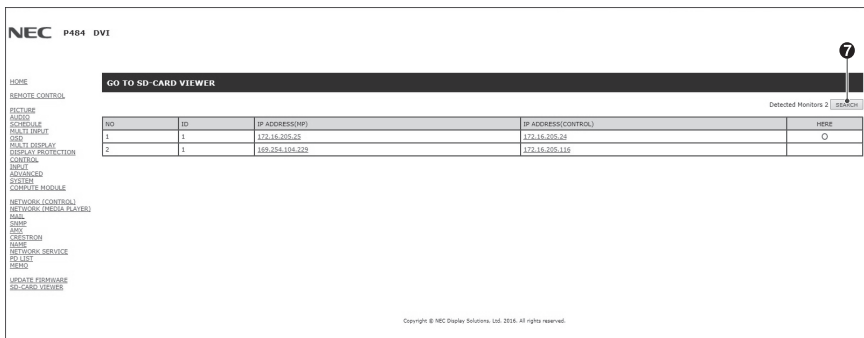
### 3. CREATE.

A new folder is created in the microSD memory card connected to the monitor.

Insert folder name and select OK. A maximum of 255 alphanumeric characters is allowed.



4. RELOAD.  
Updates microSD memory card data.
5. THUMB/LIST.  
The files can be displayed using either icons or thumbnails.  
Displays description of the file or folder if you select thumb name or file name.
6. SORT.  
Select sort type. The folders saved in the microSD are sorted based on what you selected in sort type.



7. Connect to the other monitor's SD-CARD VIEWER then open them.  
By selecting SEARCH, displays the other monitor's IP ADDRESS which is on the same network as the monitor is.  
Select Open new tab by right click or select Open new window by left click.

## Using CONTENTS COPY

You can copy the all data saved in a USB storage device or saved in a shared folder which is set in the connected computer or a server to a microSD memory card.

For copying shared folder data, please set SHARED FOLDER SETTINGS (See page 25) first.

1. Select CONTENTS COPY at the top screen of the Media Player.
2. Select a USB storage device or a folder.
3. Select OK to start copying. All data saved in the folder or device is copied to the microSD memory card then the original data saved in the microSD memory card is deleted.

**NOTE:** “Out of disk space” is displayed if microSD memory card storage capacity is not enough to copy selected folders. When contents copy has occurred, previous data that was saved in the microSD memory card is deleted. Only devices connected to the monitor are shown. When the monitor is copying a folder, the LED indicator blinks in red. When the monitor is in this condition, do not eject a microSD memory card from the monitor or do not turn off the monitor's main power. It may occur data damage to the memory saved in the microSD memory card. If you press STANDBY button on the remote control or POWER button on the monitor while the LED indicator is blinking in red, the monitor goes to standby after completed folder copy.

## Using Emergency contents

In case of emergency, by sending a command to the monitor from a computer which is connected to the monitor, the emergency contents folder will be played. Please create an EMERGENCY CONTENTS folder as a route folder in a microSD memory card which is connected to the monitor.

Instructions for the EMERGENCY CONTENTS can be found on the CD included with the monitor. The file is called “External\_control.pdf”.

## Information OSD

The Information OSD provides information such as: Input Source, Picture Size, etc. Press the DISPLAY button on the remote to bring up the Information OSD.

⑥ MONITOR ID: 1  
 IP ADDRESS: 192.168.0.10  
 DVI  
 AUDIO:IN1  
 ASPECT:FULL  
 1024 X 768  
 48KHz/60Hz  
 HDMI2  
 1360x768  
 48.0kHz/60.0Hz

- ① Input name
- ② Audio input name
- ③ Picture aspect
- ④ Input Signal Information
- ⑤ Multi picture information
- ⑥ Communication Info

# Picture Mode

Depending on the setting of SPECTRAVIEW ENGINE in the OSD PICTURE (see page 34), the selection choices for the Picture Mode are different.

## SPECTRAVIEW ENGINE is set to “ON”:

Selects five different picture modes, either via the OSD menu item PICTURE MODE, or using the PICTURE MODE button on the wireless remote control.

### Select the Picture Mode with the wireless remote control

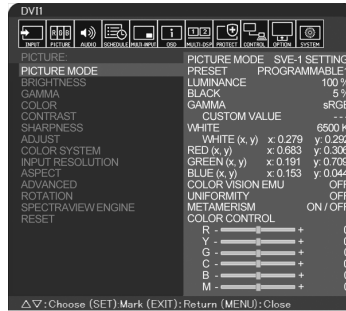
By pressing the Picture Mode button, the picture mode changes.

SVE-1 → SVE-2 → SVE-3 → SVE-4 → SVE-5



### Select or change the Picture Mode in the OSD menu item PICTURE MODE

Selects a setting from SVE-1 to SVE-5. By pressing the SET button again you can set below menus.



Choose the Picture Mode that is most suitable for the type of content that is shown.

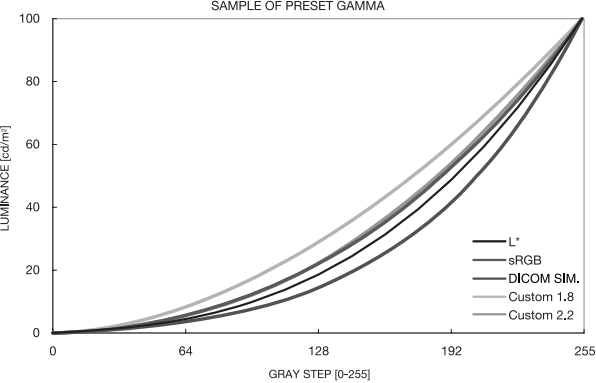
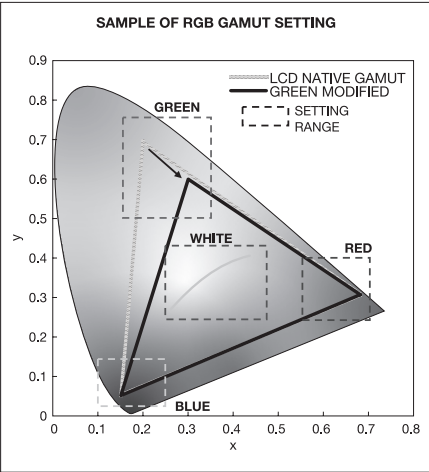
- Several modes are selectable (sRGB, Adobe®RGB SIM., eciRGB\_v2 SIM., DCI SIM., REC-Bt709, HIGH BRIGHT, FULL, DICOM SIM, PROGRAMMABLE).
- Each PICTURE MODE includes LUMINANCE, WHITE, GAMMA, BLACK, RED, GREEN, BLUE, COLOR VISION EMU, UNIFORMITY and METAMERISM settings.

## PRESET Types

PRESET	PURPOSE
<b>sRGB</b>	The standard color space used for the Internet, Windows® operating systems and digital cameras. Recommended setting for general color management.
<b>Adobe®RGB SIM.</b>	Provides a standard color space used in high-end graphics applications such as professional digital still cameras and imaging.
<b>eciRGB_v2 SIM.</b>	Provides a color space profile recommended by ECI (The European Color Initiative).
<b>DCI SIM.</b>	Color setting for digital cinema.
<b>REC-Bt709</b>	Color setting for High-definition television.
<b>HIGH BRIGHT</b>	Highest brightness setting.
<b>FULL</b>	Native LCD panel color gamut. Suitable for use with color managed applications.
<b>DICOM SIM.</b>	Setting that conforms to the DICOM standard for the Grayscale Standard Display Function.
<b>PROGRAMMABLE</b>	For the Hardware Calibration by NEC Display Solutions GammaCompMD QA software (some OSD settings are disabled).

MODE	PURPOSE
LUMINANCE	Adjusts the overall image and screen background brightness. Press “LEFT” or “RIGHT” to adjust.
WHITE	Adjusts the white color by temperature or x, y setting. A lower color temperature will result in a reddish screen and a higher color temperature in a bluish screen. A larger x value will result in a reddish screen, a larger y value changes the screen to greenish, and smaller x,y values will change the screen to bluish white.

White Temperature (K)	x	y
15000K	~0.25	~0.25
5000K	~0.35	~0.35
3000K	~0.45	~0.40

<p><b>GAMMA</b></p>	<p>Allows you to manually select the brightness level of grayscale. There are five selections: sRGB, L STAR, DICOM SIM. and CST. We recommend to show grayscale image data on screen.  sRGB: GAMMA setting for sRGB.  L STAR: GAMMA setting for the CIELAB color space Lab.  DICOM SIM.: DICOM GSDF (Grayscale Standard Display Function) is typically used for medical imaging.  CST: CUSTOM VALUE can be adjusted when CST is selected as the GAMMA SELECTION setting.  CUSTOM VALUE: The gamma value is selected from the range from 0.5 to 4.0 in 0.1 steps.</p> 
<p><b>BLACK</b></p>	<p>Adjusts the black luminance.</p>
<p><b>RED GREEN BLUE</b></p>	<p>Adjusts the color gamut.</p> 
<p><b>COLOR VISION EMU</b></p>	<p>Previews various typical human vision deficiencies and is useful for evaluating how people who have such deficiencies will perceive colors. This preview is available in four modes: Types P (Protanopia), D (Deuteranopia) and T (Tritanopia) emulate color vision dichromacy, and Grayscale can be used for evaluating contrast legibility.  NOTE: Depending on the vision of the user, including those with color vision deficiency, there will be a variation in how the screen's color is seen and experienced.  A simulation is used to illustrate the view of those with a color vision deficiency. It is not their actual view. The simulation is a reproduction of those with a strong color vision mode of type P, type D or type T. People with a slight color vision deficiency will experience little to no difference compared to those with normal color vision.</p>
<p><b>UNIFORMITY*1</b></p>	<p>This function electronically compensates the slight variations in the white uniformity level as well as deviations in color that may occur throughout the screen area. These variations are characteristic of LCD panel technology. This function improves the color reproduction and evens out the non-uniformity in luminance of the monitor.  NOTE: A higher number produces a better effect, but may also reduce the contrast ratio.</p>
<p><b>METAMERISM</b></p>	<p>Compensates the visual color difference with other monitors.  If you prefer to get the color reproduction to be closer to the Picture Mode setting, set this function to OFF.</p>

\*1: Except for V404, V484, V554.

- NOTE:**
- When the selected PICTURE MODE is different from your computer's ICC color profile, you may experience inaccurate color reproduction.
  - MultiProfiler software, developed by NEC Display Solutions, is highly recommended to provide extended color management features such as ICC profile Emulation and Printer Emulation. The latest MultiProfiler software is available on the NEC Display Solutions website.

**SPECTRAVIEW ENGINE is set to “OFF”:**

Selects five different picture modes, either via the OSD menu item PICTURE MODE, or using the PICTURE MODE button on the wireless remote control.

For DVI, DisplayPort1, DisplayPort2, OPTION\*, VGA (RGB), HDMI1, HDMI2  
STANDARD → sRGB → CINEMA → CUSTOM1 → CUSTOM2 → HIGHBRIGHT  
↑

For VGA (YPbYr), VIDEO, MP  
STANDARD → CINEMA → CUSTOM1 → CUSTOM2 → HIGHBRIGHT  
↑

**PRESET types**

PRESET	PURPOSE
HIGH BRIGHT	Highest brightness setting.
STANDARD	Standard setting.
sRGB	The standard color space used for the Internet, Windows® operating systems and digital cameras. Recommended setting for general color management.
CINEMA	A setting that boosts dark tones; best suited for movies.
CUSTOM	Activates the auto dimming function.

\*: This function depends on which option board you are using.

# OSD (On-Screen-Display) Controls

**NOTE:** Some functions may not be available depending on the model or optional equipment.

The screenshot shows the OSD menu with the following structure:

- Input source:** HDMI1
- Main Menu Icons:** INPUT, PICTURE, AUDIO, SCHEDULE, MULTINPUT, OSD, MULTISBP, PROTECT, CONTROL, OPTION, SYSTEM
- Main Menu Item:** PICTURE: PICTURE MODE
- Sub Menu:**
  - BRIGHTNESS
  - GAMMA
  - COLOR
  - CONTRAST
  - SHARPNESS
  - ADJUST
  - COLOR SYSTEM
  - INPUT RESOLUTION
  - ASPECT
  - ADVANCED
  - ROTATION
  - SPECTRAVIEW ENGINE
  - RESET
- Adjustment Settings:**
  - PICTURE MODE
  - PRESET
  - LUMINANCE
  - BLACK 5%
  - GAMMA sRGB
  - CUSTOM VALUE ---
  - WHITE 6500 K
  - WHITE (x, y) x: 0.279 y: 0.292
  - RED (x, y) x: 0.683 y: 0.306
  - GREEN (x, y) x: 0.191 y: 0.709
  - BLUE (x, y) x: 0.153 y: 0.044
  - COLOR VISION EMU OFF
  - UNIFORMITY OFF
  - METAMERISM ON/OFF
  - COLOR CONTROL
  - R - 0
  - Y - 0
  - G - 0
  - C - 0
  - B - 0
  - M - 0
- Key Guide:**
  - ▲:Select
  - ⊕:Goto Adjustment
  - ⏏:Return
  - ⌂:Close

**Remote Control**

Press UP or DOWN button to select sub-menu.

Press SET/POINT ZOOM.

Press UP or DOWN, PLUS or MINUS to select the function or setting to be adjusted.

Press MENU or EXIT.

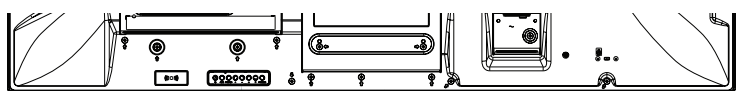
**Control Panel**

Press UP or DOWN button to select.

Press INPUT button to decide.

Press UP or DOWN, PLUS or MINUS button to select.

Press EXIT



**Control Panel**

**OSD screen**

## Setting

INPUT	
DVI	Select input signal.
HDMI1	
HDMI2	
DisplayPort1	
DisplayPort2	
VGA (RGB/YPbPr)	
VIDEO	
MP	Displays images or movies saved in microSD memory card or USB storage device. Please refer to the Media Player setting (See page 21).
OPTION*3	Select input signal.
PICTURE	
PICTURE MODE	Select picture mode: SpectraView Engine = OFF: [HIGHBRIGHT], [STANDARD], [sRGB], [CINEMA], [CUSTOM1], [CUSTOM2]. SpectraView Engine = ON: [SVE-1 SETTINGS], [SVE-2 SETTINGS], [SVE-3 SETTINGS], [SVE-4 SETTINGS] or [SVE-5 SETTINGS]. See page 28. NOTE: If WHITE is set to NATIVE when the SPECTRAVIEW is ON, WHITE is not functioning. To be able to set the CUSTOM VALUE, please set CST at GAMMA.
BRIGHTNESS*1	
BACKLIGHT	Adjusts the overall image and background brightness. Press + or - to adjust. NOTE: When MODE1 or MODE2 is selected in ROOM LIGHT SENSING, this function cannot be changed.
BRIGHTNESS*2	Adjusts the image brightness in relationship to the background. Press + or - to adjust.
GAMMA*1, *2	Select a monitor gamma correction for best picture quality. Selection depends on the desired usage.
NATIVE	Gamma correction is handled by the LCD panel.
2.2	Typical monitor gamma for use with a computer.
2.4	Good for video (DVD, etc.)
S GAMMA	Special gamma for certain types of movies. Raises the dark parts and lowers the light parts of the image (S-Curve).
DICOM SIM.	DICOM GSDF curve simulated for LCD type.
PROGRAMMABLE1, 2, 3	A programmable gamma curve can be loaded using optional NEC software.
COLOR*2	
COLOR	Adjusts the color depth of the screen. Press + or - to adjust.
COLOR TEMPERATURE*1	Adjusts the color temperature of the entire screen. A low color temperature will result in a reddish screen. A high color temperature will make the screen bluish. If TEMPERATURE needs further adjustment, the individual R/G/B levels of the white point can be adjusted. To adjust the R/G/B levels, set CUSTOM as COLOR TEMP selection. NOTE: Predefined 6500k is set as picture mode, a color temperature of 6500k is predefined so it cannot be changed. When PROGRAMMABLE1, PROGRAMMABLE2 or PROGRAMMABLE3 is selected in GAMMA CORRECTION, this function cannot be changed.
COLOR CONTROL	Adjusts the hue of the Red, Yellow, Green, Cyan, Blue and Magenta.
HUE MP, VIDEO inputs only	Adjusts the hue of the screen. Press + or - to adjust.
CONTRAST*1, *2	Adjusts the image brightness in relationship to the input signal. Press + or - to adjust.
SHARPNESS*1	Adjusts the crispness of the image. Press + or - to adjust.

\*1: If SPECTRAVIEW ENGINE is ON, this function is grayed out.

\*2: This function is not available when sRGB is selected at PICTURE MODE.

\*3: When you select OPTION for signal input, this function depends on which option board you are using.

<b>ADJUST</b>		
<b>AUTO SETUP</b> VGA (RGB) input only	Automatically adjusts Screen Size, H position, V position, Clock, Phase and White Level.	
<b>AUTO ADJUST</b> VGA (RGB) input only	H Position, V Position and Phase are adjusted automatically when new timing is detected.	
<b>H POSITION</b> VGA (RGB), VGA (YPbPr) inputs only	Controls the horizontal position of the image within the Display area of the LCD. Press + to move right. Press - to move left.	
<b>V POSITION</b> VGA (RGB), VGA (YPbPr) inputs only	Controls the vertical position of the image within the Display area of the LCD. Press + to move up. Press - to move down.	
<b>CLOCK</b> VGA (RGB) input only	Press + to expand the width of the image on the right of the screen. Press - to narrow the width of the image on the left.	
<b>PHASE</b> VGA (RGB), VGA (YPbPr) inputs only	Adjusts the visual "noise" on the image.	
<b>H RESOLUTION*1</b> VGA (RGB) input only	Adjusts the horizontal size of the image.	
<b>V RESOLUTION*1</b> VGA (RGB) input only	Adjusts the vertical size of the image.	
<b>COLOR SYSTEM</b> VIDEO input only		The selected Color System depends on the video format of the input signal.
<b>AUTO</b>	Automatically chooses Color System setting based on input signal.	
<b>NTSC</b>		
<b>PAL</b>		
<b>SECAM</b>		
<b>4.43 NTSC</b>		
<b>PAL-60</b>		
<b>INPUT RESOLUTION</b> VGA (RGB) input only		If there is a problem with signal detection, this function forces the monitor to display the signal at the desired resolution. After selection, execute "AUTO SETUP" if required. If no problem is detected, the only available option will be "AUTO".
<b>ASPECT</b>		Select the aspect ratio of the screen image. NOTE: When the ASPECT is set to DYNAMIC, the image will be changed to FULL image before IMAGE FLIP, then start to IMAGE FLIP. When the ASPECT is DYNAMIC or ZOOM, the image will be changed to FULL image before TILE MATRIX, then start to TILE MATRIX. After TILE MATRIX, the ASPECT will be returned previous ASPECT or set ASPECT during TILE MATRIX. If you change H POSITION and V POSITION settings with a reduced image, the image would not be changed. If SCREEN SAVER is set, the ASPECT setting automatically change to FULL from what you set. Once SCREEN SAVER is off then ASPECT setting will get back to the setting what you originally set. This function is not available when MOTION in SCREEN SAVER is active. When the ASPECT is set to DYNAMIC or ZOOM while TILE MATRIX is set to active, after releasing TILE MATRIX, DYNAMIC or ZOOM will be active. POINT ZOOM function has limitations, please refer to POINT ZOOM (See page 58). Zoom is also not available for an image with input resolution a 3840 x 2160 (60 Hz).
<b>NORMAL</b>	Shows the aspect ratio as it is sent from the source.	
<b>FULL</b>	Fills the entire screen.	
<b>WIDE</b>	Expands a 16:9 letter box signal to fill the entire screen.	
<b>DYNAMIC</b>	Expands 4:3 pictures to fill the entire screen with non-linearity image. Part of the outside image area will be cut off due to expansion.	
<b>1:1</b>	Shows the image in a 1 by 1 Pixel format. (If the input resolution is higher than a 3840 x 2160 resolution, the image will be scaled down to fit the screen.)	
<b>ZOOM</b>		The image can be expanded/reduced. NOTE: The expanded image, which is outside of the active screen area, is not shown. The reduced image may have some image degradation.
<b>ZOOM</b>	Maintains the aspect ratio while zooming.	
<b>HZOOM</b>	Horizontal zoom value.	
<b>VZOOM</b>	Vertical zoom value.	
<b>H POS</b>	Horizontal position.	
<b>V POS</b>	Vertical position.	

\*1: After setting this item individually, we recommend to run AUTO SETUP.

<b>ADVANCED</b>		
<b>OVER SCAN</b> HDMI1, HDMI2, VGA (YPbPr), VIDEO, MP, OPTION*1 inputs only	Some video formats may require different scanning modes in order to best display the image.	
ON	Image size is larger than what can be displayed. The image edge will appear cropped. Approximately 95% of the image will be shown on the screen.	
OFF	Image size stays within the display area. The whole image is displayed on the screen. NOTE: When you use a computer with HDMI out, please set "OFF".	
AUTO	Image size is set automatically. NOTE: This function is not available if input signal is VGA (YPbPr), VIDEO or MP.	
<b>DEINTERLACE</b>	Selects the IP (Interlace to Progressive) conversion function. NOTE: IMAGE FLIP is not available. When SUPER is selected in INPUT CHANGE and displayed, this function cannot be changed.	
ON	Converts interlaced signals to progressive. This is the default setting.	
OFF	Disables IP conversion. This setting is best suited for motion pictures, but increases the risk of image retention.	
<b>NOISE REDUCTION</b> VIDEO input only	Adjusts the amount of noise reduction. Press + or - to adjust.	
<b>TELECINE</b> HDMI1, HDMI2, VIDEO, VGA (YPbPr), MP inputs only	Automatically senses the sources frame rate for optimal picture quality. NOTE: Set DEINTERLACE ON if TELECINE is AUTO.	
<b>ADAPTIVE CONTRAST*2</b> HDMI1, HDMI2, VIDEO, VGA (YPbPr), MP inputs only	Sets the level of adjustment for dynamic contrast. If HIGH is set, the image is displayed clearly but it makes brightness unstable due to the wide gap of contrast variation.	
<b>ROTATION</b>	Shows the inverse image right-left, up-down or rotation. Press + or - to select. NOTE: This function is not available when MOTION in SCREEN SAVER is "ON".	
<b>IMAGE FLIP</b>	NOTE: When the ASPECT is set to DYNAMIC, the image will be changed to FULL image before ROTATE starts, then ROTATE will start to work. When selecting IMAGE FLIP (except for NONE), the following functions are disabled: MULTI PICTURE MODE, TEXT TICKER, STILL, POINT ZOOM and TILE MATRIX. When the input signal is interlaced, the image may be disturbed.	
NONE	Normal mode.	<b>AB</b>
H FLIP	The image inverts right-left.	<b>BA</b>
V FLIP	The image inverts up-down.	<b>VB</b>
180° ROTATE	The image rotates 180 degrees.	<b>VA</b>
<b>OSD FLIP</b>	Determines the OSD display direction. If "ON" is selected, the OSD will be inverted depending on the image status.	
<b>SPECTRAVIEW ENGINE</b>	Select "ON" to activate SPECTRAVIEW ENGINE (see page 28).	
<b>RESET</b>	Resets all "PICTURE" settings back to factory settings except for SPECTRAVIEW ENGINE and PICTURE MODE.	
<b>AUDIO</b>		
<b>VOLUME</b>	Increase or decrease output volume level.	
<b>BALANCE</b>		
<b>BALANCE</b>	Select STEREO or MONO for the audio output. If you select STEREO, adjust the L/R volume balance. Press the + button to move the stereo sound image to right. Press the - button to move the stereo sound image to left. NOTE: BALANCE is not available if MONO is set at STEREO/MONO.	
<b>SURROUND</b>	Artificial surround sound. NOTE: LINE OUT is disabled when this function is set to "ON".	

\*1: This function depends on which option board you are using.

\*2: If SPECTRAVIEW ENGINE is ON, this function is grayed out.



<b>EQUALIZER</b>	
TREBLE	To accentuate or reduce the high frequency range of audio signals. Press the + button to increase TREBLE. Press the - button to decrease TREBLE.
BASS	To accentuate or reduce the low frequency sound. Press the + button to increase BASS. Press the - button to decrease BASS.
AUDIO INPUT	Selects the audio input source: [DVI], [HDMI1], [HDMI2], [DisplayPort1], [DisplayPort2], [IN1], [IN2], [VIDEO], [MP], [OPTION]*1.
MULTI PICTURE AUDIO	Selects audio source. NOTE: This function depends on MULTI PICTURE setting.
LINE OUT	Selecting VARIABLE enables control of the line out level with the VOLUME button.
<b>AUDIO DELAY</b>	
AUDIO DELAY	Activate a delay time to output the audio signal. The DELAY TIME can be set between 0 and 100 milliseconds. Set to ON to activate this function.
DELAY TIME	
RESET	Resets all AUDIO options back to factory settings, except for VOLUME.
<b>SCHEDULE</b>	
SCHEDULE SETTINGS	Creates a working schedule for the monitor. By pressing ▲▼, + - buttons, set below settings. By Input change buttons of the monitor or SET/ZOOM button of the remote control, you can select the check box. NOTE: Please set DAY & TIME before set SCHEDULE SETTINGS. When SCHEDULE SETTINGS window is closed, schedule that you set is saved. When some schedules are set at same time, large SETTINGS number is given priority. If OFF TIMER is ON, SCHEDULE SETTINGS is not available. When you select invalid input signal or picture mode, it will display in red. While SCHEDULE SETTINGS window is open, schedule is not operated.
SETTINGS	Set ON to activate schedule. Maximum 30 schedules are set.
POWER	Setting for the monitor power. Please set ON or OFF for each schedule.
TIME	Set schedule operation time. If there is no specific time for the schedule, set [--].
INPUT	Set input signal for the schedule. To keep the input signal, which was chosen before schedule is operating, set [--]. When you set INPUT, please select ON at POWER.
PIC. MODE	Set picture mode for the schedule. To keep the picture mode, which was chosen before schedule is operating, set [--]. When you set PIC. MODE, please select ON at POWER.
	Select one item from below (only one item is available).
DATE	Select this setting if the schedule is for one day schedule or irregular schedules.
EVERY DAY	Select this setting if the schedule is repeating everyday.
EVERY WEEK	Select this setting if the schedule is repeating everyweek.
WEEKDAY	Select this setting if the schedule is on a week day. This item is set by the WEEKEND and the HOLIDAY settings. The date which is not selected at WEEKEND and HOLIDAY settings are set as weekday.
WEEKEND	Select this setting if the schedule is on a weekend. Schedule operates on the date that is set at WEEKEND SETTINGS.
HOLIDAY	Schedule operates on the date that is set at HOLIDAY SETTINGS.
SCHEDULE LIST	List of working schedules. Displays up to 30 schedules from present time.
<b>HOLIDAY SETTINGS</b>	
No.	Creates holiday schedule for the monitor.
YEAR MONTH WEEK DAY	Set YEAR and MONTH. Select DAY or WEEK. DAY: Set a day. WEEK: Set a week and the day of the week. If you set [--] at MONTH or YEAR, every month or year of the day you set is set as a holiday.
END DAY	Set the end of holiday date. If your schedule beyond year, please separate the schedule per year. NOTE: If DAY is not set, END DAY is not available. If your holiday setting is including [--] at year or month, END DAY is not available.
SET/DELETE	Sets or deletes a schedule.
<b>WEEKEND SETTING</b>	
WEEKEND	Set the day of the week.

\*1: This function depends on which option board you are using.

DATE & TIME	Sets the date, time, and daylight saving region. Date & time must be set in order for the "SCHEDULE" function to operate. See page 35. NOTE: If the monitor's main power has been turned off then two week hasn't been turned on, DATE & TIME setting is back to default setting and clock function stops working. When turn on the monitor after clock function stops, the LED indicator glows red and blue. This indicates that the clock function is back to default setting. Please set DATE & TIME again.
YEAR	Sets the year for the real-time clock.
MONTH	Sets the month for the real-time clock.
DAY	Sets the day for the real-time clock.
TIME	Sets the time for the real-time clock.
CURRENT DATE TIME	Shows current date and time.
DAYLIGHT SAVING	Sets daylight savings on or off. NOTE: Please set the TIME & DATE setting first if you change the DAYLIGHT SAVING setting.
DAYLIGHT SAVING	If ON is selected, please set daylight saving settings below.
BEGIN MONTH	Set daylight saving beginning date.
END MONTH	Set daylight saving ending date.
TIME DIFFERENCE	Set the time difference.
OFF TIMER	Set the monitor to power off after a pre-set time period. A time period between 1 to 24 hours may be set. NOTE: SCHEDULE is not available if OFF TIMER is ON.
RESET	Resets the following settings within the SCHEDULE menu back to factory setting: DATE & TIME and DAYLIGHT SAVING.
<b>MULTI INPUT</b>	
KEEP MULTI PICTURE MODE*1	Allows the monitor to remain in MULTI PICTURE and TEXT TICKER mode after powering off. When Power is returned, MULTI PICTURE and TEXT TICKER appear without having to enter the OSD.
MULTI PICTURE MODE*1, *3	
MULTI PICTURE	When "OFF" is selected, one picture is displayed. When "ON" is selected, several pictures are displayed. Select PIP or PBP. NOTE: When TEXT TICKER, CLOSED CAPTION, TILEM ATRIX, MOTION in SCREEN SAVER, IMAGE FLIP, except for NONE, INPUT SUPER in INPUT CHANGE is released.
ACTIVE PICTURE*1, *2	
ACTIVE	When MULTI PICTURE is "OFF", [PICTURE 1] is the Active Picture. When MULTI PICTURE is "ON", sets Active Picture. NOTE: This function depends on MULTI PICTURE setting.
ACTIVE FRAME	The active picture is shown within a red frame.
INPUT SELECT*1, *2, *3	Selects the Multi Picture input. Press the + button or - button to select the input. NOTE: This function is not available when MULTI PICTURE is "OFF". When changing input signal for the active picture, after selecting an input press SET.
PICTURE1	
PICTURE2	
PICTURE SIZE*1, *2, *4	Sets the Active Picture size. Press the SET/POINT ZOOM button to adjust the picture size. Press + or CH+ to expand. Press - or CH- to reduce.
PICTURE POSITION*1, *2, *4	Sets the Active Picture location. Pressing the + button moves the Active Picture to the right, and pressing the - button moves it to the left. Pressing the ▲ button moves the Active Picture up, and pressing the ▼ button moves it down.
PICTURE ASPECT*1, *2, *4	Selects the Active Picture frame aspect. To change aspect ratio of the screen image, see page 20.
TEXT TICKER*1, *3	NOTE: When TEXT TICKER is set, MULTI PICTURE MODE and STILL are not available. TEXT TICKER is released if following menu is activated: MULTI PICTURE MODE, TILE MATRIX, SCREEN SAVER, IMAGE FLIP, SUPER in INPUT CHANGE, CLOSED CAPTION. When this function is active, POINT ZOOM and STILL are not available.
MODE	Enables Text Ticker and allows you to set Horizontal or Vertical direction.
POSITION	Selects the location of the Text Ticker on the screen.
SIZE	Determines the size of the Text Ticker in relationship to the overall screen size.
DETECT	Enables auto-detection of the Text Ticker.
INPUT SELECT	Set input signal for PICTURE1, PICTURE2.

\*1: This function is released when selecting SUPER in INPUT CHANGE, MOTION in SCREEN SAVER, TILE MATRIX and IMAGE FLIP except for NONE.

\*2: When TEXT TICKER is active or multi picture is OFF, this function is not available.

\*3: When you select OPTION for multi picture input, this function depends on which option board you are using.

\*4: This function is not available if PIP is set at MULTI PICTURE MODE and then PICTURE1 is set at ACTIVE PICTURE.

INPUT DETECT	Selects the method of input detection the monitor uses when more than one signal source is connected. NOTE: When SUPER is selected within INPUT CHANGE, this function cannot be changed. When INPUT DETECT is active, AUTO DIMMING is not available. INPUT DETECT is released if HUMAN SENSOR is activated.
NONE	The Monitor will not search for signals at the other video input ports.
FIRST DETECT*1, *2	When the current video input signal is not present, then the monitor searches for a video signal from another video input port. If a video signal is present in the other input, then the monitor switches from the current video source to this active video source automatically. The monitor will not look for any other video signals while the current video source is present.
LAST DETECT*1, *2	When the monitor is reproducing a signal from the current video source and a new second video source is supplied to the monitor, the monitor will automatically switch to the new video source. When the current video input signal is not present anymore, the monitor searches for a video signal from any other video input. If a video signal is present in the other input, then the monitor switches from the current video source to this active video source automatically.
CUSTOM DETECT*1	Sets the priority of input signals. When CUSTOM DETECT is selected, the monitor searches on pre-set inputs only. NOTE: Priority of an option input signal is only available in PRIORITY3, except for a slot 2 type PC option. If you set DisplayPort1 to Priority 1 or 2 or 3, you cannot set OPTION (slot 2 type PC option (DP)) to any priority settings. If you set OPTION (slot 2 type PC option (DP)) to Priority 1 or 2 or 3, you cannot set DisplayPort1 to any priority settings.
INPUT CHANGE	Sets input change speed. If "QUICK" is set, speed of changing input gets faster but this setting occurs image noise while switching signals. The selection SUPER enables high-speed switching between two pre-set signals. NOTE: It depends on the option board you use, SUPER is not available. When "SUPER" is active, MULTI PICTURE MODE, TEXT TICKER, STILL, POINT ZOOM are not available.
TERMINAL SETTINGS	
DVI MODE	Selects the kind of DVI-D equipment, which is connected to the DVI input. Select "DVI-HD" when a DVD player or computer equipment is connected which requires HDCP authentication. Select "DVI-PC" when computer equipment is connected which does not requires HDCP authentication.
VGA MODE	Selects RGB or YPbPr for VGA input.
SYNC TYPE	Selects a type of sync signal of VGA (RGB). AUTO: Automatically identifies received sync signal type. H/V SYNC: If the input signal is H/V SYNC then displayed image is unstable with AUTO setting, please set H/V SYNC. SOG: If the input signal is SOG then displayed image is unstable with AUTO setting, please set SOG. NOTE: If VGA MODE is set to YPbPr, you cannot set SYNC TYPE.
DisplayPort	Selects the DisplayPort mode [1.1a] or [1.2]. DisplayPort 1.1a is selected, SST is set automatically. DisplayPort 1.2 is selected, set SST or MST. DisplayPort 1.2 should be selected when using Multi-Stream Transport. Multi-Stream Transport requires the corresponding display card. Contact your supplier for limitations of this function. NOTE: MST is not available with DisplayPort2 signal input.
BIT RATE	DisplayPort 1.1a is selected at DisplayPort, HBR is set automatically. DisplayPort1.2 and SST are selected at DisplayPort, set HBR or HBR2. DisplayPort1.2 and MST are selected at DisplayPort, HBR2 is set automatically.
EQUALIZER	Compensates for the image degradation caused by using a long cable or devices. A higher number produces high compensation.
SLOT2	Compensates for the image degradation from the slot 2 type option DisplayPort signal.
DisplayPort1	Compensates for the image degradation from DisplayPort1 signal.
HDMI	Selects MODE1 or MODE2. MODE1: Max resolution is 3840 x 2160 (30 Hz) MODE2: Max resolution is 3840 x 2160 (60 Hz)
VIDEO LEVEL	RAW: For computer settings. Show all input signals of 0-255 gray levels. EXPAND: For audio-visual equipment settings. Expands the input signals from 16-235 gray levels to 0-255 gray levels. AUTO: Automatically sets input signals by adjusting connected equipment. NOTE: This function is available only in HDMI or DisplayPort or OPTION and is selected at INPUT SIGNAL.
RESET	Resets MULTI INPUT options back to factory settings, except for INPUT DETECT (priority of input signals only), INPUT CHANGE (INPUT1 and INPUT2), INPUT SELECT, PICTURE ASPECT and BIT RATE.

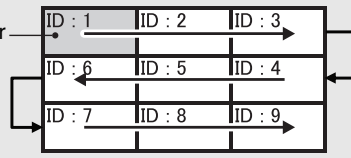
\*1: When you select OPTION for multi picture input, this function depends on which option board you are using.

\*2: Except for MP.

## OSD

LANGUAGE	Select the language used by the OSD.
ENGLISH	
DEUTSCH	
FRANÇAIS	
ITALIANO	
ESPAÑOL	
SVENSKA	
РУССКИЙ	
中文	
日本語	
OSD TIME	Turns off the OSD after a period of inactivity. The preset choices are 10-240 seconds.
OSD POSITION	Determines the location where the OSD appears on the screen.
UP	
DOWN	
RIGHT	
LEFT	
INFORMATION OSD	Selects whether the Information OSD is displayed or not. The Information OSD will appear when the input signal or input source changes. The Information OSD will also give a warning when no signal is detected or the signal is out of range. An interval between 3 to 10 seconds is selectable for the Information OSD to appear.
COMMUNICATION INFO.	The MONITOR ID and IP ADDRESS will appear when the remote control Display button is pressed.
OSD TRANSPARENCY	Selects the transparency of the OSD.
OSD ROTATION	Determines the OSD orientation between landscape and portrait.
LANDSCAPE	Shows the OSD in landscape orientation.
PORTRAIT	Shows the OSD in portrait orientation. NOTE: If PORTRAIT is set, CLOSED CAPTION is not available.
KEY GUIDE	Key guide is shown when the OSD menu is displayed. NOTE: This function is not available when OSD FLIP is "ON".
MEMO	Defines a title and a message via HTTP server. See page 55.
INPUT NAME	You can create a name for the INPUT currently being used. Max: 14 characters, including Space, A-Z, 0-9, and some symbols.
CLOSED CAPTION <small>VIDEO input only</small>	Activates closed captioning. NOTE: This function is released if the following function is activated: MULTI PICTURE MODE, TEXT TICKER, PORTRAIT in OSD ROTATION, TILE MATRIX, SCREEN SAVER, STILL, POINT ZOOM, SUPER in INPUT CHANGE.
RESET	Resets the following settings within the OSD menu back to factory setting: OSD TIME, OSD POSITION, INFORMATION OSD, OSD TRANSPARENCY, CLOSED CAPTION.

## MULTI DISPLAY

AUTO TILE MATRIX SETUP	<p>TILE MATRIX allows one image to be displayed over multiple screens (up to 100) through a distribution amplifier. Allows auto setting of TILE MATRIX by inputting the number of monitors arranged horizontally and vertically on the primary monitor. Following settings are set automatically: MONITOR ID, TILE MATRIX, TILE MATRIX MEM, Input Signal, VIDEO OUT SETTING, DisplayPort in TERMINAL SETTINGS.</p> <p>NOTE: AUTO ID will be automatically executed. When you use this function, it is recommended that monitors be chained by DisplayPort cable. This function is released if MOTION in SCREEN SAVER is activated.</p> <p>Example of installation via LAN:</p> <p>H MONITORS 3 V MONITORS 3</p> 
SETTING COPY	In a daisy chain scenario, select the OSD menu categories that you want to copy over to the other monitors. NOTE: When you use this function, monitors should be daisy chained by LAN cables. This function will be reset to default when power is off. This function has a limit in the number of connected monitors, depending on type and quality of the LAN cable you use.
COPY START	Select "YES" and press the SET button to start copying.
ALL INPUT	All input terminals settings are copied when you select this item. Default is off.

TILE MATRIX	<p>Allows one image to be expanded and displayed over multiple screens (up to 100) through a distribution amplifier.</p> <p>NOTE: Low resolution is not suitable for tiling to a large number of monitors. You can operate without a distribution amplifier at a lower number of screens.</p> <p>This function is released when selecting SCREEN SAVER or IMAGE FLIP except for NONE.</p> <p>Dynamic or Zoom will not work when Tile Matrix is activated.</p> <p>When "DYNAMIC" or "ZOOM" is selected in ASPECT while executing TILE MATRIX, the setting will be applied after completing of TILE MATRIX.</p> <p>When TILE MATRIX is active the following functions are not available: MULTI PICTURE MODE, TEXT TICKER, CLOSED CAPTION, STILL, POINT ZOOM. Please refer to the POINT ZOOM function for more detail (see page 58).</p> <p>If Media Player contents are played while TILE MATRIX is active, the image play timing might have a gap within monitors.</p> <p>This function is not available when SCREEN SAVER is active.</p> <p>When HDMI of the TERMINAL SETTINGS is set to MODE2, TILE MATRIX is not available.</p>
H MONITORS	Number of monitors arranged horizontally.
V MONITORS	Number of monitors arranged vertically.
POSITION	Select which section of the tiled image to be displayed on the monitor.
TILE COMP	Turns the TILE COMP feature on. If YES is set to the TILE COMP, you can adjust a displayed image size and position by pressing the + button or the - button on the remote control.
ENABLE	Enables Tile Matrix settings that you set.
TILE MATRIX MEM	When "INPUT" is selected, TILE MATRIX setting is applied to each signal input.
COMMON	All settings in the TILE MATRIX are saved for the all signal input.
INPUT	All settings in the TILE MATRIX are saved for the signal input which signal input you selected.
ID CONTROL	<p>Sets the monitor ID number from 1-100 and group ID from A-J. DETECTED MONITORS shows the number of all monitors are included in the daisy chain of connected LAN cables.</p> <p>NOTE: Do not turn off the monitors' main power switch or put it into standby while AUTO ID/IP SETTING or AUTO ID/IP RESET is activating.</p> <p>The Group ID is made of multiple selections.</p>
AUTO ID/IP SETTING	<p>When "SET" is selected, AUTO ID/IP SETTING window is shown.</p> <p>Do not connect network devices between the monitors connected with LAN.</p>
SETTING ITEM	Select an item from [MONITOR ID], [IP ADDRESS] and [ID and IP].
MONITOR ID	When "YES" is set, monitor ID numbers are set automatically to the all monitors.
IP ADDRESS	<p>Set the first octet to the third octet at "BASE ADDRESS".</p> <p>The fourth octet is automatically set from "1" and counting up till the number of monitors connected with LAN.</p> <p>"BASE ADDRESS" is shown when "IP ADDRESS" or "ID and IP" is selected at SETTING ITEM.</p>
ID and IP	Set "MONITOR ID" and "IP ADDRESS".
BASE NUMBER	<p>Set base number within 100 for the master monitor.</p> <p>The other monitors who follow in the chain with LAN will be given individual a monitor ID automatically. The monitor ID given to the each monitor is counting up based on base number of the master monitor. Please set base number by considering all monitor ID that given to the monitors following LAN also set within 100.</p>
BASE ADDRESS	When "YES" is set, monitor IP ADDRESS is set automatically to all monitors.
ID/IP SETTING START	When "YES" is set, all the settings in the AUTO ID/IP SETTING are activated.
DETECTED MONITORS	<p>This item is shown after "SETTING ITEM" is selected and "ID/IP ADDRESS START" is set to "YES".</p> <p>If the shown number and actual monitor number, which MONITOR ID is given, are different, select "RETRY" to recount monitors.</p> <p>If the shown number is correct, set "CONTINUE".</p>
AUTO ID/IP RESET	When "RESET" is selected, AUTO ID/IP RESET window is shown.
RESET ITEM	<p>Select a setting from [MONITOR ID], [IP ADDRESS], and [ID and IP].</p> <p>When the number of monitors connected with LAN was changed, please select the same item that you selected at "SETTING ITEM" in the AUTO ID/IP SETTING and then run the "AUTO ID/IP RESET".</p>
ID/IP RESET START	<p>When "YES" is set, the setting of selected item at RESET ITEM returns to default setting.</p> <p>When the setting returns to default setting, "FINISH!!" is displayed.</p> <p>NOTE: After "ID/IP RESET START" is activated, "MONITOR ID" and "IP ADDRESS" settings will be individual settings even though monitors are connected with LAN.</p>
DETECTED MONITORS	Displays number of the detected monitors.
COMMAND TRANSFER	When "ON" is set, a command is sent to the all monitors connected with LAN cables.
RESET	Resets all settings within the MULTI DISPLAY menu back to factory setting.

## DISPLAY PROTECTION

POWER SAVE	Sets ENABLE or DISABLE. If you set it to ENABLE, set how long the monitor waits to go into power save mode after signal is lost. For more detail, please check Power Indicator (See page 42). NOTE: When connecting DVI, the display card might not stop sending the digital data even though the image might have disappeared. If this occurs the monitor will not switch into power management mode. POWER SAVE is disabled when AUTO OFF or CUSTOM is selected in HUMAN SENSING*3.
AUTO POWER SAVE TIME SETTING	Set the time of the monitor goes into auto power save mode after signal is lost.
POWER SAVE MESSAGE	When the monitor goes into power save mode, a message is displayed when ON is selected.
FAN CONTROL	Cooling fans will reduce the internal temperature of the monitor to protect from overheating. If AUTO is selected, you can adjust the start temperature of the cooling fans and the fan speed.
HEAT STATUS	Shows the actual status of the fans, backlight and temperature sensors.
SCREEN SAVER	Use the SCREEN SAVER function to reduce the risk of Image Persistence. NOTE: When the screen saver is activated, the image will be changed to FULL image. After the screen saver stops the activity, the image will be reproduced again with the current ASPECT setting. The screen saver cannot be selected for 3840 x 2160 at 60 Hz signal input. When the SCREEN SAVER is set to active, MULTI PICTURE MODE, STILL, IMAGE FLIP (except for NONE) or TEXT TICKER, POINT ZOOM, TILE MATRIX, CLOSED CAPTION are not available.
GAMMA*1	The monitor gamma is changed and fixed when "ON" is selected.
BACKLIGHT*1	The brightness of the backlight is decreased when "ON" is selected. NOTE: Do not select this function when ROOM LIGHT SENSING is set to MODE1 or MODE2.
MOTION*2	The screen image is slightly expanded and moves in 4 directions (UP, DOWN, RIGHT, LEFT) at user determined intervals. You can set interval time and zoom ratio.
SIDE BORDER COLOR	Adjusts the color of the side borders when a 4:3 image is reproduced. By pressing the + button on the remote control. The side borders will become brighter. By pressing the - button, the side borders will become darker. Background color of the media player window is also changed.
POWER ON DELAY	Adjusts the delay time between being in "standby" mode and entering "power on" mode.
DELAY TIME	"POWER ON DELAY" can be set between 0 and 50 seconds.
LINK TO ID	When "ON" selected, delay time is linked with Monitor ID. It takes more time as larger ID number.
ALERT MAIL	Set ON to activate alert mail.
RESET	Resets the all settings within the DISPLAY PROTECTION menu back to factory setting except for POWER ON DELAY.

## CONTROL

NETWORK INFORMATION	Shows the current network settings.
LAN	NOTE: When changing the any LAN settings, you need to wait several seconds until modified LAN settings are applied.
IP SETTING	Enabling this option automatically assigns an IP address to the monitor from your DHCP server. Disabling this option allows you to enter a fixed IP address and subnet mask data obtained from your network administrator. NOTE: Consult your network administrator for the IP address when AUTO is selected for [IP SETTING].
IP ADDRESS	Set your IP address for the monitor connected to the network when MANUAL is selected for [IP SETTING].
SUBNET MASK	Set your subnet mask data for the monitor connected to the network when MANUAL is selected for [IP SETTING].
DEFAULT GATEWAY	Set your default gateway for the monitor connected to the network when MANUAL is selected for [IP SETTING]. NOTE: Enter [0.0.0.0] to delete the setting.
DNS	Set the IP addresses of DNS servers. AUTO: The DNS server which is connected with the monitor will automatically assign his IP address. MANUAL: Manually enter the IP address of the DNS server which is connected with the monitor.
DNS PRIMARY	Enter the primary DNS server settings of the network connected with the monitor. NOTE: Enter [0.0.0.0] to delete the setting.
DNS SECONDARY	Enter the secondary DNS server settings of the network connected with the monitor. NOTE: Enter [0.0.0.0] to delete the setting.

\*1: If SPECTRAVIEW ENGINE is ON, this function is grayed out.

\*2: When you select OPTION for signal input, this function depends on which option board you are using.

\*3: The function is available only when connecting the optional control unit.

CHANGE PASSWORD	Allows the security password to be changed. The factory preset password is 0000.
SECURITY	
PASSWORD	Insert a security password.
SECURE MODE	
OFF	The security password is not required when the monitor power is on.
START-UP LOCK	The security password is required when the monitor power is on.
CONTROL LOCK	The security password is required when a remote control button or a control button on the monitor is pressed.
BOTH LOCK	The security password is required when either the monitor is powered on, or a remote control button or a control button on the monitor is pressed.
IR LOCK SETTINGS	Prevents the monitor from being controlled by the wireless remote control. When ACTIVATE is selected, all the settings are activated. NOTE: IR LOCK SETTINGS is a function intended only for the wireless remote control buttons. This function does not lock out access to all buttons of the monitor. To return to normal operation, press the "DISPLAY" button on the remote control then hold it down for more than 5 seconds.
MODE SELECT	Selects the mode UNLOCK, ALL LOCK or CUSTOM LOCK.
UNLOCK	All buttons on the remote control are available for normal operation.
ALL LOCK	Locks all remote control buttons.
CUSTOM LOCK	Selects which buttons to be locked from POWER, VOLUME, and INPUT button. Except for CUSTOM LOCK settings, other buttons on the remote control are locked. POWER: When LOCK is selected, the POWER button is locked. VOLUME: When UNLOCK is selected, set the minimum and maximum volume between VOL.0 to VOL.100. VOLUME (+) button and VOLUME (-) buttons are only available from the minimum volume to the maximum volume you set. When LOCK is selected, VOLUME (+) button and VOLUME (-) buttons are locked. INPUT: When UNLOCK is selected, choose up to three buttons from DVI, HDMI1, HDMI2, DisplayPort1, DisplayPort2, VGA (RGB/YPbPr), VIDEO, MEDIA PLAYER, OPTION which you prefer to be unlocked. The unselected buttons are locked. When LOCK is selected, all INPUT buttons are locked. CHANNEL: To lock channel buttons on the remote control, select it to LOCK then press ACTIVE, channel CH/ZOOM (+) button and (-) button are locked.
KEY LOCK SETTINGS	Prevents the monitor from being controlled by buttons of the monitor. When ACTIVATE is selected, all the settings are activated. NOTE: KEY LOCK SETTINGS is a function intended only for the buttons of the monitor. This function does not lock out access to all buttons on the remote control. To activate the control key lock function, press the UP button (▲) and the DOWN button (▼) and hold down simultaneously for more than 3 seconds. To resume user mode, press the UP button (▲) and the DOWN button (▼) and hold simultaneously for more than 3 seconds.
MODE SELECT	Selects the mode UNLOCK, ALL LOCK or CUSTOM LOCK.
UNLOCK	All buttons are available for normal operations.
ALL LOCK	Locks all remote control buttons.
CUSTOM LOCK	Selects which buttons to be locked from POWER, VOLUME, and INPUT button. Except for CUSTOM LOCK settings, other buttons on the remote control are locked. POWER: When LOCK is selected, the POWER button is locked. VOLUME: When UNLOCK is selected, set the minimum and maximum volume between VOL.0 to VOL.100. The PLUS button (+) and the MINUS button (-) are only available from the minimum volume to the maximum volume you set. When LOCK is selected, the PLUS button (+) and the MINUS button (-) are locked. INPUT: When UNLOCK is selected, the INPUT/SET button is unlocked. CHANNEL: To lock channel buttons on the remote control, select it to LOCK then press ACTIVE, the UP button (▲) and the DOWN button (▼) are locked.
DDC/CI DisplayPort2, DVI, VGA (RGB) Inputs only	ENABLE/DISABLE: Turns ON or OFF the two-way communication and control of the monitor.
PING	Confirm successful connection with the network by communicating with a preset IP address.
IP ADDRESS	Sets an IP ADDRESS for sending PING.
EXECUTE	Checks a reply can be sent to the monitor or not from the IP ADDRESS by sending PING.
IP ADDRESS RESET	Resets IP ADDRESS SETTINGS back to factory settings.

<b>AUTO DIMMING*1</b>	Adjusts the backlight of the LCD automatically depending on the amount of ambient light. NOTE: This function is released if INPUT DETECT is set while AUTO DIMMING is active.
<b>AUTO BRIGHTNESS</b> <small>DVI, DisplayPort1, DisplayPort2, VGA (RGB), MP, OPTION*3 inputs only</small>	Adjusts the brightness level according to the input signal. NOTE: Do not select this function when ROOM LIGHT SENSING is MODE1 or MODE2.
<b>ROOM LIGHT SENSING</b>	<p>The backlight of the LCD screen can be set to increase or decrease depending on the amount of ambient light within the room. If the room is bright, the monitor becomes correspondingly bright. If the room is dim, then the monitor will dim accordingly. The purpose of this function is to make the viewing experience more comfortable to the eye in a variety of lighting conditions.</p> <p>NOTE: When ROOM LIGHT SENSING is set, BACKLIGHT, AUTO BRIGHTNESS and BACKLIGHT in SCREEN SAVER functions are disabled. Do not cover the room light sensing sensor when you use MODE1 or MODE2.</p> <p>AMBIENT parameter setting ROOM LIGHT SENSING in OSD, select MODE1 or MODE2 and set MAX LIMIT, IN BRIGHT and IN DARK in each mode.</p> <p>MAX LIMIT: This is the max level of backlight, which you set. IN BRIGHT: This is the backlight level that the monitor will go up to when the ambient light level is highest. IN DARK: This is the level of backlight that the monitor will go down to when the ambient light level is low. When the ROOM LIGHT SENSING is enabled the Backlight level of the screen changes automatically according to the lighting conditions of the room (see figure below).</p> <div data-bbox="550 667 1321 1041" data-label="Figure"> </div> <p>MAX LIMIT: BACKLIGHT level is limited to your set level. IN DARK: BACKLIGHT level set for the monitor to use when ambient lighting level is low. IN BRIGHT: BACKLIGHT level set for the monitor to use when ambient lighting level is high.</p>
<b>HUMAN SENSING*2</b>	HUMAN SENSING has three settings. NOTE: POWER SAVE is disabled when AUTO OFF or CUSTOM is selected in HUMAN SENSING.
<b>DISABLE</b>	No human sensing.
<b>AUTO OFF</b>	At the preset time, when no person is detected, BACKLIGHT and VOLUME automatically go into OFF. When a person comes near the monitor again, the monitor will automatically return to normal mode.
<b>CUSTOM</b>	BACKLIGHT and VOLUME automatically shift to the set value when detecting no person. When a person comes near the monitor again, the monitor automatically returns to normal mode and reproduces the input signal selected in INPUT SELECT.
<b>POWER INDICATOR</b>	
<b>POWER INDICATOR</b>	Turns the LED on or off. If OFF is selected, the LED will not glow when the LCD monitor is in active mode.
<b>SCHEDULE INDICATOR</b>	Turns the LED on or off depending on a schedule activity which is set at "SCHEDULE SETTINGS". If OFF is selected, the LED will not glow even if a schedule is in active mode.
<b>INTELLI. WIRELESS DATA</b>	Select "ON" to activate INTELLIGENT WIRELESS DATA function (see page 60). A password is required when using the function.

\*1: If SPECTRAVIEW ENGINE is ON, this function is grayed out.

\*2: The function is available only when connecting the optional sensor unit.

\*3: When you select OPTION for signal input, this function depends on which option board you are using.



USB	
TOUCH POWER (Not available)	
EXTERNAL CONTROL	When ON is set, the monitor is controlled by a device installed particular software which is connected to USB2.
PC SOURCE	Select a device connected to USB1 which controls the monitor. If a control device is specific, select EXTERNAL PC or OPTION. OPTION is only available when slot 2 type PC option is connected to the monitor.
USB POWER	Selects a power relation of USB CM1 (2A). Set ON to supply the power to the USB CM1 (2A). NOTE: Power consumption depends on which USB devices are connected to the monitor.
CEC*	
This function enables you to control the HDMI CEC compliant device connected via HDMI connector. *: CEC is an abbreviation of Consumer Electronics Control.	
CEC	When ON is set, please set items below. NOTE: If ON is selected, the below functions are activated. When the connected HDMI CEC device receives play command, the monitor synchronously turns on then changes the input signal to HDMI. If the monitor has been turned on, when connected HDMI CEC device received a play command, input signal is switched to HDMI. The connected HDMI CEC devices are controlled by the wireless remote control supplied with the monitor. Depending on the connected device, sometimes the device does not work properly.
AUTO TURN OFF	When the monitor goes to standby via remote control or the power button on the monitor, connected HDMI CEC device go to standby synchronously. NOTE: If the connected HDMI CEC device is recording, the device does not go into standby.
AUDIO RECEIVER	Activates HDMI CEC audio amplifier. If YES is set, outputs the sounds of the connected HDMI CEC device from the connected HDMI CEC audio amplifier. If YES is set, the internal speaker or the external speaker connected to the monitor is set to mute. NOTE: When a HDMI CEC audio amplifier is connected, set to YES. Please set to NO if there is no connecting HDMI CEC audio device to the monitor.
SEARCH DEVICE	Searches the HDMI CEC device connected to the monitor. When search is success, the connected HDMI CEC device's type and registered device name are shown. When search has been completed or failed, the SEARCH DEVICE is set to NO automatically. To retry the SEARCH DEVICE, set it to YES again. After detected HDMI CEC devices, you can switch the device input by selecting the device.
RESET	Resets all the settings within the CONTROL menu back to factory setting except for LAN, CHANGE PASSWORD, SECURITY, PING and INTELLI. WIRELESS DATA.
<b>OPTION</b>	
OPTION POWER	Allows the monitor to supply power to an Option board slot during power save mode or standby mode. NOTE: To activate Power management function with no signal input from the inserted slot 2 type option, please set OPTION POWER to AUTO or ON. IF OPTION POWER is set to OFF, power supply to the connected option stops.
AUDIO*1	Selects the sound input signal according to the slot2 type option specifications. To activate DIGITAL, select OPTION for input signal and OPTION for AUDIO INPUT. NOTE: DIGITAL is activated only when OPTION is selected for input signal and OPTION for AUDIO INPUT.
INTERNAL PC*1	
The function is available for a slot 2 type PC.	
OFF WARNING (Not adjustable)	
AUTO OFF	Monitor power is automatically OFF when the internal PC is OFF or the monitor is in power save mode. NOTE: If you select OFF, the monitor power is not automatically ON when the internal PC is ON.
START UP PC	When ON is selected, the internal PC will start.
FORCE QUIT	When ON is selected, a forced shutdown of the internal PC will be carried out. Please use this function only when the operating system cannot be shut down manually.
SLOT2 CH SETTING	
Selects signal type according to the slot 2 type option specifications.	
AUTO	Sets the signal type automatically.
1CH	Fills the screen entirely with the signal which is selected in SLOT2 CH SELECT.
2CH	The DisplayPort signal is displayed on the left half of the screen, the TMDS signal is displayed on the right half. If the internal PC does not support either one of the signal types, the existing signal will automatically be displayed on the full screen.
SLOT2 CH SELECT	
This function is available only when SLOT2 CH SETTING is 1CH.	
DisplayPort	Shows the DisplayPort signal from a slot 2 type PC option on the full screen.
TMDS	Shows the TMDS signal from a slot 2 type PC option on the full screen.
RESET	Resets the AUDIO setting back to the factory setting within the OPTION menu.

\*1: This function depends on which option board you are using. When changing the setting, turn the monitor's main power switch off and on again.

## SYSTEM

MONITOR INFORMATION	Shows the model name, serial number and firmware version of your monitor. CARBON SAVINGS: Display the estimated carbon saving information in kg-CO2. The carbon footprint factor in the carbon saving calculation is based on the OECD (2008 Edition). CARBON USAGE: Display the estimated carbon usage information in kg-CO2. This is the arithmetic estimation, not actual measurement value. This estimation is based without any options.
FIRMWARE	Displays firmware version that is installed to the monitor.
MAC ADDRESS	Displays the MAC ADDRESS.
FACTORY RESET	All items are returned to factory shipment state. NOTE: You can reset all items in all daisy chained monitors. Please be careful to avoid resetting all items inadvertently.

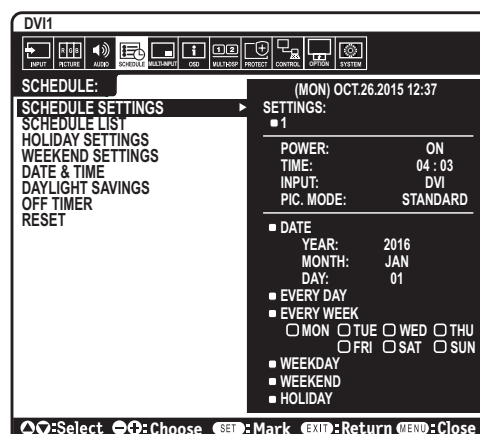
Default values can be provided on request.

## NOTE 1: CREATING A SCHEDULE

The schedule function allows the monitor to be set to power on or set it to be on standby at different times. Up to seven different schedules can be programmed.

To program the schedule:

1. Enter the SCHEDULE menu. Highlight SCHEDULE SETTINGS using the up and down buttons. Press the SET/POINT ZOOM or the + button to enter the Settings menu. Highlight the desired schedule number and press SET/POINT ZOOM. The box next to the number will turn yellow. The schedule can now be programmed.
2. Use the down button to highlight the POWER. Use the + and - buttons to set ON. To set power off schedule, set OFF.
3. Use the down button to highlight the TIME. Use the + and - buttons to set the time.
4. Use the up and down arrows to highlight INPUT. Use the + and - buttons to choose the input source. Use the up and down arrows to highlight PIC. MODE. Use the + and - buttons to choose the picture mode.
5. Use the down button to select DATE, EVERY DAY, EVERY WEEK, WEEKDAY, WEEKEND or HOLIDAY. Push the SET/POINT ZOOM button on a menu which is suitable for the schedule. If the schedule is to be run a specific day, choose DATE and press the SET/POINT ZOOM button. If the schedule is to be ran every day, choose EVERY DAY and press the SET/POINT ZOOM button. The circle next to EVERY DAY will turn yellow. If a weekly schedule is desired, choose the days of the week using the up and down buttons and pressing SET/POINT ZOOM to select. Then highlight the EVERY WEEK option and press SET/POINT ZOOM. Please set WEEKDAY, WEEKEND, or HOLIDAY in the same manner.  
For the WEEKDAY, WEEKEND, and HOLIDAY settings are available under the SCHEDULE setting (See page 35).
6. After a schedule is programmed, the remaining schedules can then be set. Press MENU to leave the OSD or press EXIT to go back to the previous menu.



**NOTE:** If schedules are overlapping then the schedule with the highest number will have priority over the schedule with the lowest number. For example, schedule #7 will have priority over schedule #1.

If a selected input or picture mode is not available now, the disabled input or picture mode is shown in red.

## NOTE 2: IMAGE PERSISTENCE

Please be aware that LCD Technology may experience a phenomenon known as Image Persistence. Image Persistence occurs when a residual or "ghost" image of a previous image remains visible on the screen. Unlike CRT monitors, LCD monitors' image persistence is not permanent, but constant images being displayed for a long period of time should be avoided.

To alleviate image persistence, turn off the monitor's main power or set it to standby for as long as the previous image was displayed. For example, if an image was on the monitor for one hour and a residual image remains, the monitor's main power should be turned off or set it to standby for one hour to erase the image.

As with all personal display devices, NEC DISPLAY SOLUTIONS recommends displaying moving images and using a moving screen saver at regular intervals whenever the screen is idle or turning off the monitor's main power or set it to standby when not in use.

Please set "SCREEN SAVER", "DATE & TIME" and "SCHEDULE SETTINGS" functions to further reduce the risk of Image persistence.

## For long life use as a Public Display

### Image Sticking of LCD Panel

When an LCD panel is operated continuously for long hours, a trace of electric charge remains near the electrode inside LCD, and residual or "ghost" image of previous image may be observed. (Image Persistence)

Image Persistence is not permanent, but when fixed image is displayed for long period, ionic impurities inside LCD are accumulated along the displayed image, and may be permanent. (Image Sticking)

### Recommendations

To prevent Image Sticking, and for longer life usage of the monitor, the following is recommended.

1. Fixed image should not be reproduced for long period. Change still images after short intervals.
2. When not in use, please turn off the monitor via remote control, or use the Power Management function of the PC, or use the built-in Schedule Functions.
3. Lower environmental temperatures prolong the lifespan of the monitor.  
When a protective surface (glass, acrylic) is installed over the monitor's screen surface, the monitor's screen surface is located in an enclosure, or the monitors are stacked, utilize the temperature sensors inside the monitor.  
To reduce the internal temperature, use the Cooling Fans, Screen Saver, the Power Management function of the PC and Low Brightness.
4. Please use "Screen Saver Mode" of monitor.

# Remote Control Functions

## REMOTE CONTROL ID FUNCTION

### REMOTE CONTROL ID

The remote control can be used to control up to 100 individual MultiSync monitors using what is called the REMOTE CONTROL ID mode. The REMOTE CONTROL ID mode works in conjunction with the Monitor ID, allowing control of up to 100 individual MultiSync monitors. For example: if there are many monitors being used in the same area, a remote control in normal mode would send signals to every monitor at the same time (see Figure 1). Using the remote in REMOTE CONTROL ID mode will only operate one specific monitor within the group (see Figure 2).

### TO SET REMOTE CONTROL ID

While holding down the REMOTE ID SET button on the remote control, use the KEYPAD to input the Monitor ID (1-100) of the monitor to be controlled via remote. The remote can then be used to operate the monitor having that specific Monitor ID number.

When 0 is selected or when the remote control is in normal mode, all monitors will be operated.

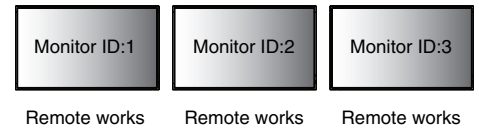
### TO SET/RESET REMOTE CONTROL MODE

ID Mode - To enter ID Mode press the REMOTE ID SET button and hold down for 2 seconds.

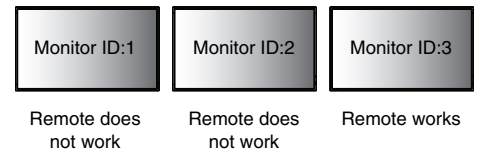
Normal Mode - To return to Normal Mode press the REMOTE ID CLEAR button and hold down for 2 seconds.

In order for this feature to work properly, the monitor must be assigned a Monitor ID number. The Monitor ID number can be assigned under the MULTI DISPLAY menu in the OSD (See page 39).

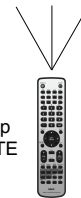
Point the remote control towards the remote sensor of the desired monitor and press the REMOTE ID SET button. The MONITOR ID number is shown on the screen when your remote control is in ID mode.



**Figure 1**  
Remote in Normal mode or the REMOTE ID is set to 0



**Figure 2**  
Remote set up to use REMOTE ID:3



### Use the remote control to operate a monitor that has a specific MONITOR ID number assigned to it.

1. Set the MONITOR ID number for the monitor (See page 39). The MONITOR ID number can range from 1-100. This MONITOR ID number allows the remote control to operate this specific monitor without affecting other monitors.
2. On the remote control, press and hold down the REMOTE ID SET button while using the keypad to input the REMOTE CONTROL ID number (1-100). The REMOTE ID NUMBER should match the MONITOR ID number of the monitor to be controlled. Choose "0" to simultaneously control all monitors in range.
3. Point the remote control towards the remote sensor of the desired monitor and press the REMOTE ID SET button. The MONITOR ID number is shown in red on the monitor. If the REMOTE CONTROL ID is "0", then all monitors in range will show their respective MONITOR ID number in red.

If the MONITOR ID number is shown in white on the monitor, the MONITOR ID number and the REMOTE CONTROL ID are not the same.

**NOTE:** The GROUP ID cannot be specified via the remote control.

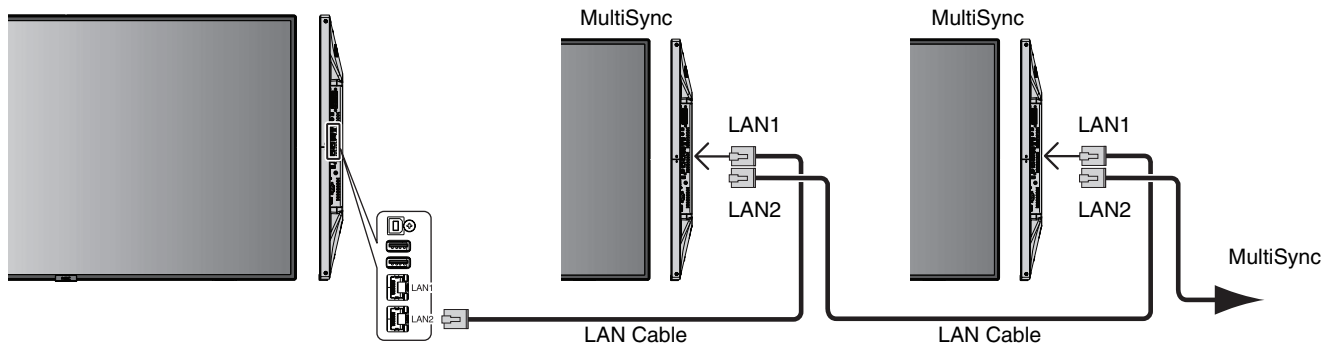
# Multiple Monitors Connection

You can control multiple monitors by using RS-232C, REMOTE IN or LAN daisy-chain connection.

**NOTE:** Multiple monitors that are daisy-chained have a limit to the connectable monitors. Please execute AUTO ID (see page 39) before manually specifying the ID number or control by the specified ID number.

Main Monitor		Sub Monitors	
Connector		Connector	
IN	OUT	IN	OUT
RS-232C	LAN2	LAN1	LAN2
REMOTE IN			
LAN1			

## Connection



# Controlling the LCD monitor via RS-232C Remote Control

This LCD monitor can be controlled by connecting a personal computer with a RS-232C (reverse type) terminal.

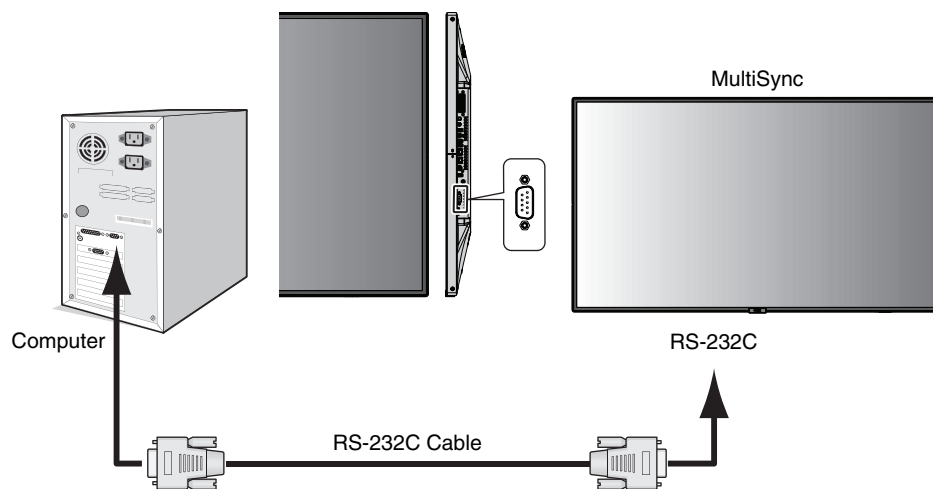
Functions that can be controlled by a personal computer are:

- Power ON or standby.
- Switching between input signals.
- Sound Mute ON or OFF.

## Connection

LCD Monitor + computer.

- Please turn off the monitor's main power when connecting a computer to the monitor.
- Please turn on the connecting computer first then turn on the monitor's main power.  
If you turn on the computer and the monitor the other order, some times com port does not work properly.
- When controlling the monitor connected with RS-232C cable, please refer to the Control command diagram (See page 56) or see the "External\_Control.pdf" file on the CD-ROM supplied with the monitor.



**NOTE:** If your computer is equipped only with a 25-pin serial port connector, a 25-pin serial port adapter is required. Contact your supplier for details.  
For the pin assignment, please see "2) RS-232C input/output" next page.

To control a monitor, please use the control command. Instructions for the control command can be found on the CD included with the monitor. The file is called "External\_control.pdf".

1) Interface

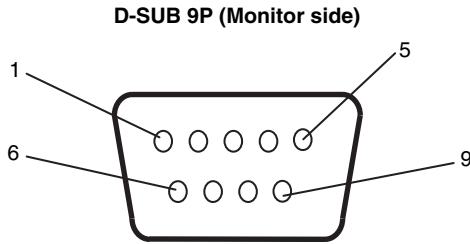
PROTOCOL	RS-232C
BAUD RATE	9600 [bps]
DATA LENGTH	8 [bits]
PARITY	NONE
STOP BIT	1 [bit]
FLOW CONTROL	NONE

This LCD monitor uses RXD, TXD and GND lines for RS-232C control.  
 The reverse type cable (null modem cable) (not include) should be used for RS-232C control.

2) PIN ASSIGNMENT

RS-232C input/output

Pin No	Name
1	NC
2	RXD
3	TXD
4	NC
5	GND
6	NC
7	NC
8	NC
9	NC



This LCD monitor uses RXD, TXD and GND lines for RS-232C control.

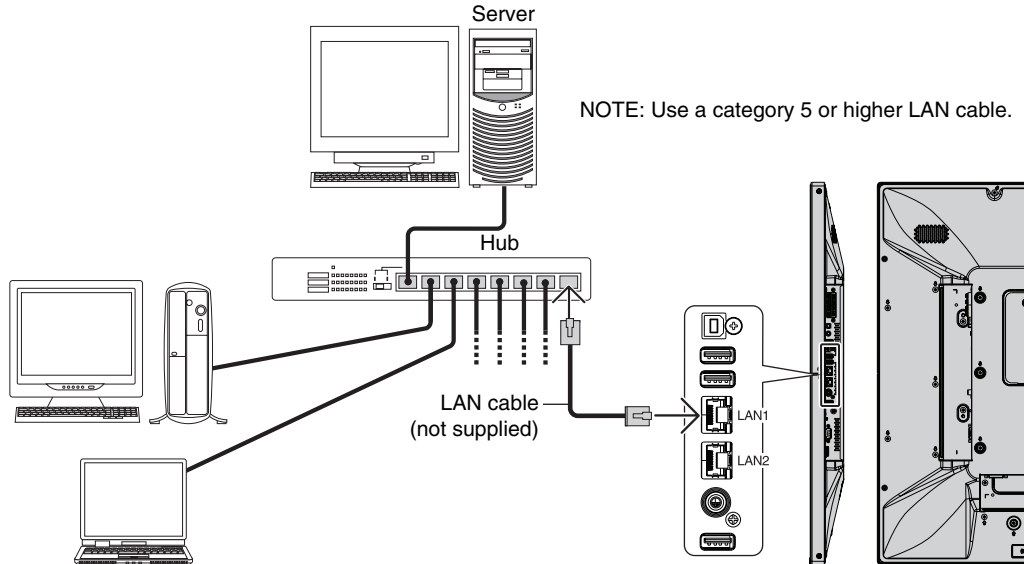
# Controlling the LCD monitor via LAN Control

## Connecting to a Network

Using a LAN cable allows you to specify the Network Settings and the Alert Mail Settings by using an HTTP server function.

To use a LAN connection, you are required to assign an IP address.

### Example of LAN connection:



## Network Setting by Using an HTTP Browser

### Overview

Connecting the monitor to a network allows for monitor control from a computer via the network.

To perform the monitor control from a web browser, you must have an exclusive application installed on your computer.

The IP address and subnet mask of the monitor can be set on the Network Setting screen of the web browser by using an HTTP server. Please be sure to use "Microsoft Internet Explorer 10" or a higher version for the web browser.

(This device uses "JavaScript" and "Cookies" and the browser should be set to accept these functions. The setting method will vary depending on the version of browser. Please refer to the help files and the other information provided in your software.)

Access is gained to the HTTP server function by starting the Web browser on the computer via the network connected to the monitor and entering the following URL.

### Network Setting

`http://<the Monitor's IP address>/index.html`

**HINT:** The default IP address is assigned automatically to the monitor.  
The exclusive application can be downloaded from our website.

**NOTE:** If the MONITOR NETWORK SETTINGS screen does not appear in the web browser, press the Ctrl+F5 keys to refresh your web browser (or clear the cache).

The response time of the monitor to commands, or clicks on buttons in the browser may be slowed down, or the speed of operation may even not be acceptable, depending on the settings of your network. Should this happen, consult your network administrator.

The monitor may not respond if the buttons shown on the browser are repeatedly pressed in rapid intervals. Should this happen, wait a moment and repeat. If you still can't get a response, turn the monitor off and then back on.

To control a monitor please use the control command. See "Control command diagram" (page 56).



## Preparation Before Use

Connect the monitor to the network, using a commercially available LAN cable before engaging in browser operations.

Operation with a browser that uses a proxy server may not be possible depending on the type of proxy server and the setting method. Although the type of proxy server will be a factor, it is possible that items that have actually been set will not be shown, depending on the effectiveness of the cache, and the contents set from the browser may not be reflected in operation. It is recommended that a proxy server is not used unless it is inevitable.

## Handling of the Address for Operation via a Browser

A host name can be used in the following cases:

The host name - corresponding to the IP address of the monitor - must be registered in the domain name server (DNS) by the network administrator. You can then access the network settings of the monitor via this registered host name by using a compatible browser.

If the host name - corresponding to the IP address of the monitor - has been configured in the "HOSTS" file of the computer being used, you can then access the network settings of the monitor via this host name by using a compatible browser.

**Example 1:** When the host name of the monitor has been set to "pd.nec.co.jp", access is gained to the network setting by specifying *http://pd.nec.co.jp/index.html* for the address or the entry column of the URL.

**Example 2:** When the IP address of the monitor is "192.168.73.1", access is gained to the mail alert settings by specifying *http://192.168.73.1/index.html* for the address or the entry column of the URL.

## Operation

Access the following address to show HOME. Click each link on the left column below HOME.

<http://<the Monitor's IP address>/index.html>

## REMOTE CONTROL

Enable an operation to control the monitor equivalent to the keys of the remote control.

## OSD menu

Enable the operation to set the following OSD menu.

INPUT, PICTURE, AUDIO, SCHEDULE, MULTI INPUT, OSD, MULTI DISPLAY, DISPLAY PROTECTION, CONTROL, OPTION, SYSTEM.

**NOTE:** Function of buttons which are shown on setting pages.

[APPLY]: Reflect your settings.

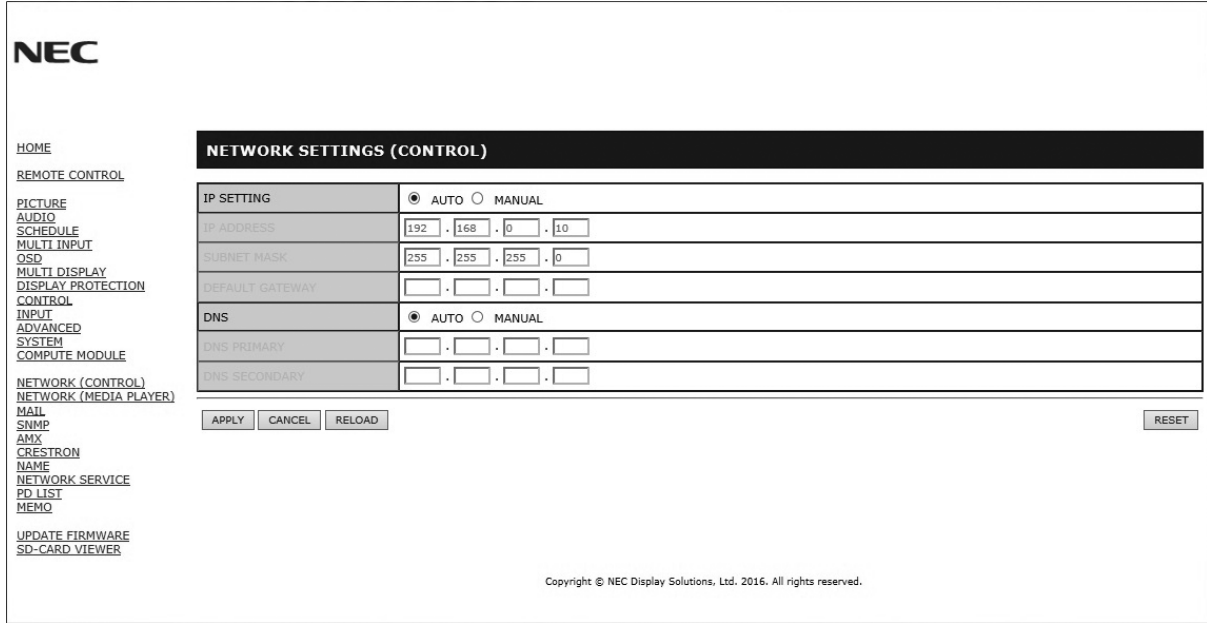
[CANCEL]: Return to the previous settings. **NOTE:** CANCEL is disabled after clicking APPLY.

[RELOAD]: Reload the settings.

[RESET]: Resets to the initial setting.

# Network Setting

Click on "NETWORK" on the left column below HOME.



IP SETTING	Set a setting method of the IP ADDRESS setting. AUTO: Automatically assign an IP address. MANUAL: Set your IP address for the monitor connected to the network. NOTE: Consult your network administrator for the IP address when [AUTO] is selected for [IP SETTING].
IP ADDRESS	Set your IP address for the monitor connected to the network when [MANUAL] is selected for [IP SETTING].
SUBNET MASK	Set your subnet mask data for the monitor connected to the network when [MANUAL] is selected for [IP SETTING].
DEFAULT GATEWAY	Set your default gateway for the monitor connected to the network when [MANUAL] is selected for [IP SETTING]. NOTE: Set as [0.0.0.0] to delete the setting.
DNS	Set for IP ADDRESS setting of DNS server. AUTO: The DNS server which is connected with the monitor will automatically assign his IP address. MANUAL: Manually enter the IP address of the DNS server which is connected with the monitor.
PRIMARY DNS	Enter the primary DNS server settings of the network connected with the monitor. NOTE: Enter [0.0.0.0] to delete the setting.
SECONDARY DNS	Enter the secondary DNS server settings of the network connected with the monitor. NOTE: Enter [0.0.0.0] to delete the setting.

**NOTE:** The following settings will be set back to the factory settings when IP ADDRESS RESET is selected by an EXTERNAL CONTROL of the OSD:  
 [IP SETTING]: AUTO, [IP ADDRESS]: 192.168.0.10, [SUBNET MASK]: 255.255.255.0, [DNS]: AUTO [DEFAULT GATEWAY], [PRIMARY DNS] and [SECONDARY DNS] are blank.

## Mail Setting

Click on "MAIL" on the left column below HOME.

This option notifies your computer about an error message via e-mail when using wired LAN. An error message will be sent when an error occurs in the monitor.

ALERT MAIL	Selecting [ENABLE] will turn on the Alert Mail feature. Selecting [DISABLE] will turn off the Alert Mail feature.
STATUS MESSAGE	Selecting [ENABLE] will turn on the STATUS MESSAGE feature. Selecting [DISABLE] will turn off the STATUS MESSAGE feature.
SENDER'S ADDRESS	Type in the sender's address. Up to 60 alphanumeric and symbols characters can be used.
SMTP SERVER	Type in the SMTP server name to be connected with the monitor. Up to 60 alphanumeric characters can be used.
RECIPIENT'S ADDRESS 1 TO 3	Type in your recipient's address. Up to 60 alphanumeric and symbols characters can be used.
AUTHENTICATION METHOD	This selects the authentication method of the email transmission.
POP3 SERVER	This specifies the address of the POP3 server that is used in the authentication of the email.
USER NAME	This sets the user name for logging into the authentication server when authentication is required for the email transmission. Up to 60 alphanumeric characters can be used.
PASSWORD	This sets the password for logging into the authentication server when authentication is required for the email transmission. Up to 60 alphanumeric characters can be used.
TEST MAIL	Click on this button to send a test email to check if your settings are correct.

- NOTE:**
- If you execute a test, you may not receive an Alert email.  
Should this happen, check whether the network settings are correct.
  - If you entered an incorrect address in a test, you may not receive an Alert email.  
Should this happen, check whether the Recipient's Address is correct.

**HINT:** For the control command diagram, please see the file "External\_Control.pdf" on the CD-ROM supplied with this monitor.

### Alert error message list

Error number * ErrorCode	Alert mail Message	Explanation	Measure
70h ~ 7Fh	The monitor's power supply is not functioning normally.	Standby power abnormal	Please contact your supplier.
80h ~ Fh	The cooling fan has stopped.	Cooling fan abnormal	Please contact your supplier.
90h ~ 9Fh	The monitor's backlight unit is not functioning normally.	Backlight abnormal	Please contact your supplier.
A0h ~ AFh	The monitor is overheated.	Temperature abnormal	Please contact your supplier.
A2h		A Sensor reached the temperature limit which was specified in the OSD. *Condition: DISPLAY PROTECTION-FAN CONTROL-COOLING FAN = AUTO	Reconfirm the settings in the OSD (DISPLAY PROTECTION-FAN CONTROL) or please contact your supplier.
B0h ~ BFh	The monitor does not receive an input signal.	No signal	Please check "No picture" in "Troubleshooting".
D0h	The remaining capacity of the error log decreased.	The Proof of Play log memory size is 1 more hour.	Please get a log by using PD external command. See page 55.
D1h	The battery for clocks is empty.	The battery is empty.	Please connect the monitor to the power then recharge the battery. Please set (DATE & TIME) in OSD.
E0h ~ EFh	A system error occurred in the monitor.	System error.	Please contact your supplier.

## SNMP Settings

Click on "SNMP" on the left column below HOME.

The SNMP protocol is used to get status information and to control a monitor directly via the network.

### Version:

SNMP v1 Authenticated plaintext by community name, does not return a confirmation message of the trap.

SNMP v2c Authenticated plaintext by community name, returns a confirmation message of the trap.

### Community name:

The default setting of community name is "public". It is read only. You can set community names for up to 3 settings.

### Trap:

Sending error message to a specified address when an error occurs in the monitor.

Check Box	Explanation	Error code
Temperature	Temperature abnormal	0xA0, 0xA1, 0xA2
Fan	Cooling fan abnormal	0x80, 0x81
Power	Power abnormal	0x70, 0x71, 0x72, 0x78
Inverter/Backlight	Inverter or backlight abnormal	0x90, 0x91
No Signal	No signal	0xB0
PROOF OF PLAY	Lower the log storage	0xD0
System Error	System error	0xE0

## AMX Settings

Click on "AMX" on the left column below HOME.

AMX BEACON	<p>To turn on or off for the detection from AMX Device Discovery when connecting to a network supported by an AMX's NetLinx control system.</p> <p><i>HINT:</i> When using a device that supports AMX Device Discovery, all AMX NetLinx control systems will recognize the device and download the appropriate Device Discovery Module from an AMX server. Selecting [ENABLE] AMX Device Discovery will detect the device. Selecting [DISABLE] AMX Device Discovery will not detect the device.</p>
------------	---

## CRESTRON Settings

Click on "CRESTRON" on the left column below HOME.

### CRESTRON ROOMVIEW compatibility

The monitor supports CRESTRON ROOMVIEW, allowing multiple devices connected in the network to be managed and controlled from a computer or a controller.

For further information, visit <http://www.crestron.com>

ROOMVIEW	ROOMVIEW for managing from the computer. ON: Enables ROOMVIEW. OFF: Disables ROOMVIEW.
CRESTRON CONTROL	CRESTRON CONTROL for managing from the controller. ON: Enables CRESTRON CONTROL. OFF: Disables CRESTRON CONTROL.
CONTROLLER IP ADDRESS	Sets the IP address of the CRESTRON SERVER.
IP ID	Sets your CRESTRON SERVER IP ID.

**HINT:** The CRESTRON settings are required only for use with CRESTRON ROOMVIEW.

For further information, visit <http://www.crestron.com>

## Name Settings

Click on "NAME" on the left column below HOME.

MONITOR NAME	Defines a monitor name. The name must be max. 16 characters long. The default is the model name.
HOST NAME (CONTROL)	Type in the hostname of the monitor which is connected to the network. Up to 15 alphanumeric characters can be used.
HOST NAME (MP)	Type in the hostname of the network to be used in the MEDIA PLAYER connected to the monitor. Up to 15 alphanumeric characters can be used.
DOMAIN NAME	Type in the domain name of the network which is connected with the monitor. Up to 60 alphanumeric characters can be used.

## Network Password Settings

Click on "NETWORK PASSWORD" on the left column below HOME.

PJLink CLASS	Set a class for PJLink*. NOTE: PJLink is a network interface standard that JBMIA established. <a href="http://pjlink.jbmia.or.jp/index.html">http://pjlink.jbmia.or.jp/index.html</a> This monitor is available for class1 and class2 command.
NOTIFY FUNCTION ENABLE	Enable or disable a notification of the monitor network condition. This function is only for class2.
NOTIFY ADDRESS	Set IP ADDRESS to which the monitor network status will be sent. This function is only for class2.
PJLink PASSWORD	Set a password for PJLink*. The password must be max. 32 characters long. Do not forget your password. If you forget your password, consult your supplier.
HTTP PASSWORD	Set a password for the HTTP server. The password must be max. 10 characters long.
HTTP PASSWORD ENABLE	A HTTP PASSWORD is required when logging into the HTTP server. Set the monitor name as the USER NAME when entering the password.

\*What is PJLink?

PJLink is a standardization of protocol used for controlling devices of different manufacturers. This standard protocol was established by Japan Business Machine and Information System Industries Association (JBMIA) in 2005. The device supports all commands of PJLink.

## PD LIST Information

Click on "PD LIST" on the left column below HOME.

Shows a list of monitor IDs and IP addresses of multiple monitors which are daisy-chained.

**NOTE:** Only the master monitor can show the list.

## MEMO Settings

Click on "MEMO" on the left column below HOME.

Set a title and message.

TITLE	The title must be max. 24 characters long.
MESSAGE	A message must be max. 240 characters long.
MEMO PASSWORD	The default is "0000".
MEMO PASSWORD ENABLE	A MEMO PASSWORD is required when selecting MEMO PASSWORD ENABLE.

## SD-CARD VIEWER setting

Click "SD-CARD VIEWER" on the left side of HOME.

Please refer to Using SHARED SD card SETTINGS (See page 26).

## External Control

### Connecting external device

There are two ways to connect external device to the monitor.

1. RS-232C terminal.  
Connecting an external device to the RS-232C terminal of the monitor with a RS-232C cable.
2. LAN port.  
Connecting an external device to the LAN port of the monitor with a LAN cable.  
For further information regarding the type of LAN cable to use, please consult your network administrator.

## Connecting interface

### RS-232C Interface

PROTOCOL	RS-232C
BAUD RATE	9600 [bps]
DATA LENGTH	8 [bits]
PARITY	NONE
STOP BIT	1 [bit]
FLOW CONTROL	NONE

### LAN interface

PROTOCOL	TCP
PORT NUMBER	7142
COMMUNICATION SPEED	AUTO setting (10/100Mbps)

## Control command diagram

For other commands, please see "External\_Control.pdf" file on the CD-ROM supplied with the monitor.

Function (Monitor ID = 1)	Code Data
Power ON	01 30 41 30 41 30 43 02 43 32 30 33 44 36 30 30 30 31 03 73 0d
Power OFF	01 30 41 30 41 30 43 02 43 32 30 33 44 36 30 30 30 34 03 76 0d
Input Source Select DisplayPort1	01 30 41 30 45 30 41 02 30 30 36 30 30 30 30 46 03 04 0d or 01 30 41 30 45 30 41 02 31 31 30 36 30 30 30 46 03 04 0d
Input Source Select DisplayPort2	01 30 41 30 45 30 41 02 30 30 36 30 30 30 31 30 03 73 0d or 01 30 41 30 45 30 41 02 31 31 30 36 30 30 31 30 03 73 0d
Input Source Select DVI	01 30 41 30 45 30 41 02 30 30 36 30 30 30 30 33 03 71 0d or 01 30 41 30 45 30 41 02 31 31 30 36 30 30 30 33 03 71 0d
Input Source Select HDMI1	01 30 41 30 45 30 41 02 30 30 36 30 30 30 31 31 03 72 0d or 01 30 41 30 45 30 41 02 31 31 30 36 30 30 31 31 03 72 0d
Input Source Select HDMI2	01 30 41 30 45 30 41 02 30 30 36 30 30 30 31 32 03 71 0d or 01 30 41 30 45 30 41 02 31 31 30 36 30 30 31 32 03 71 0d
Input Source Select VGA (RGB)	01 30 41 30 45 30 41 02 30 30 36 30 30 30 30 31 03 73 0d
Input Source Select VGA (YPbPr)	01 30 41 30 45 30 41 02 30 30 36 30 30 30 30 43 03 01 0d
Input Source Select VIDEO	01 30 41 30 45 30 41 02 30 30 36 30 30 30 30 35 03 77 0d
Input Source Select MP	01 30 41 30 45 30 41 02 30 30 36 30 30 30 38 37 03 7D 0d or 01 30 41 30 45 30 41 02 31 31 30 36 30 30 38 37 03 7D 0d
Input Source Select OPTION	01 30 41 30 45 30 41 02 30 30 36 30 30 30 30 44 03 06 0d or 01 30 41 30 45 30 41 02 31 31 30 36 30 30 30 44 03 06 0d
Sound Mute ON	01 30 41 30 45 30 41 02 30 30 38 44 30 30 30 31 03 09 0d
Sound Mute OFF	01 30 41 30 45 30 41 02 30 30 38 44 30 30 30 32 03 0a 0d

## ASCII Control command

This monitor supports control command which is listed on "External\_Control.pdf" file on the CD-ROM supplied with the monitor, but also supports common ASCII control command which is used for controlling the NEC monitor or projector from a connected PC. For further information please visit our website.

### Parameter

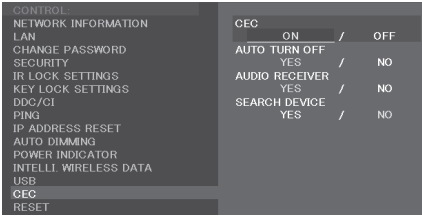
#### Input command

Input signal name	Response	Parameter
DVI	dvi	dvi or dvi1
HDMI1	hdmi1	hdmi1 or hdmi
HDMI2	hdmi2	hdmi2
DisplayPort1	DisplayPort1	DisplayPort1 or DisplayPort
DisplayPort2	DisplayPort2	DisplayPort2
VGA	vga	vga, vga1, computer, computer1, rgb or rgb1
VIDEO	video	video or video1
MP	mp	mp
OPTION	option	option

#### Status command

Response	Error status
error:temp	Temperature abnormal
error:fan	Cooling fan abnormal
error:light	Inverter or backlight abnormal
error:system	System error

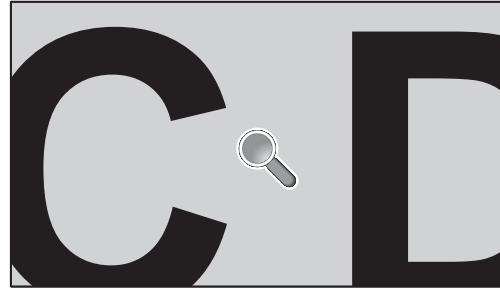
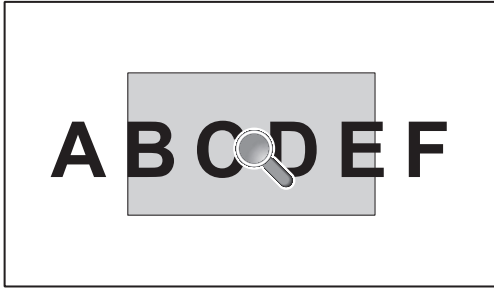
## Supporting HDMI CEC command

OSD menu	HDMI CEC command name	Explanation	Setting
CEC (Consumer Electronics Control)	One Touch Play	If HDMI CEC supporting devices are turned on, the monitor which is connected the devices by HDMI cable is also turned on automatically. After that the input switches to HDMI from an input which you selected. If the monitor is turned on when HDMI CEC devices are turned on, it changes the input from original one to HDMI.	 <p>To set CEC menus please follow the steps below.</p> <p>By using ▲▼ buttons select CONTROL &gt; CEC then press SET/POINT ZOOM button on the CEC.</p> <p>By using + - buttons select ON then press SET/POINT ZOOM button on the ON.</p>
	Remote Control Pass Through	The monitor's wireless remote control button operation is functioning to HDMI CEC supporting devices. For example, if turn on the monitor by wireless remote control and press play button, HDMI CEC supporting devices will also be turned on and play.	
	Power Status	Connected HDMI CEC supporting devices obtains the monitor's power status such as the monitor is in standby mode or on.	
	System Information	This function obtains the information of a connected HDMI CEC supporting device (CEC version, Physical Address). In addition, this function copes with "Change Language function". If the language using at the monitor is changed, the language at connected HDMI CEC supporting device is changed to the same language which is selected at the monitor. For the "Change Language function", it is necessary that the connected HDMI CEC supporting device to be able to cope with multi-language.	
AUTO TURN OFF	System Standby	If the monitor is set to standby by wireless remote control supplied with the monitor, HDMI CEC supporting devices also go into standby at the same time. If the monitor is turned standby while a HDMI CEC supporting device is recording, the device is kept on. Please refer to the user's manual supplied with the HDMI CEC supporting device for further information.	<p>By using ▲▼ buttons select AUTO TURN OFF then press SET/POINT ZOOM.</p> <p>By using + - buttons select YES then press SET/POINT ZOOM button on the YES.</p>
AUDIO RECEIVER	System Audio Control	The function sends digital audio signal through HDMI cable. Please set a HDMI CEC audio amplifier between the monitor and a HDMI CEC supporting devices with HDMI cable. The Volume button on the wireless remote control supplied with the monitor is also controlling volume of the connected HDMI CEC audio amplifier. While this function is active, internal speaker or external speaker connected to the monitor is set to MUTE automatically.	<p>By using ▲▼ buttons select AUDIO RECIEVER then press SET/POINT ZOOM.</p> <p>By using + - buttons select YES then press SET/POINT ZOOM button on the YES.</p>
SEARCH DEVICE	Device OSD Name Transfer	This function obtains the connected HDMI CEC supporting device's name.	By using ▲▼ buttons select SEARCH DEVICE then press SET/POINT ZOOM.
	Routing Control	By selecting device name, HDMI CEC supporting device input switches to the input you selected. After selecting the device, wireless remote control operation is functioning to the selected device.	By using + - buttons select YES then press SET/POINT ZOOM button on the YES.

This CEC function is supporting Feature Abort. We recommend that connecting this monitor to a device supporting HDMI CEC. Please refer to Connections (See page 16) for HDMI CEC devices connection.

# POINT ZOOM

---



Using the “SET/POINT ZOOM” button on the remote control allows to enlarge a partial of the image. Press the CH+/- button to zoom in or out. The image can be expanded up to 10 times.

- 1 Press the [SET/POINT ZOOM] button on the remote control. The icon looks like a magnifier.
- 2 Move the magnifier icon with the [▲] [▼] [+] [-] buttons.
- 3 Press the [CH+] to zoom in. Press [CH-] to zoom out.
- 4 Press the [SET/POINT ZOOM] to let the icon disappear.
- 5 Press the [EXIT] to return to the normal image size.
- 6 Press the [MENU] to open the OSD menu.

- NOTE:**
- Using this function, the image may look distorted.
  - This function is not available when set to IMAGE FLIP (except for NONE), MULTI PICTURE MODE, SCREEN SAVER, SUPER in INPUT CHANGE, CLOSED CAPTION, TILE MATRIX and TEXT TICKER.
  - When DYNAMIC or ZOOM is selected in ASPECT, the image will change to FULL. Then start with POINT ZOOM. After exiting POINT ZOOM, ASPECT will return to the previous ASPECT settings. When ASPECT is changed during the POINT ZOOM operation, DYNAMIC and ZOOM will be set to FULL image.
  - The magnifier icon does not move to a no image area.
  - POINT ZOOM after changing the input signal or when the monitor is powered off.
  - POINT ZOOM will become inactive when changing the ASPECT setting during the POINT ZOOM operation.
  - When the POINT ZOOM is active, the STILL function is not available.
  - POINT ZOOM is not available with a 3840 x 2160 (60 Hz) signal.



# PROOF OF PLAY

This function allows to send messages for the current status of the monitor by self-diagnosis.

Check item		Message
①	INPUT	DVI, DisplayPort1, DisplayPort2, HDMI1, HDMI2, OPTION*, MP, VGA (RGB/YPbPr), VIDEO
②	Resolution	ex. (H)1920, (V)1080 , (H)1360, (V)768 or No signal or Invalid signal
③	AUDIO INPUT	IN1, IN2, DisplayPort1, DisplayPort2, HDMI1, HDMI2, OPTION*, MP
④	Audio signal	Audio in or No Audio in or N/A (IN1, IN2, OPTION (analog)*)
⑤	Picture Image	Normal Picture or No Picture
⑥	AUDIO OUT	Normal Audio or No Audio
⑦	TIME	(year)/(month)/(day)/(hour)/(minutes)/(second)
⑧	EXPANSION DATA	00h: Normal Proof of Play event 01h: Proof of Play event is "last power on time" 10h: MEDIA PLAYER is stop 11h: MEDIA PLAYER is start 12h: MEDIA PLAYER is pause 13h: MEDIA PLAYER error occur 20h: Contents Copy from USB 21h: Contents Copy form network folder 30h: Contents Copy Success 31h: Contents Copy Error (No media) 32h: Contents Copy Error (Connect error) 33h: Contents Copy Error (Out of disk space) 34h: Contents Copy Error (Read/Write error) 40h: Human detected (Human sensor Status) 41h: Human detect cleared (Human Sensor Status)

\*: This function depends on which option board you are using.

## Example:

- ① HDMI1
- ② 1920 x 1080
- ③ HDMI1
- ④ IN1
- ⑤ Normal Picture
- ⑥ Normal Audio
- ⑦ 2014/1/1/0h/0m/0s
- ⑧ 10h: MEDIA PLAYER is stop

**NOTE:** For the Proof of Play function, please see the "External\_Control.pdf" on the CD-ROM supplied with this monitor.

# INTELLIGENT WIRELESS DATA

This function allows to get the monitor status via wireless communication, even while the monitor's main power is off or is not yet installed.

Even some OSD items may be set by using this feature.

**NOTE:** Sensor position: See page 9 and 10.  
Please contact your supplier for detailed information.  
Complied with ISO 15693.

Function name
Setting Copy
Setting read and write function
Display information
Security Setting

## PIP (Picture in Picture) matrix

① DisplayPort = 1.1a/HDMI = MODE1

		Sub picture										
		DisplayPort1	DisplayPort2	DVI	HDMI1	HDMI2	VGA (RGB)	VGA (YPbPr)	Video	OPTION		MP
Main picture	Connector	DisplayPort IN1	DisplayPort IN2	DVI-D	HDMI IN1	HDMI IN2	VGA (RGB, YPbPr)	VIDEO IN	Option board slot (SLOT2 (DP))	Option board slot (SLOT2 (HDMI))	-	
	Main picture	DisplayPort1	DisplayPort IN1	Yes	Yes	Yes	Yes	Yes	Yes	No	Yes	Yes
DisplayPort2		DisplayPort IN2	Yes	Yes	Yes	Yes	Yes	Yes	Yes	Yes	Yes	
DVI		DVI-D	Yes	Yes	Yes	No	Yes	Yes	Yes	No	No	
HDMI1		HDMI IN1	Yes	Yes	No	Yes	Yes	Yes	Yes	No	No	
HDMI2		HDMI IN2	Yes	Yes	Yes	Yes	Yes	Yes	Yes	Yes	Yes	
VGA (RGB)		VGA (RGB, YPbPr)	Yes	Yes	Yes	Yes	Yes	Yes	Yes	Yes	Yes	
VGA (YPbPr)			Yes	Yes	Yes	Yes	Yes	No	Yes	Yes	Yes	
VIDEO		VIDEO IN	Yes	Yes	No	No	Yes	Yes	Yes	Yes	No	
OPTION		Option board slot (SLOT2 (DP))	No	Yes	Yes	Yes	Yes	Yes	Yes	Yes	Yes	Yes
		Option board slot (SLOT2 (HDMI))	Yes	Yes	No	No	Yes	Yes	Yes	No	Yes	No
MP	-	Yes	Yes	No	No	Yes	Yes	Yes	No	Yes		

② DisplayPort = 1.1a/HDMI = MODE2

		Sub picture										
		DisplayPort1	DisplayPort2	DVI	HDMI1	HDMI2	VGA (RGB)	VGA (YPbPr)	Video	OPTION		MP
Main picture	Connector	DisplayPort IN1	DisplayPort IN2	DVI-D	HDMI IN1	HDMI IN2	VGA (RGB, YPbPr)	VIDEO IN	Option board slot (SLOT2 (DP))	Option board slot (SLOT2 (HDMI))	-	
	Main picture	DisplayPort1	DisplayPort IN1	Yes	Yes	Yes	No	No	Yes	Yes	Yes	No
DisplayPort2		DisplayPort IN2	Yes	Yes	Yes	No	No	Yes	Yes	Yes	No	
DVI		DVI-D	Yes	Yes	Yes	No	No	Yes	Yes	No	No	
HDMI1		HDMI IN1	No	No	No	No	No	No	No	No	No	
HDMI2		HDMI IN2	No	No	No	No	No	No	No	No	No	
VGA (RGB)		VGA (RGB, YPbPr)	Yes	Yes	Yes	No	No	Yes	No	Yes	No	
VGA (YPbPr)			Yes	Yes	Yes	No	No	No	Yes	Yes	No	
VIDEO		VIDEO IN	Yes	Yes	No	No	No	Yes	Yes	Yes	No	
OPTION		Option board slot (SLOT2 (DP))	No	Yes	Yes	No	No	Yes	Yes	Yes	No	Yes
		Option board slot (SLOT2 (HDMI))	No	No	No	No	No	No	No	No	No	No
MP	-	Yes	Yes	No	No	No	Yes	Yes	No	Yes		

## ③ DisplayPort = 1.2/HDMI = MODE1

		Sub picture												
		DisplayPort1	DisplayPort2	DVI	HDMI1	HDMI2	VGA (RGB)	VGA (YPbPr)	Video	OPTION		MP		
		Connector	DisplayPort IN1	DisplayPort IN2	DVI-D	HDMI IN1	HDMI IN2	VGA (RGB, YPbPr)	VIDEO IN	Option board slot (SLOT2 (DP))	Option board slot (SLOT2 (HDMI))	-		
Main picture	DisplayPort1	DisplayPort IN1	No	No	No	No	No	No	No	No	No	No	No	
	DisplayPort2	DisplayPort IN2	No	No	No	No	No	No	No	No	No	No	No	
	DVI	DVI-D	No	No	Yes	No	Yes	Yes	Yes	No	No	No	No	
	HDMI1	HDMI IN1	No	No	No	Yes	Yes	Yes	Yes	No	No	No	No	
	HDMI2	HDMI IN2	No	No	Yes	Yes	Yes	Yes	Yes	No	Yes	Yes	Yes	
	VGA (RGB)	VGA (RGB, YPbPr)	No	No	Yes	Yes	Yes	No	No	Yes	No	Yes	Yes	
	VGA (YPbPr)		No	No	Yes	Yes	Yes	Yes	Yes	No	Yes	Yes	Yes	
	VIDEO	VIDEO IN	No	No	No	No	Yes	Yes	Yes	Yes	No	No	No	
	OPTION	Option board slot (SLOT2 (DP))	No	No	No	No	No	No	No	No	No	No	No	No
		Option board slot (SLOT2 (HDMI))	No	No	No	No	Yes	Yes	Yes	No	No	No	No	No
MP	-	No	No	No	No	Yes	Yes	Yes	No	No	No	No	Yes	

## ④ DisplayPort = 1.2/HDMI = MODE2

		Sub picture												
		DisplayPort1	DisplayPort2	DVI	HDMI1	HDMI2	VGA (RGB)	VGA (YPbPr)	Video	OPTION		MP		
		Connector	DisplayPort IN1	DisplayPort IN2	DVI-D	HDMI IN1	HDMI IN2	VGA (RGB, YPbPr)	VIDEO IN	Option board slot (SLOT2 (DP))	Option board slot (SLOT2 (HDMI))	-		
Main picture	DisplayPort1	DisplayPort IN1	No	No	No	No	No	No	No	No	No	No	No	
	DisplayPort2	DisplayPort IN2	No	No	No	No	No	No	No	No	No	No	No	
	DVI	DVI-D	No	No	Yes	No	No	Yes	Yes	No	No	No	No	
	HDMI1	HDMI IN1	No	No	No	No	No	No	No	No	No	No	No	
	HDMI2	HDMI IN2	No	No	No	No	No	No	No	No	No	No	No	
	VGA (RGB)	VGA (RGB, YPbPr)	No	No	Yes	No	No	Yes	No	Yes	No	No	Yes	
	VGA (YPbPr)		No	No	Yes	No	No	No	Yes	Yes	No	No	Yes	
	VIDEO	VIDEO IN	No	No	No	No	No	Yes	Yes	Yes	No	No	No	
	OPTION	Option board slot (SLOT2 (DP))	No	No	No	No	No	No	No	No	No	No	No	No
		Option board slot (SLOT2 (HDMI))	No	No	No	No	No	No	No	No	No	No	No	No
MP	-	No	No	No	No	No	Yes	Yes	No	No	No	No	Yes	

## Video out

Main picture	DisplayPort1	DisplayPort2	DVI	HDMI1	HDMI2	VGA (RGB)	VGA (YPbPr)	Video	OPTION		MP
Connector	DisplayPort IN1	DisplayPort IN2	DVI-D	HDMI IN1	HDMI IN2	VGA (RGB, YPbPr)	VIDEO IN	Option board slot (SLOT2 (DP))	Option board slot (SLOT2 (HDMI))	-	
DisplayPort	Yes	No	No	No	No	No	No	Yes	No	No	

When the monitor output a signal from the DisplayPort out, Please select input signal DisplayPort1 or OPTION.

This monitor's signal output function is supporting contents which is protected by HDCP. In this case, up to 3 monitors are connectable.

When using an option, Please set SLOT2 CH SETTING to 2CH then set SLOT2 CH SELECT to DisplayPort (See page 43).

**NOTE:** To output a signal from the DisplayPort out, some Slot2 type options are only available which have DisplayPort signal out.

# Features

---

**Reduced Footprint:** Provides the ideal solution for environments with superior image quality.

**SPECTRAVIEW ENGINE:** This system is designed for improvement the visual quality of the monitor. Each monitor is calibrated at the factory. By making automatic adjustments during operation of the monitor hardware in real time, optimal settings are configured without any user interaction.

**OmniColor:** Combines Six-axis color control and the sRGB standard. Six-axis color control permits color adjustments via six axes (R, G, B, C, M and Y) rather than through the three axes (R, G and B) previously available. The sRGB standard provides the monitor with a uniform color profile. This assures that the colors displayed on the monitor are exactly the same as on the color printout (with sRGB supporting operating system and sRGB printer). This allows you to adjust the colors on your screen and customise the color accuracy of your monitor to a variety of standards.

**sRGB Color Control:** A color management standard which allows for color matching on computer monitors and other peripherals. The sRGB standard, which is based on a calibrated color space, allows for optimal color representation and backward compatibility with other common color standards.

**OSD (On-Screen-Display) Controls:** Allows you to quickly and easily adjust all elements of your screen image via simple to use on-screen menus.

**Plug and Play:** The Microsoft® solution with the Windows® operating system facilitates setup and installation by allowing the monitor to send its capabilities (such as screen size and resolutions supported) directly to your computer, automatically optimizing display performance.

**IPM (Intelligent Power Manager) System:** Provides innovative power-saving methods that allow the monitor to shift to a lower power consumption level when on but not in use, saving two-thirds of your monitor energy costs, reducing emissions and lowering the air conditioning costs of the workplace.

**FullScan Capability:** Allows you to use the entire screen area in most resolutions, significantly expanding image size.

**VESA Standard (FDMLv1) Mounting Interface:** Allows you to mount the monitor to any VESA standard (FDMLv1) third party mounting arm or bracket. NEC recommends using mounting equipment which complies with TÜV-GS (Germany) and/or UL1678 standard (North America).

**DVI-D:** The digital-only subset of the DVI standard ratified by the Digital Display Working Group (DDWG) for digital connections between computers and monitors. As a digital-only connector, analog support is not provided with a DVI-D connector. As a DVI-based digital only connection, only a simple adapter is necessary for compatibility between DVI-D and other DVI-based digital connectors such as DFP and P&D. The DVI interface of this monitor supports HDCP and supports DVI Dual Link.

**ZOOM:** Expands/reduces the image size in horizontal and vertical direction.

**Self-diagnosis:** If an internal error should occur, a failure state will be indicated.

**USB hub** allows the connection of digital cameras, scanners, keyboards and more.

**HDCP (High-bandwidth Digital Content Protection):** HDCP is a system for preventing illegal copying of video data sent over a digital signal. If you are unable to view material via the digital input, this does not necessarily mean that the monitor is not functioning properly. With the implementation of HDCP, there may be cases in which certain content is protected by HDCP and might not be displayed due to the decision/intention of the HDCP community (Digital Content Protection, LLC).

**Option board slot:** You can use an option board. Please contact your supplier for detailed information.

**DICOM Sim.:** A DICOM gamma curve emulation which is stored inside the monitor as fixed Look Up Table values. When selecting DICOM Sim., these values are loaded into the active Look Up Table of the monitor to create a DICOM like gamma correction curve. Suitable for DICOM image viewing in clinical review. Must not be used for DICOM image viewing in diagnostics.

**TILE MATRIX, TILE COMP:** Shows one image over multiple screens with accuracy while compensating for bezel width.

# Troubleshooting

## No picture

- The signal cable should be completely connected to the display card/computer.
- The display card should be completely seated in its slot.
- Check the main Power Switch, it should be in the ON position.
- Power Switches of monitor and computer should be in the ON position.
- Make sure that a supported resolution has been selected on the display card or system being used. If in doubt, please refer to the user's manual of the display controller or system to change the resolution.
- Check the monitor and your display card with respect to compatibility and recommended signal timings.
- Check the signal cable connector for bent or pushed-in pins.
- The monitor automatically goes into standby at the preset time period after the video signal was lost. Press the power on button on the remote control or press the power button on the monitor.
- Check the DVI MODE settings when a DVD player or computer equipment is connected to the DVI input.
- Check the OPTION POWER setting when you use option board accessories.

## Snowy Picture, Black Screen in DVI input

- Check the DVI MODE setting when a DVD player or computer equipment is connected to the DVI input.

## Power Button does not respond

- Unplug the power cord of the monitor from the AC outlet to turn off and reset the monitor.
- Check the main Power Switch of the monitor.

## Image persistence

- Please be aware that LCD Technology may experience a phenomenon known as Image Persistence. Image Persistence occurs when a residual or "ghost" image of a previous image remains visible on the screen. Unlike CRT monitors, the image persistence of LCD monitors is not permanent, but constant images being displayed for a long period of time should be avoided. To alleviate image persistence, put the monitor into standby via remote control or turn the monitor's main power off for as long as the previous image was displayed. For example, if an image was on the monitor for one hour and a residual image remains, the monitor should be in standby or main power off for one hour to erase the image.

**NOTE:** As with all personal display devices, NEC DISPLAY SOLUTIONS recommends displaying moving images and using a moving screen saver at regular intervals whenever the screen is idle or turning it into standby or main power off of the monitor when not in use.

## The image is blinking

- If you use a signal repeater or distributor or a long cable, this may cause image roughness or blink for a moment. In this case please connect the cable to the monitor directly without using a repeater or a distributor, or replace the cable with a higher quality cable. Using a twisted pair extender may cause image roughness depending on the environment where the monitor is in or the cable you are using. For further information please ask your supplier.
- Some HDMI cables may not show a correct image. If input resolution is 1920 x 2160, 3840 x 2160 or 4096 x 2160, please use a HDMI cable which is approved to support 4K resolution.

## The image is unstable, unfocused or swimming is apparent

- The signal cable should be completely attached to the computer.
- Use the OSD Image Adjust controls to focus and adjust display by increasing or decreasing the fine adjustment. When the display mode is changed, the OSD Image Adjust settings may need to be re-adjusted.
- Check the monitor and your display card with respect to compatibility and recommended signal timings.
- If text looks garbled, change the video mode to non-interlaced and use a 60 Hz refresh rate.
- The image may be distorted when turning the power on or changing the settings.

## The image of component signal is greenish

- Check to see if the VGA (YPbPr) input connector is selected.

## LED on the monitor is not lit (no blue or red color can be seen)

- The power Switch should be in the ON position and the power cord should be connected.
- Check the main Power Switch, it should be in the ON position.
- Make certain the computer is not in a power-saving mode (touch the keyboard or move the mouse).
- Check in the OSD that the power indicator option is set to ON.

## LED colors, except for blue, are blinking or glowing

- A certain failure might have occurred, please contact your supplier.
- If the monitor is powered off by the internal temperature being higher than the normal operating temperature, the LED will blink green or amber or red for six times. Power on the monitor again after confirming the internal temperature has been reduced to normal operation temperature.
- The monitor could be in standby. Press the power on button on the remote control or press the power button on the monitor.

## The image is not properly reproduced

- Use the OSD Image Adjust controls to increase or decrease the coarse adjustment.
- Make sure that a supported resolution has been selected on the display card or system being used. If in doubt, please refer to the user's manual of the display card or system to change the resolution.

**Selected resolution is not displayed properly**

- Use OSD Display Mode to enter Information menu and confirm that the appropriate resolution has been selected. If not, select corresponding option.

**No Sound**

- Check to see if the audio cable is properly connected.
- Check to see if MUTE is activated. Use the remote control to enable or disable the Mute function.
- Check to see if VOLUME is set to a minimum.
- Check to see if the computer supports an audio signal through DisplayPort.  
If unsure, contact your supplier.
- When LINE OUT is not functioning, check to see if SURROUND is ON.
- Check the Internal/External speaker switch.
- If HDMI CEC audio device is not connected, please set "AUDIO RECEIVER" to OFF.

**The Remote Control is not functioning**

- Check the batteries status of the Remote Control.
- Check if the batteries are inserted correctly.
- Check if the Remote Control is pointing at the remote control sensor of the monitor.
- Check the status of IR LOCK SETTINGS.
- The remote control system may not function when direct sunlight or strong illumination strikes the remote control sensor of the monitor, or when there is an object in the path.

**The SCHEDULE/OFF TIMER function is not working properly**

- The "SCHEDULE" function will be disabled when the "OFF TIMER" is set.
- If the "OFF TIMER" function is enabled and the power to the LCD monitor is turned off when the power supply is interrupted unexpectedly, then the "OFF TIMER" will be reset.

**Snowy Picture, Poor Sound in TV**

- Check antenna/cable connection. Use new cable if necessary.

**The USB Hub does not operate**

- Check to make sure that the USB cable is properly connected. Refer to your USB device user's manual.
- Check if the USB upstream port on the monitor is connected to the USB downstream port on the computer. Please make sure the computer is ON or USB POWER is ON.
- Disconnect one upstream USB cable when using 2 upstream connections.

**Interference in TV**

- Check components for shielding, move away from monitor if necessary.

**USB or RS-232C or LAN control is not available**

- Check RS-232C (reverse type) or the LAN cable. A category 5 or higher LAN cable is required for connection.
- Check USB cable connected to USB2 port. Check the EXTERNAL CONTROL is set to ENABLE then PC SOURCE is set to EXTERNAL PC.

**The monitor goes into standby automatically**

- Please check "OFF TIMER" setting.
- Set the "CEC" function to OFF.

**Media player function does not recognize the USB storage device**

- Please check a USB storage device is connected to the USB MP.

Either light vertical or horizontal stripes may appear, depending on the specific image pattern. This is not a product fault or degradation.

# Specifications - P404

## Product Specifications

LCD Module		40"/101.61 cm diagonal	
		Pixel Pitch:	0.461 mm
		Resolution:	1920 x 1080
		Color:	Over 1073 million colors (depending on display card used)
		Brightness:	700 cd/m <sup>2</sup> (Max.) @25°C
		Contrast Ratio:	4000:1
		Viewing Angle:	89° (typ) @ CR>10
Frequency		Horizontal:	15.625/15.734 kHz, 31.5 kHz - 91.1 kHz
		Vertical:	50.0 - 85.0 Hz (Analog Input) 24.0 - 85.0 Hz (Digital Input)
Pixel Clock		Analog: 13.5 MHz, 25.0 MHz - 195.0 MHz Digital: 25.0 MHz - 165.0 MHz (DVI), 25.0 MHz - 600.0 MHz (HDMI/DisplayPort)	
Viewable Size		885.6 x 498.15 mm	
Input Signal			
DVI	DVI-D 24pin	Digital RGB	DVI (HDCP) VGA60, SVGA60, XGA60, WXGA60, SXGA60, UXGA60* <sup>1</sup> , 1920X1080 (60Hz), 1080p, 1080i
DisplayPort	DisplayPort Connector	Digital RGB	The DisplayPort input complies with Standard V1.2, applicable to HDCP VGA60, SVGA60, XGA60, WXGA60, SXGA60, UXGA60* <sup>1</sup> , WUXGA60* <sup>1</sup> , 1920x1080 (60 Hz), 1080p, 1080i, 720p@50Hz/60Hz, 576p@50Hz, 480p@60Hz, 3840x2160 (24Hz/30Hz/60Hz (DisplayPort1.2))* <sup>1, *3</sup>
VGA (RGB)* <sup>4</sup>	15pin Mini D-sub	Analog RGB	0.7 Vp-p/75 ohm VGA60, SVGA60, XGA60, WXGA60, SXGA60, UXGA60* <sup>1</sup> , WUXGA60* <sup>1</sup> , 1920X1080 (60Hz)
		Sync	Separate: TTL level (Pos./Neg.) Composite sync on Green Video: 0.3 Vp-p Neg.
HDMI	HDMI Connector	Digital YUV Digital RGB	HDMI VGA60, SVGA60, XGA60, WXGA60, SXGA60, UXGA60* <sup>1</sup> , WUXGA60* <sup>1</sup> , 1920x1080 (60 Hz), 1080p, 1080i, 720p@50Hz/60Hz, 576p@50Hz, 480p@60Hz, 576i@50Hz, 480i@60Hz, 3840x2160 (30Hz/24Hz/25Hz/60Hz (MODE2))* <sup>1, *3</sup> , 4096x2160 (24Hz)* <sup>1, *3</sup>
VGA (YPbPr)* <sup>4</sup>	15pin Mini D-sub	Component	Y: 1.0 Vp-p/75ohm, Cb/Cr (Pb/Pr): 0.7 Vp-p/75 ohm HDTV/DVD: 1080p, 1080i, 720p@50Hz/60Hz, 576p@50Hz, 480p@60Hz, 576i@50Hz, 480i@60Hz
VIDEO* <sup>4</sup>	RCA port	Composite	1.0 Vp-p/75 ohm NTSC/PAL/SECAM/4.43NTSC/PAL60
Output Signal			
DisplayPort	DisplayPort Connector	Digital RGB	DisplayPort complies with Standard V1.2, applicable to HDCP
AUDIO			
AUDIO Input	Stereo Mini Jack	Analog Audio	Stereo L/R 0.5 Vrms
	HDMI Connector	Digital Audio	PCM 32, 44.1, 48 KHz (16/20/24bit)
	DisplayPort Connector	Digital Audio	PCM 32, 44.1, 48 KHz (16/20/24bit)
AUDIO Output	Stereo Mini Jack	Analog Audio	Stereo L/R 0.5 Vrms
Speaker Output		External Speaker Jack 15 W + 15 W (8 ohm) Internal Speaker 10 W + 10 W (Stereo)	
Control		RS-232C In:	9 Pin D-sub
		LAN:	RJ-45 10 BASE-T/100 BASE-TX x 2
		Remote IN:	Stereo Mini Jack 3.5 mm Ø
SD card Hub		Port: microSD card. Up to 32GB microSDHC is supported.	
USB Hub		USB1:	USB 2.0 Downstream port
		USB2:	USB 2.0 Upstream port
		USB CM1 (2A):	Power supply port, 5V/2A
		USB CM2:	USB service port for maintenance
		USB MP:	Media Player/Firmware update port
Power Supply		2.9 - 1.2 A @ 100-240V AC, 50/60Hz	
Power Consumption		Normal operation:	Approx. 92 W
Operational Environment		Temperature* <sup>2</sup> :	0 - 40°C / 32 - 104°F, 0 - 35°C / 32 - 95°F (Slot 2 type PC with Face up position or with Face down position)
		Humidity:	20 - 80% (without condensation)
		Altitude:	0 - 3000 m (Brightness may decrease with altitude)
Storage Environment		Temperature:	-20 - 60°C / -4 - 140°F
		Humidity:	10 - 90% (without condensation) / 90% - 3.5% x (Temp - 40°C) regarding over 40°C
Dimension		918 (W) x 530.6 (H) x 54.7 (D) mm/36.1 (W) x 20.9 (H) x 2.2 (D) inches (w/o Deco Dimension)	
Weight		14.3 kg (31.5 lbs)	
VESA compatible mounting interface		300 mm x 300 mm (M6, 4 Holes)	
Power Management		VESA DPM	
Plug & Play		VESA DDC2Bi, DDC/CI, DisplayPort	
Power supply for Slot 2 type OPTION		16V/3.6 A	

**NOTE:** Technical specifications are subject to change without notice.

\*1: Compressed image.

\*2: When you use option board accessories, please contact your supplier for detailed information.

\*3: Reproduced text may look blurred.

\*4: Common terminal.

# Specifications - V404

## Product Specifications

LCD Module		Pixel Pitch: 0.461 mm Resolution: 1920 x 1080 Color: Over 1073 million colors (depending on display card used) Brightness: 500 cd/m <sup>2</sup> (Max.) @25°C Contrast Ratio: 4000:1 Viewing Angle: 89° (typ) @ CR>10	40"/101.61 cm diagonal
Frequency		Horizontal: 15.625/15.734 kHz, 31.5 kHz - 91.1 kHz Vertical: 50.0 - 85.0 Hz (Analog Input) 24.0 - 85.0 Hz (Digital Input)	
Pixel Clock		Analog: 13.5 MHz, 25.0 MHz - 195.0 MHz Digital: 25.0 MHz - 165.0 MHz (DVI), 25.0 MHz - 600.0 MHz (HDMI/DisplayPort)	
Viewable Size		885.6 x 498.15 mm	
Input Signal			
DVI	DVI-D 24pin	Digital RGB	DVI (HDCP) VGA60, SVGA60, XGA60, WXGA60, SXGA60, UXGA60* <sup>1</sup> , 1920X1080 (60Hz), 1080p, 1080i
DisplayPort	DisplayPort Connector	Digital RGB	The DisplayPort input complies with Standard V1.2, applicable to HDCP VGA60, SVGA60, XGA60, WXGA60, SXGA60, UXGA60* <sup>1</sup> , WUXGA60* <sup>1</sup> , 1920x1080 (60 Hz), 1080p, 1080i, 720p@50Hz/60Hz, 576p@50Hz, 480p@60Hz, 3840x2160 (24Hz/30Hz/60Hz (DisplayPort1.2))* <sup>1, *3</sup>
VGA (RGB)* <sup>4</sup>	15pin Mini D-sub	Analog RGB	0.7 Vp-p/75 ohm VGA60, SVGA60, XGA60, WXGA60, SXGA60, UXGA60* <sup>1</sup> , WUXGA60* <sup>1</sup> , 1920X1080 (60Hz)
		Sync	Separate: TTL level (Pos./Neg.) Composite sync on Green Video: 0.3 Vp-p Neg.
HDMI	HDMI Connector	Digital YUV Digital RGB	HDMI VGA60, SVGA60, XGA60, WXGA60, SXGA60, UXGA60* <sup>1</sup> , WUXGA60* <sup>1</sup> , 1920x1080 (60 Hz), 1080p, 1080i, 720p@50Hz/60Hz, 576p@50Hz, 480p@60Hz, 576i@50Hz, 480i@60Hz, 3840x2160 (30Hz/24Hz/25Hz/60Hz (MODE2))* <sup>1, *3</sup> , 4096x2160 (24Hz)* <sup>1, *3</sup>
VGA (YPbPr)* <sup>4</sup>	15pin Mini D-sub	Component	Y: 1.0 Vp-p/75ohm, Cb/Cr (Pb/Pr): 0.7 Vp-p/75 ohm HDTV/DVD: 1080p, 1080i, 720p@50Hz/60Hz, 576p@50Hz, 480p@60Hz, 576i@50Hz, 480i@60Hz
VIDEO* <sup>4</sup>	RCA port	Composite	1.0 Vp-p/75 ohm NTSC/PAL/SECAM/4.43NTSC/PAL60
Output Signal			
DisplayPort	DisplayPort Connector	Digital RGB	DisplayPort complies with Standard V1.2, applicable to HDCP
AUDIO			
AUDIO Input	Stereo Mini Jack	Analog Audio	Stereo L/R 0.5 Vrms
	HDMI Connector	Digital Audio	PCM 32, 44.1, 48 KHz (16/20/24bit)
	DisplayPort Connector	Digital Audio	PCM 32, 44.1, 48 KHz (16/20/24bit)
AUDIO Output	Stereo Mini Jack	Analog Audio	Stereo L/R 0.5 Vrms
Speaker Output		External Speaker Jack 15 W + 15 W (8 ohm) Internal Speaker 10 W + 10 W (Stereo)	
Control		RS-232C In: 9 Pin D-sub LAN: RJ-45 10 BASE-T/100 BASE-TX x 2 Remote IN: Stereo Mini Jack 3.5 mm Ø	
SD card Hub		Port: microSD card. Up to 32GB microSDHC is supported.	
USB Hub		USB1: USB 2.0 Downstream port USB2: USB 2.0 Upstream port USB CM1 (2A): Power supply port, 5V/2A USB CM2: USB service port for maintenance USB MP: Media Player/Firmware update port	
Power Supply		2.7 - 1.1 A @ 100-240V AC, 50/60Hz	
Power Consumption		Normal operation:	Approx. 85 W
Operational Environment		Temperature* <sup>2</sup> : 0 - 40°C / 32 - 104°F, 0 - 35°C / 32 - 95°F (Slot 2 type PC with Face up position or with Face down position) Humidity: 20 - 80% (without condensation) Altitude: 0 - 3000 m (Brightness may decrease with altitude)	
Storage Environment		Temperature: -20 - 60°C / -4 - 140°F Humidity: 10 - 90% (without condensation) / 90% - 3.5% x (Temp - 40°C) regarding over 40°C	
Dimension		918 (W) x 530.6 (H) x 54.7 (D) mm/36.1 (W) x 20.9 (H) x 2.2 (D) inches (w/o Deco Dimension)	
Weight		14.3 kg (31.5 lbs)	
VESA compatible mounting interface		300 mm x 300 mm (M6, 4 Holes)	
Power Management		VESA DPM	
Plug & Play		VESA DDC2Bi, DDC/CI, DisplayPort	
Power supply for Slot 2 type OPTION		16V/3.6 A	

**NOTE:** Technical specifications are subject to change without notice.

\*1: Compressed image.

\*2: When you use option board accessories, please contact your supplier for detailed information.

\*3: Reproduced text may look blurred.

\*4: Common terminal.



# Specifications - P484

## Product Specifications

LCD Module		48"/120.94 cm diagonal	
		Pixel Pitch:	0.549 mm
		Resolution:	1920 x 1080
		Color:	Over 1073 million colors (depending on display card used)
		Brightness:	700 cd/m <sup>2</sup> (Max.) @25°C
		Contrast Ratio:	4000:1
		Viewing Angle:	89° (typ) @ CR>10
Frequency		Horizontal:	15.625/15.734 kHz, 31.5 kHz - 91.1 kHz
		Vertical:	50.0 - 85.0 Hz (Analog Input) 24.0 - 85.0 Hz (Digital Input)
Pixel Clock		Analog: 13.5 MHz, 25.0 MHz - 195.0 MHz Digital: 25.0 MHz - 165.0 MHz (DVI), 25.0 MHz - 600.0 MHz (HDMI/DisplayPort)	
Viewable Size		1054.08 x 592.92 mm	
Input Signal			
DVI	DVI-D 24pin	Digital RGB	DVI (HDCP) VGA60, SVGA60, XGA60, WXGA60, SXGA60, UXGA60*1, 1920X1080 (60Hz), 1080p, 1080i
DisplayPort	DisplayPort Connector	Digital RGB	The DisplayPort input complies with Standard V1.2, applicable to HDCP VGA60, SVGA60, XGA60, WXGA60, SXGA60, UXGA60*1, WUXGA60*1, 1920x1080 (60 Hz), 1080p, 1080i, 720p@50Hz/60Hz, 576p@50Hz, 480p@60Hz, 3840x2160 (24Hz/30Hz/60Hz (DisplayPort1.2))*1,*3
VGA (RGB)*4	15pin Mini D-sub	Analog RGB	0.7 Vp-p/75 ohm VGA60, SVGA60, XGA60, WXGA60, SXGA60, UXGA60*1, WUXGA60*1, 1920X1080 (60Hz)
		Sync	Separate: TTL level (Pos./Neg.) Composite sync on Green Video: 0.3 Vp-p Neg.
HDMI	HDMI Connector	Digital YUV Digital RGB	HDMI VGA60, SVGA60, XGA60, WXGA60, SXGA60, UXGA60*1, WUXGA60*1, 1920x1080 (60 Hz), 1080p, 1080i, 720p@50Hz/60Hz, 576p@50Hz, 480p@60Hz, 576i@50Hz, 480i@60Hz, 3840x2160 (30Hz/24Hz/25Hz/60Hz (MODE2))*1,*3, 4096x2160 (24Hz)*1,*3
VGA (YPbPr)*4	15pin Mini D-sub	Component	Y: 1.0 Vp-p/75ohm, Cb/Cr (Pb/Pr): 0.7 Vp-p/75 ohm HDTV/DVD: 1080p, 1080i, 720p@50Hz/60Hz, 576p@50Hz, 480p@60Hz, 576i@50Hz, 480i@60Hz
VIDEO*4	RCA port	Composite	1.0 Vp-p/75 ohm NTSC/PAL/SECAM/4.43NTSC/PAL60
Output Signal			
DisplayPort	DisplayPort Connector	Digital RGB	DisplayPort complies with Standard V1.2, applicable to HDCP
AUDIO			
AUDIO Input	Stereo Mini Jack	Analog Audio	Stereo L/R 0.5 Vrms
	HDMI Connector	Digital Audio	PCM 32, 44.1, 48 KHz (16/20/24bit)
	DisplayPort Connector	Digital Audio	PCM 32, 44.1, 48 KHz (16/20/24bit)
AUDIO Output	Stereo Mini Jack	Analog Audio	Stereo L/R 0.5 Vrms
Speaker Output		External Speaker Jack 15 W + 15 W (8 ohm) Internal Speaker 10 W + 10 W (Stereo)	
Control		RS-232C In:	9 Pin D-sub
		LAN:	RJ-45 10 BASE-T/100 BASE-TX x 2
		Remote IN:	Stereo Mini Jack 3.5 mm Ø
SD card Hub		Port: microSD card. Up to 32GB microSDHC is supported.	
USB Hub		USB1:	USB 2.0 Downstream port
		USB2:	USB 2.0 Upstream port
		USB CM1 (2A):	Power supply port, 5V/2A
		USB CM2:	USB service port for maintenance
		USB MP:	Media Player/Firmware update port
Power Supply		3.1 - 1.2 A @ 100-240V AC, 50/60Hz	
Power Consumption		Normal operation:	Approx. 105 W
Operational Environment		Temperature*2:	0 - 40°C / 32 - 104°F, 0 - 35°C / 32 - 95°F (Slot 2 type PC with Face up position or with Face down position)
		Humidity:	20 - 80% (without condensation)
		Altitude:	0 - 3000 m (Brightness may decrease with altitude)
Storage Environment		Temperature:	-20 - 60°C / -4 - 140°F
		Humidity:	10 - 90% (without condensation) / 90% - 3.5% x (Temp - 40°C) regarding over 40°C
Dimension		1086.5 (W) x 625.3 (H) x 54.7 (D) mm/42.8 (W) x 24.6 (H) x 2.2 (D) inches (w/o Deco Dimension)	
Weight		17.6 kg (38.8 lbs)	
VESA compatible mounting interface		300 mm x 300 mm (M6, 4 Holes)	
Power Management		VESA DPM	
Plug & Play		VESA DDC2Bi, DDC/CI, DisplayPort	
Power supply for Slot 2 type OPTION		16V/3.6 A	

**NOTE:** Technical specifications are subject to change without notice.

\*1: Compressed image.

\*2: When you use option board accessories, please contact your supplier for detailed information.

\*3: Reproduced text may look blurred.

\*4: Common terminal.

# Specifications - V484

## Product Specifications

LCD Module		Pixel Pitch: 0.549 mm Resolution: 1920 x 1080 Color: Over 1073 million colors (depending on display card used) Brightness: 500 cd/m <sup>2</sup> (Max.) @25°C Contrast Ratio: 4000:1 Viewing Angle: 89° (typ) @ CR>10	48"/120.94 cm diagonal
Frequency		Horizontal: 15.625/15.734 kHz, 31.5 kHz - 91.1 kHz Vertical: 50.0 - 85.0 Hz (Analog Input) 24.0 - 85.0 Hz (Digital Input)	
Pixel Clock		Analog: 13.5 MHz, 25.0 MHz - 195.0 MHz Digital: 25.0 MHz - 165.0 MHz (DVI), 25.0 MHz - 600.0 MHz (HDMI/DisplayPort)	
Viewable Size		1054.08 x 592.92 mm	
Input Signal			
DVI	DVI-D 24pin	Digital RGB	DVI (HDCP) VGA60, SVGA60, XGA60, WXGA60, SXGA60, UXGA60* <sup>1</sup> , 1920X1080 (60Hz), 1080p, 1080i
DisplayPort	DisplayPort Connector	Digital RGB	The DisplayPort input complies with Standard V1.2, applicable to HDCP VGA60, SVGA60, XGA60, WXGA60, SXGA60, UXGA60* <sup>1</sup> , WUXGA60* <sup>1</sup> , 1920x1080 (60 Hz), 1080p, 1080i, 720p@50Hz/60Hz, 576p@50Hz, 480p@60Hz, 3840x2160 (24Hz/30Hz/60Hz (DisplayPort1.2))* <sup>1, *3</sup>
VGA (RGB)* <sup>4</sup>	15pin Mini D-sub	Analog RGB	0.7 Vp-p/75 ohm VGA60, SVGA60, XGA60, WXGA60, SXGA60, UXGA60* <sup>1</sup> , WUXGA60* <sup>1</sup> , 1920X1080 (60Hz)
		Sync	Separate: TTL level (Pos./Neg.) Composite sync on Green Video: 0.3 Vp-p Neg.
HDMI	HDMI Connector	Digital YUV Digital RGB	HDMI VGA60, SVGA60, XGA60, WXGA60, SXGA60, UXGA60* <sup>1</sup> , WUXGA60* <sup>1</sup> , 1920x1080 (60 Hz), 1080p, 1080i, 720p@50Hz/60Hz, 576p@50Hz, 480p@60Hz, 576i@50Hz, 480i@60Hz, 3840x2160 (30Hz/24Hz/25Hz/60Hz (MODE2))* <sup>1, *3</sup> , 4096x2160 (24Hz)* <sup>1, *3</sup>
VGA (YPbPr)* <sup>4</sup>	15pin Mini D-sub	Component	Y: 1.0 Vp-p/75ohm, Cb/Cr (Pb/Pr): 0.7 Vp-p/75 ohm HDTV/DVD: 1080p, 1080i, 720p@50Hz/60Hz, 576p@50Hz, 480p@60Hz, 576i@50Hz, 480i@60Hz
VIDEO* <sup>4</sup>	RCA port	Composite	1.0 Vp-p/75 ohm NTSC/PAL/SECAM/4.43NTSC/PAL60
Output Signal			
DisplayPort	DisplayPort Connector	Digital RGB	DisplayPort complies with Standard V1.2, applicable to HDCP
AUDIO			
AUDIO Input	Stereo Mini Jack	Analog Audio	Stereo L/R 0.5 Vrms
	HDMI Connector	Digital Audio	PCM 32, 44.1, 48 KHz (16/20/24bit)
	DisplayPort Connector	Digital Audio	PCM 32, 44.1, 48 KHz (16/20/24bit)
AUDIO Output	Stereo Mini Jack	Analog Audio	Stereo L/R 0.5 Vrms
Speaker Output		External Speaker Jack 15 W + 15 W (8 ohm) Internal Speaker 10 W + 10 W (Stereo)	
Control		RS-232C In: 9 Pin D-sub LAN: RJ-45 10 BASE-T/100 BASE-TX x 2 Remote IN: Stereo Mini Jack 3.5 mm Ø	
SD card Hub		Port: microSD card. Up to 32GB microSDHC is supported.	
USB Hub		USB1: USB 2.0 Downstream port USB2: USB 2.0 Upstream port USB CM1 (2A): Power supply port, 5V/2A USB CM2: USB service port for maintenance USB MP: Media Player/Firmware update port	
Power Supply		2.7 - 1.1 A @ 100-240V AC, 50/60Hz	
Power Consumption		Normal operation:	Approx. 85 W
Operational Environment		Temperature* <sup>2</sup> : 0 - 40°C / 32 - 104°F, 0 - 35°C / 32 - 95°F (Slot 2 type PC with Face up position or with Face down position) Humidity: 20 - 80% (without condensation) Altitude: 0 - 3000 m (Brightness may decrease with altitude)	
Storage Environment		Temperature: -20 - 60°C / -4 - 140°F Humidity: 10 - 90% (without condensation) / 90% - 3.5% x (Temp - 40°C) regarding over 40°C	
Dimension		1086.5 (W) x 625.3 (H) x 54.7 (D) mm/42.8 (W) x 24.6 (H) x 2.2 (D) inches (w/o Deco Dimension)	
Weight		17.6 kg (38.8 lbs)	
VESA compatible mounting interface		300 mm x 300 mm (M6, 4 Holes)	
Power Management		VESA DPM	
Plug & Play		VESA DDC2Bi, DDC/CI, DisplayPort	
Power supply for Slot 2 type OPTION		16V/3.6 A	

**NOTE:** Technical specifications are subject to change without notice.

\*1: Compressed image.

\*2: When you use option board accessories, please contact your supplier for detailed information.

\*3: Reproduced text may look blurred.

\*4: Common terminal.

# Specifications - P554

## Product Specifications

LCD Module		Pixel Pitch: 0.630 mm Resolution: 1920 x 1080 Color: Over 1073 million colors (depending on display card used) Brightness: 700 cd/m <sup>2</sup> (Max.) @25°C Contrast Ratio: 1200:1 Viewing Angle: 89° (typ) @ CR>10	55"/138.78 cm diagonal
Frequency		Horizontal: 15.625/15.734 kHz, 31.5 kHz - 91.1 kHz Vertical: 50.0 - 85.0 Hz (Analog Input) 24.0 - 85.0 Hz (Digital Input)	
Pixel Clock		Analog: 13.5 MHz, 25.0 MHz - 195.0 MHz Digital: 25.0 MHz - 165.0 MHz (DVI), 25.0 MHz - 600.0 MHz (HDMI/DisplayPort)	
Viewable Size		1209.6 x 680.4 mm	
Input Signal			
DVI	DVI-D 24pin	Digital RGB	DVI (HDCP) VGA60, SVGA60, XGA60, WXGA60, SXGA60, UXGA60* <sup>1</sup> , 1920X1080 (60Hz), 1080p, 1080i
DisplayPort	DisplayPort Connector	Digital RGB	The DisplayPort input complies with Standard V1.2, applicable to HDCP VGA60, SVGA60, XGA60, WXGA60, SXGA60, UXGA60* <sup>1</sup> , WUXGA60* <sup>1</sup> , 1920x1080 (60 Hz), 1080p, 1080i, 720p@50Hz/60Hz, 576p@50Hz, 480p@60Hz, 3840x2160 (24Hz/30Hz/60Hz (DisplayPort1.2))* <sup>1, *3</sup>
VGA (RGB)* <sup>4</sup>	15pin Mini D-sub	Analog RGB	0.7 Vp-p/75 ohm VGA60, SVGA60, XGA60, WXGA60, SXGA60, UXGA60* <sup>1</sup> , WUXGA60* <sup>1</sup> , 1920X1080 (60Hz)
		Sync	Separate: TTL level (Pos./Neg.) Composite sync on Green Video: 0.3 Vp-p Neg.
HDMI	HDMI Connector	Digital YUV Digital RGB	HDMI VGA60, SVGA60, XGA60, WXGA60, SXGA60, UXGA60* <sup>1</sup> , WUXGA60* <sup>1</sup> , 1920x1080 (60 Hz), 1080p, 1080i, 720p@50Hz/60Hz, 576p@50Hz, 480p@60Hz, 576i@50Hz, 480i@60Hz, 3840x2160 (30Hz/24Hz/25Hz/60Hz (MODE2))* <sup>1, *3</sup> , 4096x2160 (24Hz)* <sup>1, *3</sup>
VGA (YPbPr)* <sup>4</sup>	15pin Mini D-sub	Component	Y: 1.0 Vp-p/75ohm, Cb/Cr (Pb/Pr): 0.7 Vp-p/75 ohm HDTV/DVD: 1080p, 1080i, 720p@50Hz/60Hz, 576p@50Hz, 480p@60Hz, 576i@50Hz, 480i@60Hz
VIDEO* <sup>4</sup>	RCA port	Composite	1.0 Vp-p/75 ohm NTSC/PAL/SECAM/4.43NTSC/PAL60
Output Signal			
DisplayPort	DisplayPort Connector	Digital RGB	DisplayPort complies with Standard V1.2, applicable to HDCP
AUDIO			
AUDIO Input	Stereo Mini Jack	Analog Audio	Stereo L/R 0.5 Vrms
	HDMI Connector	Digital Audio	PCM 32, 44.1, 48 KHz (16/20/24bit)
	DisplayPort Connector	Digital Audio	PCM 32, 44.1, 48 KHz (16/20/24bit)
AUDIO Output	Stereo Mini Jack	Analog Audio	Stereo L/R 0.5 Vrms
Speaker Output		External Speaker Jack 15 W + 15 W (8 ohm) Internal Speaker 10 W + 10 W (Stereo)	
Control		RS-232C In: 9 Pin D-sub LAN: RJ-45 10 BASE-T/100 BASE-TX x 2 Remote IN: Stereo Mini Jack 3.5 mm Ø	
SD card Hub		Port: microSD card. Up to 32GB microSDHC is supported.	
USB Hub		USB1: USB 2.0 Downstream port USB2: USB 2.0 Upstream port USB CM1 (2A): Power supply port, 5V/2A USB CM2: USB service port for maintenance USB MP: Media Player/Firmware update port	
Power Supply		3.6 - 1.5 A @ 100-240V AC, 50/60Hz	
Power Consumption		Normal operation:	Approx. 125 W
Operational Environment		Temperature* <sup>2</sup> : 0 - 40°C / 32 - 104°F, 0 - 35°C / 32 - 95°F (Slot 2 type PC with Face up position or with Face down position) Humidity: 20 - 80% (without condensation) Altitude: 0 - 3000 m (Brightness may decrease with altitude)	
Storage Environment		Temperature: -20 - 60°C / -4 - 140°F Humidity: 10 - 90% (without condensation) / 90% - 3.5% x (Temp - 40°C) regarding over 40°C	
Dimension		1244 (W) x 714.8 (H) x 62.9 (D) mm/49 (W) x 28.1 (H) x 2.5 (D) inches (w/o Deco Dimension)	
Weight		24.6 kg (54.2 lbs)	
VESA compatible mounting interface		300 mm x 300 mm (M6, 4 Holes)	
Power Management		VESA DPM	
Plug & Play		VESA DDC2Bi, DDC/CI, DisplayPort	
Power supply for Slot 2 type OPTION		16V/3.6 A	

**NOTE:** Technical specifications are subject to change without notice.

\*1: Compressed image.

\*2: When you use option board accessories, please contact your supplier for detailed information.

\*3: Reproduced text may look blurred.

\*4: Common terminal.

# Specifications - V554

## Product Specifications

LCD Module		Pixel Pitch: 0.630 mm Resolution: 1920 x 1080 Color: Over 1073 million colors (depending on display card used) Brightness: 500 cd/m <sup>2</sup> (Max.) @25°C Contrast Ratio: 1200:1 Viewing Angle: 89° (typ) @ CR>10	55"/138.78 cm diagonal
Frequency		Horizontal: 15.625/15.734 kHz, 31.5 kHz - 91.1 kHz Vertical: 50.0 - 85.0 Hz (Analog Input) 24.0 - 85.0 Hz (Digital Input)	
Pixel Clock		Analog: 13.5 MHz, 25.0 MHz - 195.0 MHz Digital: 25.0 MHz - 165.0 MHz (DVI), 25.0 MHz - 600.0 MHz (HDMI/DisplayPort)	
Viewable Size		1209.6 x 680.4 mm	
Input Signal			
DVI	DVI-D 24pin	Digital RGB	DVI (HDCP) VGA60, SVGA60, XGA60, WXGA60, SXGA60, UXGA60* <sup>1</sup> , 1920X1080 (60Hz), 1080p, 1080i
DisplayPort	DisplayPort Connector	Digital RGB	The DisplayPort input complies with Standard V1.2, applicable to HDCP VGA60, SVGA60, XGA60, WXGA60, SXGA60, UXGA60* <sup>1</sup> , WUXGA60* <sup>1</sup> , 1920x1080 (60 Hz), 1080p, 1080i, 720p@50Hz/60Hz, 576p@50Hz, 480p@60Hz, 3840x2160 (24Hz/30Hz/60Hz (DisplayPort1.2))* <sup>1, *3</sup>
VGA (RGB)* <sup>4</sup>	15pin Mini D-sub	Analog RGB	0.7 Vp-p/75 ohm VGA60, SVGA60, XGA60, WXGA60, SXGA60, UXGA60* <sup>1</sup> , WUXGA60* <sup>1</sup> , 1920X1080 (60Hz)
		Sync	Separate: TTL level (Pos./Neg.) Composite sync on Green Video: 0.3 Vp-p Neg.
HDMI	HDMI Connector	Digital YUV Digital RGB	HDMI VGA60, SVGA60, XGA60, WXGA60, SXGA60, UXGA60* <sup>1</sup> , WUXGA60* <sup>1</sup> , 1920x1080 (60 Hz), 1080p, 1080i, 720p@50Hz/60Hz, 576p@50Hz, 480p@60Hz, 576i@50Hz, 480i@60Hz, 3840x2160 (30Hz/24Hz/25Hz/60Hz (MODE2))* <sup>1, *3</sup> , 4096x2160 (24Hz)* <sup>1, *3</sup>
VGA (YPbPr)* <sup>4</sup>	15pin Mini D-sub	Component	Y: 1.0 Vp-p/75ohm, Cb/Cr (Pb/Pr): 0.7 Vp-p/75 ohm HDTV/DVD: 1080p, 1080i, 720p@50Hz/60Hz, 576p@50Hz, 480p@60Hz, 576i@50Hz, 480i@60Hz
VIDEO* <sup>4</sup>	RCA port	Composite	1.0 Vp-p/75 ohm NTSC/PAL/SECAM/4.43NTSC/PAL60
Output Signal			
DisplayPort	DisplayPort Connector	Digital RGB	DisplayPort complies with Standard V1.2, applicable to HDCP
AUDIO			
AUDIO Input	Stereo Mini Jack	Analog Audio	Stereo L/R 0.5 Vrms
	HDMI Connector	Digital Audio	PCM 32, 44.1, 48 KHz (16/20/24bit)
	DisplayPort Connector	Digital Audio	PCM 32, 44.1, 48 KHz (16/20/24bit)
AUDIO Output	Stereo Mini Jack	Analog Audio	Stereo L/R 0.5 Vrms
Speaker Output		External Speaker Jack 15 W + 15 W (8 ohm) Internal Speaker 10 W + 10 W (Stereo)	
Control		RS-232C In: 9 Pin D-sub LAN: RJ-45 10 BASE-T/100 BASE-TX x 2 Remote IN: Stereo Mini Jack 3.5 mm Ø	
SD card Hub		Port: microSD card. Up to 32GB microSDHC is supported.	
USB Hub		USB1: USB 2.0 Downstream port USB2: USB 2.0 Upstream port USB CM1 (2A): Power supply port, 5V/2A USB CM2: USB service port for maintenance USB MP: Media Player/Firmware update port	
Power Supply		3.3 - 1.4 A @ 100-240V AC, 50/60Hz	
Power Consumption		Normal operation:	Approx. 110 W
Operational Environment		Temperature* <sup>2</sup> : 0 - 40°C / 32 - 104°F, 0 - 35°C / 32 - 95°F (Slot 2 type PC with Face up position or with Face down position) Humidity: 20 - 80% (without condensation) Altitude: 0 - 3000 m (Brightness may decrease with altitude)	
Storage Environment		Temperature: -20 - 60°C / -4 - 140°F Humidity: 10 - 90% (without condensation) / 90% - 3.5% x (Temp - 40°C) regarding over 40°C	
Dimension		1244 (W) x 714.8 (H) x 62.9 (D) mm/49 (W) x 28.1 (H) x 2.5 (D) inches (w/o Deco Dimension)	
Weight		24.6 kg (54.2 lbs)	
VESA compatible mounting interface		300 mm x 300 mm (M6, 4 Holes)	
Power Management		VESA DPM	
Plug & Play		VESA DDC2Bi, DDC/CI, DisplayPort	
Power supply for Slot 2 type OPTION		16V/3.6 A	

**NOTE:** Technical specifications are subject to change without notice.

\*1: Compressed image.

\*2: When you use option board accessories, please contact your supplier for detailed information.

\*3: Reproduced text may look blurred.

\*4: Common terminal.

# Manufacturer's Recycling and Energy Information

NEC DISPLAY SOLUTIONS is strongly committed to environmental protection and sees recycling as one of the company's top priorities in trying to minimize the burden placed on the environment. We are engaged in developing environmentally-friendly products, and always strive to help define and comply with the latest independent standards from agencies such as ISO (International Organisation for Standardization) and TCO (Swedish Trades Union).

## Disposing of your old NEC product

The aim of recycling is to gain an environmental benefit by means of re-use, upgrading, reconditioning or reclamation of material. Dedicated recycling sites ensure that environmentally harmful components are properly handled and securely disposed. To ensure the best recycling of our products, **NEC DISPLAY SOLUTIONS offers a variety of recycling procedures** and gives advice on how to handle the product in an environmentally sensitive way, once it has reached the end of its life.

All required information concerning the disposal of the product and country-specific information on recycling facilities can be found on our following websites:

<https://www.nec-display-solutions.com/p/greenvision/en/greenvision.xhtml> (in Europe),

<http://www.nec-display.com> (in Japan) or

<http://www.necdisplay.com> (in USA).

## Energy Saving

This monitor features an advanced energy saving capability. When a Display Power Management signal is sent to the monitor, the Energy Saving mode is activated. The monitor enters a single Energy Saving mode.

For additional information visit:

<http://www.necdisplay.com/> (in USA)

<http://www.nec-display-solutions.com/> (in Europe)

<http://www.nec-display.com/global/index.html> (Global)

For ErP requirement/For ErP (Network standby) requirement:

Setting: CONTROL → USB → USB POWER → AUTO

Condition: Without any option board.

INPUT DETECT is set to a setting except for NONE.

USB POWER is set to ON.

DisplayPort is set to MST.

Power consumption: 3 W or less (Glowing amber).

Time for power management function: 10 sec. (Default setting)

(Except for a condition that the monitor has plural signal inputs.)

Power consumption: 0.5 W or less (Blinking amber).

Time for power management function: 3 min. (Default setting)

(Except for a condition that the monitor has plural signal inputs.)

## WEEE Mark (European Directive 2012/19/EU and amendments)



### Disposing of your used product: In the European Union

EU-wide legislation as implemented in each Member State requires that used electrical and electronic products carrying the mark (left) must be disposed of separately from normal household waste. This includes monitors and electrical accessories, such as signal cables or power cords. When you dispose of such products, please follow the guidance of your local authority or ask the shop where you purchased the product, or if applicable, follow applicable legislation or agreement you may have. The mark on electrical and electronic products may only apply to the current European Union Member States.

### Outside the European Union

If you wish to dispose of used electrical and electronic products outside the European Union, please contact your local authority and ask for the correct method of disposal.



**For EU:** The crossed-out wheeled bin implies that used batteries should not be put to the general household waste! There is a separate collection system for used batteries, to allow proper treatment and recycling in accordance with legislation.

**According to the EU directive 2006/66/EC, the battery can't be disposed of improperly. The battery shall be separated to collect by local service.**

---

---

## [Notice] About the MPEG LA license included in this product

---

---

### 1. MPEG AVC

THIS PRODUCT IS LICENSED UNDER THE AVC PATENT PORTFOLIO LICENSE. SUCH LICENSE EXTENDS TO THIS PRODUCT ONLY AND ONLY TO THE EXTENT OF OTHER NOTICES WHICH MAY BE INCLUDED HEREIN. THE LICENSE DOES NOT EXTEND TO ANY OTHER PRODUCT REGARDLESS OF WHETHER SUCH PRODUCT IS INCLUDED WITH THIS LICENSED PRODUCT IN A SINGLE ARTICLE. ADDITIONAL INFORMATION MAY BE OBTAINED FROM MPEG LA, L.L.C. SEE [HTTP://WWW.MPEGLA.COM](http://www.mpegla.com)

### 2. MPEG-4 Visual

THIS PRODUCT IS LICENSED UNDER THE MPEG-4 VISUAL PATENT PORTFOLIO LICENSE FOR THE PERSONAL AND NON-COMMERCIAL USE OF A CONSUMER FOR (i) ENCODING VIDEO IN COMPLIANCE WITH THE MPEG-4 VISUAL STANDARD ("MPEG-4 VIDEO") AND/OR (ii) DECODING MPEG-4 VIDEO THAT WAS ENCODED BY A CONSUMER ENGAGED IN A PERSONAL AND NONCOMMERCIAL ACTIVITY AND/OR WAS OBTAINED FROM A VIDEO PROVIDER LICENSED BY MPEG LA TO PROVIDE MPEG-4 VIDEO. NO LICENSE IS GRANTED OR SHALL BE IMPLIED FOR ANY OTHER USE. ADDITIONAL INFORMATION INCLUDING THAT RELATING TO PROMOTIONAL, INTERNAL AND COMMERCIAL USES AND LICENSING MAY BE OBTAINED FROM MPEG LA, LLC. SEE [HTTP://WWW.MPEGLA.COM](http://www.mpegla.com).