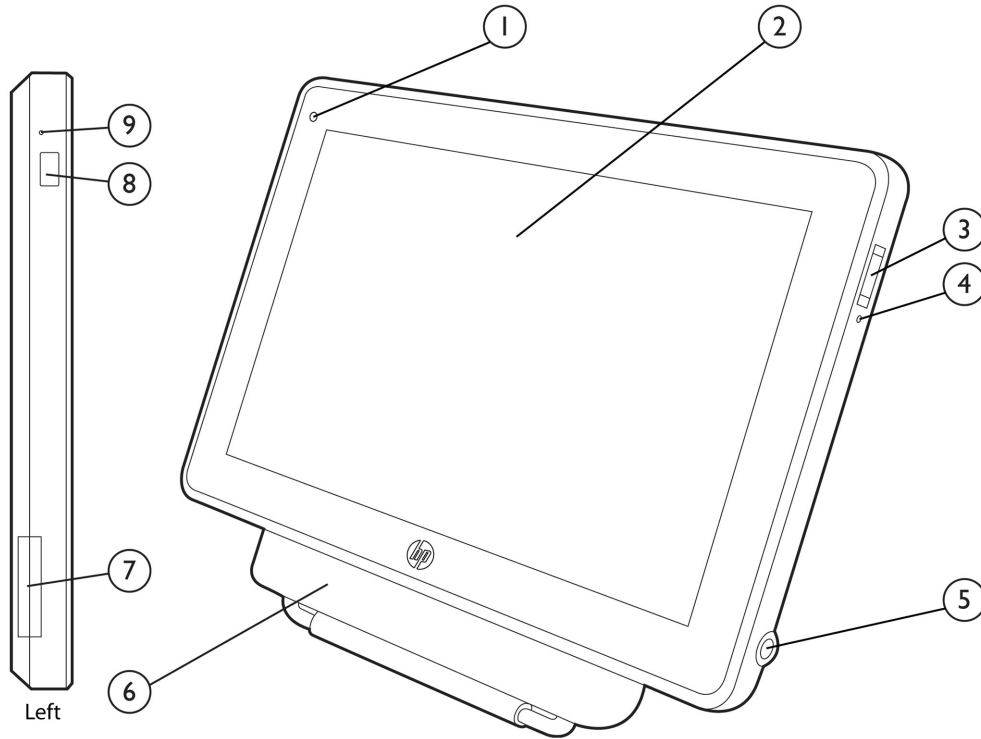
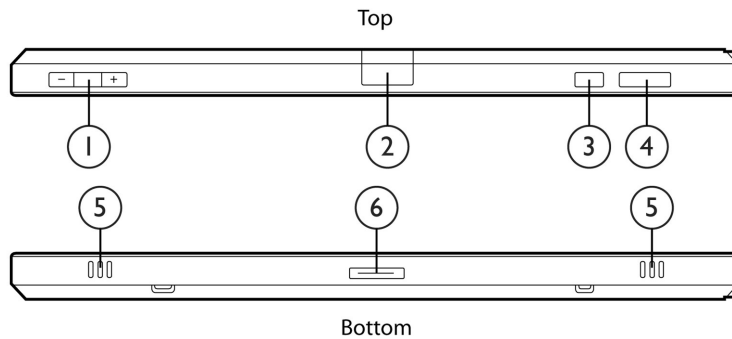


Overview



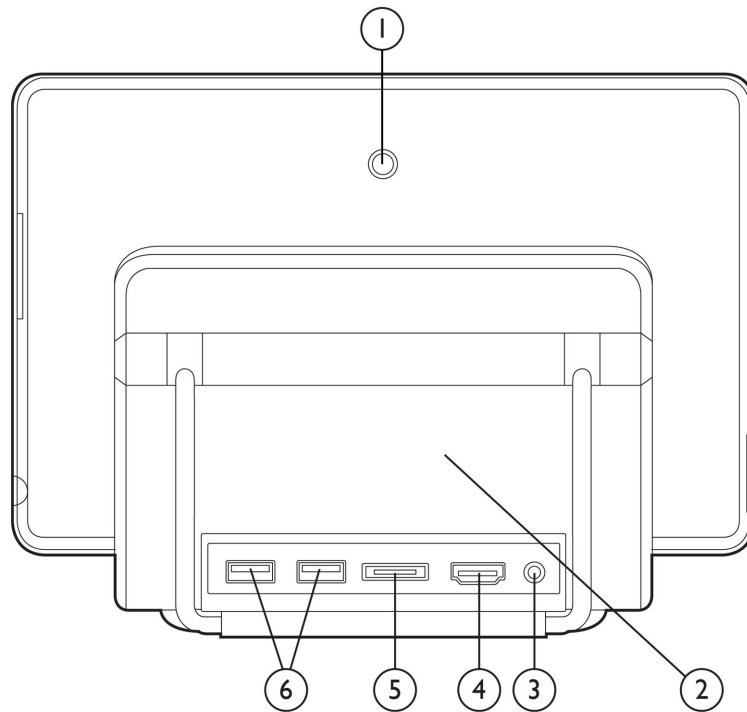
1. VGA webcam
2. Capacitive multi-touch screen with pen digitizer
3. Power button (also controls display auto rotate)
4. Power LED indicator
5. Combo stereo headphone/mic jack
6. Optional HP Slate Dock
7. Secure Digital slot (SD)/SDHC/SDXC
8. Onscreen keyboard button
9. Integrated microphone



1. Volume control
2. USB 2.0 port
3. Ctrl-Alt-Del button
4. Windows Desktop button
5. Stereo speakers
6. Power connector/HP Slate Dock connector

Overview

Rear View with Optional HP Slate Dock



- | | |
|------------------------------------|----------------------|
| 1. 3MP camera (outward facing) | 4. HDMI port |
| 2. Optional HP Slate Dock | 5. Power connector |
| 3. Combo stereo headphone/mic jack | 6. (2) USB 2.0 ports |

At A Glance

- Genuine Windows 7 Professional
- Slate tablet design starting at 1.50 lb/0.68 kg
- 8.9-inch diagonal LED-backlit WSVGA wide-viewing angle display (1024 x 600 or 1024 x 768 for some applications)
- Capacitive multi-touch screen with pen digitizer
- Flexible wireless connectivity options:
 - Integrated HP un2420 EV-DO/HSPA Mobile Broadband for worldwide mobile Internet
 - Integrated GPS
 - Integrated 802.11 b/g/n wireless LAN
 - Bluetooth® 3.0 + HS
- Intel® System Controller Hub (SCH) US15W chipset and Intel Atom™ processor
- 32 GB or 64 GB SSD
- Secure Digital (SD) slot
- Two integrated webcams (VGA inward facing; 3MP outward facing)
- HP Slate Dock, HP Slate Digital Pen, and HP Slate Folio are optional accessories that may be included on select configurations

Standard Features (availability may vary by country)

Processors	Intel Atom Z540 Processor (1.86 GHz, 512 KB L2 cache, 533 MHz FSB) NOTE: Intel's numbering is not a measurement of higher performance. Processor speed denotes maximum performance mode; processor will run at lower speeds in battery optimization mode.	
Operating System	Preinstalled	Genuine Windows 7 Professional 32* * System may require upgraded and/or separately purchased hardware and/or a DVD drive to install the Windows 7 software and take full advantage of Windows 7 functionality. See http://www.microsoft.com/windows/windows-7/ for details.
Chipset	Intel System Controller Hub (SCH) US15W	
Graphics	Intel® Graphics Media Accelerator 500 Broadcom® Crystal HD Enhanced Video Accelerator	
Display	Internal	8.9-inch diagonal WSVGA HP Touchscreen (1024 x 600 or 1024 x 768 for some applications) <ul style="list-style-type: none">● Wide-viewing angle● Capacitive multi-touch screen with digitizer● Auto rotate (selectable)● Anti-glare flushed glass display● Anti-fingerprint coating● Accelerometer (ST Micro)
	External	Up to 32-bit per pixel color depth HDMI port in optional HP Slate Dock supports resolutions up to 1600 x 1200 non-interlaced NOTE: Resolutions are dependent upon monitor capability, and resolution and color depth settings.
Memory	Standard	1 GB or 2 GB* DDR2 on board memory Not customer accessible or upgradeable * Memory operates at the maximum system supported speed of 533 MHz.
Wireless Support	Integrated wireless LAN + Bluetooth combo	Wi-Fi certified Integrated support for 802.11 b, g, and n Bluetooth 3.0 + HS WLAN antenna integrated in the display enclosure
Input Devices	HP Slate Digital Pen	



Standard Features (availability may vary by country)

Expansion Card Slots	Secure Digital slot	Supports SD, SDHC, and SDXC
Internal Storage	Solid State Drive	32 GB
	Flash Module (SATA)	64 GB
Interfaces	Combo stereo headphone/mic jack	One (also available in optional HP Slate Cradle)
	Integrated microphone	One
	Power Connector / HP Slate Cradle connector	One (power connector also available in optional HP Slate Cradle)
	USB 2.0	One (two additional with optional HP Slate Cradle)
Audio/Visual	High Definition audio	
	Integrated stereo speakers	
	Integrated microphone	
	Combo stereo headphone/mic jack	
	Two integrated cameras	
	<ul style="list-style-type: none">• VGA webcam (inward facing)• 3MP camera (outward facing)	
Power Supply	External 25-watt AC adapter (US); 30-watt AC adapter (international)	
Battery	2-cell, 30 WHr polymer Not customer replaceable Up to 5 hours* of use Long-life * Battery life will vary depending on the product model, configuration, loaded applications, features, use, wireless functionality, and power management settings. The maximum capacity of the battery will naturally decrease with time and usage. See MobileMark07 battery benchmark http://www.bapco.com/products/mobilemark2007 for additional details.	
Power Conservation	Standby, hibernation ACPI compliance	
Docking (optional)	HP Slate Dock This is included with every HP Slate and has connectors for (2) USB 2.0 ports, (1) HDMI connector, (1) combo stereo headphone out/microphone in, and (1) power connector	



Standard Features (availability may vary by country)

Service and Support

HP Services includes a one-year standard parts and labor warranty, pick-up or carry-in, and toll-free 7 x 24 hardware technical phone support (depending on model). On-site service and warranty upgrades are also available (depending on model).

NOTE: Certain restrictions and exclusions apply. Consult the HP Customer Support Center for details.
<http://h20000.www2.hp.com/bizsupport/TechSupport/ProductRoot.jsp>.



Options (availability may vary by country)

Power	HP Slate 30W Power Adapter	QC252AA
-------	----------------------------	---------

Miscellaneous	HP USB Ethernet Adapter	XZ613AA#ABA
---------------	-------------------------	-------------



Technical Specifications

System Unit	Dimensions (HxWxD)	0.61 x 5.90 x 9.21 in 15 x 150 x 234 mm
	Weight	Starting at 1.5 lb (0.68 kg)
Stand-Alone Power Requirements	Normal Operating Voltage	19.5 V
	Average Operating Power	TBD W
	Max Operating Power	< 25 W
Temperature	Operating	50° to 95° F (10° to 35° C)
	Non-operating	-4° to 140° F (-20° to 60° C)
Relative Humidity	Operating	10% to 90%, non-condensing
	Non-operating	5% to 95%, 101.6° F (38.7° C) maximum wet bulb temperature
Altitude (unpressurized)	Operating	-50 to 10,000 ft (-15 to 3,048 m)
	Non-operating	-50 to 40,000 ft (-15 to 12,192 m)

Copyright © 2011 Hewlett-Packard Development Company, L.P.

All rights reserved. Microsoft, Windows, and Windows 7 are registered trademarks or trademarks of Microsoft Corporation in the U.S. and/or other countries. Intel and Atom are registered trademarks or trademarks of Intel Corporation in the U.S. and/or other countries. All other product names mentioned herein may be trademarks of their respective companies.

The information contained herein is subject to change without notice and is provided "as is" without warranty of any kind. The warranties for HP products are set forth in the express limited warranty statements accompanying such products. Nothing herein should be construed as constituting an additional warranty. HP shall not be liable for technical or editorial errors or omissions contained herein.

