

UTK-615

15.6" Mini Self-Service Kiosk with ARM Cortex™ Processor and PCAP Touchscreen



Features

- Compact and lightweight for convenient installation in space-limited environments
- Colorful eye-catching LED indicators ensure intuitive operation
- Modularized design allows for easy upgrades and function expansion
- Can be flexibly configured for various field applications and scenarios
- Multiple mounting options for easy installation
- Remote device control and management

Introduction

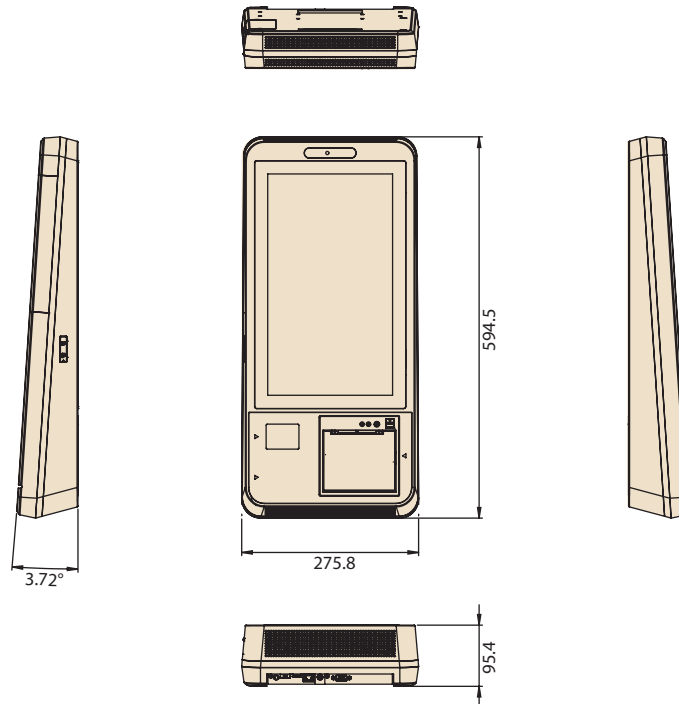
Advantech UTK-615 is an indoor mini self-service kiosk equipped with a 15.6" touchscreen, QR code scanner, NFC reader, and receipt printer, and can be flexibly configured for a wide range of self-service applications. Built for easy installation in environments with limited space, UTK-615 is compatible with various mount options and features a built-in battery module that eliminates complex wiring and enables mobile operations. Moreover, the UTK-615 kiosk supports most popular payment methods, making it the ideal mobile computing solution for rapid deployment at exhibitions, concerts, and tradeshows.

Specifications

		UTK-615AP
System	Processor	Rockchip ARM Cortex™-A17 RK3288 quad-core processor, up to 1.6 GHz
	Memory	2GB of DDR3L 1333MHz
	Storage	8GB of on board eMMC
	Network (LAN)	1 x 10/100/1000 Mbps
	Network (WLAN)	IEEE 802.11ac/a/b/g/n compliant
	Bluetooth	Bluetooth 4.2
	Stereo Speaker	2 x 2W
	I/O	1 x Micro SD 1 x SIM 1 x USB 2.0 1 x RS-232 COM
Operating System	Android 8.1	
Mechanical	Dimensions (W x H x D)	275.8 x 594.5 x 95 mm/10.85 x 23.4 x 3.74 in
	Weight	5 kg/11.02 lb
LCD Panel	Size/Type	15.6" TFT LCD with LED backlight
	Brightness	220 cd/m ²
	Resolution	1920 x 1080 max.
	Color	16.7M
	Contrast	1000:1
Touchscreen	Viewing Angle	178°/178°
	Type	Projected capacitive touch
	Light Transmission	80% ± 2%
Environmental	Controller	USB interface
	Operating Temperature	0 ~ 40 °C/32 ~ 104 °F
	Relative Humidity	10 ~ 95% @ 40 °C/104 °F non-condensing
	Certification	CE, FCC, CCC
Power Supply	Power Input	12V _{DC} , 5A
Peripherals	NFC	RFID/NFC module (optional)
	Smart Card Reader	Smart card reader with USB connection (optional)
	Camera	720p web camera module Structured-light 3D scanner (optional)
	Scanner	2D QR code scanner
	Printer	58 mm thermal printer (optional) 80 mm thermal printer (default)
	LTE + GPS	LTE + GPS communication module (optional)
	Battery Pack	8400 mAh battery pack (optional)

Dimensions

Unit: mm



Ordering Information

Part Number	Description
UTK-615AP-VFB80	15.6" display with PCAP touchscreen, ARM RK3288 processor, 2GB RAM, 8GB flash, camera, scanner, Wi-fi/Bluetooth, NFC reader, 80 mm thermal printer, Android 8.1, black
UTK-615AP-VFW80	15.6" display with PCAP touchscreen, ARM RK3288 processor, 2GB RAM, 8GB flash, camera, scanner, Wi-fi/Bluetooth, NFC reader, 80 mm thermal printer, Android 8.1, white

Accessories

Part Number	Description
96PD-00945	Table mount stand for UTK-615
UTC-WALL-MOUNT3E	Wall mount kit with 75/100 mm VESA standard
96CB-POEWR-B-1.8M1	Power cable, CCC, 3P, 180 cm (China)
17AP164900518011	Power cable, CEE, 7/16+C13, 10A/16A, 250V, 180 cm (CE)
1700013977	Power cable, CCC, 3P, 10A, 250V, 200 cm (CCC)
1702002600	Power cable, UL/CSA, 3P, 10A, 125V, 180 cm (USA)
1702002605	Power cable, CE, 2P, 10A, 250V, 183 cm (EU)
1700001714	Power cable, BSMI, 3P, 7A, 125V, 18AWG, 180 cm (BSMI)
1700000237	Power cable, PSE, 3P, 12A, 125V, 180 cm (Japan)
1700018704	Power cable, BSI, 3P, 10A, 250V, 180 cm (UK)