



HOOVER

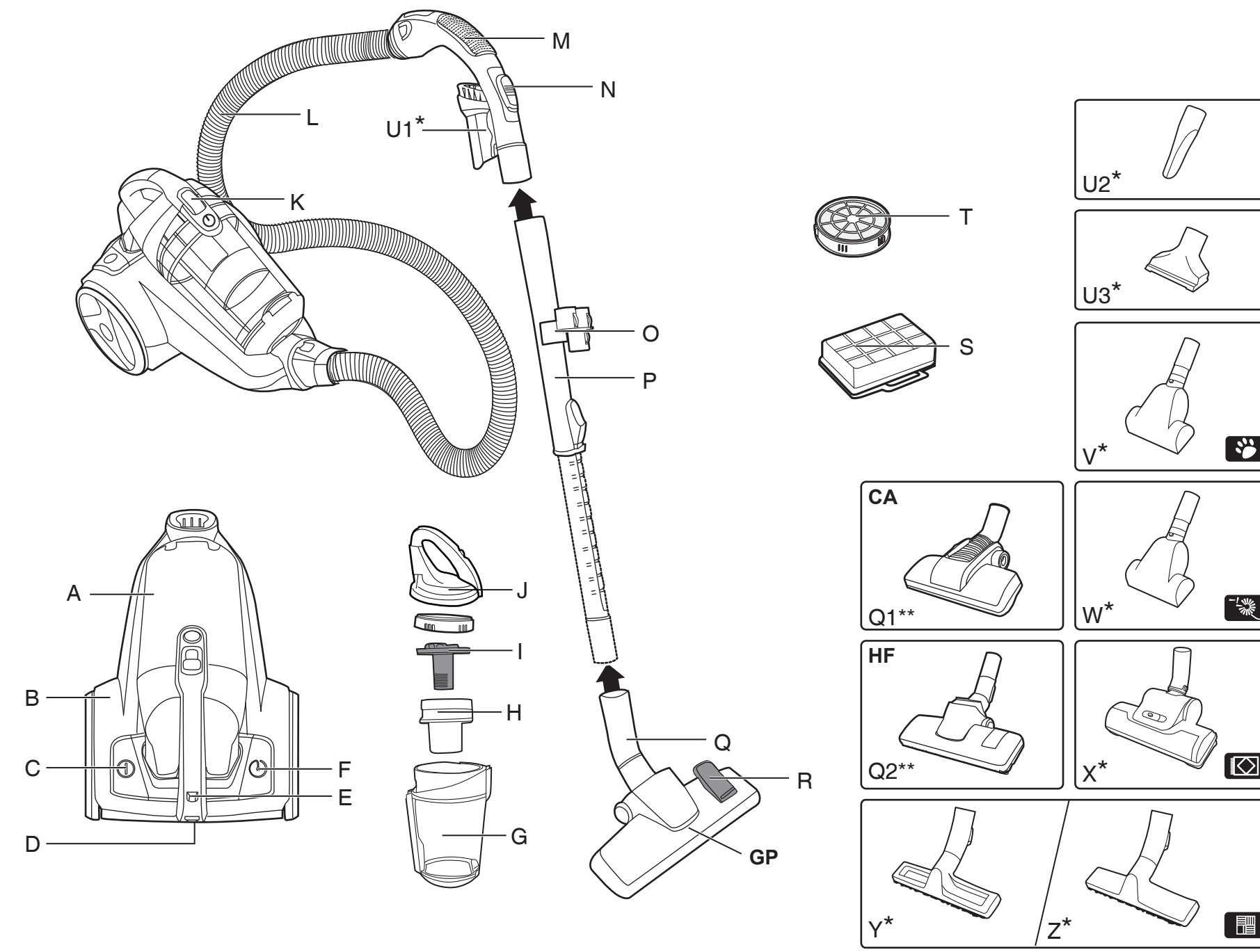


USER MANUAL

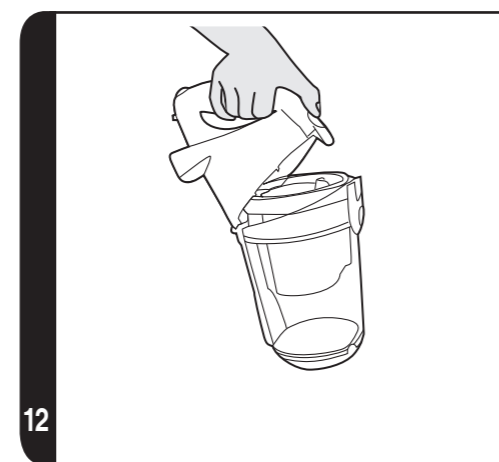
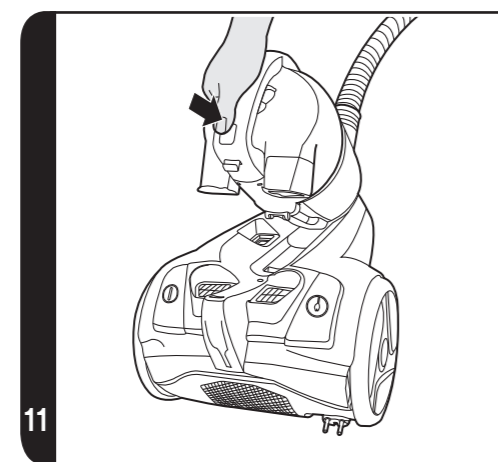
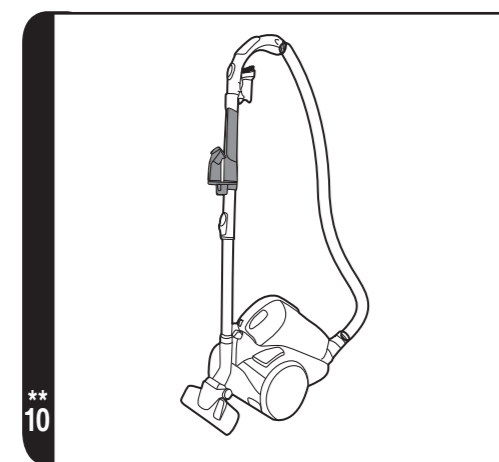
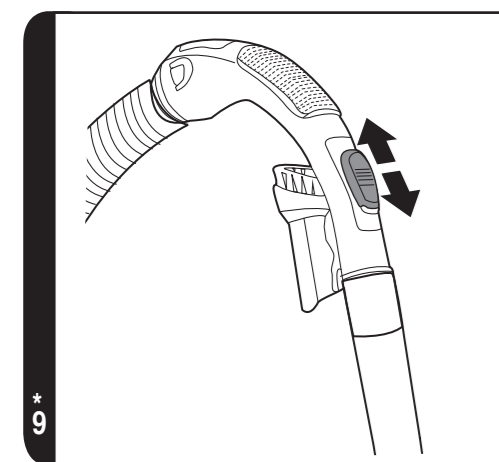
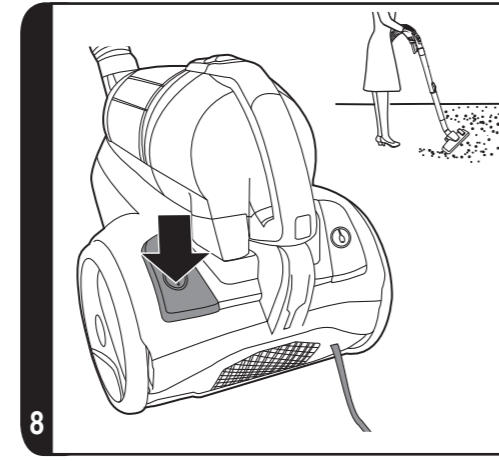
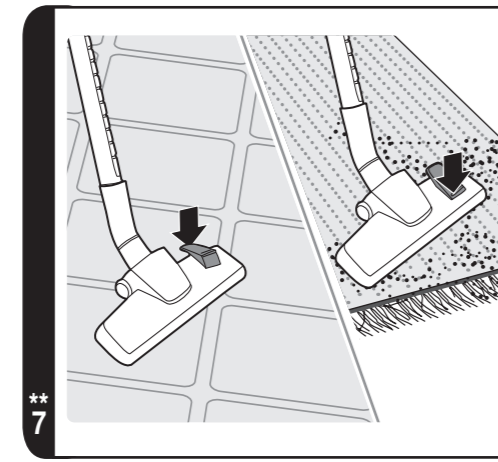
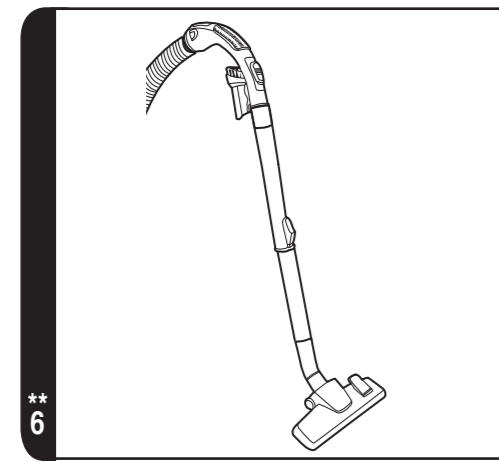
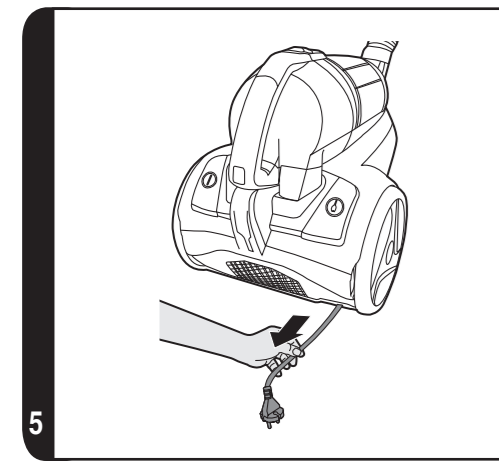
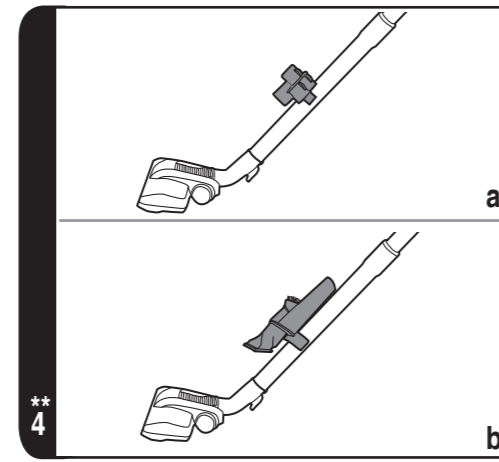
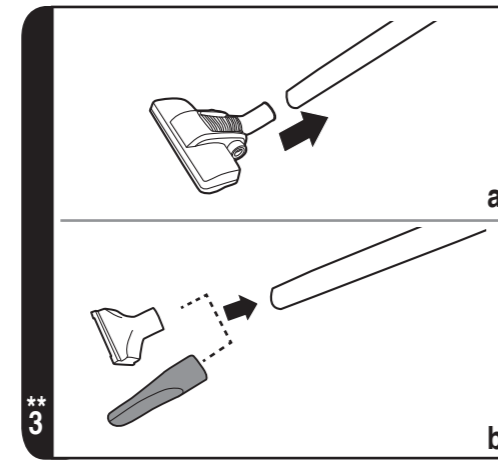
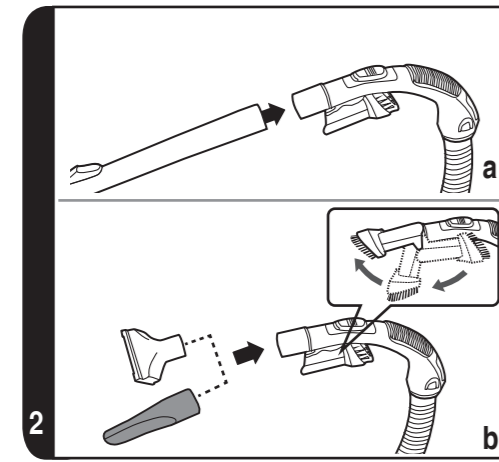
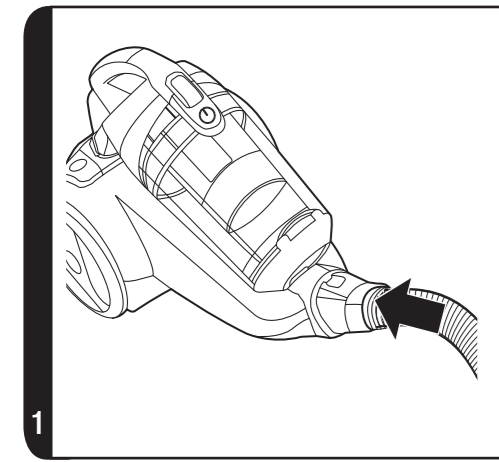


PRINTED IN P.R.C.
48016396/01

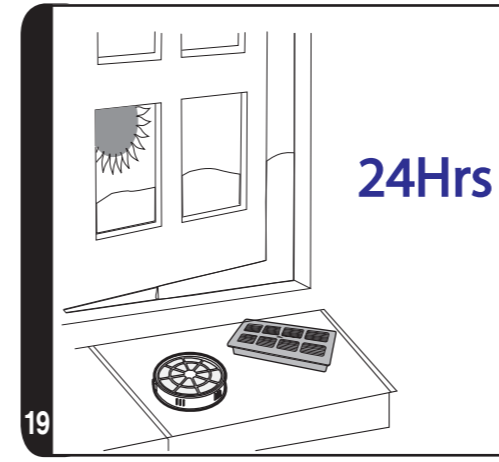
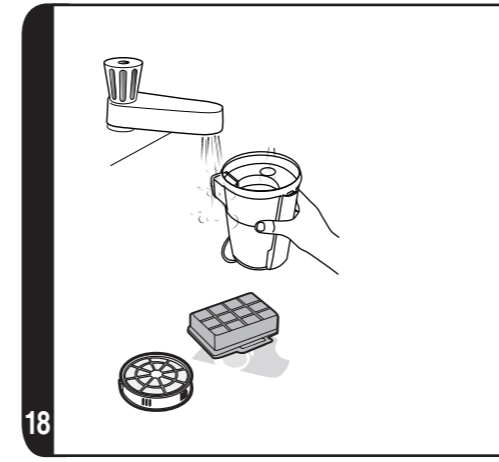
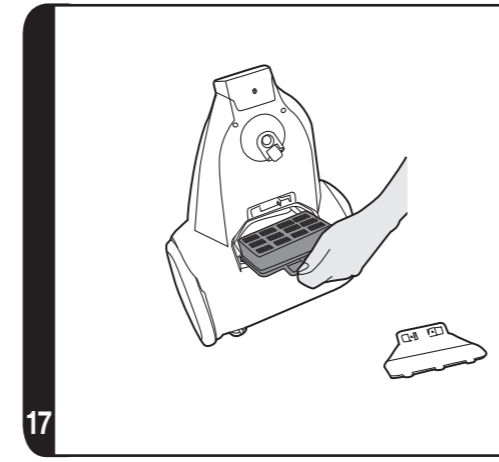
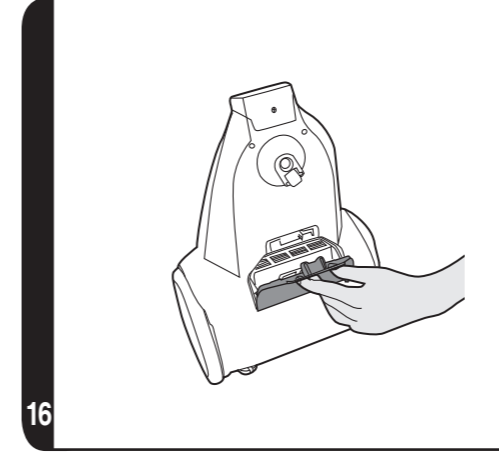
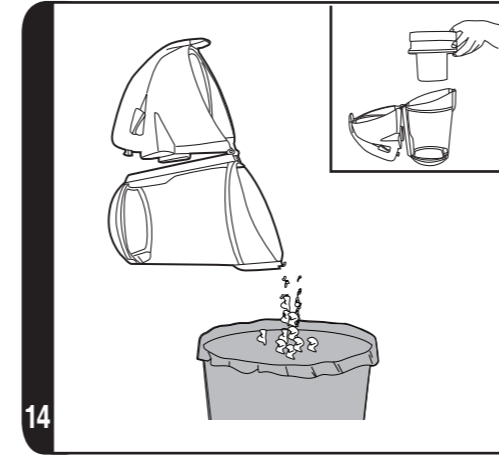
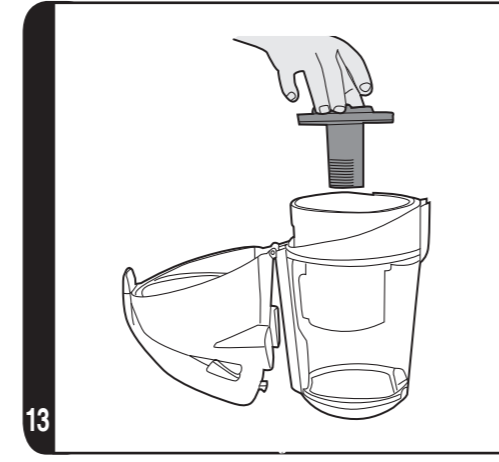
GENERATION FUTURE



* Certain models only ** Certain models only, nozzles may vary according to model



* Certain models only ** Certain models only, nozzles may vary according to model



* Certain models only ** Certain models only, nozzles may vary according to model





INSTRUCTIONS FOR SAFE USE

This appliance should only be used for domestic cleaning, as described in this user guide. Please ensure that this guide is fully understood before operating the appliance.

Do not leave the appliance plugged in. Always switch off and remove the plug from the socket after use, or before cleaning the appliance or any maintenance task.

This appliance can be used by children aged from 8 years and above and persons with reduced physical, sensory or mental capabilities or lack of experience and knowledge if they have been given supervision or instruction concerning use of the appliance in a safe way and understand the hazards involved. Children shall not play with the appliance. Cleaning and user maintenance shall not be made by children without supervision.

If the power cord is damaged stop using the appliance immediately. To avoid a safety hazard, an authorised HOOVER service engineer must replace the power cord.

Keep hands, feet, loose clothing and hair away from rotating brushes.

Use only attachments, consumables or spares recommended or supplied by HOOVER.

Static electricity: Some carpets can cause a small build up of static electricity. Any static discharge is not hazardous to health.

Do not use your appliance out of doors or on any wet surface or for wet pick up.

Do not pick up hard or sharp objects, matches, hot ashes, cigarette ends or other similar items.

Do not spray with or pick up flammable liquids, cleaning fluids, aerosols or their vapours.

Do not run over the power cord when using your appliance or remove the plug by pulling on the power cord.

Do not continue to use your appliance if it appears faulty.


HOOVER service: To ensure the continued safe and efficient operation of this appliance we recommend that any servicing or repairs are only carried out by an authorised HOOVER service engineer.

Do not stand on or wrap the cord around arms or legs when using your appliance.

Do not use the appliance to clean animals or people.

Do not position the appliance above you when cleaning the stairs.

The Environment

The symbol on this appliance indicates that this appliance may not be treated as household waste. Instead it must be handed over to the applicable collection point for the recycling of electrical and electronic equipment. Disposal must be carried out in accordance with local environmental regulations for waste disposal.  For more detailed information about treatment, recovery and recycling of this appliance, please contact your local city office, your household and waste disposal service or the shop where you purchased the appliance.

 This appliance complies with the European Directives 2006/95/EC, 2004/108/EC and 2011/65/EU.

HOOVER Limited, Pentrebach, Merthyr Tydfil, Mid Glamorgan, CF48 4TU, UK

GETTING TO KNOW YOUR CLEANER

A. Dust Bin Assembly	P. Telescopic Tube
B. Cleaner Main Body	Q. Carpet and Floor nozzle(GP)**
C. On/Off Pedal	Q1. Carpet Nozzle (CA)**
D. Park Slot	Q2. Hard Floor Nozzle (HF)**
E. Dust Bin Release Button	R. Floor Type Selector Pedal
F. Cord Reel Pedal	S. Exhaust Filter
G. Dust Bin	T. Pre-motor Filter
H. Cyclone Body	U1. Dusting Brush*
I. Vortex Finder (Red)	U2. Crevice Tool*
J. Dust bin Lid	U3. Furniture nozzle*
K. Dust Bin Lid Release Button	V. Pet Hair Remover Mini Turbo Nozzle*
L. Hose	W. Allergen Remover Mini Turbo Nozzle*
M. Hose Handle	X. Grand Turbo Nozzle*
N. Suction Regulator*	Y. Parquet Nozzle*
O. Accessory holder*	Z. Parquet Extra Nozzle*

ASSEMBLING YOUR CLEANER

Remove all components from the packaging.

1. Connect the hose to the cleaner main body, ensuring it clips and locks into position. To release: simply press the button on the hose end and pull. [1]
2. Connect the hose handle to the end of the extension tube upper [2a], or accessories if required. [2b]
3. Connect the extension tube lower to the carpet or floor nozzle [3a] or accessories if required. [3b]
4. The cleaning accessory tools can be stored after use on the underside of the extension tube, using the accessory holder provided. [4]

USING YOUR CLEANER

1. Extract power cord and plug it into the power supply. Do not pull the cord beyond the red marker. [5]
2. Adjust the telescopic tube to the desired height by moving the telescopic release button up and raise or lower the handle to the most comfortable cleaning position. [6]
3. Carpet & Floor Nozzle. Press the floor type selector Pedal on the nozzle [7] to select the ideal cleaning mode for the floor type.
Hard Floor – Brushes are lowered to protect the floor.
Carpet – Brushes are raised for the deepest clean.
4. Switch the cleaner on by pressing the on/off Pedal on the cleaner main body. [8]
5. Adjust the suction regulator on the handle to the desired level. [9]
6. Switch off at the end of use by pressing the on/off Pedal. Unplug and press the cord reel pedal [F] to wind the power cord back into the cleaner.

*Certain Models Only ** Certain models only, nozzles may vary according to model

Parking and Storage Section

The tube can be parked on back of the cleaner for storage or temporary storage while in use. [10]

ACCESSORIES

To obtain the best performance and energy efficiency#1 it is recommended that the correct nozzles are used for the main cleaning operations. These nozzles are indicated in the diagrams by the letters **GP**, **HF** or **CA**.

A nozzle type **GP** can be used to clean both carpet and hard floor.

A nozzle type **HF** is suitable for use only on hard floor.

A nozzle of type **CA** is suitable for use only on carpet.

The other nozzles are accessories for specialist cleaning tasks and are recommended for occasional use only.

It is important to note that this vacuum cleaner is supplied with an Energy Label as required by European Regulation (EU) 665/2013.

If the label shows a red prohibition circle on the left covering the carpet symbol, then this indicates that the vacuum cleaner is not suitable use for on carpets.

If the label shows a red prohibition circle on the right covering the hard floor symbol, then this indicates that the vacuum cleaner is not suitable for use on hard floors.

#1 NOTE: Dust pick up ability carpet, dust pick up ability hard floor, and energy efficiency is in accordance with Commission Regulations (EU) 665/2013 and (EU) 666/2013.

All accessories can be fitted to the end of the hose handle or to the end of the fixed tube (except for dusting brush).

The Crevice Nozzle and Furniture nozzle are stored on the tube, while the Dusting brush is stored underneath the hose handle.

- **Crevice Nozzle *** – For corners and hard to reach areas.
 - **Dusting Brush *** – For bookshelves, frames, keyboards and other delicate areas.
 - **Furniture Nozzle *** – For soft furnishings and fabrics.
 - **C&F Nozzle:** For carpet and hard floors.
 - **Parquet Nozzle*** – For parquet floors and other delicate floors.
 - **Grand Turbo Nozzle*** – Use the turbo nozzle for deep cleaning on carpets.
 - **Pet Hair Remover Mini Turbo Nozzle*** – Use the mini turbo nozzle on stairs or for deep cleaning on textile surfaces and other hard to clean areas.
 - **Allergen Remover Mini Turbo Nozzle*** – Use the mini turbo nozzle on stairs or for deep cleaning on textile surfaces and other hard to clean areas.
- IMPORTANT:** Do not use mini turbo nozzles on rugs with long fringes, animal hides and carpet pile deeper than 15mm. Do not keep the nozzle stationary while the brush is rotating.

CLEANER MAINTENANCE

Emptying the Dust Bin

When the dust reaches the Max level indicator in the bin, empty the dust bin.

IMPORTANT: To maintain optimum performance do not allow the dust above the Max level indicator.

1. Turn off the cleaner with the main switch and unplug the power cable.
2. Press the dust bin lid release button and remove the dust bin assembly from the cleaner. **[11]**
3. Hold the dust bin with one hand and with the other hand press the dust bin lid release button to open dust bin lid. **[12]**
4. Remove the vortex finder(red) from the cyclone body.**[13]**
5. Remove the cyclone body from the dust bin and empty the dust. **[14]**
6. Reassemble the internal component to the dust bin.
7. Close the dust bin lid to the dust bin and refit to the cleaner main body.

Cleaning the washable filters

The cleaner is fitted with a blue filter pack. To maintain optimum cleaning performance regularly remove the filters and tap against the side of the bin to release dust. The filters should be washed every 5 bin empties or when the filter has excessive dust level.

IMPORTANT: All bagless cleaners require regular filter cleaning. Failure to clean your filters may result in air blockage, overheating and product failure. This may invalidate your guarantee.

IMPORTANT: Regularly check and maintain the filters.

IMPORTANT: Always ensure the filter pack is fully dry before use.

To access the filter:

1. Press the dust bin lid release button and remove the dust bin assembly from the cleaner. **[11]**
2. Hold the dust bin with one hand and with the other hand press the dust bin lid release button to open the bin lid. **[12]**
3. Remove the pre-motor filter located in the bin lid. **[15]**
4. Gently tap and wash the pre-motor filter. Do not use hot water or detergents. Remove excess water from the filter and leave to dry fully before re-using. **[18,19]**
5. Reassemble the pre-motor filter to the dust bin lid once fully dry and refit to the cleaner.

IMPORTANT: Do not use the product without the filter pack fitted.

To access the exhaust filter:

1. Unlock the exhaust filter door by pressing two buttons and pulling outward from main cleaner.**[16]**
2. Remove the filter pack from recess by pulling the ring-pull of exhaust filter. **[17]**
3. Gently tap and wash the filter unit. Do not use hot water or detergents. Remove excess water from the filter and leave to dry fully before using. **[18,19]**
4. Reassemble the Filter pack once it is fully dry and refit to the cleaner by inserting it back into the location and pushing it fully home.
5. Lock the exhaust filter cover by pressing the edge which has the clips, you will hear

*Certain Models Only ** Certain models only, nozzles may vary according to model

a click once the exhaust filter door fits into place.

IMPORTANT: Do not use the product without the filter pack fitted.

Cleaning the dust bin / separation unit

This cleaner uses a separation system unique to Hoover. If necessary the separation unit can be disassembled from the dust bin and cleaned.

1. Press the dust bin lid release button and remove the dust bin assembly from the cleaner. **[11]**
2. Hold the dust bin with one hand and with the other hand press the dust bin lid release button to open the dust bin lid. **[12]**
3. Remove the Vortex Finder (Red) from the cyclone body. **[13]**
4. Remove the cyclone body from the dust bin. **[14]**
5. If necessary, use a cloth to remove excessive dust from the red vortex finder and the cyclone body surface. **[13]**
6. Place the dust bin under the tap. **[18]** Rinse with lukewarm water. Wash internal surfaces of the dust bin with water only. DO NOT use soap detergents to wash the internals of the dust bin.
7. Reassemble the internal component to the dust bin, ensuring all components are dry.
8. Close over the dust bin lid and refit dust bin assembly to cleaner.

Removing a blockage

1. Check if the dust bin is full. If so refer to 'Emptying the dust bin.'
2. If the dust bin is empty but suction is still low:
 - A. Do the filters need cleaning? If so refer to 'Cleaning the washable filters'.
 - B. Check if there is any other blockage in the system - Use a rod or pole to remove any blockage from the extension tube or flexible hose.
 - C. Check if pre-motor filter is fitted.
 - D. Check if the separation unit needs to be cleaned. Refer to 'Cleaning the separation unit.'

USER CHECKLIST

Should you have a problem with the product, complete this simple user checklist before calling your local Hoover service.

- Is there a working electricity supply to the cleaner? Please check with another electrical appliance.
- Is the dust bin over-filled? Please refer to 'Cleaner Maintenance'.
- Is the filter blocked? Please refer to 'Cleaner Maintenance'.
- Is the hose or nozzle blocked? Please refer to 'Removing a blockage from the system'.
- Has the cleaner overheated? If so, it will take approximately 30 minutes to automatically reset.



IMPORTANT INFORMATION

Hoover spares and Consumables

Always replace parts with genuine Hoover spares. These are available from your local Hoover dealer or direct from Hoover. When ordering parts always quote your model number.

Pre Motor & Exhaust Filter Kit (2L)	U52	35601650
Pre Motor & Exhaust Filter Kit (4L)	U53	35601651
Complete Flexible Hose	D204E	35601652
Carpet & Floor Extra Nozzle	G227EE	35601653
Carpet Extra Nozzle	G228EE	35601654
Parquet Extra Nozzle	G89PC	35600659
Pet Hair Remover Nozzle	J51	35601163

Hoover Service

Should you require service at any time, please contact your local Hoover Service Office.

Tel: 03444 995 599

Email: customer.services@hoovercandy.com

Quality

BSI ISO 9001: Hoover's factories have been independently assessed for quality. Our products are made using a quality system which meets the requirements of ISO 9001.

Your Guarantee

The guarantee conditions for this appliance are as defined by our representative in the country in which it is sold. Details regarding these conditions can be obtained from the dealer from whom the appliance was purchased. The bill of sale or receipt must be produced when making any claim under the terms of this guarantee.

Subject to change without notice.