



PATRIOT™ D40
Scanner User's Guide
Windows® Users

VISIONEER PATRIOT D40 SCANNER USER GUIDE

COPYRIGHT INFORMATION

© 2016 Visioneer, Inc. All rights reserved. The Visioneer brand name and OneTouch® logo are registered trademarks of Visioneer, Inc.

Changes are periodically made to this document. Changes, technical inaccuracies, and typographic errors will be corrected in subsequent editions. Information is subject to change without notice and does not represent a commitment on the part of Visioneer.

Document Version: 05-0927-000 (January 2016)

This product is covered by one or more of the following patents: 6,064,778, 6,480,304, 7,715,061, 10/838,364, 7,397,587.WO 02/25571, 7,617,985, 11/140,653, 10/787,912

Reproduction, adaptation, or translation without prior written permission is prohibited, except as allowed under the copyright laws. Copyright protection claimed includes all forms of matters of copyrightable materials and information now allowed by statutory or judicial law or hereinafter granted, including without limitation, material generated from the software programs which are displayed on the screen such as styles, templates, icons, screen displays, looks, etc.

The software described is furnished under a licensing agreement. The software may be used or copied only in accordance with the terms of such an agreement. It is against the law to copy the software on any medium except as specifically allowed in the licensing agreement. No part of this document may be reproduced or transmitted in any form or by any means, electronic or mechanical, including photocopying, recording, or information storage and retrieval systems, or translated to another language, for any purpose other than the licensee's personal use and as specifically allowed in the licensing agreement, without the express written permission of Visioneer.

The PaperPort® and OmniPage® brand name and logo are registered trademarks of Nuance Communications, Inc.

ISIS® is a registered trademark of EMC²® Corporation in the United States and/or other countries.

Adobe®, Adobe® Acrobat®, Adobe® Reader®, and the Adobe® PDF logo are registered trademarks of Adobe Systems Incorporated in the United States and/or other countries.

Post-It® is a registered trademark of 3M in the United States and/or other countries.

Microsoft is a U.S. registered trademark of Microsoft Corporation. Windows™ is a trademark and SharePoint® is a registered trademark of Microsoft Corporation.

Mac®, Mac OS®, and OS X® are trademarks of Apple Inc., registered in the U.S. and other countries.

Kensington® is a registered trademark of ACCO Brands Corporation.

ZyINDEX is a registered trademark of ZyLAB International, Inc. ZyINDEX toolkit portions, Copyright © 1990-1998, ZyLAB International, Inc.

All other products mentioned herein may be trademarks of their respective companies and are hereby acknowledged.

VISIONEER'S LIMITED PRODUCT WARRANTY

Please go to www.visioneer.com, select your product, and then click the "Warranty Program" link to view the warranty terms and conditions for your scanner.

RESTRICTED RIGHTS LEGEND

Use, duplication, or disclosure is subject to restrictions as set forth in contract subdivision (c)(1)(ii) of the Rights in Technical Data and Computer Software Clause 52.227-FAR14. Material scanned by this product may be protected by governmental laws and other regulations, such as copyright laws. The customer is solely responsible for complying with all such laws and regulations.

ROHS AND WEEE COMPLIANCE

This product is compliant with RoHS Regulations of the European Parliament and Council Directive on the Restrictions of the Use of Certain Hazardous Substances in Electrical and Electronic Equipment (2002/95/EC), and with the Waste Electrical and Electronic Equipment (WEEE) Directive (2002/96/EC).

UNITED STATES (FCC REGULATIONS)

This equipment has been tested and found to comply with the limits for a Class B digital device, pursuant to Part 15 of the FCC Rules. These limits are designed to provide reasonable protection against harmful interference in a residential installation. This equipment generates, uses, and can radiate radio frequency energy and, if not installed and used in accordance with the instruction manual, may cause harmful interference to radio communications.

However, there is no guarantee that interference will not occur in a particular installation. If this equipment does cause harmful interference to radio or television reception, which can be determined by turning the equipment off and on, the user is encouraged to try to correct the interference by one or more of the following measures:

- Reorient or relocate the receiving antenna.
- Increase the separation between the equipment and receiver.
- Connect the equipment into an outlet on a circuit different from that to which the receiver is connected.
- Consult the dealer or an experienced radio/TV technician for help.

This device complies with Part 15 of the FCC Rules. Operation is subject to the following two conditions: (1) This device may not cause harmful interference, and (2) this device must accept any interference received, including interference that may cause undesired operation.

Changes and modifications to this equipment not specifically approved by Visioneer may void the user's authority to operate this equipment. Shielded cables must be used with this equipment to maintain compliance with FCC regulations.

ENERGY STAR FOR THE USA

Energy Program compliance

As an ENERGY STAR® partner, Visioneer Inc. has determined that this product meets the ENERGY STAR guidelines for Imaging Equipment. ENERGY STAR and the ENERGY STAR mark are registered trademarks owned by the U.S. Environmental Protection Agency. The ENERGY STAR Imaging Equipment Program is a team effort between the U.S., European Union and Japanese governments and the office equipment industry to promote energy-efficient copiers, printers, fax, multifunction machine, personal computers, and monitors. Reducing product energy consumption helps combat smog, acid rain and long-term changes to the climate by decreasing the emissions that result from generating electricity.



VISUAL DISPLAY

Warning: This device is not intended for use in the direct field of view at visual display workplaces. To avoid incommoding reflections at visual display workplaces, this device must not be placed in the direct field of view.

CLASS 1 LED

This machine is certified as Class 1 LED product. This means that this machine does not produce hazardous laser radiation.

PRODUCT RECYCLING & DISPOSAL

If you are managing the disposal of your Visioneer® product, please note that the product may contain lead, mercury, Perchlorate, and other materials whose disposal may be regulated due to environmental considerations. The presence of these materials is fully consistent with global regulations applicable at the time that the product was placed on the market. For recycling and disposal information, contact your local authorities. In the United States, you may also refer to the Electronic Industries Alliance web site: <http://www.eiae.org>.

Perchlorate Material - This product may contain one or more Perchlorate-containing devices, such as batteries. Special handling may apply, please see: <http://www.dtsc.ca.gov/hazardouswaste/perchlorate/>.

SAFETY

Notices and Safety

Please read the following instructions carefully before operating the machine and refer to them as needed to ensure the continued safe operation of your machine.

Your Visioneer® product and supplies have been designed and tested to meet strict safety requirements. These include safety agency evaluation and certification, and compliance with electromagnetic regulations and established environmental standards.

WARNING: The safety and environment testing and performance of this product have been verified using Visioneer® materials only. Unauthorized alterations, which may include the addition of new functions or connection of external devices, may impact the product certification. Please contact your Visioneer representative for more information.

Operational Safety Information

Your Visioneer® equipment and supplies have been designed and tested to meet strict safety requirements. These include safety agency examination, approval, and compliance with established environmental standards.

To ensure the continued safe operation of your Visioneer® equipment, follow these safety guidelines at all times:

Do these:

- Always follow all warnings and instructions that are marked on or supplied with the equipment.
- Always use materials specifically designated for this product, the use of other materials may result in poor performance and create a hazardous situation. Do not use aerosol cleaners, they may be explosive and flammable under certain conditions.
- Always exercise care when moving or relocating equipment.
- Always locate the machine on a solid support surface that has adequate strength to support the weight of the machine.
- Always locate the machine in an area that has adequate ventilation and room for servicing.

Do not do these:

- Never attempt any maintenance function that is not specifically described in this documentation.
- Never remove covers or guards that are fastened with screws. There are no operator serviceable areas within these covers.
- Never locate the machine near a radiator or any other heat source.
- Never override or “cheat” any of the electrical or mechanical interlock devices.
- Always unplug this equipment from the electrical outlet before cleaning.

Emergency Power Off

If any of the following conditions occur, turn off the scanner immediately and disconnect the power cable(s) from the electrical outlet(s).

- The equipment emits unusual odors or makes unusual noises.
- The power cable is damaged or frayed.
- A wall panel circuit breaker, fuse, or other safety device has been tripped.
- Liquid is spilled into the machine.
- The machine is exposed to water.
- Any part of the machine is damaged.

Maintenance Information

- Any operator product maintenance procedures will be described in the user documentation supplied with the product.
- Do not carry out any maintenance on this product which is not described in the customer documentation.
- Do not use aerosol cleaners. The use of cleaners that are not approved may cause poor performance of the equipment, and could cause a dangerous condition.
- Use supplies and cleaning materials only as directed in this manual.
- Do not remove covers or guards that are fastened with screws. There are no parts behind these covers that you can maintain or service.
- Do not perform any maintenance procedures unless you have been trained to do them by an authorized local dealer or unless a procedure is specifically described in the user manuals.
- Never place this equipment where people might step on or trip on the power cord.

TABLE OF CONTENTS

Welcome	1
What's in the Box	1
System Requirements	1
Documentation	2
The Visioneer® Patriot D40 Scanner Features	3
Scanner Setup	5
Connect the Power Cord	6
Moving or Repacking the Scanner	7
Installation	9
Install the Software and Connect the Scanner	9
Installing the Scanner Driver	11
Connect the USB Cable and Turn on the Power	12
Installing Visioneer OneTouch	14
Installing Additional Applications	15
View the User Guides	16
Register Your Scanner	17
Loading Documents to Scan	19
Supported Document Types	19
Documents to Avoid Scanning	20
Unsupported Document Types	20
Scanning from the Automatic Document Feeder (ADF)	21
Scanning Regular Documents	21
Scanning Dot Matrix Printer Paper	22
Scanning Interfaces	24
Maintenance	27
Safety Precautions	27
Hardware Properties	28
Device Settings	28
Driver Settings	29
Adjusting the Paper Guides	30
Clearing Paper Jams	31
Cleaning the Scanner	32

Cleaning Inside the Automatic Document Feeder 32

Replacing the Separation Roller..... 34

Replacing the Feed Roller..... 36

Troubleshooting 39

 Error Light Troubleshooting Codes 41

Uninstalling Your Scanner 42

Visioneer® Patriot D40 Specifications..... 43

Visioneer® Patriot D40 Parts List..... 45

Appendix A: Copy Regulations 47

 United States..... 47

 Canada 48

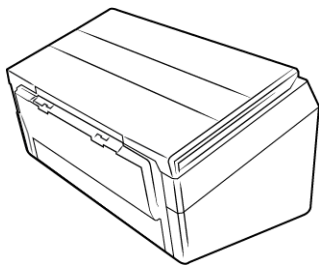
 Other Countries 49

WELCOME

Your new Visioneer® scanner can quickly scan stacks of single-sided or double-sided pages and place their electronic images on your computer.

WHAT'S IN THE BOX

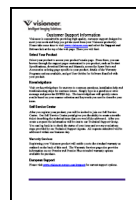
Before proceeding, check the contents of the box. If items are missing or damaged, contact the dealer where you purchased the scanner.



Visioneer® Patriot D40



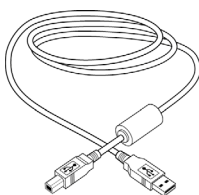
Quick Install Guide



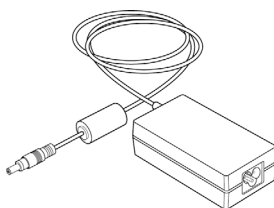
Technical Support Card



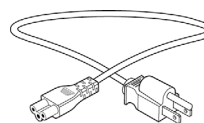
Installation Disc



USB Cable



Power Supply



Power Cord

SYSTEM REQUIREMENTS

- Intel Pentium 4 or equivalent processor
- DVD-ROM drive capable of reading Dual Layer DVDs
- Universal Serial Bus (USB) port
- Microsoft® Windows® operating system:

- 32-bit Windows XP (Service Pack 3)
- 32-bit or 64-bit Windows Vista (Service Pack 2)
- 32-bit or 64-bit Windows 7 (Service Pack 1)
- 32-bit or 64-bit Windows 8 / 8.1
- 32-bit or 64-bit Windows 10
- 2 gigabyte (GB) internal memory (RAM)
- Minimum available hard disk space:
 - 350 MB for the scanner driver
 - 750 MB for Visioneer OneTouch
 - 1 to 2 GB for each additional application

Please refer page 15 for a list of the applications provided with your scanner.

- Monitor (recommended settings):
 - Color quality of 16-bit or 32-bit
 - Resolution set to at least 800 x 600 pixels

Refer to your Windows documentation for instructions on setting the color quality and resolution for the monitor.

DOCUMENTATION

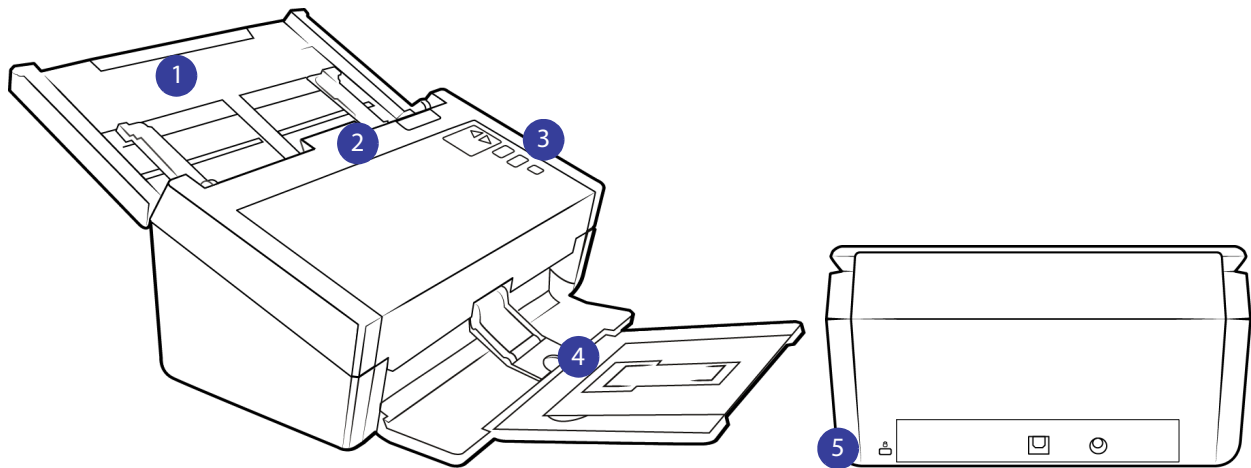
The following printed documentation is provided in the box:

- **Installation guide**—abbreviated scanner setup and installation instructions.

The following soft-copy documentation is available on the installation disc:

- **Scanner user guide**—instructions for scanner setup, installation, operation, maintenance, safety, and warranty
- **OneTouch scanning guide**—instructions for configuring and scanning using OneTouch
- **TWAIN scanning guide**—instructions for accessing and scanning using the TWAIN interface
- **Nuance PaperPort user's guide**—contains detailed information using the application and managing your scanned documents.
- **Nuance OmniPage user's guide**—contains detailed instructions on using the software, including information on using Optical Character Recognition to create editable text files from the scanned documents.

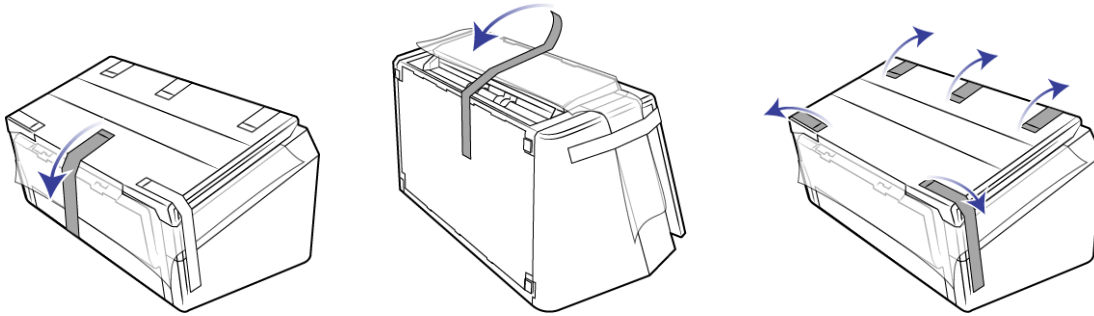
THE VISIONEER® PATRIOT D40 SCANNER FEATURES



1. **Input Tray**—Holds the documents in the Automatic Document Feeder for scanning.
 - **Extension**—Pull out to support various document lengths.
 - **Paper Guide Switch**—Push up to allow the paper guides to adjust wider for dot matrix printer paper.
 - **Paper Guides**—Slide to adjust to document width.
2. **Automatic Document Feeder**—Feeds documents through the scanner during scanning.
 - **ADF Cover Release**—Press to open the Automatic Document Feeder.
3. **Control Panel**—OneTouch scanning controls.
 - **LED Number**—The selected OneTouch function for the Simplex and Duplex buttons.
 - **Function Buttons**—Select the scan setting for the OneTouch buttons. Press the up or down arrow to cycle through the settings.
 - **Simplex Button**—Press to scan single-sided documents.
 - **Duplex Button**—Press to scan double-sided documents.
 - **Status Light / Power Button**—Turns the scanner's power on/off and indicates the scanner's status.
4. **Output Tray**—Holds documents after being scanned.
 - **Paper Stop (Short Documents)**—Flip up to keep short items stacked neatly in the output tray after scanning. Slide to adjust to the length of the scanned documents.
 - **Extension**—Flip out to support various document lengths.
 - **Paper Stop (Regular Documents)**—Flip up to keep regular documents stacked neatly in the output tray after scanning.
5. **Connections**—Scanner connection ports.
 - **Safety Lock Slot**—Connect a Kensington® style safety lock.
 - **Universal Serial Bus (USB) Port**—Connect the scanner to the computer via the USB 2.0 cable.
 - **Power Jack**—Connect the power cord to the scanner.

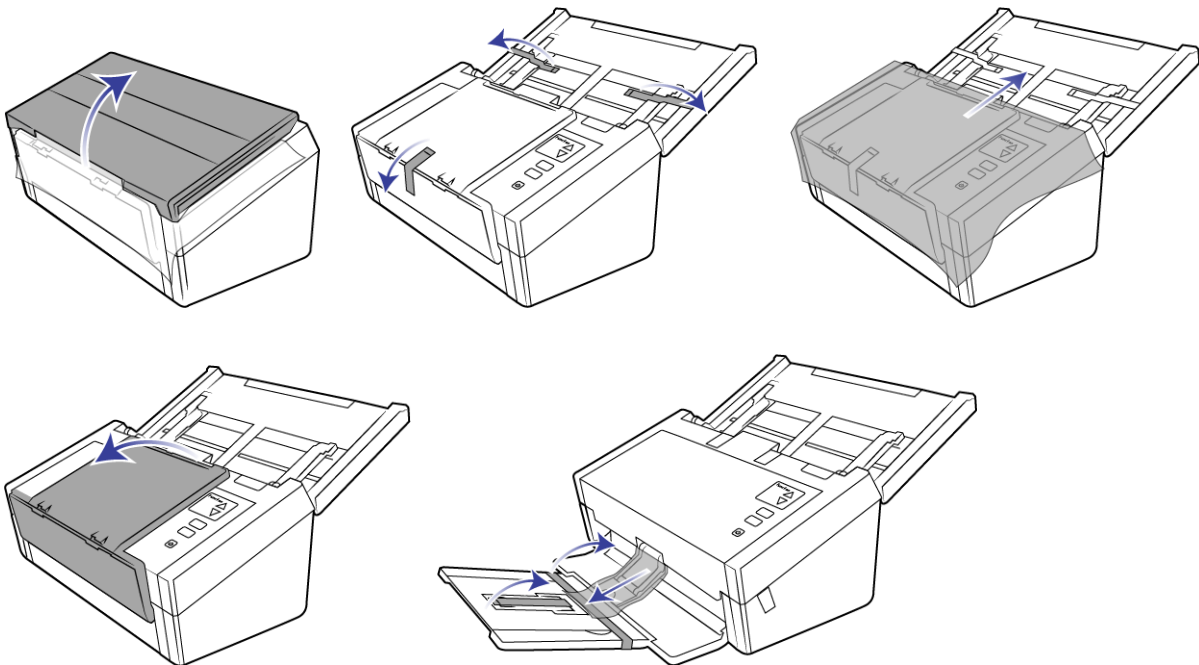
SCANNER SETUP

1. Remove the scanner from its protective foam and plastic bag.
2. Remove any shipping tape from the scanner as indicated in the following illustration(s).



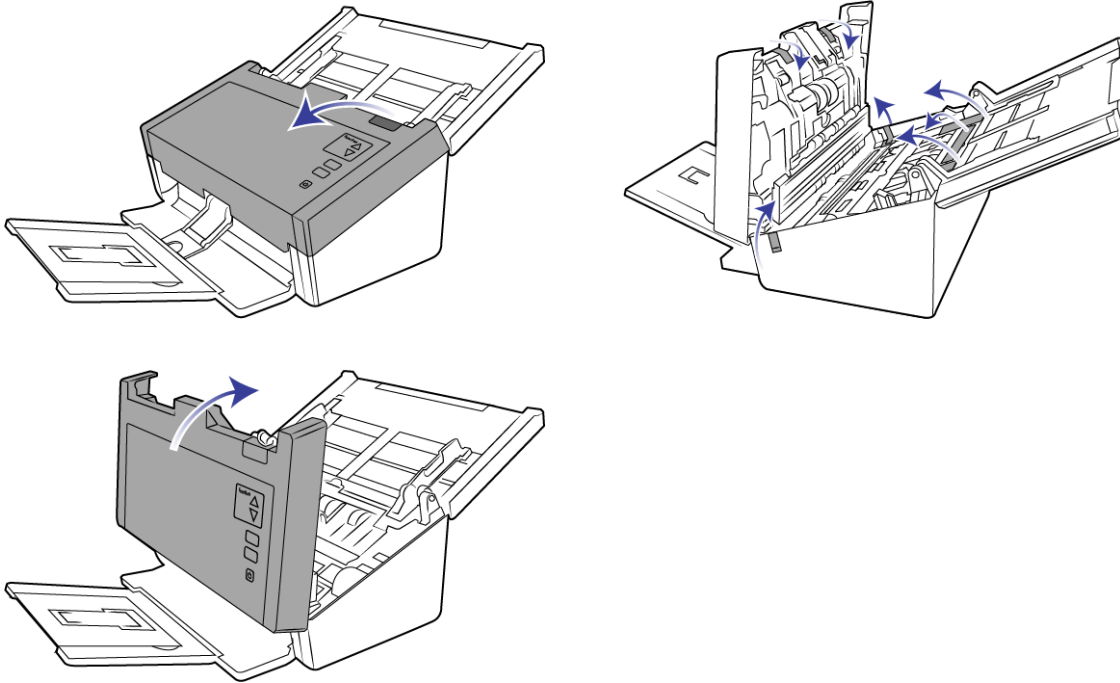
The above illustrations are for example purposes only. Your scanner's packaging may vary slightly.

3. Lift the input tray up from the scanner. Pull the output tray down from the scanner body. Remove any shipping tape from the input and output trays.



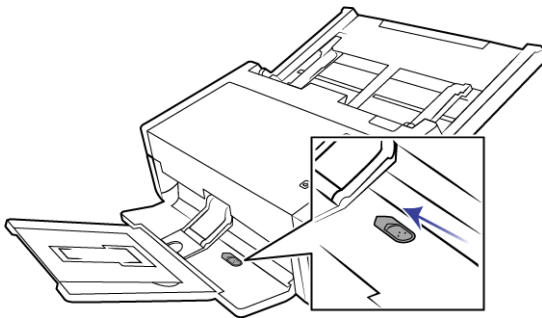
The above illustrations are for example purposes only. Your scanner's packaging may vary slightly.

4. Open the automatic document feeder cover and remove any tape or protective foam from inside the feeder. Close the feeder cover when you are finished.



The above illustrations are for example purposes only. Your scanner's packaging may vary slightly.

5. Slide the release switch in the output tray if you want it to lay flat on the desk.

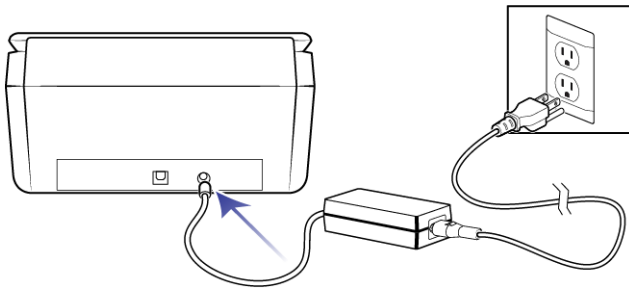


CONNECT THE POWER CORD

Note: Only use the power supply (DA-48M24 made by APD) included with your scanner. Connecting any other type of power supply may damage your scanner, and will void its warranty.

1. Plug the power supply into the power port on the scanner.

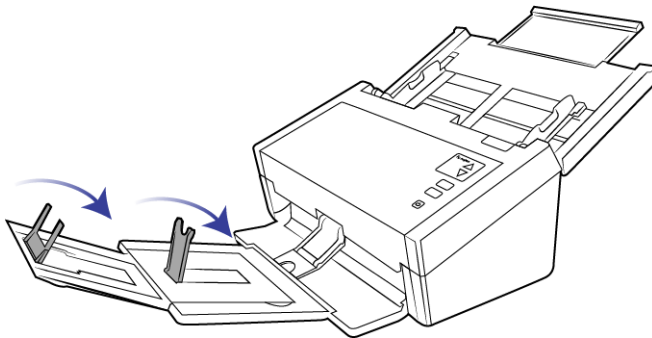
2. Plug the power cord into the power supply and into a wall outlet.



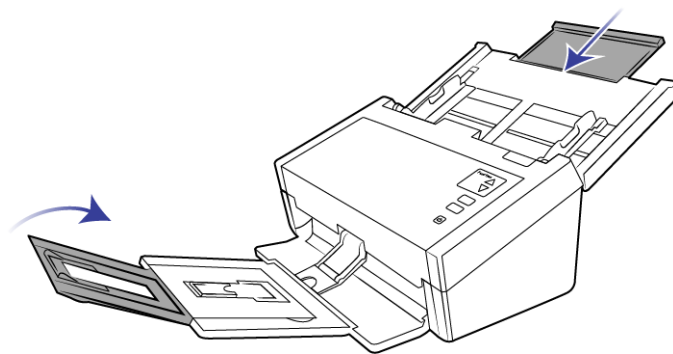
MOVING OR REPACKING THE SCANNER

If you want to move or repack the scanner, please follow the instructions in this section to prevent damage to the scanner's input and output tray.

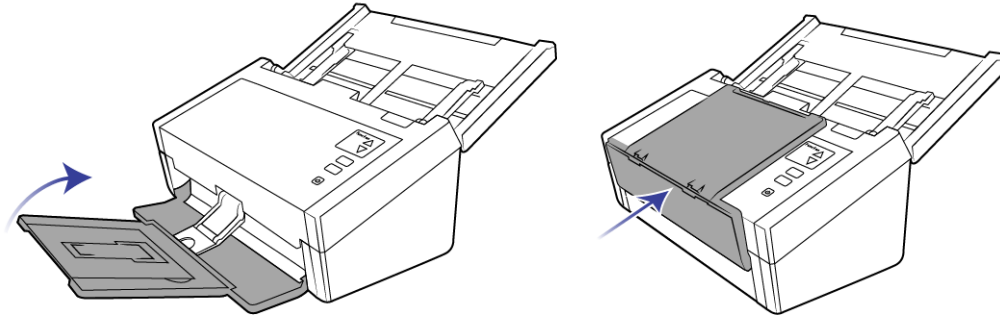
1. Lower the paper stop.



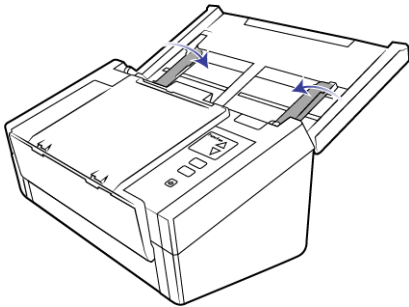
2. Close the input and output tray extensions.



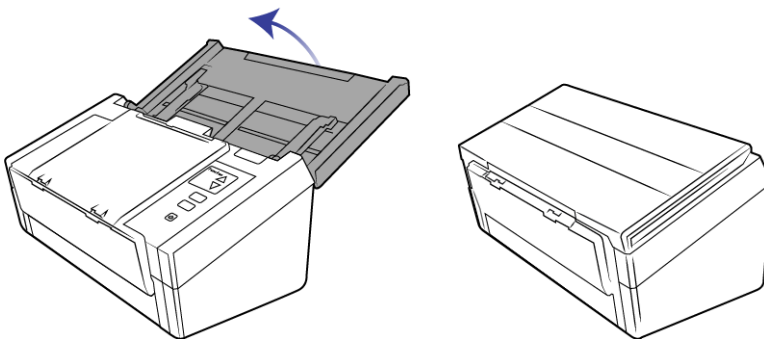
3. Lift the output tray up and fold it against the scanner. Press on the output tray until it clicks in place.



4. Flip the paper guides closed so that they are flat against the input tray.



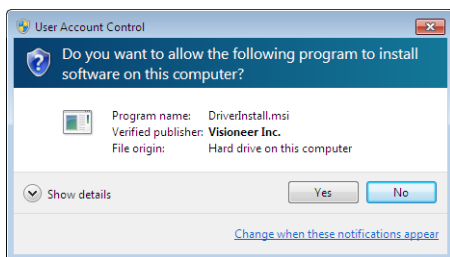
5. Close the input tray.



INSTALLATION

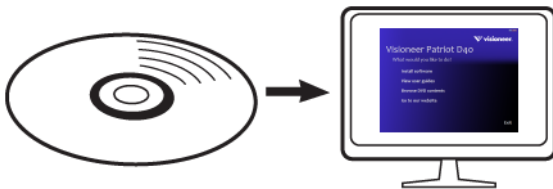
Please make sure of the following before you begin installation:

- If you are prompted to reboot during installation, please select “No”. Finish installing the rest of the software, then close all open windows and reboot your computer.
- The information in this guide may cover software not provided with the scanner you purchased. Please disregard any information about the software not applicable to your scanner.
- If your computer has AntiVirus or AntiSpyware software running, you may encounter alerts or messages during installation asking you to allow the installation to proceed. Although the messages will differ based on the software your computer is running, in each case you should allow the installation to proceed if that option is available. Alternatively, you can turn off the AntiVirus or AntiSpyware software before installing your scanner, but if you do, make sure to turn it back on again when installation is finished.
- If your computer is running Windows Vista or later, you may see the Windows User Account Control screen asking you to confirm system changes. Click the Yes button to allow the installation to proceed.



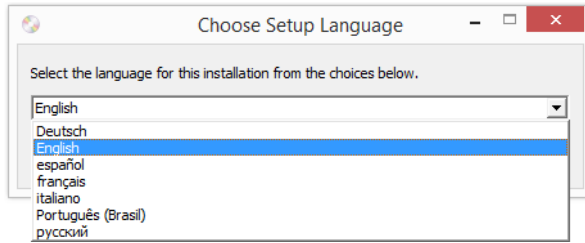
INSTALL THE SOFTWARE AND CONNECT THE SCANNER

1. Start Microsoft Windows and make sure that no other applications are running.
2. Insert the installation disc into your computer's DVD-ROM drive.



The disc automatically starts.

- The Select Language window opens. Click the drop-down menu arrow and select the language to use. Click **OK**.



The disc's Main menu window opens.

Note: If the disc does not start, check the following:

- Make sure the disc drives door is completely shut.
- Make sure the disc was inserted in the drive in the proper direction (label side up).

To launch the disc manually:

- Open the Windows options for your computer's disc drives.
- Double-click the icon for your DVD-ROM drive.
- The Installation menu for the disc should now open.

If the menu does not open:

- From the list of files on the disc, double-click the file named setup.exe.

- On the Main menu, select **Install software**.



5. Make sure the boxes for **Scanner Driver** and **Visioneer OneTouch** are selected, as well as any other applications you want to install.



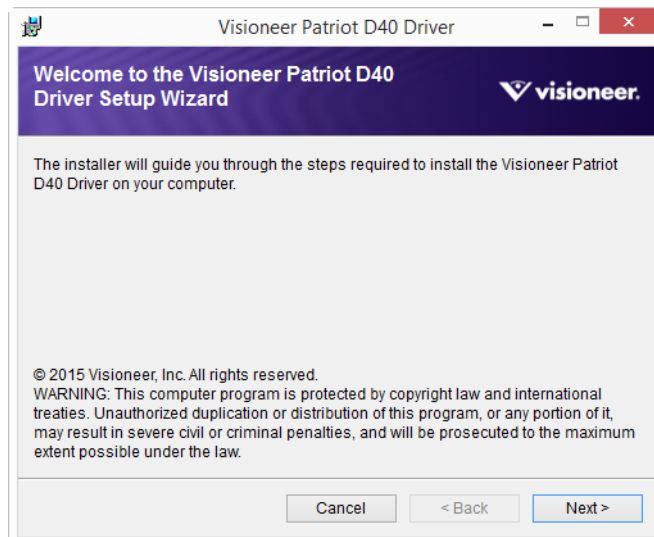
Note: The software provided with your scanner may differ slightly from the list shown in the window.

6. Click **Install now**.

Installing the Scanner Driver

The scanner driver installation will start first.

1. The Welcome screen for the scanner driver Setup Wizard opens. Click **Next**.

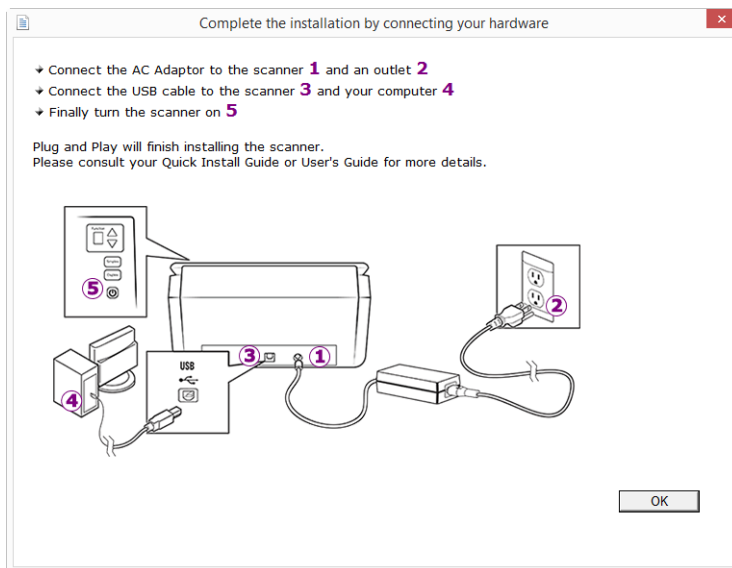


Note: there may be an option in the installation window to remove any current scanning profiles. You will see this prompt if you already have a previous version of the scanner driver installed. Select the option in the installation window only if you want the existing profiles *removed*.

2. On the Visioneer License Agreement window, read the license agreement. If you accept the terms, select **I Agree** then click **Next**.

If you choose not to accept the license agreement, click **Cancel**. Click **Close** on the Installation Interrupted window.

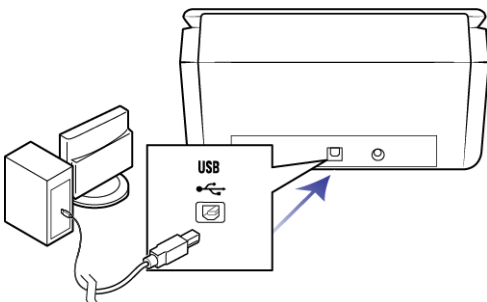
3. The software will now be installed.
4. **Stop** when you see the “Complete the installation by connecting your hardware” window. Do not click **OK** yet. Leave the window open and proceed to the next section.



Note: If you do not see this on-screen diagram for connecting the scanner, stop and follow the instructions below.

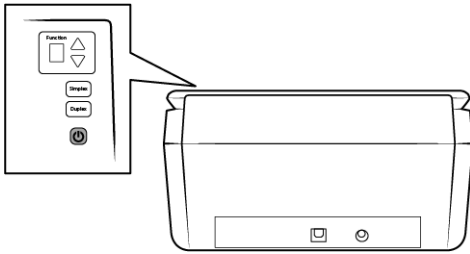
Connect the USB Cable and Turn on the Power

1. Remove any tape from the USB cable.
2. Plug the USB cable into the USB port on the scanner then into a USB port on the computer. Check your computer's manual for USB port locations.



If the plug does not attach easily, make sure that you are plugging it in correctly. Do not force the plug into either connection.

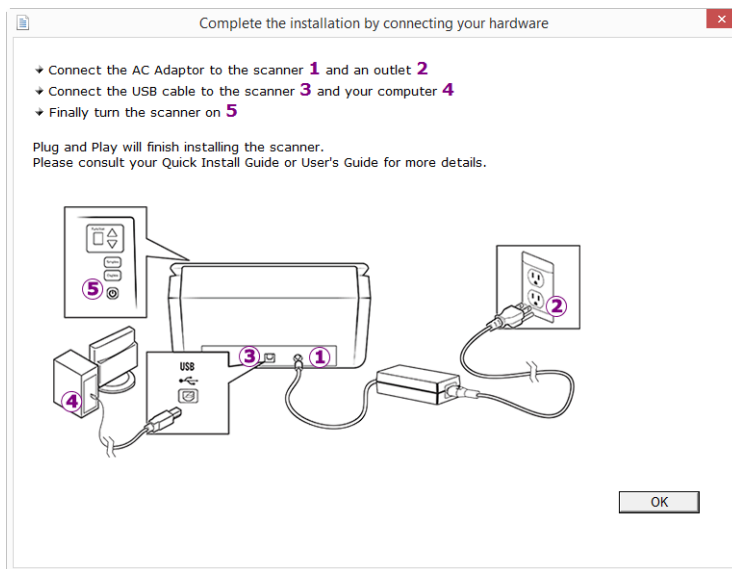
3. Turn on the scanner power.



The status light comes on and flashes indicating that the scanner is receiving power.

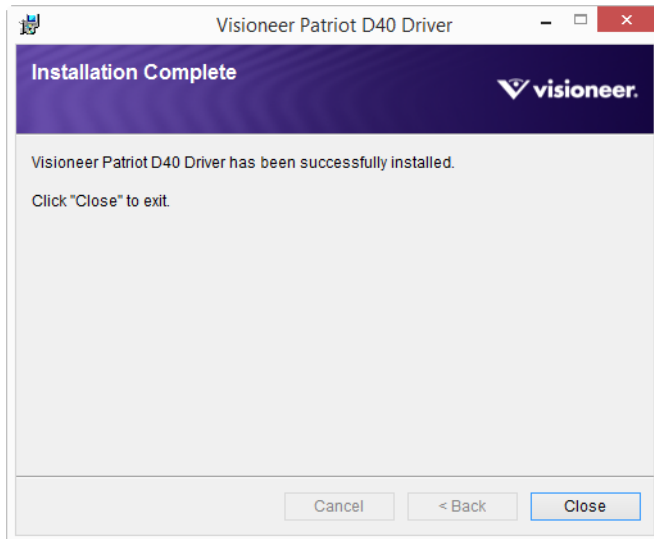
Your computer recognizes that a scanner has been plugged into the USB port and automatically loads the appropriate software to run the scanner.

4. When you're certain that the software has completely loaded, return to the "Complete the installation by connecting your hardware" window.



5. Click **OK** to complete the installation process.

- Click **Close** on the Installation Complete window to close and exit the driver installer.



Installing Visioneer OneTouch

The Visioneer OneTouch software installation will start automatically after you click **Close** on the driver Installation Complete window.

- Click **Next** on the Welcome to the OneTouch Setup Wizard.



Note: there may be an option in the installation window to remove any current scanning profiles. You will see this prompt if you already have a previous version of OneTouch installed. Select the option in the installation window only if you want the existing profiles *removed*.

- On the Visioneer License Agreement window, read the license agreement. If you accept the terms, select **I Agree** then click **Next**.

If you choose not to accept the license agreement, the installation will terminate and OneTouch will not be installed.

3. Click **Close** on the Installation Complete window to close and exit the software installer.

Note: If you selected other software to install from the DVD the installation for that software will automatically start after you click **Close** on the Installation Complete window. Follow the instructions on-screen to install each application you selected.

INSTALLING ADDITIONAL APPLICATIONS

Your scanner includes free, additional applications as described in the table below.

1. Return to the disc’s Main menu and click **Install software**.
2. Select the additional applications you want to install, then click **Install now**.



3. Follow the instructions on the screen to install each of the additional applications.

Software	About the Software
Nuance PaperPort®	PaperPort is a document management software application. The PaperPort scanning features allow you to insert new pages into an existing file and name your file immediately after scanning. From within the PaperPort desktop you can sort your documents and move them between folders as you would through the Windows My Documents folder. You can reorder the pages in a PDF file, and unstack a document so all the pages are re-saved as individual files. PaperPort also has some basic image editing options in the PaperPort PageView, such as; adding notes to image files, modifying image colors, and touch up the image using the erase and/or auto-correct options. You can see more information about this application at www.nuance.com
Nuance OmniPage®	OmniPage Pro provides precision OCR analysis, advanced layout detection, and Logical Form Recognition™ (LFR) technology. Advanced security features quickly turn office documents and forms into over 30 different PC applications for editing, searching and sharing. Custom workflows handle large volumes of documents, and you can use its tools to print to PDF.

Software	About the Software
Nuance Power PDF	Power PDF features 100% industry-standard PDF creation and editing plus the world's most accurate PDF conversion to editable Microsoft® Office® formats available. It also offers one-click scanning to PDF, the most advanced PDF search capabilities, excellent graphics management, document flattening and auto-removal of sensitive information. Combining unparalleled functionality, built-in intelligence and ease of use, Power PDF enables users to create, convert, edit, assemble and securely share PDF files like never before for enhanced professionalism, productivity and collaboration.

VIEW THE USER GUIDES

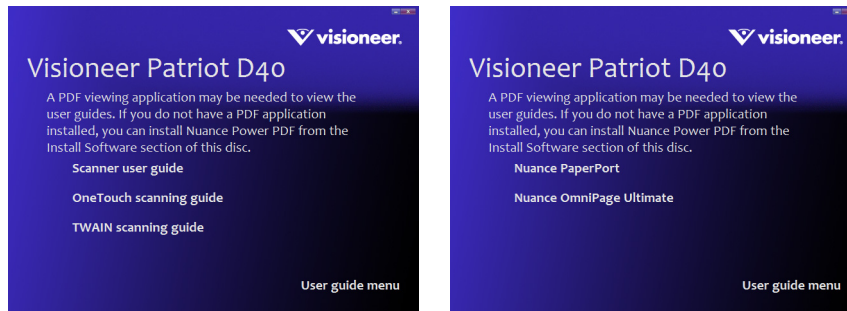
1. Return to the disc's Main menu and click on **View user guides**.



2. Click on **View scanner documentation** to access the scanner user guide and scanning guides for OneTouch and TWAIN.
 - **Scanner user guide**—Instructions for scanner setup, installation, operation, maintenance, safety, and warranty
 - **OneTouch scanning guide**—Instructions for configuring and scanning using OneTouch
 - **TWAIN scanning guide**—Instructions for accessing and scanning using the TWAIN interface

Click on **View software documentation** to access the user guides for the software applications provided with the scanner.

From either of these user guide windows, click on the **User guide menu** button to return to the main user guide window, then select the other documentation section to view the user guides.



3. Click the links of the guides you want to view.
4. When you're finished, click **Main menu** to return to the Main menu window and click **Exit**.
5. Remove the installation disc and store it in a safe place.

REGISTER YOUR SCANNER

Registering your scanner is important as it provides you with access to our free telephone support service. Registration also gives you free access to software updates for your scanner.

You will need an active network connection to register your scanner. If you do not have network access you can contact our customer service department to register the scanner. Please refer to the Technical Support Card, that you received with the scanner, for our customer service contact information.

1. Open an Internet Explorer window, or any other Internet browser you have installed on your computer.
2. In the web address field type www.visioneer.com.
3. Press Enter on your computer's keyboard or click the option on screen to go to the web address.
4. When the Visioneer® scanners web page loads click on **Register Your Product**.
5. Fill in the registration form, all required fields have an asterisk (*).
A valid email address is required for registration.
6. You will be asked to enter the serial number for the scanner, it is located on the back or underside of the scanner.
7. After filling in the form, click on **Submit Your Registration** to complete the registration.

LOADING DOCUMENTS TO SCAN

Always remove any staples or paper clips from documents before inserting them into the scanner. Staples and paper clips can jam the feed mechanism and scratch the internal components. Also remove any labels, stickers, or Post-It™ notes that may come off during the scanning process and get stuck in the scanner. Misuse as described here will void your scanner's warranty. Please go to www.visioneer.com, select your product, and then click the "Warranty Program" link to view the warranty terms and conditions for your scanner.



SUPPORTED DOCUMENT TYPES

You can scan the following types of documents and cards with this scanner.

- Maximum amount of paper in the input tray
 - Approximately 80 pages of 20 lb (75–80 g/m²) new printer paper
- Document size
 - Minimum size (width x length) – 3 x 2.5 inches (76 x 64 mm)
 - Maximum size (width x length) – 8.5 x 14 inches (216 x 356 mm)
 - Maximum length with long document enabled
 - 118 inches (2997 mm) up to 300 dpi
 - 59 inches (1499 mm) at 400 dpi and higher

We recommend scanning one page at a time when the documents you are scanning are longer than 14 inches (356 mm).

- Mixed document stacks
 - Scanner minimum to maximum without long document enabled

Arrange the documents so that all items are centered in the stack. The document sensor, paper separation, and feed rollers are located in the middle of the paper path. If smaller items are offset from the center they will not be detected. This will cause feeding issues and paper jams.
- Dot matrix printer paper

- Paper thickness between 7–110 lb paper (27–413 g/m²)
- Embossed plastic cards up to 1.25 mm thick
- Non-embossed plastic cards up to 1 mm thick

DOCUMENTS TO AVOID SCANNING

The documents in this list can be scanned, but please note that scanning documents of this type will reduce the life of the scanner. Maintenance will be required more often and replaceable parts will wear faster. These types of documents will jam more frequently and damage to the original documents may occur. If you do choose to scan these document types, do not scan large batches. This type of use is not covered under the scanner warranty and alters replacement parts life expectancy.

We recommend you limit the amount or completely avoid scanning documents that are in this list.

- Curled, wrinkled or folded documents may cause paper jams or multiple pages being fed through the scanner at one time.
- Perforated or punched paper that could tear when the separation roller engages.
- Coated paper or photographs where the coating can flake off during scanning and leave residue in the scanner.
- Extremely smooth, shiny, or highly textured paper may cause the paper feed rollers to slip across the page and cause the scanner to report a paper jam.
- Carbonless copy paper may tear while being fed through the scanner and the pressure of the rollers may leave streaks on the page. The chemical coating on this paper will rub off on the rollers during the scan process, increasing the frequency of miss-feeds and paper jams.
- Partially transparent paper such as tracing paper as any images from the opposite side of the page or black background will appear in the scanned images.

UNSUPPORTED DOCUMENT TYPES

Do not scan the following types of documents as they may cause damage to the scanner.

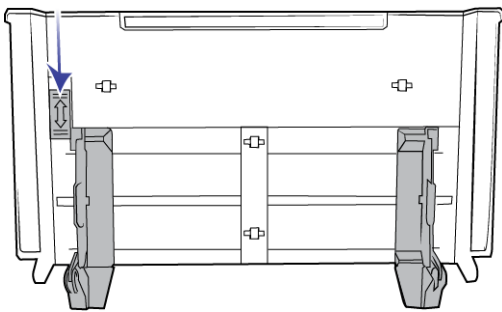
- Items outside of the specified supported sizes, thickness, and weight defined in this document.
- Non-rectangular or irregularly shaped paper will cause the scanner to detect and report document skew errors or paper jams.
- Carbon paper that will leave residue in the scanner and on the rollers that will transfer to the next set of documents scanned.
- Documents with hard items attached such as paper clips, binder clips, and staples.
- Documents with wet ink or white-out.
- Thermal or photosensitive paper.
- Overhead projector sheets, plastic film, camera film, and any other type of transparent or partially transparent plastic item.

- Documents that have been glued together.
- Cloth or metallic sheets.

SCANNING FROM THE AUTOMATIC DOCUMENT FEEDER (ADF)

Scanning Regular Documents

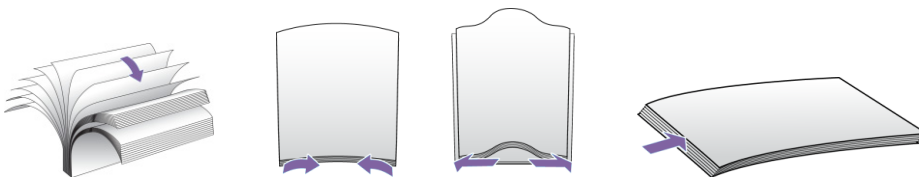
Make sure the paper guide switch is in the correct position for scanning regular documents, as indicated in the following illustration.



When the paper guide switch is in the down position, the paper guides can be adjusted to a maximum of 8.5 inches (216 mm) wide. If the paper guides are adjusted wider than the maximum for regular paper, documents may skew excessively during scanning.

Preparing Documents for Scanning

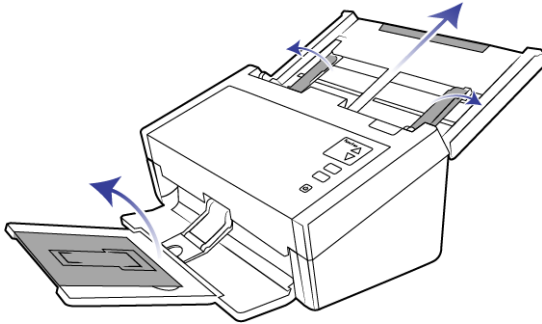
- Fan the documents to make sure all pages in the stack are separated.
- Bend and then flatten the document stack to make sure the horizontal edges are aligned to help prevent paper from skewing while being pulled through the scanner.
- Pinch the ends to align the leading edges slantwise to help prevent multiple pages from being fed through at a single time.



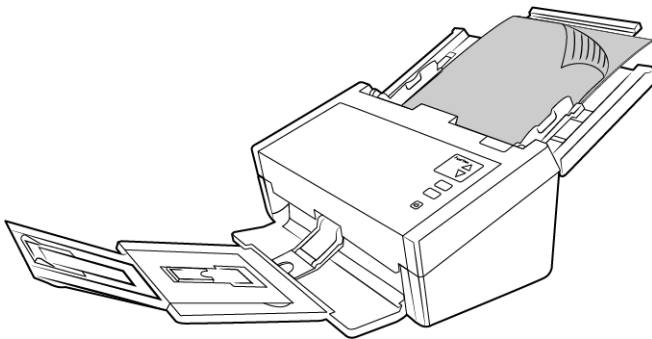
Loading Documents

1. Make sure the paper guide switch is in the down position.

2. Flip up the paper guides and adjust them to the width of the documents you are scanning. Extend the input and output trays.



3. Load the documents *face down* with their tops into the Automatic Document Feeder.

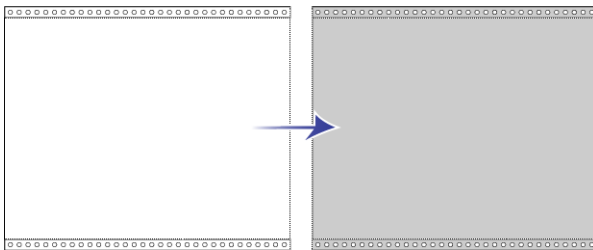


4. You can now scan the documents using the scanner buttons, OneTouch, or one of the other scanning interfaces.

Scanning Dot Matrix Printer Paper

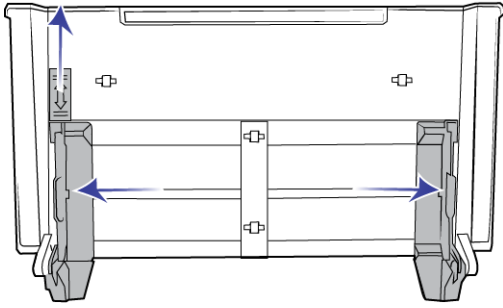
With the Visioneer® Patriot D40 you can scan dot matrix printer paper without removing the perforated sides from the page.

1. Separate the pages so that you have a stack of single pages.

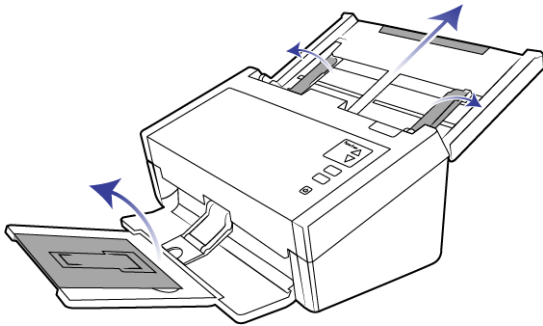


Do not place a stack of connected paper in the input tray. The paper will tear when the separation roller attempts to separate the current page from the rest of the stack. If you want to scan a long document of dot matrix paper, try placing the document stack on the desk behind the input tray. Close the input tray extension and place the leading page in the input tray.

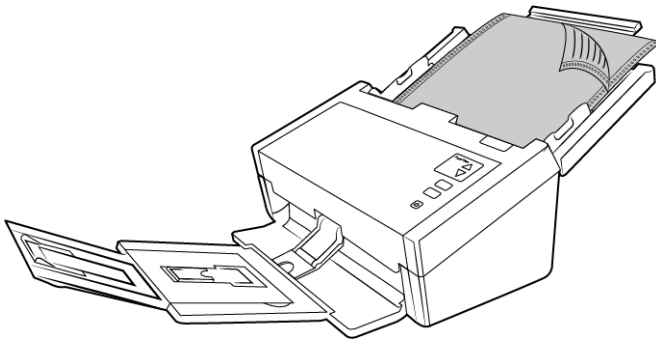
- Slide the paper guide switch up and then adjust the paper guides.



- Flip up the paper guides, extend the input and output trays.



- Load the documents *face down* with their tops into the Automatic Document Feeder.

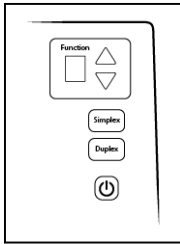


- You can now scan the documents using the scanner buttons, OneTouch, or one of the other scanning interfaces.

SCANNING INTERFACES

- **OneTouch Control Panel**—When you press the Simplex or Duplex button on the scanner, the scanner starts scanning using the settings for the current LED number. The scanned image is then sent to a destination on your computer or network drive.

OneTouch Button Panel—Use this scan option when you want to scan from the computer screen. Scanning from the on-screen OneTouch Button Panel is the same as selecting a scanning option on the scanner, except you click an icon that represents the function.

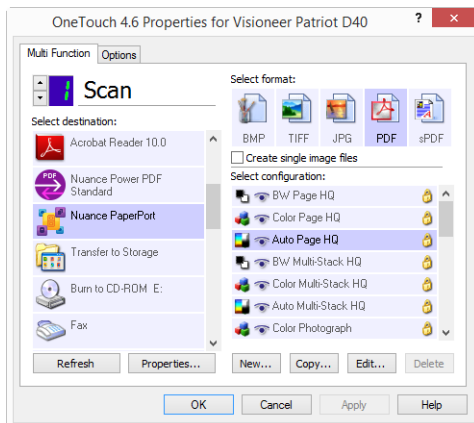


Scanner Control Panel

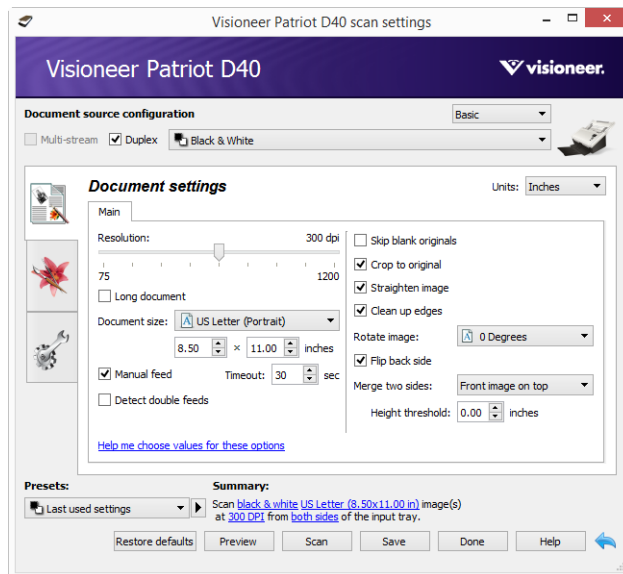


OneTouch Button Panel

Please see the OneTouch Scanning Guide on the installation disc for instructions. You can also click the **Help** button in the OneTouch Properties window to open the instructions in an Internet browser.



- **TWAIN and WIA Interface**—This option uses your scanner's TWAIN interface to scan. Select scanning options before scanning, put the document in the scanner, then click the **Scan** button in the TWAIN interface window.



Please see the TWAIN Scanning Guide on the installation disc for instructions. You can also click the **Help** button in the TWAIN interface to open the instructions in an Internet browser.

- **ISIS Interface**—This option uses the ISIS interface for scanning. Please refer the user manual for your ISIS scanning application for instructions on scanning with the ISIS interface.

MAINTENANCE

This section contains information about maintenance, troubleshooting, uninstalling, scanner specifications, and spare parts.

SAFETY PRECAUTIONS

When servicing the scanner you should take the following precautions to ensure your safety and prevent damage to the scanner.

Do These

- Wear protective gloves when cleaning the scanner with Isopropyl rubbing alcohol. Rubbing alcohol may irritate sensitive skin.
- Only perform scanner maintenance as described in this chapter.
- Keep the scanner and cleaning supplies away from any open flame or heat source as any form of alcohol is flammable.
- Always read the instructions in each section carefully, the instructions are specific to the part you are installing or servicing.
- Move the scanner to an area that has adequate room for opening the scanner.
- If your scanner has a power cord and/or power switch, always turn off the scanner and unplug the power cord before performing maintenance, unless the maintenance instructions below specifically state to leave the scanner plugged in and powered on.
- Always unplug the USB cable from the scanner before performing maintenance, unless the maintenance instructions below specifically state to leave the scanner plugged in.
- Wear an anti-static strap to prevent electrostatic discharge when touching metal components.
- Keep all cleaning supplies, scanner parts and accessories out of the reach of children.

Do Not Do These

- Never attempt installation of any part not described in this manual.
- Never service the scanner near a radiator or any other heat source.
- Never use aerosol sprays or compressed air, or attempt to lubricate parts with an oil or silicon spray.
- Never service the scanner in an area where there are open liquid containers.
- Never pour or spill liquid on the scanner or any of its components.

HARDWARE PROPERTIES

You can use the scanner's properties page to keep track of scanner maintenance, change some of the hardware options, configure the scanner interface behavior, and adjust application options that may be available for your scanner.

To open the scanner hardware properties page:

- **Windows 7 and later**—from the Windows Control Panel, open **Hardware and Sound** and then **Devices and Printers**.

Right-click on the scanner and then select **Scan properties** from the list. Click **Yes** if you are prompted by the Windows User Account Control to confirm that you want make changes to the system settings.

- **Windows Vista**—from the Windows Control Panel, open **Hardware and Sound** and then **Scanners and Cameras**.

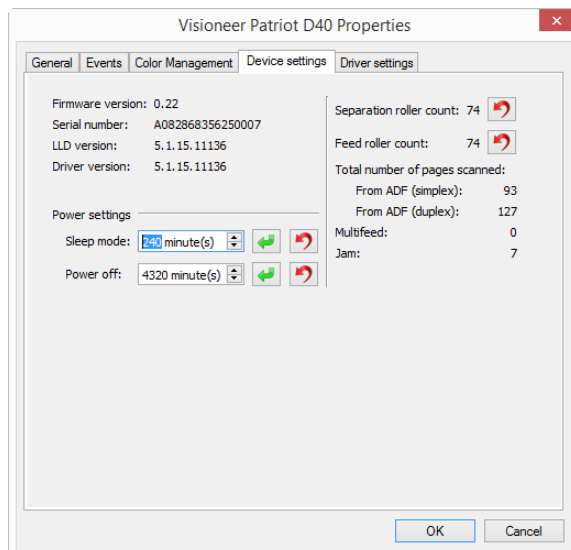
Click on the scanner icon then click on the **Properties** button. Click **Yes** if you are prompted by the Windows User Account Control to confirm that you want make changes to the system settings.

- **Windows XP**—from the Windows Control Panel when in category view, open **Printers and Other Hardware** and then **Scanners and Cameras**.

Right-click on the scanner and then select **Properties** from the list.

Device Settings

The Device Settings tab shows the hardware information for your scanner. The options on the Device Settings tab will be available based on whether or not the scanner hardware supports the feature. Some features described herein may not be available for the current scanner. Please disregard any information about features that you do not see in the interface for your scanner.



Scanner Details

- **Firmware version**—this is the scanner's hardware processor version number.

- **Serial number**—the scanner’s unique identification number.
- **LLD version**—the scanner’s base driver version. This is not the OneTouch software revision, TWAIN or WIA driver versions.
- **Driver version**—this is the version of the scanner’s TWAIN driver.

Power Settings—some features described herein may not be available for the current scanner.

- **Sleep mode**—sleep mode is the low-power state when the scanner is not in use. You can adjust the amount of time you want the scanner to wait before it goes into low power.

Click the green enter button to save any changes in the Sleep mode field.

Click the red reset button to reset to the default timeout value.

- **Power off**—input the number of minutes you want the scanner to wait before it turns itself off.

Click the green enter button to save any changes in the power off field.

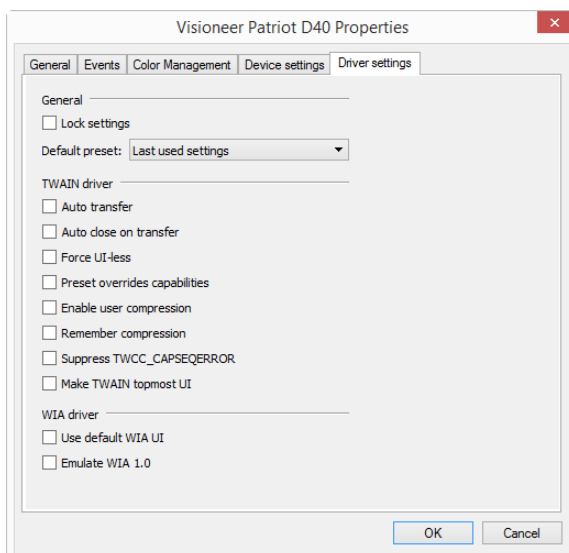
Click the red reset button to reset to the default timeout value.

- **Reset device**—click this button to revert the scanner hardware back to the scanner’s firmware defaults. As this option resets the scanner hardware, you will not see a change in the interface unless the power save time has been changed. Clicking this button includes returning the power save time-out to the default setting.

Counters—click the reset button next to the counter you want to set back to 0.

Driver Settings

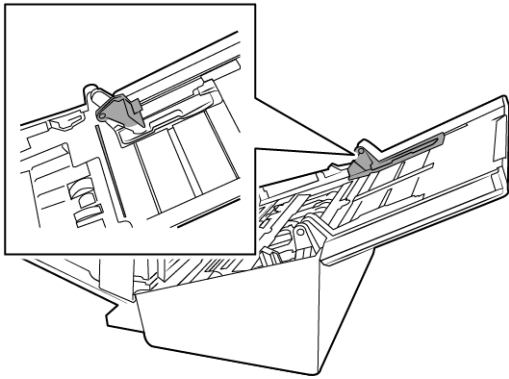
The options in this panel are for configuring how the TWAIN interface will behave in some scenarios. Please see the TWAIN scanning guide on the installation disc for instructions.



ADJUSTING THE PAPER GUIDES

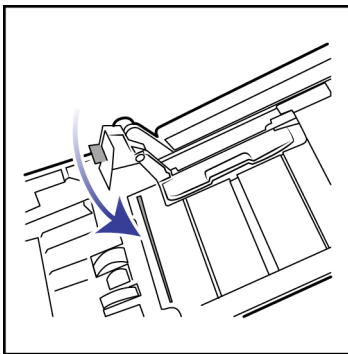
The paper guides are designed to release from the channel in the scanner body. This prevents damage to the paper guides while performing maintenance or removing the input tray. When following the instructions in this section for troubleshooting and maintaining the scanner, please make sure the paper guides are fully seated before closing the scanner.

Check the position of the paper guides in your scanner compared to the following illustration. If the end of the paper guide is flipped over similar to the image, follow the instructions below for properly seating the paper guides.

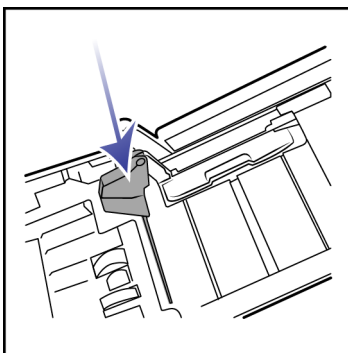


To reset the paper guides:

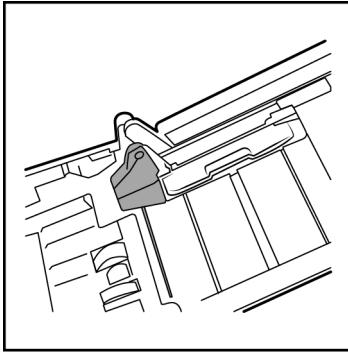
1. Rotate the end of the paper guide and align the tab with the channel in the scanner.



2. Gently press on the paper guide to lock the paper guide in the scanner.



3. You can close the scanner when both paper guides are properly seated in the scanner.

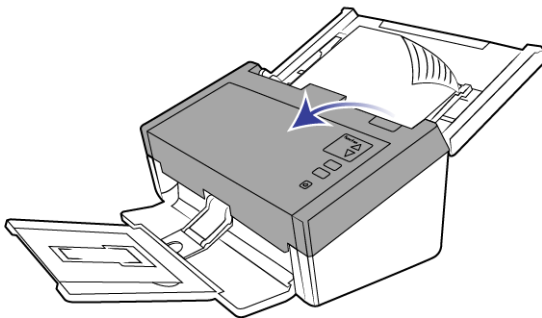


CLEARING PAPER JAMS

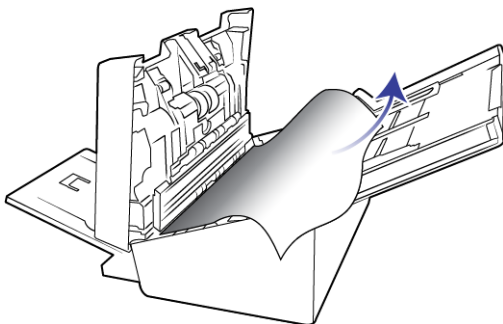
If your scanner stops scanning due to a paper jam in the Automatic Document Feeder, a warning opens after a few moments.

1. Open the Automatic Document Feeder cover.

Do not attempt to remove a jammed page with the scanner closed.



2. Remove the jammed paper and close the cover.



To reduce the number of paper jams, smooth and straighten the paper before scanning, adjust the guides to the paper size, and insert the paper evenly into the ADF.

CLEANING THE SCANNER

Regular maintenance of your scanner can help to ensure continual optimal performance.

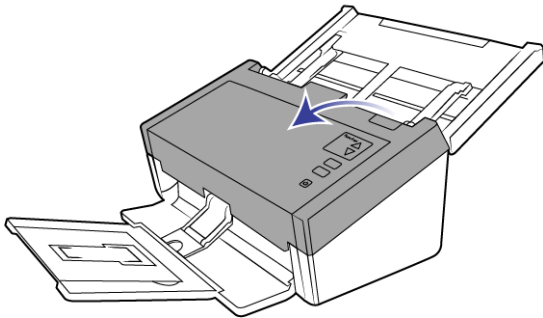
Using a soft, lint-free cloth, wipe down all plastic surfaces on the scanner.

Cleaning Inside the Automatic Document Feeder

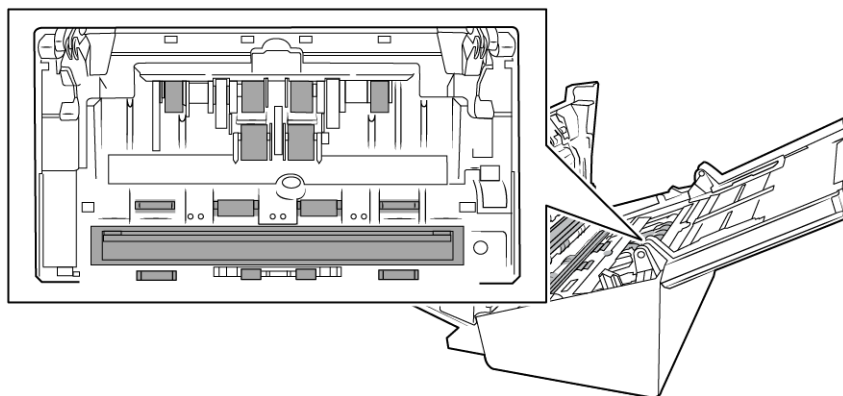
Cleaning the inside of the scanner helps to keep your scanner operating at optimum performance. You should clean the inside of the scanner at least once a week or after 1,000 pages have been scanned. If you are getting frequent paper jams, multiple pages feeding at the same time, or you're seeing lines in the scanned image, it is time to clean the scanner.

Note: Be careful when cleaning the rollers. All of the rollers, except the free rollers, are designed to rotate in one direction only. Do not force the roller to rotate in the opposite direction. Forcing the roller to rotate will damage it, and cause the scanner to feed pages incorrectly.

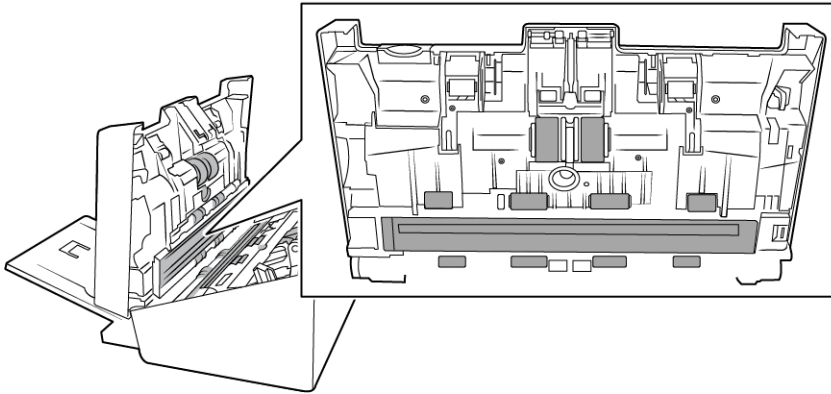
1. Wet a soft cloth with some Isopropyl rubbing alcohol (70%).
2. Open the Automatic Document Feeder cover.



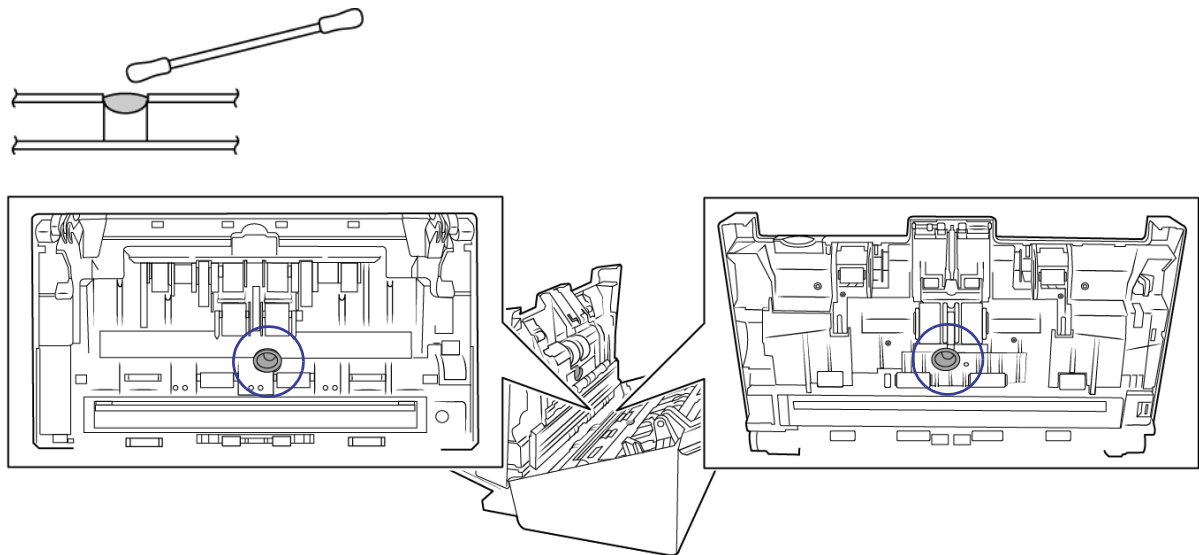
3. Wipe clean the rollers and glass in the scanner body. Rotate the rollers to clean the entire surface.



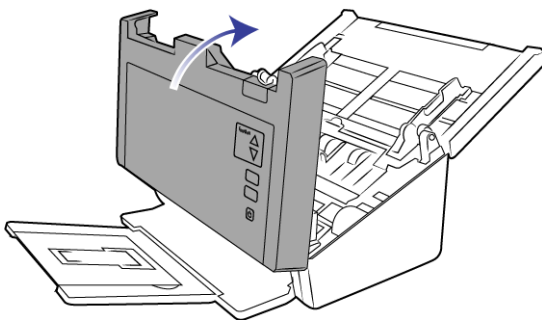
4. Wipe clean the rollers and glass in the underside of the ADF door. Rotate the rollers to clean the entire surface.



5. Using a clean, dry cotton swab, brush away any dust on the double feed detection sensors.



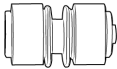
6. Close the scanner when you're finished.



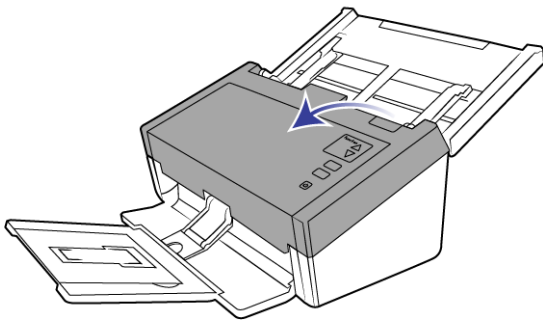
REPLACING THE SEPARATION ROLLER

The roller will wear out and is designed to be a user-replaceable part. A worn roller can cause documents to feed in skewed at an angle, or multiple pages to feed at the same time. Before replacing the roller you should clean it as excessive dust on the roller will make it appear worn and smooth. You cannot properly diagnose a worn roller until you have cleaned it. You should generally replace the roller between 80,000 and 100,000 scans.

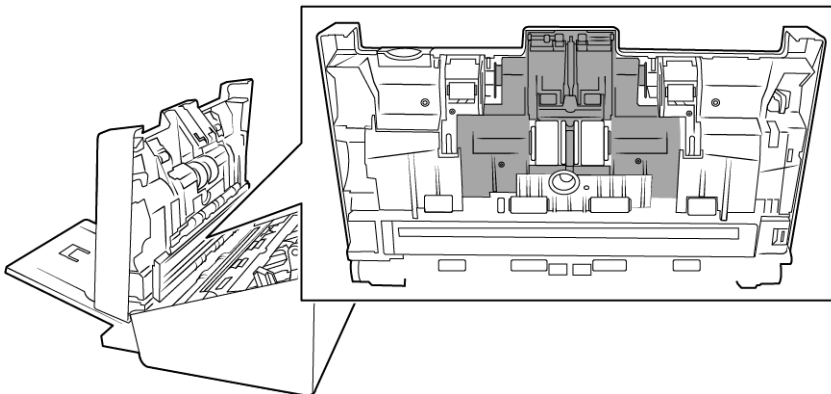
Replacement parts can be purchased from the Parts & Accessories page for your scanner at www.visioneer.com.



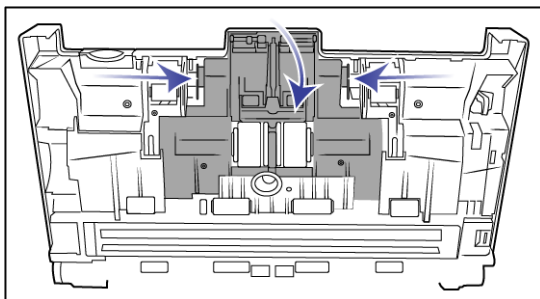
1. Open the scanner.



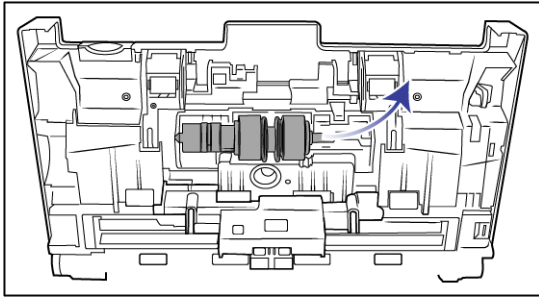
2. Locate the roller cover in the ADF door.



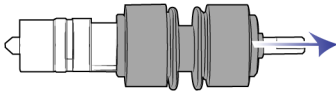
3. Pinch the sides of the roller cover and pull it down to access the roller.



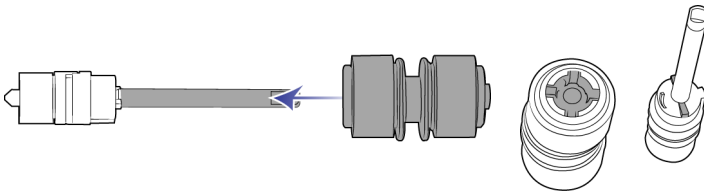
- Carefully angle the roller up and out of the scanner.



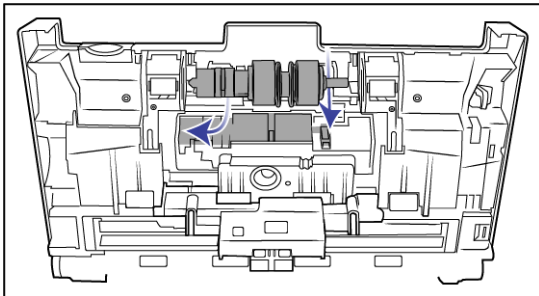
- Remove the replaceable roller from the bar.



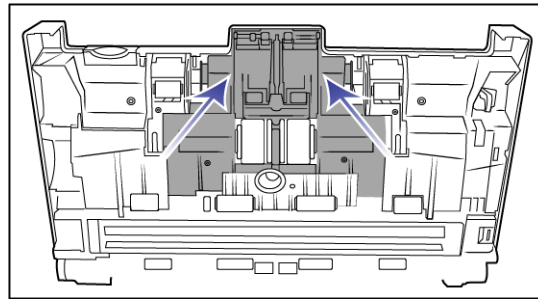
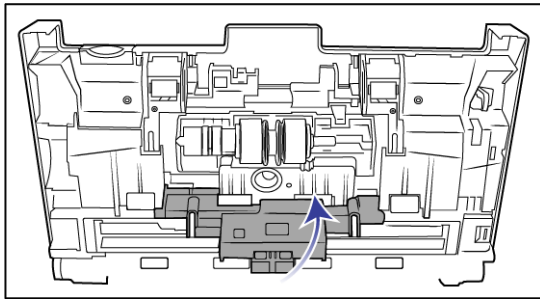
- Discard the roller, it cannot be repaired or reused.
- Take the new roller out of its packaging. Clean any dust off the roller before installing it.
- Slide the new roller onto the bar. Make sure the struts on the bar line up to the slots in the end of the roller.



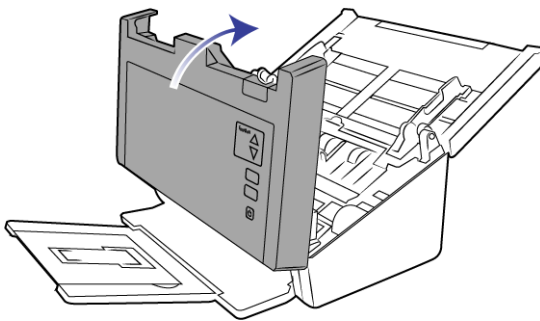
- Insert the round end of the roller into the slot in the scanner. Carefully lower the roller into the scanner. Make sure the groove on the right side of the roller is aligned so that it slides in place into the U-shape of the bracket.



10. Lift the roller cover and carefully push it closed to lock it in place. Make sure everything is aligned properly and the cover is fully closed. If the cover is not fully closed it will break during scanning and damage the scanner.



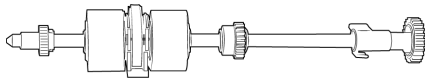
11. Close the scanner when you're finished.



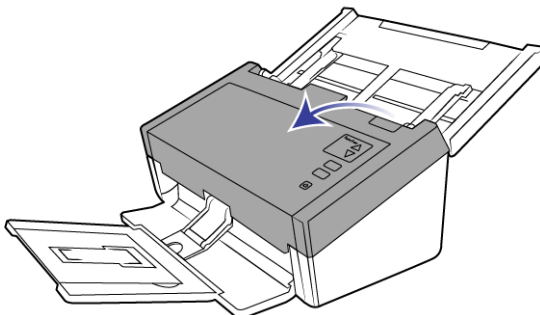
REPLACING THE FEED ROLLER

The roller will wear out and is designed to be a user-replaceable part. A worn roller can cause documents to feed in skewed at an angle, or multiple pages to feed at the same time. Before replacing the roller you should clean it as excessive dust on the roller will make it appear worn and smooth. You cannot properly diagnose a worn roller until you have cleaned it. You should generally replace the roller every 160,000 to 200,000 scans.

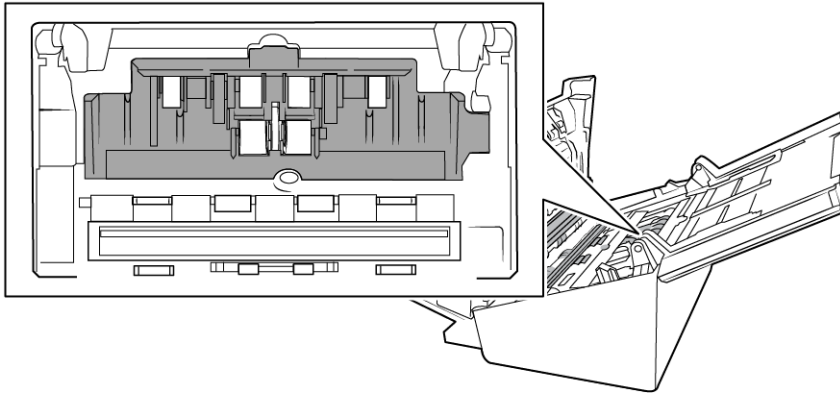
Replacement parts can be purchased from the Parts & Accessories page for your scanner at www.visioneer.com.



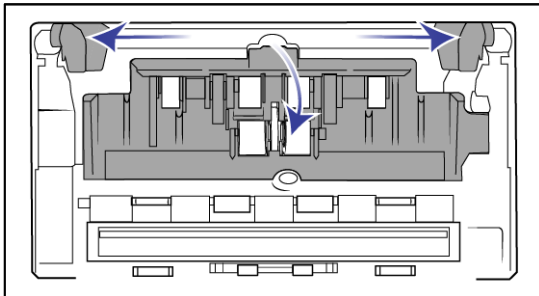
1. Open the Automatic Document Feeder cover.



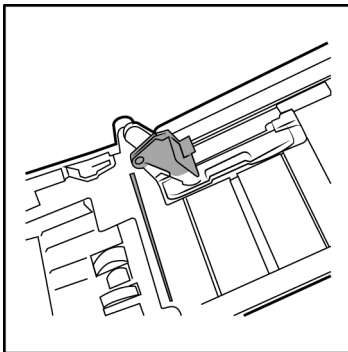
2. Locate the roller cover in the body of the scanner.



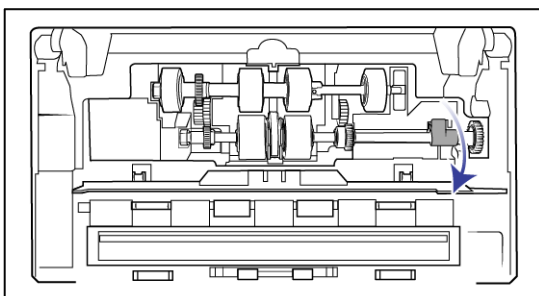
3. Move the paper guides to the side and then pull the feed roller cover away from the scanner.



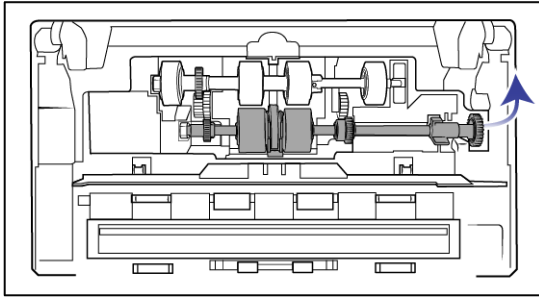
Note: if the paper guides are in front of the roller cover when you open it, they will automatically release from the scanner body. If this happens, follow the instructions on page 30 for resetting the guides in the scanner.



4. The lower roller is held in place with a lock tab that rotates to lock and unlock it. To unlock the tab, rotate it until the small lock flange is completely free.

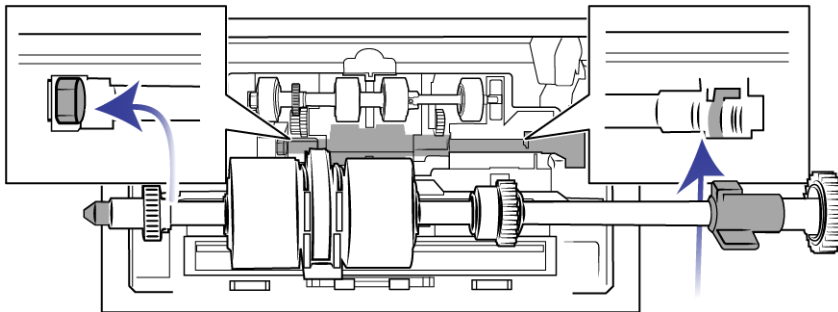


- Carefully angle the roller up and out of the scanner and then discard it, it cannot be repaired.



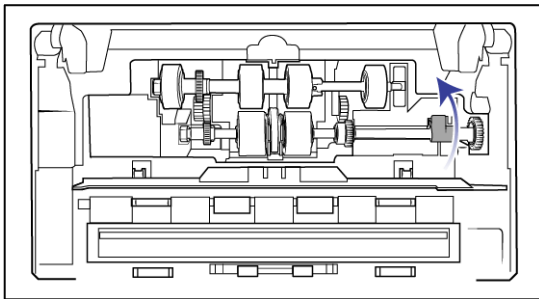
- Take the new roller out of its packaging. Clean any dust off the roller before installing it.
- Insert the left end of the new roller assembly into the hole in the roller channel. Angle the roller module into the roller channel. Align the tab on the lock flange with the slot in the scanner.

Make sure the belt on the roller is facing you and that the gears on the roller module properly align to the gears in the scanner. Hold the roller module in the scanner while you lock it in place.

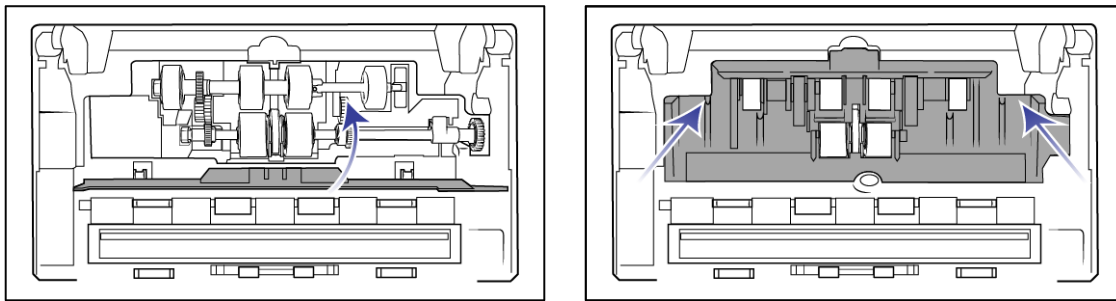


- Rotate the locking tab into the slot in the scanner. Push on the lever until it clicks in place and locks the roller in the scanner.

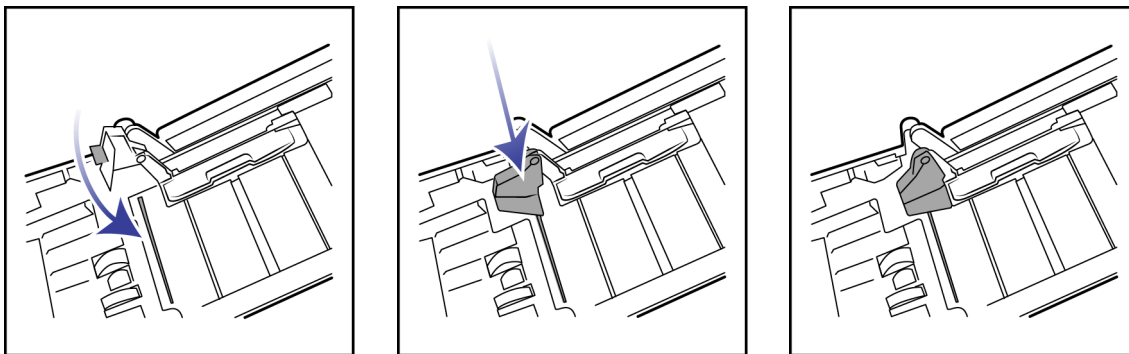
The lock will “click” into place when it is secure. However, if it does not rotate easily into the housing, make sure the flange is properly seated in its latch.



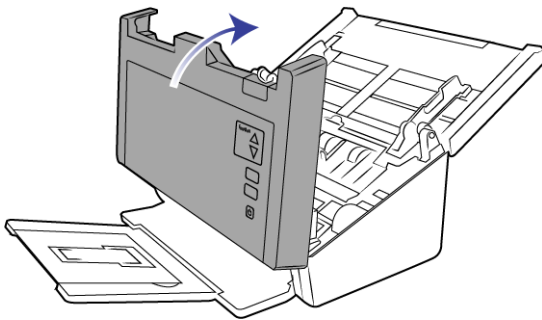
- Lift the roller cover and carefully push it closed to lock it in place. Make sure everything is aligned properly and the cover is fully closed. If the cover is not fully closed it will break during scanning and damage the scanner.



- Make sure the paper guides are properly seated in the scanner.



- Close the scanner when you're finished.



TROUBLESHOOTING

Problem: The scanner won't scan. What's wrong?

Check for one of these possible causes:

- **Are the cables loose or not plugged in securely?** Inspect the cable connections. Make sure the cables are plugged in securely.

- **Is the scanner's status light on?** Turn on the scanner's power. If the status light doesn't come on, plug the power supply into another electrical outlet. If you are using a UPS battery back-up or power strip, try plugging the scanner directly to a wall outlet.
- **Did you restart the computer and scanner?** If the scanner gets a paper jam, or loses connection because of an error, try restarting your computer and power cycling the scanner.
- **Did you plug the scanner into a USB hub?** If you're using a USB hub to connect the scanner try plugging the scanner's USB cable directly to the back of the computer. It is not recommended that you use the scanner with a USB hub, if you are using a hub, the hub must have its own power supply.
- **Is the USB cable 6' or less?** If you are using a USB cable that is longer than 6' you may lose connection to the scanner. The recommended USB cable length is 6' or less, the USB cable provided with your scanner is within this range.
- **Did you select another image source in the scanning software?** If you use multiple imaging devices with your computer, such as a camera, all-in-one printer, or another scanner, you may have selected another source for images. Make sure Visioneer® Patriot D40 is selected as the scanner.

Problem: Why does my scanner not function after performing a system restore on Windows?

The system restore process may have corrupted some of the driver components. It is recommended that you reinstall your scanner driver. Please refer to [Uninstalling Your Scanner](#) on page 42 for installation instructions.

Problem: Why won't my scanner buttons work after scanning with Windows Image Acquisition (WIA)?

After performing a scan using the WIA interface you must close the application you were using before scanning with the buttons on the scanner. This does not occur when scanning using the TWAIN or ISIS interface.

Problem: Why won't my scanner work after the computer has been sitting idle for several hours?

To resolve the problem, simply turn off the scanner power then turn it back on again.

This may occur after Windows goes into power saving mode to "hibernate" the computer into a low power state. When you move your mouse or type on the keyboard it "wakes" the computer back up and restores full power to the system. This power fluctuation during the computer's hibernating period may sometimes cause the scanner to lose communication to the computer.

Problem: The installation will not complete successfully. If installation finishes, the scanner's OneTouch options do not seem to work properly.

A likely cause is that some driver programs are already installed on your computer for another scanner. They may be interfering with the installation and OneTouch options, and you need to remove those other drivers and re-install your Visioneer® scanner. You can remove these programs from the Windows Control Panel. Please refer to the user manual provided with your other scanner hardware for instructions about removing the driver and software for that unit.

Problem: My computer keeps giving me out of hard drive space error messages.

The minimum requirement of free hard drive space is for the installation of the scanner driver and basic, low resolution, scanning. High resolution scans result in files that can be over 1 gigabyte in size. Free up some space on your hard drive for the software to be able to save the scanned images.

Problem: The paper jams the ADF.

To reduce the number of paper jams, smooth and straighten the paper before scanning, and adjust the guides to the paper size. Paper fed into the ADF at an angle can cause the feed mechanism to jam. If paper jams are occurring more frequently, try cleaning the roller with a soft cloth dampened with Isopropyl rubbing alcohol. Excessive dust on the roller can make it appear worn and will cause issues feeding paper. See [Cleaning Inside the Automatic Document Feeder](#) on page 32 for cleaning instructions.

Problem: The ADF won't feed pages properly.

A dirty or worn roller can cause documents to feed in skewed at an angle, or multiple pages to feed at the same time. First, try cleaning the rollers as described in [Cleaning Inside the Automatic Document Feeder](#) on page 32. If the problem persists, the separation and/or feed rollers may need to be replaced. Please see [Replacing the Separation Roller](#) on page 34 and [Replacing the Feed Roller](#) on page 36.

Problem: If the USB cable is disconnected during a scan, the scanner does not reconnect when the USB cable is plugged back in.

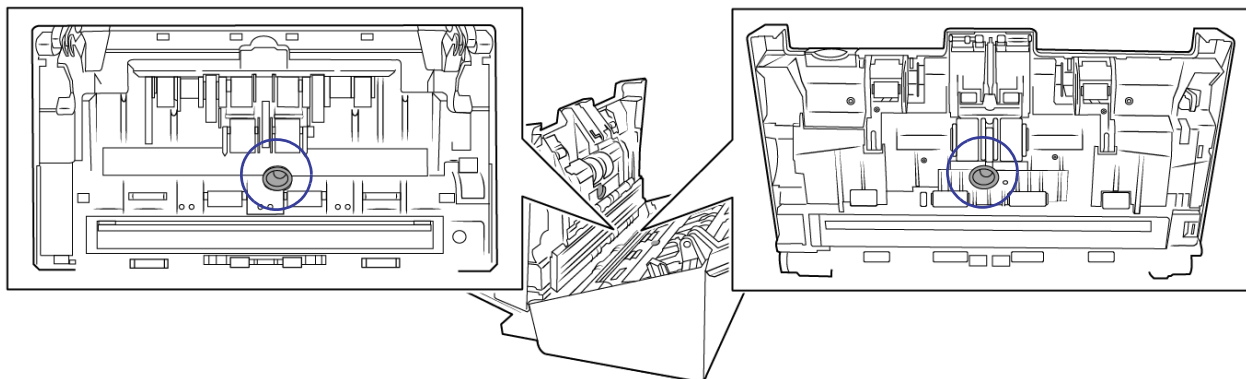
Unplug the power cable from the scanner, and then plug it back in.

If the scanner does not reconnect:

1. Unplug the power cable from the scanner.
2. Restart your computer.
3. After the restart is complete, plug the power cable back in.

Problem: The scanner reports a Double Feed error when there is only one page in the scanner.

Try cleaning the double feed detection sensor. Dust on the sensor may prevent the sensor from working properly.



Error Light Troubleshooting Codes

Normal Operation

- **Steady blue:** indicates the scanner is ready to scan.
- **Slow flashing blue:** indicates the scanner is in low power mode.
- **Rapid flashing blue:** indicates the scanner is waking up from low power mode.

- **Steady red:** the scanner is busy or it is not connected to the computer.
- **Flashing red:** the scanner is reporting an error.

Error Codes

The status light indicates the current state of the scanner. If your scanner experiences hardware problems, the status light turns red and will flash a specific number of times, pause, and then repeat the same number of flashes. The number of flashes between pauses indicates the hardware error code. The LED display will also flash an “E” then the error code number that matches the status light’s blinking pattern.

Descriptions of the most common patterns are listed below. In all cases, you should turn off the scanner and check the scanner setup. Make sure the USB cable is plugged into the scanner and computer. Make sure the power cord is plugged into the scanner and into a wall outlet. Contact Visioneer Technical Support if you experience a different blinking pattern.

Error Code	Problem Description	Solution
0	Scanner is not connected to the computer (The LED does not flash “E” and the status light remains blue.)	A cable may be loose. Check that the scanner’s cables are correctly attached to the computer. If the scanner still does not connect, re-boot the computer.
4	Paper jam	Open the ADF cover and remove the jammed page. See Clearing Paper Jams on page 31.
5	Multiple paper feed	Multiple pages have fed through the scanner at one time. Open the ADF door and remove the pages from the scanner. Make sure the pages are not stuck or taped together before loading them in the ADF. If the problem persists, clean the scanner as described in Cleaning Inside the Automatic Document Feeder on page 32.
6	The scanner’s cover is open	The ADF door is not closed all the way. Open the scanner, make sure the paper guides are properly seated in the scanner and that the roller covers are fully closed, and then close the ADF again. Push down on the lid until it locks into place.
7, 8	The lamp in the scanner body or lid has malfunctioned	This usually occurs if the power was disconnected during a scan. Turn the scanner off, then back on again. If the problem persists, turn off the scanner, re-start the computer, then turn the scanner on. If the problem continues, and your scanner’s power is plugged into a surge protector or UPS battery backup, try plugging the scanner power directly into a wall outlet.
All Other Codes	An internal part in the scanner may have malfunctioned	Turn off the power to your scanner, re-boot your computer, then turn it back on. If the problem persists, contact Visioneer Technical Support.

UNINSTALLING YOUR SCANNER

Use the options in the Windows Control Panel to remove the scanner driver and modules, and any other software provided with the scanner.

Please leave the scanner’s USB cable plugged into the computer while uninstalling the scanner driver. Unplug the USB cable when directed to do so in the instructions below.

Open the list of installed programs in the Windows Control panel.

- Windows XP: Open Add/Remove Programs
- Windows Vista and later: Open Programs and Features

Uninstalling the scanner driver:

1. In the list of installed programs click on Visioneer® Patriot D40 driver.
2. Click the **Change/Remove** or **Uninstall** button.
3. Click **Yes** when asked to confirm that you want to remove the driver.

When the driver uninstallation is complete the progress window will automatically close.

4. Turn off the scanner and unplug the USB cable.
5. Reboot the computer if you are prompted to do so.

Follow these instructions to remove any of the other software you installed with your scanner. Depending on the software provided with your scanner, and which applications you installed during the scanner setup, the application list may include:

- OneTouch
- OneTouch OmniPage OCR module
- Nuance PaperPort
- Nuance OmniPage
- Nuance Power PDF

Uninstalling Visioneer Acuity™:

Visioneer Acuity is automatically installed when you install the scanner driver using the installation disc. You can also download the Visioneer Acuity module from the support pages for your scanner at www.visioneer.com. Visioneer Acuity is a utility with advanced image processing options to instantly improve the visual clarity of anything you scan.

1. In the list of installed programs select **Visioneer Acuity Assets**.
2. Click **Yes** when asked to confirm you want to remove the software.

Depending on the method of installation, and your scanner model, there may be multiple entries for Visioneer Acuity in the installed programs list. The additional entries in this list are the image processing libraries needed to support various scanner models. These additional items will be called "Visioneer Acuity Assets" followed by a version number. In the scenario described here, when you want to uninstall Visioneer Acuity make sure you select and uninstall Visioneer Acuity. If you uninstall one of the entries labeled as an "asset" you will still need to uninstall the main Visioneer Acuity utility.

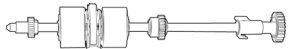


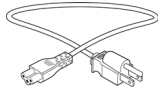
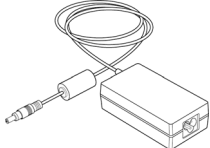
VISIONEER® PATRIOT D40 SPECIFICATIONS

Scanner Specifications	
Document Requirements	
Minimum Item Size	2 x 2.5 inches (51 x 64 mm)

Scanner Specifications	
Maximum Item Size	8.5 x 118 inches (216 x 2997 mm) up to 300 dpi 8.5 x 59 inches (216 x 1499 mm) at 400 dpi and higher
Capacity	80 pages of 20lb printer paper (75–80 g/m ²)
Paper Thickness	7–110 lbs. (27–413 g/m ²)
Plastic Card	Embossed cards up to 1.25 mm thick
General Specifications	
Scanning Speeds	40 pages per minute / 80 images per minute @ 200 dpi
Optical Resolutions	200, 300, and 600 dpi
Interpolated Resolutions	75, 100, 150, 400, 500, and 1200 dpi (these resolutions are available when Vioneer Acuity is installed)
Internal Bit Depth	48-bit color, 16-bit grayscale, 1-bit bitonal (black & white)
Output Bit Depth	24-bit color, 8-bit grayscale, 1-bit bitonal (black & white)
Scan Method	Duplex Automatic Document Feeder (ADF)
Image Sensor	CCD (Charge-Coupled Device)
Light Source	White LED lamp
Interface	Hi-Speed USB 2.0, compatible with USB 1.1
Certifications	FCC Class B, RoHS, ENERGY STAR
Operating Temperature	40° ~ 95° F (5° ~ 35° C without condensation)
Relative Humidity	10% ~ 90% (@35° C without condensation)
Scanner Dimensions (Trays Collapsed)	
Width	12.5 inches (316 mm)
Depth	7.5 inches (191 mm)
Height	6.6 inches (168 mm)
Weight	9.2 pounds (4.2 kg)
Scanner Dimensions (Trays Extended)	
Width	12.5 inches (316 mm)
Depth	26.8 inches (680 mm)
Height	9.5 inches (239 mm)
Weight	9.2 pounds (4.2 kg)
Power Information	
Power Supply	APD (DA-48M24) DC Jack, 3P, 100~240Vac, 24Vdc, 2A, 48W, Class 1, ENERGY STAR, RoHS
Scanner Rating	24Vdc, 2.0A
Power consumption	≤ 24 Watts (during operation) ≤ 8 Watts (ready) ≤ 2.5 Watts (power save after 15 minutes without scanning) ≤ 0.5 Watt (power off)

Scanner Specifications	
Cable Information	
AC Power Cord	US,3P,7A/125V,L=1800mm, 3C*18AWG, BLACK, LONGWELL (PH8BIEDJF0AA05B), RoHS EUR.(CEE),2P+G. BASE,16A/250V,L=1800mm,3Cx0.75mm2,BLACK, LONGWELL (PG8B9CIJG0A-05B),RoHS UK(BS/PSB),3P,3A/250V,L=1800mm,3C*0.75mm2,BLACK, LONGWELL (PG8B9X3JG0A-05B), RoHS
USB cable	1850 mm, 28AWG, with core, RoHS compliant
Software Information	
Supported Operating Systems	Microsoft Windows –32-bit XP (Service Pack 3) –32-bit or 64-bit Vista (Service Pack 2) –32-bit or 64-bit 7 (Service Pack 1) –32-bit or 64-bit 8 / 8.1 –32-bit or 64-bit 10
Scanner Drivers	TWAIN, WIA, ISIS
Bundled Software	Visioneer OneTouch® Visioneer Acuity Module Nuance PaperPort® Nuance OmniPage® Nuance Power PDF

VISIONEER® PATRIOT D40 PARTS LIST

Part Name	Part Number	
Feed Roller	65-2457-000	
Separation Roller	65-2459-000	
USB Cable	35-0118-000	
AC Power Cord	35-0103-000 (US) 35-0104-000 (EUR) 35-0105-000 (UK)	
Power Supply	37-0098-000	

APPENDIX A: COPY REGULATIONS

UNITED STATES

Congress, by statute, has forbidden the reproduction of the following subjects under certain circumstances. Penalties of fine or imprisonment may be imposed on those guilty of making such reproductions.

- Obligations or Securities of the United States Government, such as:

Certificates of Indebtedness	National Bank Currency	Coupons from Bonds
Federal Reserve Bank Notes	Silver Certificates	Gold Certificates
United States Bonds	Treasury Notes	Federal Reserve Notes
Fractional Notes	Certificates of Deposit	Paper Money

Bonds and Obligations of certain agencies of the government, such as FHA, etc.

Bonds. (U.S. Savings Bonds may be photographed only for publicity purposes in connection with the campaign for the sale of such bonds.)

Internal Revenue Stamps. (If it is necessary to reproduce a legal document on which there is a canceled revenue stamp, this may be done provided the reproduction of the document is performed for lawful purposes.)

Postage Stamps, canceled or uncanceled. (For philatelic purposes, Postage Stamps may be photographed, provided the reproduction is in black and white and is less than 75% or more than 150% of the linear dimensions of the original.)

Postal Money Orders.

Bills, Checks, or Drafts of money drawn by or upon authorized officers of the United States.

Stamps and other representatives of value, of whatever denomination, which have been or may be issued under any Act of Congress.

- Adjusted Compensation Certificates for Veterans of the World Wars.
- Obligations or Securities of any Foreign Government, Bank, or Corporation.
- Copyrighted material, unless permission of the copyright owner has been obtained or the reproduction falls within the "fair use" or library reproduction rights provisions of the copyright law. Further information of these provisions may be obtained from the Copyright Office, Library of Congress, Washington, D.C. 20559. Ask for Circular R21.
- Certificates of Citizenship or Naturalization. (Foreign Naturalization Certificates may be photographed.)

- Passports. (Foreign Passports may be photographed.)
- Immigration Papers.
- Draft Registration Cards.
- Selective Service Induction Papers that bear any of the following Registrant's information:

Earnings or Income	Dependency Status	Court Record
Previous military service	Physical or mental condition	

Exception: U. S. Army and Navy discharge certificates may be photographed.

- Badges, Identification Cards, Passes, or Insignia carried by military personnel, or by members of the various Federal Departments, such as FBI, Treasury, etc. (unless photograph is ordered by the head of such department or bureau.)
- Reproducing the following is also prohibited in certain states: Automobile Licenses — Drivers' Licenses — Automobile Certificates of Title.

The above list is not all inclusive, and no liability is assumed for its completeness or accuracy. In case of doubt, consult your attorney.

CANADA

Parliament, by statute, has forbidden the reproduction of the following subjects under certain circumstances. Penalties of fines or imprisonment may be imposed on those guilty of making such copies.

- Current bank notes or current paper money.
- Obligations or securities of a government or bank.
- Exchequer bill paper or revenue paper.
- The public seal of Canada or of a province, or the seal of a public body or authority in Canada, or of a court of law.
- Proclamations, orders, regulations or appointments, or notices thereof (with intent to falsely cause same to purport to have been printed by the Queen's Printer for Canada, or the equivalent printer for a province).
- Marks, brands, seals, wrappers or designs used by or on behalf of the Government of Canada or of a province, the government of a state other than Canada or a department, board, Commission or agency established by the Government of Canada or of a province or of a government of a state other than Canada.
- Impressed or adhesive stamps used for the purpose of revenue by the Government of Canada or of a province or by the government of a state other than Canada.
- Documents, registers or records kept by public officials charged with the duty of making or issuing certified copies thereof, where the reproduction falsely purports to be a certified copy thereof.
- Copyrighted material or trademarks of any manner or kind without the consent of the copyright or trademark owner.

The above list is provided for your convenience and assistance, but it is not all inclusive, and no liability is assumed for its completeness or accuracy. In case of doubt, consult your solicitor.

OTHER COUNTRIES

Copying certain documents may be illegal in your country. Penalties of fine or imprisonment may be imposed on those found guilty of making such reproductions.

- Currency notes
- Bank notes and cheques
- Bank and government bonds and securities
- Passports and identification cards
- Copyright material or trademarks without the consent of the owner
- Postage stamps and other negotiable instruments

Note: this list is not inclusive and no liability is assumed for either its completeness or accuracy. In case of doubt, contact your legal counsel.



INTELLIGENT SCANNING SOLUTIONS