

spacedec®

POS desk mount | Height adjustable | Multi SD-POS-HA



Suits 75x75mm & 100x100mm***



Supports display rotation



Suits displays up to 20kg (44lbs)



125mm(4.92") of height adjustment



Extensive user adjustment



Touch screen / POS support



Optional dual screen support**



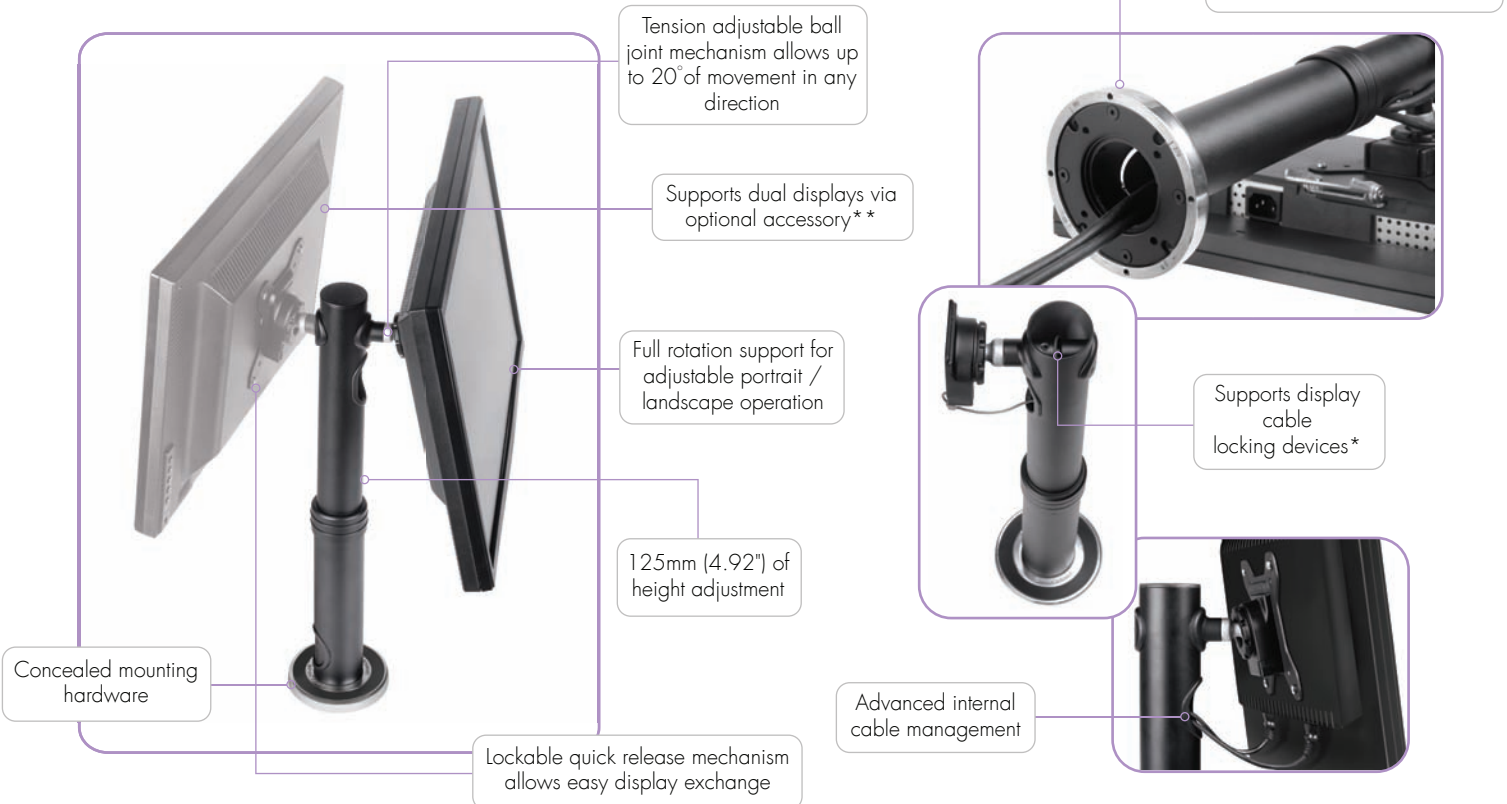
Enhanced security support

This mounting solution is designed for POS applications, education and public space installations. It features a durable construction with a quality finish and enhanced security. While offering a high level of ergonomic and operational flexibility it can be configured to suit a variety of installation environments. Designed for a flat surface mounting, SD-POS-HA can be attached from above or below with concealed screws. Cabling is managed internally with the option to pass cables out at the base or through the desk. In addition to offering vertical and lateral rotation adjustment, the product allows for screen rotation and universal tilt/sway adjustment. A lockable quick-release mechanism provides for easy display maintenance while adjustable tension settings enable touch screen operation. An optional accessory kit provides for a dual screen back-to-back configuration to suit high density installations.



Product key features:

- ◆ Toughened construction with durable powder coat finish and polished appointments
- ◆ Quick Release head for easy display installation & maintenance with security screw to prevent unauthorized removal
- ◆ Designed for screens 12" or larger up to 20kg
- ◆ Enhanced security for public environment/ POS installation
 - ◆ Concealed pole mounting hardware and cable style display locking support*
 - ◆ Integrated cable management with multiple entry/exit points (monitor level, desk level and desk pass-through)
- ◆ Enhanced ergonomics with high user flexibility
 - ◆ Adjustable height from 330mm to 455mm (13"-17.91") as measured from the centre of the display
 - ◆ Lateral rotation support with installation pre-sets for fixed, 90°, 180°, 270° and 355° ranges of movement
 - ◆ Adjustable display orientation for operation in portrait &/or landscape modes (full 360° movement range)
 - ◆ Up to 20° of universal tilt/pan adjustment with tension control for touch-screen support
- ◆ Comes supplied with installation manual and all mounting hardware



* Locking cable not included. Attachment requires display support.

** See reverse for code details

*** Also supports 200x100 VESA via optional adaptor



Atdec Global www.atdec.com.au
Atdec North America www.atdec.com

Product information

Product Code	Load capacity	Material	Style
SD-POS-HA	20kg (44lbs)	Aluminum/Steel	Matt black powder coat body with polished desk trim

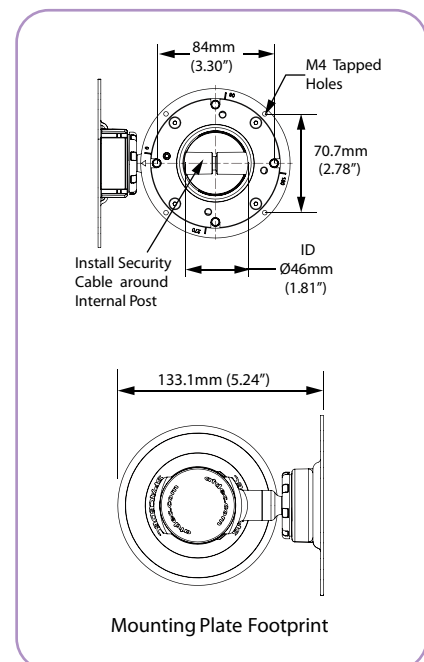
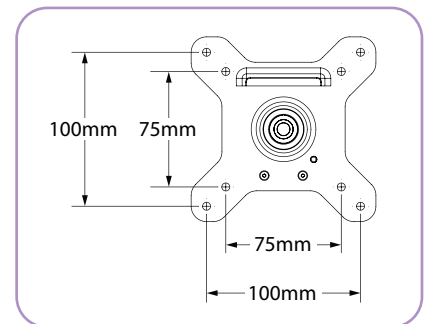
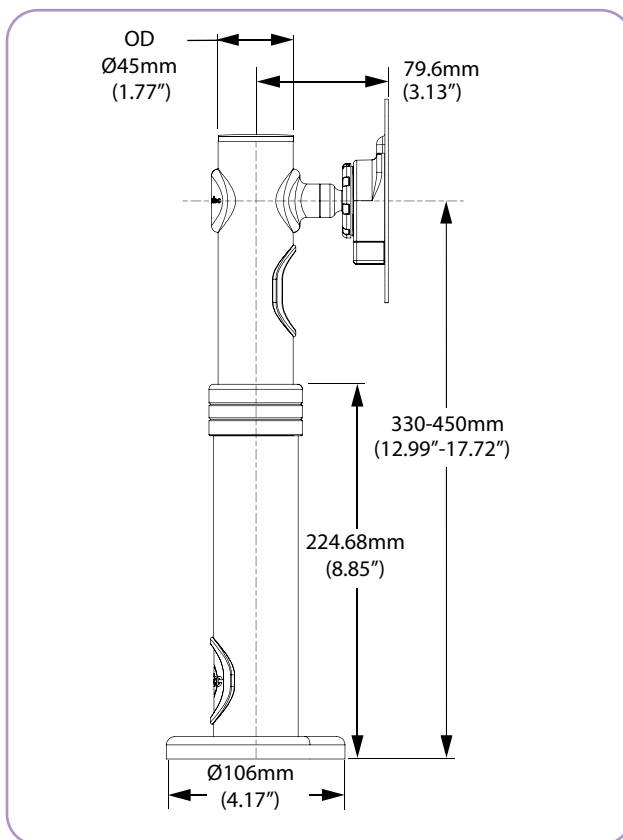
Package information, single unit

Size (L x W x H)	Ship weight	UPC code	Contents
42cm x 20cm x 12cm (16.5" x 7.75" x 4.75")	2.08kg (4.6lbs)	881493005907	Pole assembly, display mounting plate installation manual, desk mounting screws, display mounting screws, security screw and tension adjustment tool

Package information, master pack

Size (L x W x H)	Ship weight	UPC	Units per master pack
100cm x 44cm x 26cm (40" x 18" x 10.75")	21.3kg (46.86lbs)	881493005914	10

Technical drawings



Related Products & Accessories:

AC-AP-2010	200x100mm VESA adaptor
SD-POS-HA-B2B	Dual display accessory
SD-POS-VBM	Fixed height POS desk mount

Atdec mounts are designed, developed and tested in Australia. We manufacture an extensive range of display and projector mountings for a variety of user types and situations. While all efforts have been made to ensure the information in this brochure was correct as of the date of printing, we reserve the right to change specifications without notice. Please refer to the web site for our full range along with the latest details on specifications, compatibility and dealer location. Atdec and Telehook are registered trademarks with all rights reserved. Copyright Aug 2011 v2.0



Atdec Global www.atdec.com.au
Atdec North America www.atdec.com