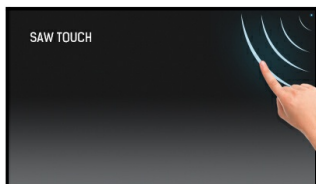




17" monitor with Surface Acoustic Wave touch technology

The ProLite T1731SAW-B5 uses highly accurate Surface Acoustic Wave Touch Technology (SAW) with a pure-glass scratch resistive front, offering superior image clarity and screen durability. The screen can be touched with a soft stylus, finger or gloved hand making it suitable for a number of applications, and the solid but flexible stand ensures resilience in the most demanding environments. Menu buttons are located on the side of the screen which can be locked to prevent tampering, and include a handy function to deactivate the touchscreen for cleaning. The iiyama ProLite T1731SAW-B5 touchscreen is ideal for a wide range of applications including Point of Sale, Kiosks, Hospitality and Entertainment, Control rooms, Education, Training and many others.



Touch technology - Surface Acoustic Wave

Surface acoustic wave uses ultrasonic waves that pass over the panel. When the panel is touched, a portion of the wave is absorbed and a touch event is registered. Because the screen is covered with a glass layer this technology offers great picture performance (high contrast and colour accuracy). It is also scratch-resistant technology and therefore ideal for use in Public Places or Schools. Even if the screen is scratched, the touch function remains unaffected. Surface Acoustic Touch screens are activated with finger or a soft stylus touch.



ip54

The IP Code classifies how resistant a device is to foreign objects and moisture. IP54 means that the monitor will operate in dusty conditions, and will resist splashing water.

01 DISPLAY CHARACTERISTICS

Diagonal	17", 43cm
Panel	TN LED
Native resolution	1280 x 1024
Aspect ratio	5:4
Brightness	250 cd/m ² typical
Brightness	230 cd/m ² with touch
Static contrast	1000:1 with touch
Light transmittance	92%
Response time	5ms
Viewing zone	horizontal/vertical: 170°/160°, right/left: 85°/85°, up/down: 80°/80°
Colour support	16.7mln 8bit (6bit + Hi-FRC)
Horizontal Sync	31 - 80KHz
Vertical Sync	50 - 75Hz
Viewable area W x H	338 x 270mm, 13.3 x 10.6"
Pixel pitch	0.264mm
Bezel colour and finish	matte, black

02 TOUCH

Touch technology	SAW
Touch points	1
Touch method	finger, stylus, glove
Touch interface	USB
Supported operating systems	All iiyama monitors are Plug & Play and compatible with Windows and Linux. For details regarding the supported OS for the touch models, please refer to the driver instruction file available in the downloads section.

03 INTERFACES / CONNECTORS / CONTROLS

Analog signal input	VGA x1
Digital signal input	HDMI x1 DisplayPort x1
Audio output	Speakers 2 x 1W
HDCP	yes

04 FEATURES

Impact testing	IP54 (front)
OSD key lock	yes

05 GENERAL

OSD languages	EN, DE, FR, ES, IT, CN, JP
Control buttons	Menu, Scroll up/ Brightness, Scroll down/ Mute, Select, Power
User controls	contrast, brightness, auto adjust, H.position, V.position, H.size, fine, OSD H.position, OSD V.position, OSD timeout, reset, input select, OSD language, colour temperature, volume, mute
Convenience	Kensington-lock™ prepared
Plug&Play	DDC2B

06 MECHANICAL

Tilt angle	90° up; 5° down
VESA mounting	100 x 100mm
Cable management system	yes

07 ACCESSORIES INCLUDED

Cables	power, USB, HDMI, Audio, DP
Guides	quick start guide, safety guide
Other	Touch Panel Driver Disk (CD-ROM)
Cable cover	yes

08 POWER MANAGEMENT

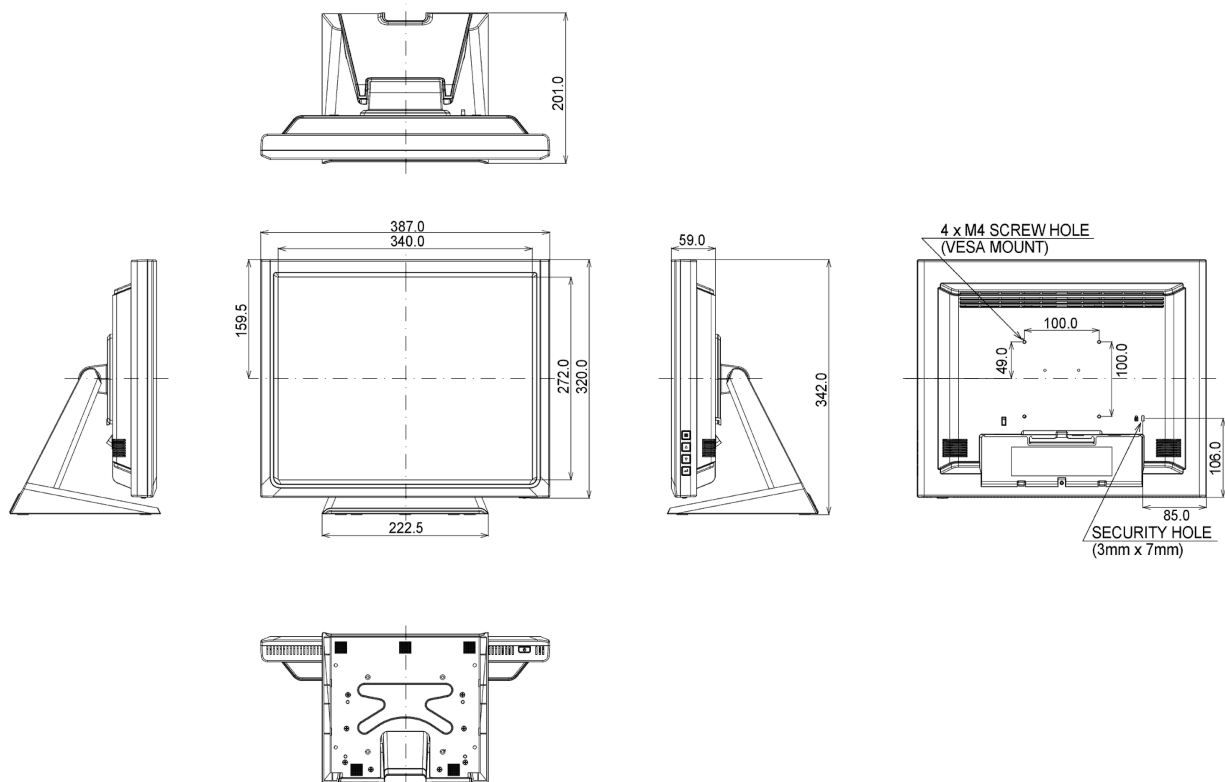
Power supply unit	internal
Power supply	AC 100 - 240V, 50/60Hz
Power usage	20W typical, 3W stand by

09 SUSTAINABILITY

Regulations	CB, CE, TÜV-Bauart, VCCI, GOST
-------------	--------------------------------

10 DIMENSIONS / WEIGHT

Product dimensions W x H x D	387 x 342 x 201mm
Weight (without box)	5.8kg



All trademarks and registered trademarks acknowledged. E & O E. Specification subject to change without notice. All LCD's comply with ISO-9241-307:2008 in connection with pixel defects.

© IYAMA CORPORATION. ALL RIGHTS RESERVED