



Elite™ Rack Manager

Extensive cable management on a footprint that fits on a 24-inch floor tile.

Holds up to 1000 pounds.



Customer Support Information

Order toll-free in the U.S.: Call 877-877-BBOX (outside U.S. call 724-746-5500)
FREE technical support 24 hours a day, 7 days a week: Call 724-746-5500 or fax 724-746-0746
Mailing address: Black Box Corporation, 1000 Park Drive, Lawrence, PA 15055-1018
Web site: www.blackbox.com • E-mail: info@blackbox.com

Elite Rack Manager

1. Specifications

Construction: 12-gauge cold-rolled steel

Finish: Black powder coat

Number of Rack Units: 45U

Rails: 12-24

Size: 84"H x 24"W x 21"D (213 x 61 x 53 cm)

Weight Capacity: 1000 lb. (455 kg)

2. Overview

2.1 Description

The Elite Rack Manager is an 84" high cable management rack that's ideal for managing high-density network equipment.

2.2 What's Included

Your package should include the following items:

- (62) 12-24 x 1/2" Phillips panhead screws
- (2) upright channels
- (2) cross braces with waterfall edge
- (2) center waterfall brackets, adjustable
- (8) cable rings
- (2) floor mounting brackets
- (16) 3/8"-16 steel hex nuts
- (16) 3/8"-16 x 1" steel hex head bolts
- (32) 3/8" steel flat washers
- (16) 3/8" steel split lock washers
- This user's manual

3. Assembly Instructions

3.1 Tools You Will Need

- (2) 9/16" sockets or wrenches
- #2 Phillips screwdriver
- Level or carpenter's square

3.2 Step-by-Step Assembly Instructions

Step 1: Installing Front Waterfall Crossbrace and Floor Bracket

- A. Lay the (2) upright channels on edge, with the open sides of the channel facing each other.
- B. Align the holes in (1) cross brace with waterfall edge behind the top holes in the upright. Install (4) 3/8" hex head bolts, (8) 3/8" flat washers, (4) 3/8" lock washers, and (4) 3/8" hex nuts. Finger tighten. (See Figure 3-3.)
- C. Align the holes in the floor mounting bracket in front of the bottom holes in the upright channels. Install (4) 3/8" hex head bolts, (8) 3/8" flat washers, (4) 3/8" lock washers, and (4) 3/8" hex nuts. Finger tighten. (See Figure 3-3.)

Step 2: Installing Rear Cross Brace and Floor Bracket

- A. Flip the rack over.
- B. Align the holes in the floor mounting bracket in front of the bottom holes in the upright channels. Install (4) 3/8" hex head bolts, (8) 3/8" flat washers, (4) 3/8" lock washers, and (4) 3/8" hex nuts on each side. Finger tighten.
- C. Install the (2) center waterfall brackets to the cross braces with (1) panhead screw per bracket through the slots in the cross brace.

NOTE: You must install the center waterfall brackets before installing the rear cross braces onto the upright channels.

- D. Align the holes in the second (1) cross brace with the waterfall edge behind the top holes in the uprights. Install (4) 3/8" hex head bolts, (8) 3/8" flat washers, (4) 3/8" lock washers, and (4) 3/8" hex nuts. Finger tighten.
- E. Align the (2) adjustable waterfall brackets with the slots in the cross brace. Using (2) panhead screws, anchor the adjustable waterfalls in place.

Step 3: Final Tightening

Stand the rack upright. Square the unit using a level or carpenter square. Tighten all bolts using 9/16" sockets and/or wrenches.

Step 4: Secure the Rack to the Floor

CAUTION: Before installing equipment in the rack, bolt it to the floor, or to an equally stabilizing and secure surface before installing any equipment.

Step 5: Installing Cable Rings

Align the pins on the rear of the (8) cable rings, in any of the 16 mounting locations per upright channel and at any 45-degree increment of rotation using (1) 12-24 x 1/2" Phillips panhead type 23 screw in the center.

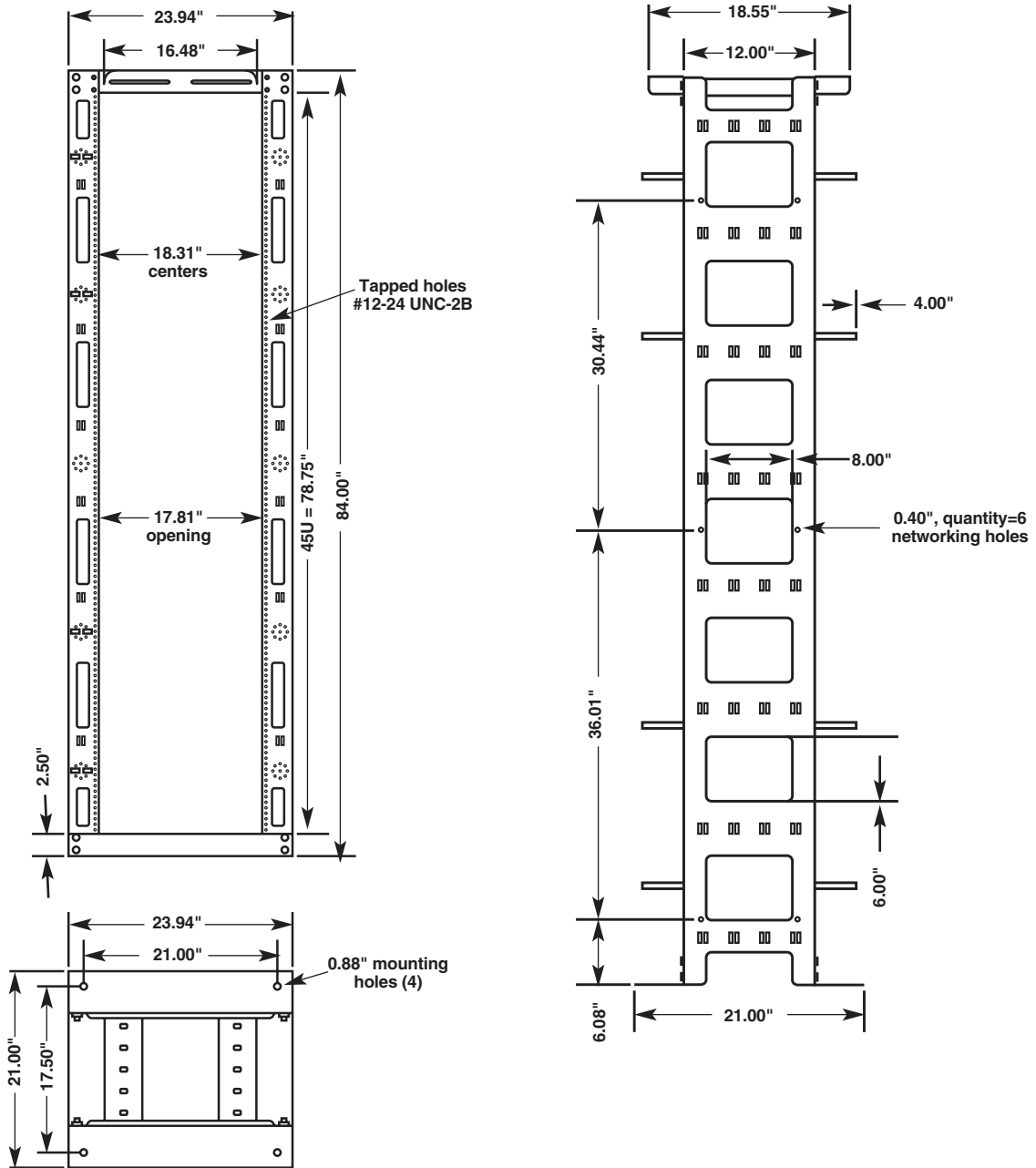
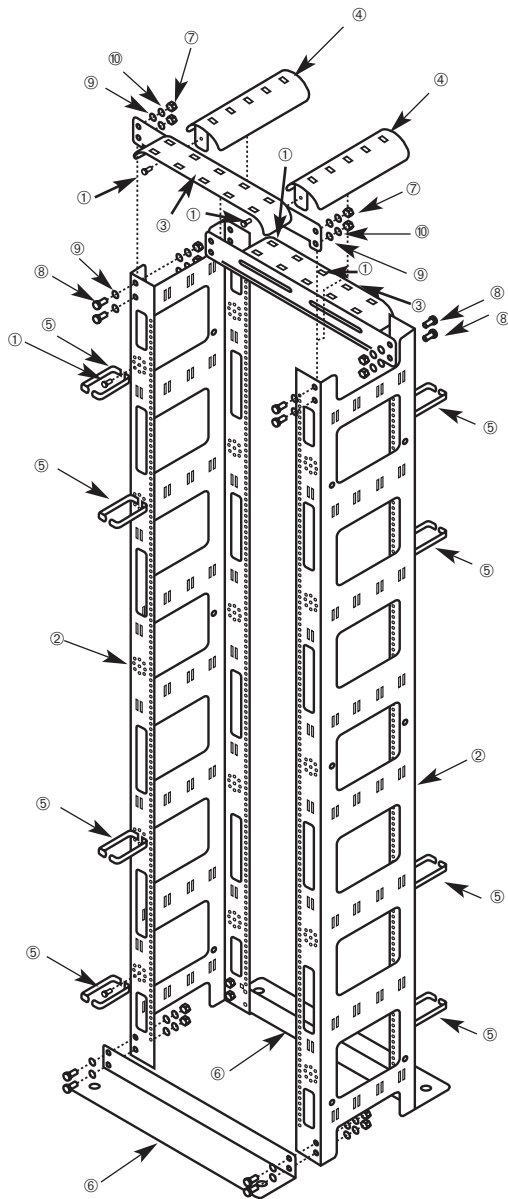


Figure 3-1 (left). Upright channels on edge.; Figure 3-2 (right). Upright channels, side view.



KEY

- 1. (12) 12-24 x 1/2" Phillips panhead screws
- 2. (2) upright channels
- 3. (2) cross braces with waterfall edge
- 4. (2) center waterfall braces, adjustable
- 5. (8) cable rings
- 6. (2) floor mounting brackets
- 7. (16) 3/8"-16 x 1" steel hex nuts
- 8. (16) 3/8"-16 x 1" steel hex head bolts
- 9. (16) 3/8"-16 x 1" steel flat washers
- 10. (16) 3/8"-16 x 1" steel split lock washers

Figure 3-3. The Rack Manager Elite.

Black Box Tech Support: FREE! Live. 24/7.

Tech support the
way it should be.



Great tech support is just 30 seconds away at 724-746-5500 or blackbox.com.



About Black Box

Black Box provides an extensive range of networking and infrastructure products. You'll find everything from cabinets and racks and power and surge protection products to media converters and Ethernet switches all supported by free, live 24/7 Tech support available in 30 seconds or less.

© Copyright 2012. Black Box Corporation. All rights reserved. Black Box® and the Double Diamond logo are registered trademarks, and Elite is a trademark, of BB Technologies, Inc. Any third-party trademarks appearing in this manual are acknowledged to be the property of their respective owners.