



24" dual touch screen, based on Optical touch technology

The ProLite T2453MTS-B1 is based on optical touch technology (2 touch points) with a pure-glass scratch resistive front, offering superior image clarity and screen durability. The screen can be touched with a soft stylus, finger or gloved hand making it suitable for several applications. A solid and steady base supports the touchscreen with an adjustable stand. Multiple inputs (VGA, HDMI, DVI) are available for flexible connectivity along with USB for the touch interface. Also available in 22": [ProLite T2253MTS-B1](#)



Touch technology - Optical

This technology uses cameras. A touch event is registered with great accuracy when light is blocked by a finger or stylus. It's the only touch technology that does not rely on an overlay or substrate to register a touch, so it's impossible to physically "wear out" the touchscreen. In fact you don't really have to physically touch the screen.



OverDrive ON / OFF

When very fast graphics are displayed your monitor can sometimes get blurry. Turning on the OverDrive feature will eliminate that.

01 DISPLAY CHARACTERISTICS

Diagonal	23.6", 59.8cm
Panel	VA LED-backlit
Native resolution	1920 x 1080 (2.1 megapixel Full HD)
Aspect ratio	16:9
Brightness	250 cd/m ² typical
Brightness	220 cd/m ² with touch
Static contrast	3000:1 typical
Light transmittance	88%
Advanced contrast	12M:1
Response time	4ms
Viewing zone	horizontal/vertical: 178°/ 178°, right/left: 89°/89°, up/down: 89°/89°
Colour support	16.7mln 8bit (6bit + Hi-FRC)
Horizontal Sync	30 - 80KHz
Vertical Sync	55 - 75Hz
Viewable area W x H	521.3 x 293.2mm, 20.5 x 11.5"
Pixel pitch	0.272mm
Bezel colour and finish	black, matte

02 TOUCH

Touch technology	optical
Touch points	2 (HID, only with supported OS)
Touch method	finger, stylus, glove
Touch interface	USB
Supported operating systems	All iiyama monitors are Plug & Play and compatible with Windows and Linux. For details regarding the supported OS for the touch models, please refer to the driver instruction file available in the downloads section.

03 INTERFACES / CONNECTORS / CONTROLS

Analog signal input	VGA x1
Digital signal input	DVI x1 HDMI x1
Audio output	Speakers 2 x 2W
HDCP	yes
USB HUB	x2 (2.0)

04 FEATURES

OSD key lock	yes
--------------	-----

05 GENERAL

OSD languages	EN, DE, FR, RU, JP, NL, PL, IT, ES, CZ
Control buttons	Power, Menu/ Enter, Scroll up/ Audio, Scroll down/ ECO, Input/ Exit

User controls	auto adjust, picture adjust (brightness, contrast, ECO, Blue Light Reducer, ACR, OD, gamma, X-res technology), geometry (H. position, V. position, pixel clock, phase), colour settings (colour temperature, user preset, hue, saturation, i-Style colour), OSD (OSD H. position, OSD V. position, OSD time, after AC cut), language, recall, miscellaneous (sharp and soft, video mode adjust, opening logo, DDC/CI, display information), input source, audio settings (volume, mute audio, audio input)
Convenience	Kensington-lock™ prepared
Blue light reducer	yes
Plug&Play	DDC2B

06 MECHANICAL

Tilt angle	73° up; 3° down
VESA mounting	100 x 100mm

07 ACCESSORIES INCLUDED

Cables	power (1.8m), USB (1.8m), HDMI (1.8m)
Guides	quick start guide, safety guide

08 POWER MANAGEMENT

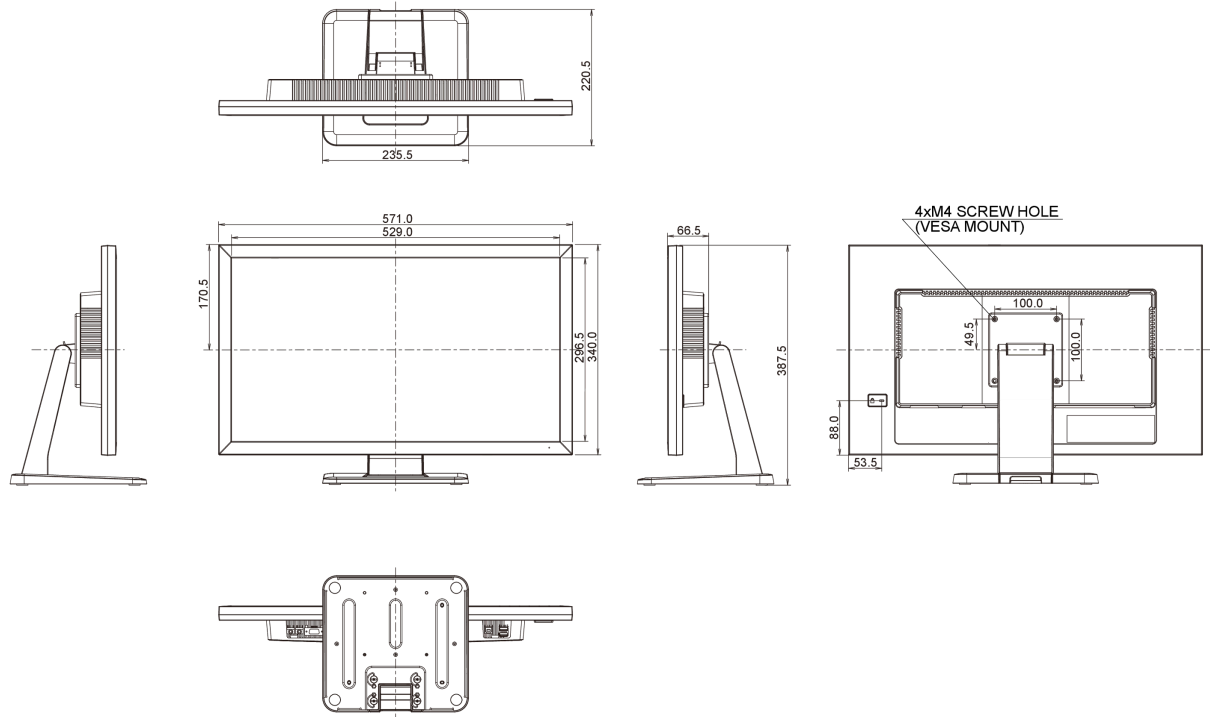
Power supply unit	internal
Power supply	AC 100 - 240V, 50/60Hz
Power usage	18W typical, 0.5W stand by

09 SUSTAINABILITY

Regulations	CE, TÜV-Bauart, CB, EAC
Energy efficiency class	A

10 DIMENSIONS / WEIGHT

Product dimensions W x H x D	517 x 387.5 x 220.5mm
Weight (without box)	6kg



All trademarks and registered trademarks acknowledged. E & O E. Specification subject to change without notice. All LCD's comply with ISO-9241-307:2008 in connection with pixel defects.

© IIYAMA CORPORATION. ALL RIGHTS RESERVED