

LG *Cloud* Monitor

N195WU and N225WU LG Network Monitors **U Series**



More efficiency & Easier

Ideal Multi-computing
Monitor for your business

Easy and Efficient Multi-computing with Lower Cost.

LG Network Monitor U Series embedded multi computing monitor with Windows Multipoint Server 2011. With the U Series, you can connect multiple network monitors to a single host PC using a USB cable. Monitors can serve as an independent PC for users to perform various tasks. Without any installation process, monitors can easily be connected to the host via USB, making multi-computing easier than ever. In addition, the LG Network Monitor U Series minimizes initial set up cost and power consumption as well as reduces the maintenance time and cost associated with multiple PC's. The U Series platform is optimized for various computing environments such as SMB, public area, etc. where word processing, video playing, internet, e-mail, and simple applications are used. Especially for education institutions, U series empowers educators, engages students, and makes learning personal.



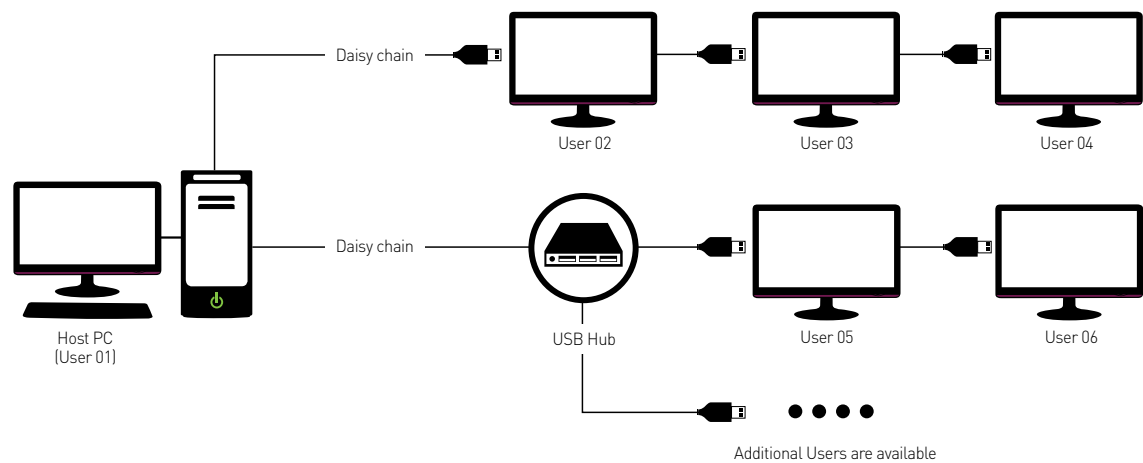
- Lower TCA (Total Cost of Acquisition) and TCO (Total Cost of Operation) by using single host PC.
- Save expenses for separate PCs or high-end servers



- Reduces power consumption



- Less management efforts on upgrading software



You can use multi computing stations with only 1 Host PC.

Highly Recommended!

Easy Utilization

Looking for a way to connect more users in smaller spaces with less cost? The LG Network Monitor U Series is the best choice to meet both criteria for those who run small businesses or educational facilities. You can create a multi computing environment through USB connection on a single host PC. In the classroom, for example, simple computing tasks such as internet surfing, media playing, and word processing are available through U Series, which offers remarkable performance capacity. USB connection is all you need for installation of U series, and we offer powerful performance for your office and school.

LG Network Monitor U Series (USB Connection)

Embedded multi computing monitor with Windows Multipoint Server 2011.

- Independent computing for multi users with a single host PC, just using USB Connection



It's all Easy!

Easy Setup & Easy Use

Plug & Play Support

- Automatic or manual Login at each station
- *Recommend HOST PC Spec (quad-core or higher)

USB Connection

- Connect up to 3 users on 1 direct USB port throughout Daisy Chain
- Additional USB ports can be supported by USB Hub
- Support private USB storage and HDD at each station

Expanded distance limit

- Standard 5m, Max 15m (Only through Daisy Chain)

LED Network Monitor



No separate hardware needed

- Windows Multipoint Sever 2011 OS standard protocol

Virtual IP address per session

Sharing PC function support



• Education



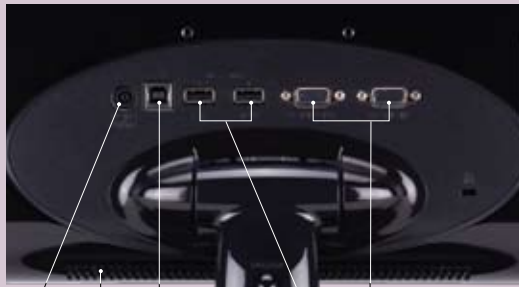
• Conference Room



• SMB

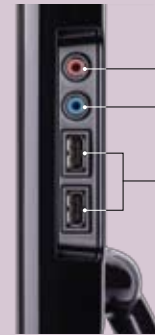
U Series

Back



- Power Cable
- Built-in Speaker
- USB In port
- VGA port (D-SUB In/Out)
- USB Port x2 (Mouse/Key board)

Side



- Mic In
- Headphone Out
- USB Port x2 (USB Connection)

LG Network Monitor U series (USB Direct Series)

SPECIFICATIONS

		N195WU	N225WU
Panel			
Size(Inch)		18.5W	21.5W
Panel Type		TN	TN
Aspect Ratio		16:9	16:9
Resolution		1366 x 768	1920 x 1080
Color Depth(Number of Colors)		16.7M	16.7M
Brightness(Typ.)		250 cd/m ²	250 cd/m ²
Contrast Ratio(Typ.)		5M:1	5M:1
Response Time(Typ.)		5ms	5ms
Viewing Angle(H/v)		170°/160°	170°/160°
LAMP Type		LED Backlight	LED Backlight
Mechanic			
Cabinet color		Glossy Purple Bezel, Glossy Black Back cover	Glossy Purple Bezel, Matte Black Back cover
Wall Mount (mm)		VESA (75mm x 75mm)	VESA (75mm x 75mm)
Stand type		Detachable, 2 Way Stand	Detachable, 2 Way Stand
Jack Input/Output			
Video Signal Input		D-sub in , USB up	D-sub in , USB up
Video Signal output		D-sub out(Dual Monitor function not supported)	D-sub out(Dual Monitor function not supported)
Audio Input	Mic In	O	O
Audio Output	Headphone Out	O	O
Power			
Input/Output		Adapter/100~240V	Adapter/100~240V
Special Feature			
Operating System		Windows Multipoint Server 2011 only	Windows Multipoint Server 2011 only
USB Connection		1 Upstream to connect Host PC & 4 Downstream	1 Upstream to connect Host PC & 4 Downstream
Distance Limitation		Standard 5m, Max 15m (Only through Daisy Chain)	Standard 5m, Max 15m (Only through Daisy Chain)
USB Compatibility		USB stick, Web cam, Printer (USB Device limitations may apply)	USB stick, Web cam, Printer (USB Device limitations may apply)
Connectivity			
		VGA In/Out , USB up, Headphone Out(side), Microphone In(side), USB 2.0 X 4 (2 x Rear, 2 x Side)	VGA In/Out , USB up, Headphone Out(side), Microphone In(side), USB 2.0 X 4 (2 x Rear, 2 x Side)
Standard			
Standard		UL(cUL), FCC-B, CE, EPA, VESA mount, WMS2011	UL(cUL), FCC-B, CE, EPA, VESA mount, WMS2011
UPC		7 19192 18906 5	7 19192 18991 1
Warranty		3 Years (Parts & Labor)	3 Years (Parts & Labor)



* The specifications and features are subject to change without prior notice.