

Setup Guide

Read this manual before attempting to operate the printer.
Keep this manual for future reference.

Important • Instructions in this Setup Guide show the TM-305 printer. Note that your printer may look different from these illustrations in some cases. However, the basic operations are the same.

Before Setting Up the Printer

In order to ensure that this product is used safely, be sure to read the precautions.
-> [Quick Guide \(separate manual\)](#)

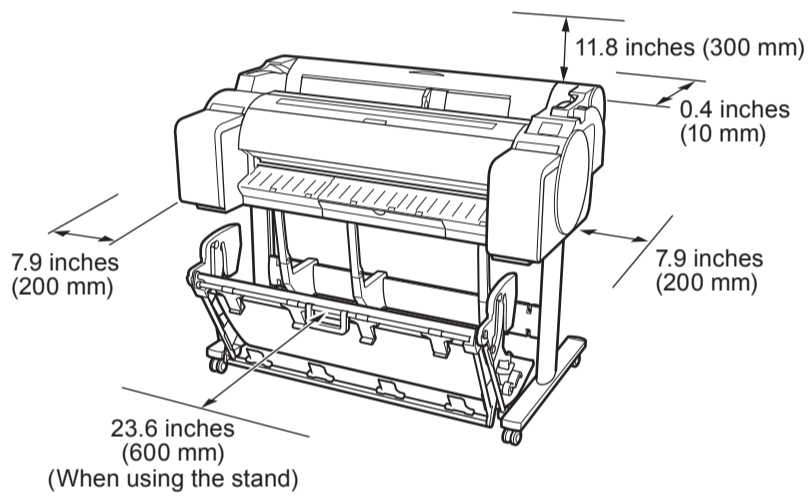
Installation Space

It is recommended that you reserve space of the following dimensions to allow you to work around the printer. The images below show the space required to install each printer.

Important • The printer stand may not be included with your model.
• The space required in front of the printer differs on how the basket supplied with the printer stand is used. This shows the installation space when used in the position in the illustration.

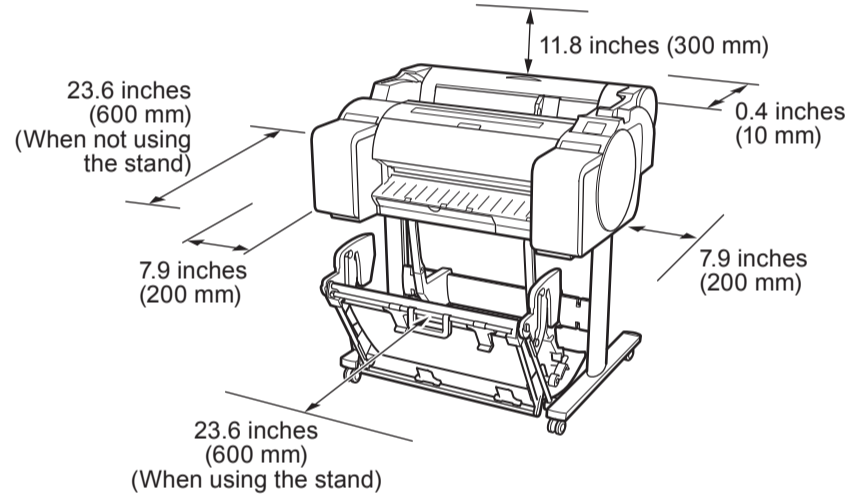
TM-305/TM-300

Installation space (W x D x H)
• When using SD-32
66.5 x 67.0 x 53.6 inches (1689 x 1700 x 1360 mm)



TM-205/TM-200

Installation space (W x D x H)
• When not using the stand
54.5 x 53.5 x 29.1 inches (1382 x 1358 x 739 mm)
• When using SD-23
54.5 x 67.0 x 53.6 inches (1382 x 1700 x 1360 mm)



Overview of Setup

Set up the printer using the following procedure.

- * Assembling the Stand (P.3) *Refer to the separate manual
- Installing the Printer (P.3)
- Turning On the Printer (P.5)
- Installing the Ink Tanks (P.6)
- Installing the Print Head (P.7)
- Loading Paper (P.9)
- Performing Print Head Adjustment and Selecting the Connection Method (on p.11 to p.13)
 - Connecting to the Printer
- Check this also after setup is complete.
- Printing From a Smartphone or Tablet (P.13)
- Storing Accessories (P.13)
- Loading Roll Paper After Setup (P.13)
- Displaying the Online Manual (P.14)

If an error message appears during setup or other problems occur, refer to "Responding to Messages" on p.14.

• Windows is a trademark or registered trademark of Microsoft Corporation in the U.S. and/or other countries.

RMC (Regulatory Model Code): K10489
RMC (Regulatory Model Code): K10490
RMC (Regulatory Model Code): K10487
RMC (Regulatory Model Code): K10488



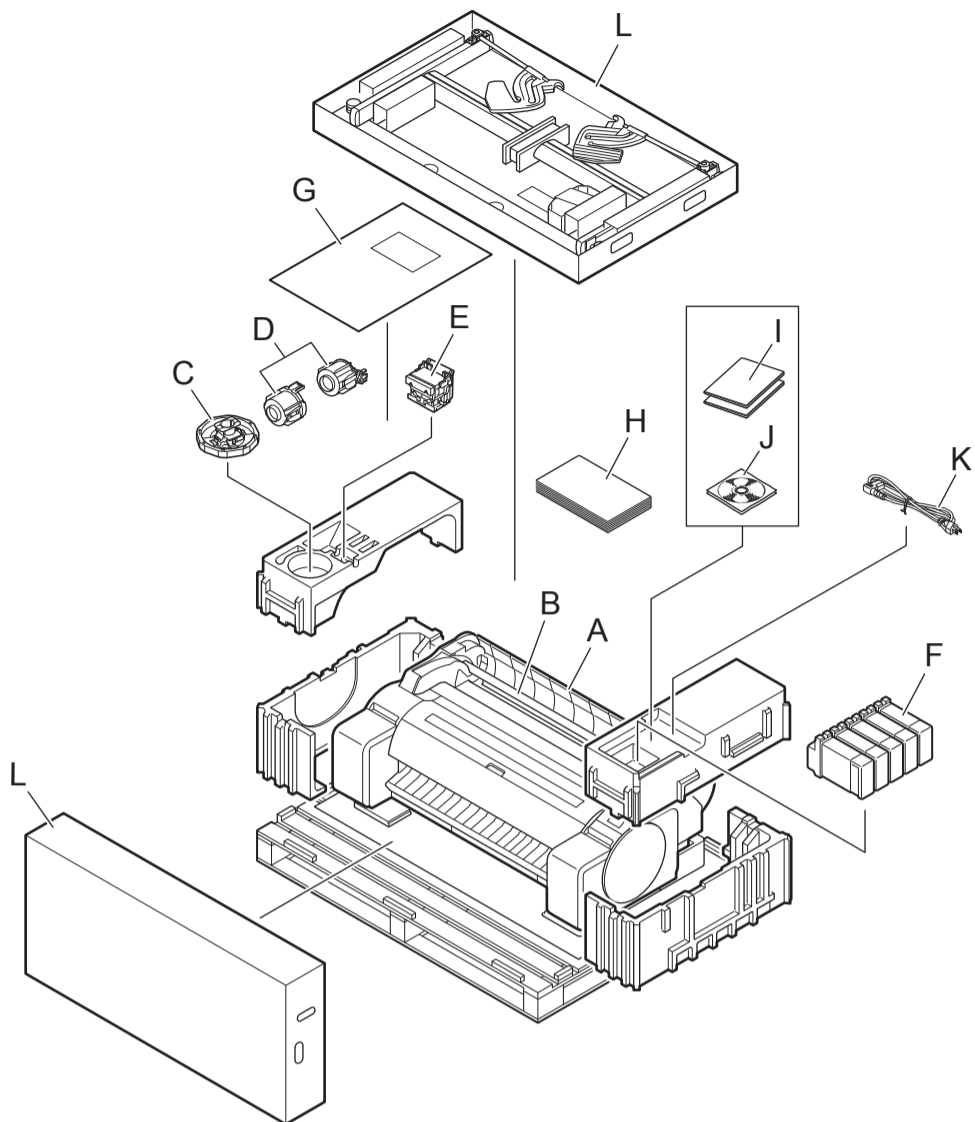
Package Contents

- A. Printer
- B. Roll holder: Already mounted on printer
- C. Holder stopper (*1)
- D. 3-inch paper core attachment (R, L)
- E. Print head
- F. Starter ink tanks (for first-time installation)
(C, M, Y, MBK, BK)
- G. Paper for adjustment
- H. Setup Guide (this manual)
- I. Set of printer documentation
- J. Set of CD-ROMs
- K. Power cord
- L. Stand set (*2)

*1 The holder stopper is used when loading roll paper.
For details, refer to the Online Manual.

*2 Stand set

- Only included as standard in some regions.
- It may be packaged in a separate box depending on the region where you purchased the printer.
- Stand accessories are described in the Printer Stand Setup Guide.



- Note**
- Some items are included with the printer but not described in this manual. Keep these items in a safe place after setup because they are used in various printing applications.
 - For instructions on the included items not described in this manual, refer to the Online Manual. ("Displaying the Online Manual" on p.14)
 - A cable to connect the printer to a computer is not provided with the printer.

Manuals Supplied with This Printer

The following manuals are included with this printer.

Printed Manuals

Setup Guide (this manual)

Describes how to setup the printer.

Printer Stand Setup Guide

Describes how to assemble the stand.
This may not be included depending on your region and selected purchase options.

Quick Guide

Contains information related to warnings for using this product safely and information related to replacing paper, ink tanks, and the print head.

Electronic Manuals

Online Manual

The Online Manual describes all aspects of printer use from basic instructions for printing on roll or cut sheet paper, to tips for saving paper and maintaining the best printing quality. It also describes how to print posters and banners from the supplied software.

To view the electronic manuals, refer to "Displaying the Online Manual" (p.14).



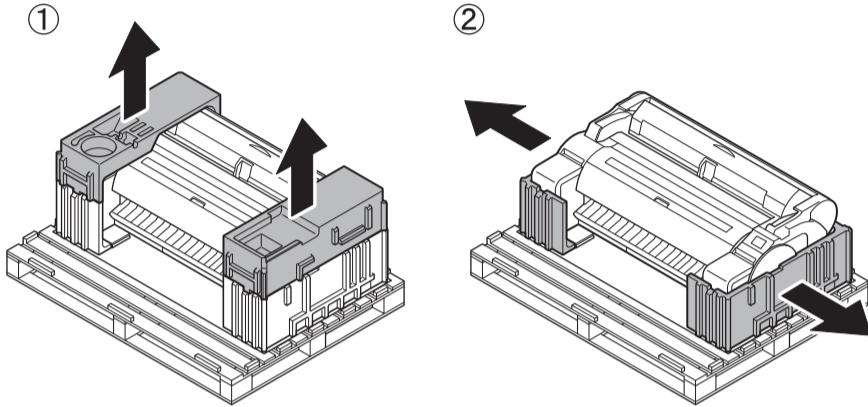
Assembling the Stand

- When using the stand
-> Assemble the stand on which you will install the printer by referring to the Printer Stand Setup Guide (separate manual).
- When not using the stand
-> Proceed to "Installing the Printer".

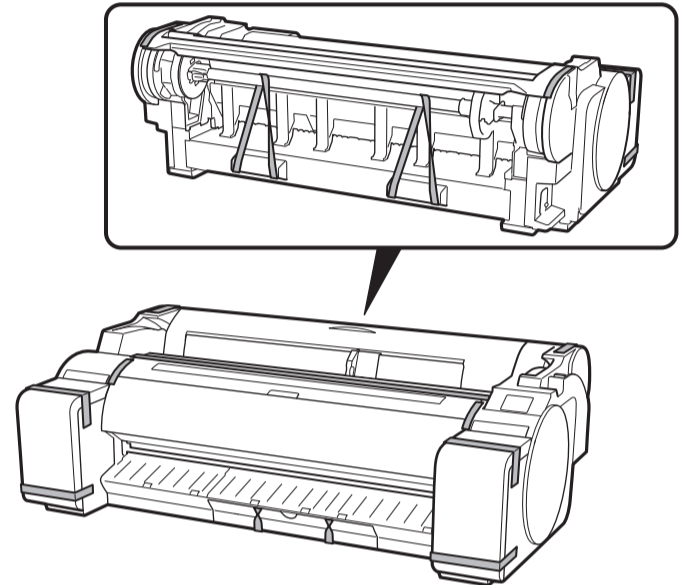


Installing the Printer

1 Remove the packaging material.

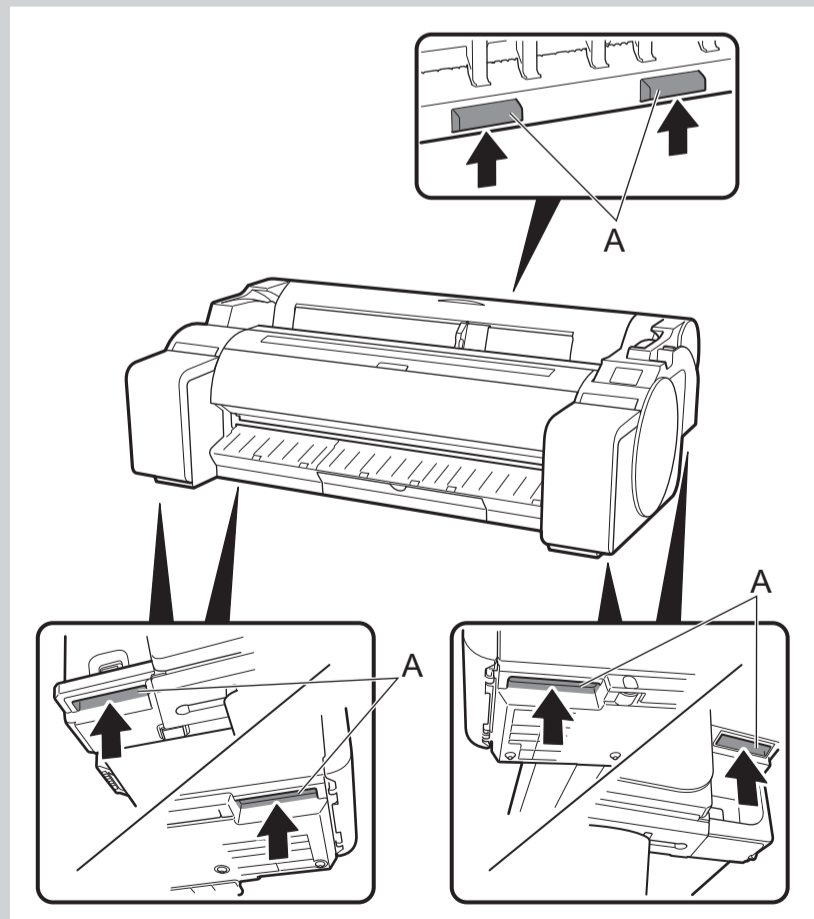
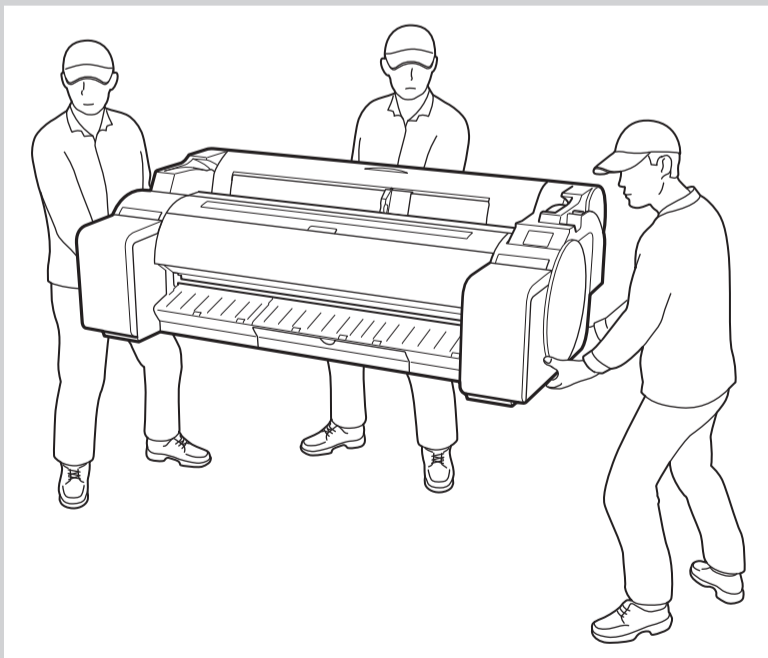


2 Remove all of the tape and other packaging material. Remove the tape affixed to the roll holder.

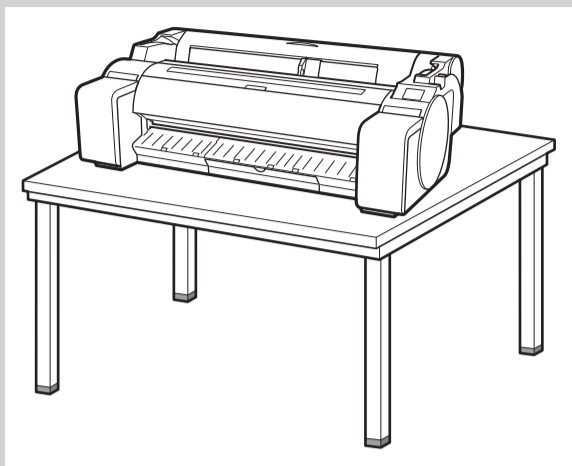


3 Have 3 people lift up the printer. Have 1 person grasp the carrying handles at the bottom of each side, and 1 person grasp the handles in the middle of the rear side.

- Caution**
- Moving the printer requires at least 3 people, holding it on the left, right, and rear sides. Be careful to avoid back strain and other injuries due to the weight of the printer.
 - <Printer weight (printer only)>
 - TM-305: Approx. 108 lb (49 kg)
 - TM-300: Approx. 106 lb (48 kg)
 - TM-205: Approx. 91 lb (41 kg)
 - TM-200: Approx. 91 lb (41 kg)
 - When moving the printer, firmly grasp the carrying handles (A) under each side and at the rear side. Holding the printer at other positions is dangerous and cause injury and damage if the printer is dropped.



Caution • When setting the printer down temporarily make sure to put the printer on a flat, stable surface.

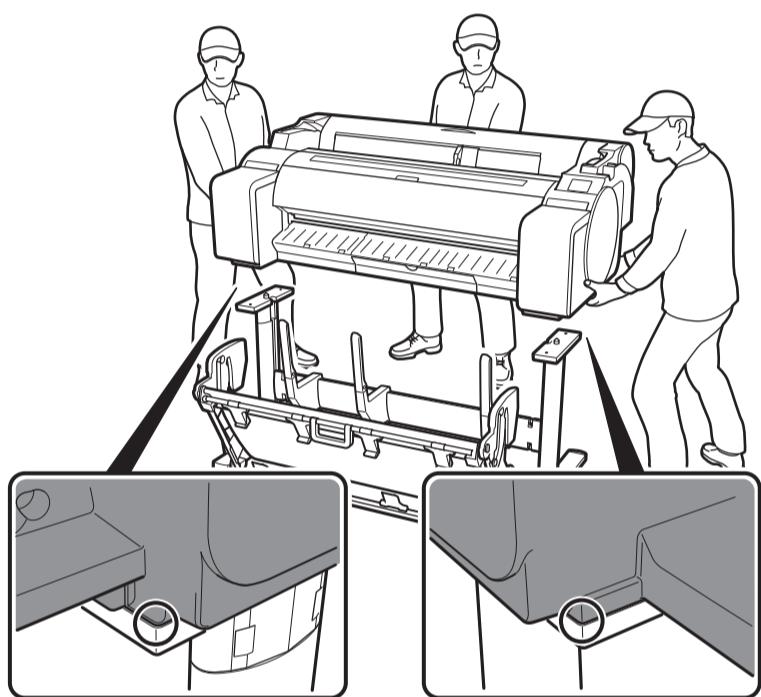


• Supporting only the center of the printer when carrying or setting the printer down may damage the printer.



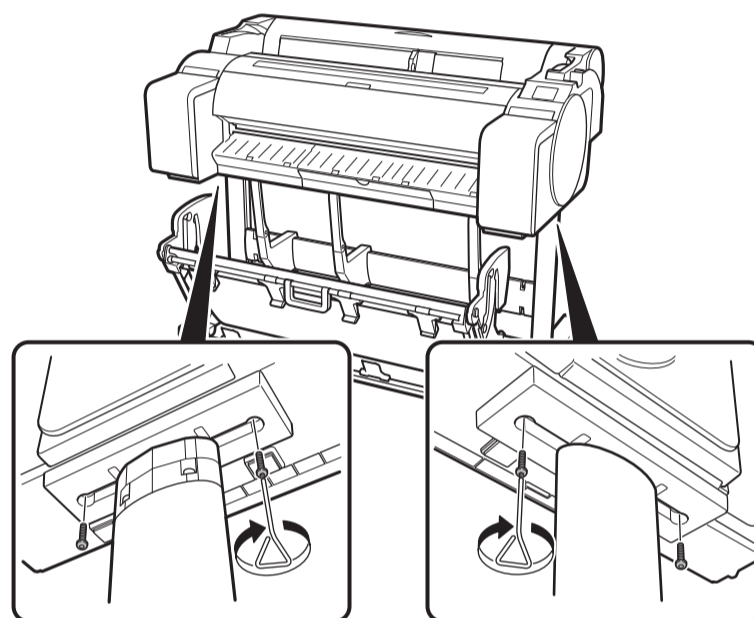
4

Place the printer on the stand such that the rear bottom corners of the printer are aligned with the corners of the stand.



5

Affix the printer to the stand. Use an allen wrench to secure the printer with 2 M4 hex screws on each side from the underside of the supporting plate.



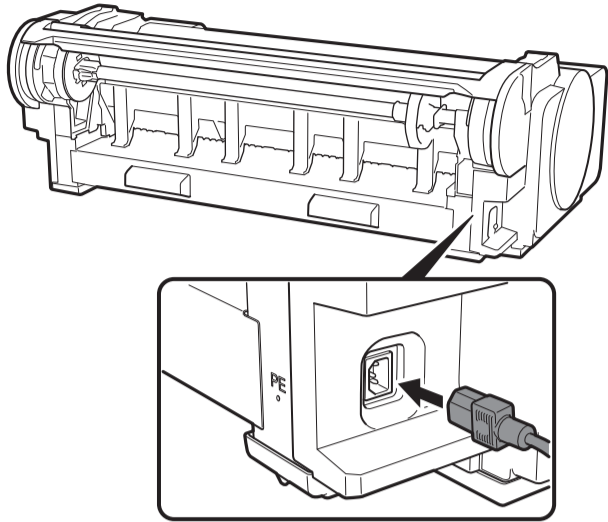
Important

• If you are not using a stand, place the printer in the installation location and proceed to "Turning On the Printer".



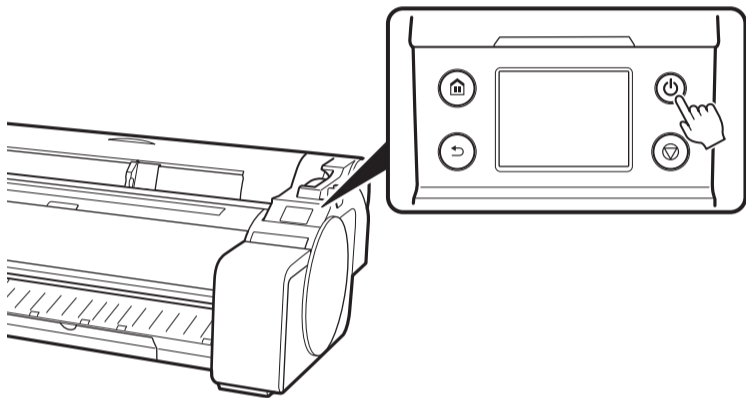
Turning On the Printer

- 1** Insert the power cord into the power connector on the side of the printer, and attach an earth wire to the earth terminal on the back of the printer using a screwdriver.

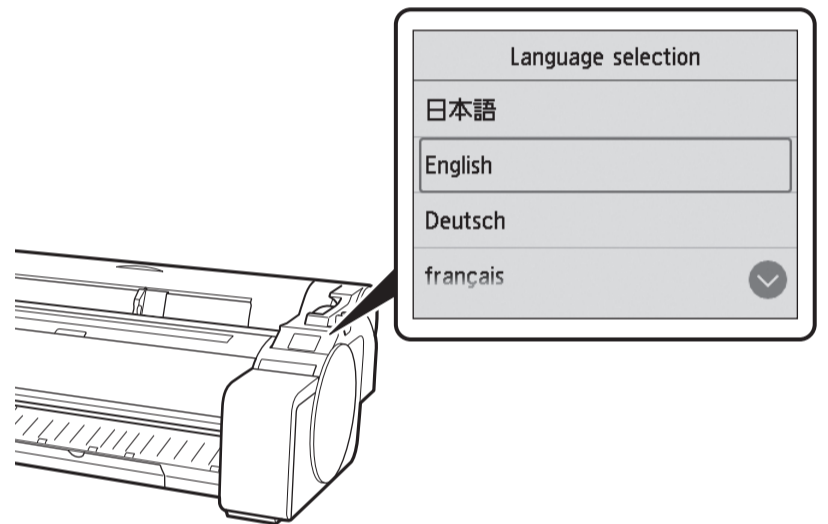


- 2** Plug the power cord into the outlet.

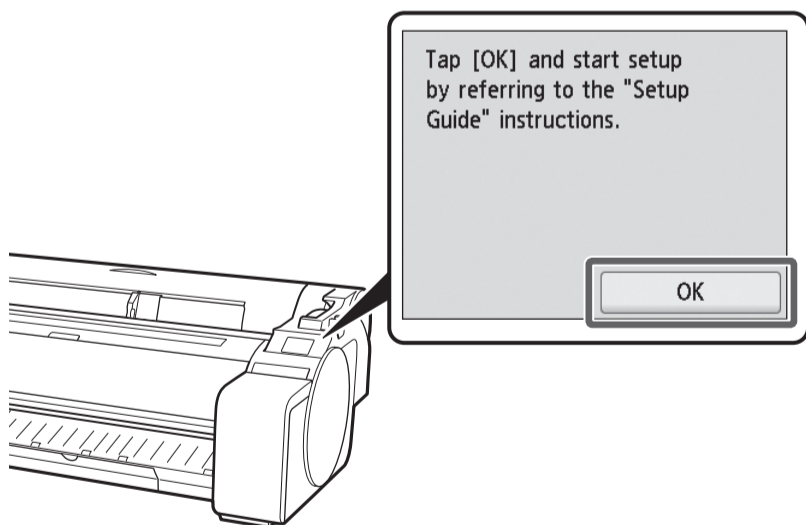
- 3** Turn on the printer.

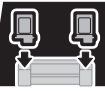


- 4** When the language selection screen appears on the touch screen, select a language. Then, if the screen for selecting a time zone appears, select your region.



- 5** When a message asking you to start the setup appears on the touch screen, select **OK**.

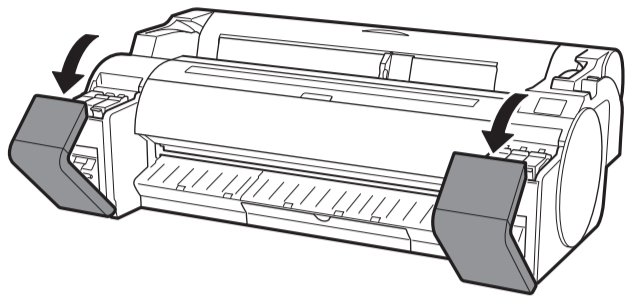




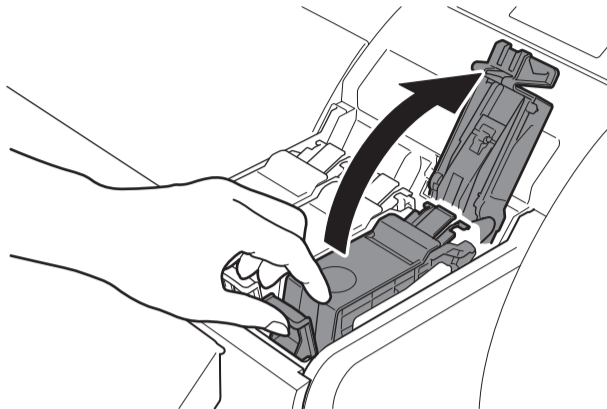
Installing the Ink Tanks

Install the 5 ink tanks by following the instructions on the screen.

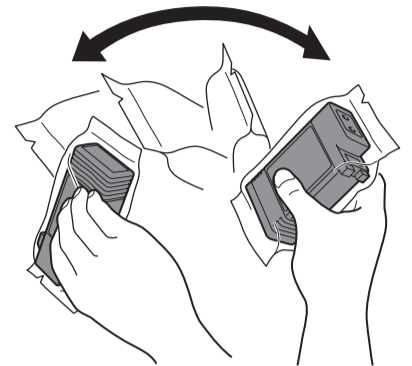
1 Instructions on ink tank installation are shown on the touch screen. Open the ink tank covers as instructed by grasping the handles.



2 While pushing the tip of the ink tank lock lever horizontally, open the ink tank lock lever upwards.



3 Shake each ink tank gently 1 or 2 times before opening its pouch.



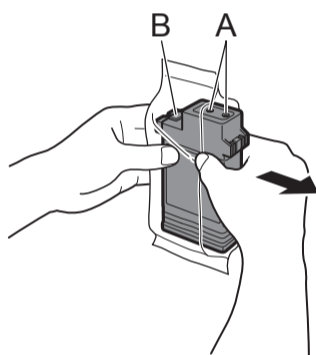
Important

• Failure to shake the ink tanks may result in reduced print quality because ink ingredients have settled on the bottom of the tank.

Note

• If the ink tank is cold, allow it to adjust to room temperature before attaching it to the printer.

4 Open the pouch and remove the ink tank.

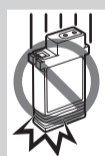


Important

• Never touch the ink holes (A) or metal contacts (B). Touching these parts may cause stains, damage the ink tank, and affect print quality.

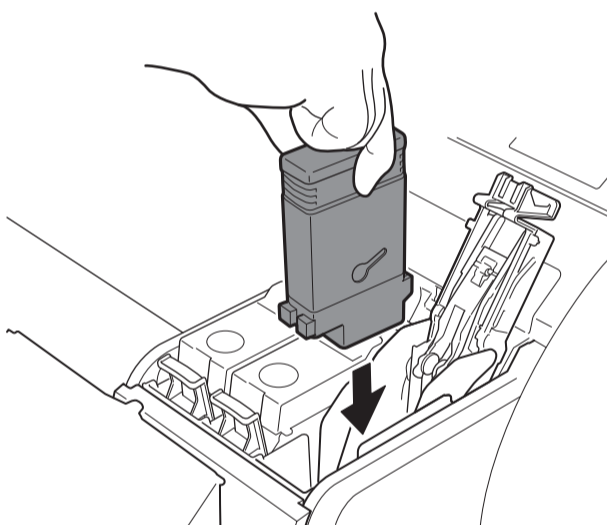


• Avoid dropping the ink tank after removing it from the pouch. Otherwise, ink may leak and cause stains.



• Do not remove ink tanks to shake them after they have been mounted. Doing so may cause ink to spill.

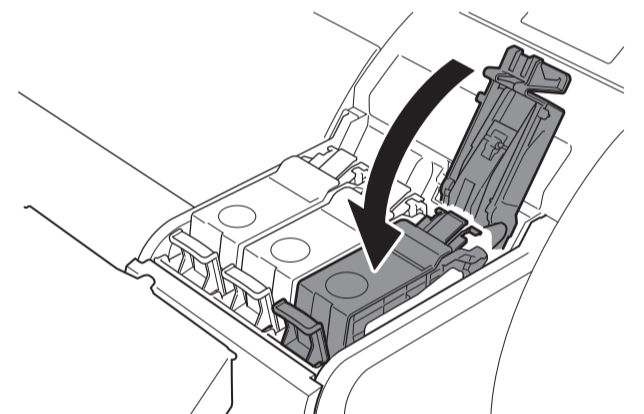
5 Insert the ink tank into the holder, with the ink holes facing downwards as shown in the figure.



Important

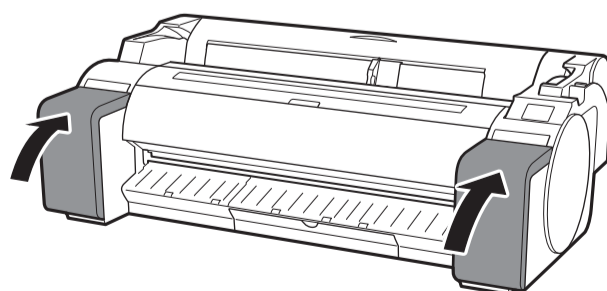
• If the ink tank does not fit into the holder, check that the color on the ink tank label matches the color shown on the ink tank lock lever. Check also the orientation of the ink tank.

6 Close the ink tank lock lever until it clicks.



7 Repeat steps 2 to 6 to install each of the ink tanks.

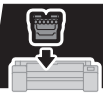
8 Close the ink tank covers.



9 Check that the color of the ink tank that was set is displayed on the touch screen, and select **OK**.

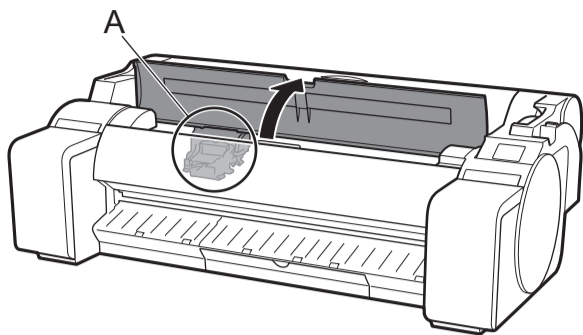
Important

• If the touch screen does not show the color, repeat steps 2 and 6.



Installing the Print Head

1 When the instruction to open the top cover appears on the touch screen, open the top cover.

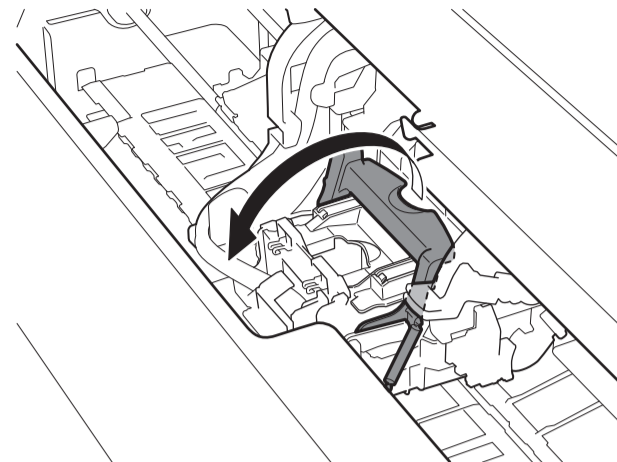


Instructions are now shown on the touch screen regarding print head installation.

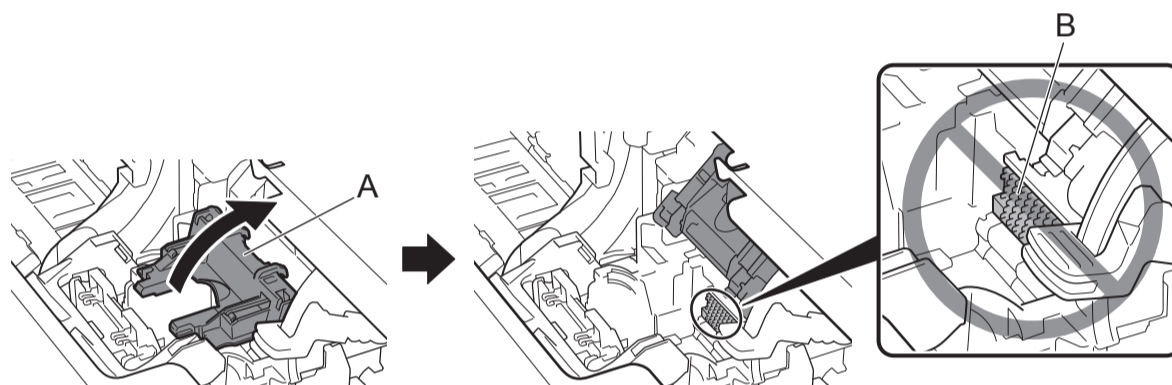


• When installing the print head, do not move the carriage (A) from the position in the figure. If you accidentally move the position of the carriage (A), close the top cover. The carriage (A) will move to the position in the figure.

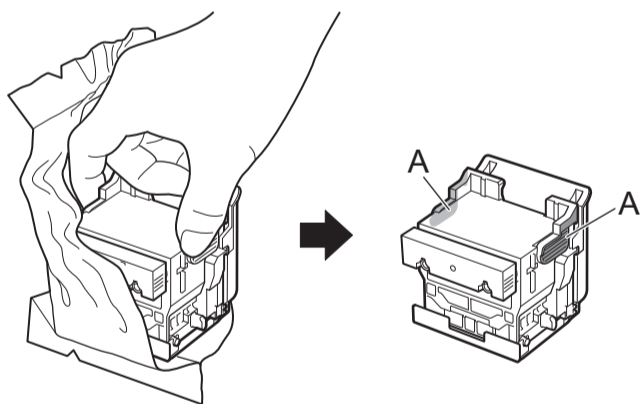
2 Tilt the print head lock lever towards you.



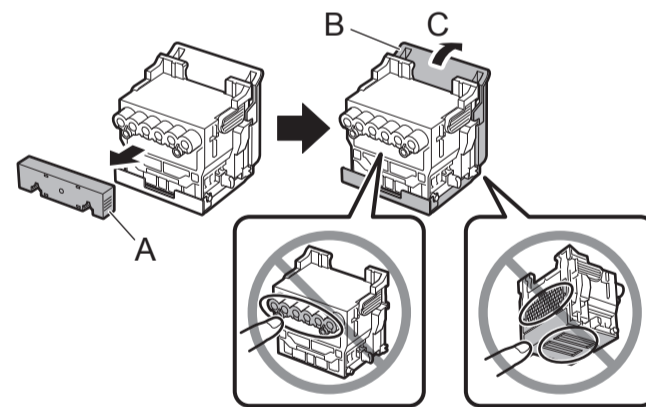
3 Open the print head locking cover (A) and select **OK** on the touch screen. At this time, check that there is no dirt on the electrical contacts (B) of the carriage.



4 Remove the print head from the bag by holding the tab parts (A).



5 Remove the orange protective cap (A), and then remove the other orange protective cap (B) by holding the tab part (C).

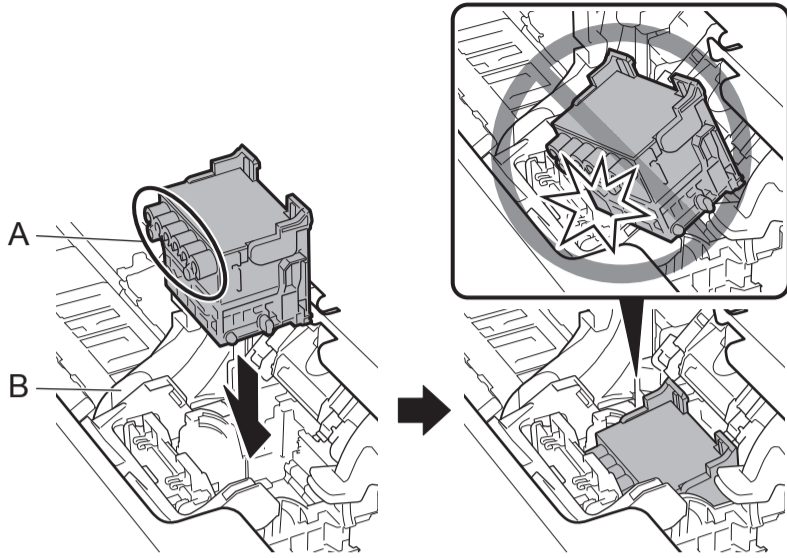


• Do not touch the part that was being protected by the protective cap under any circumstances. Touching it may cause damage to the print head or printing problems.

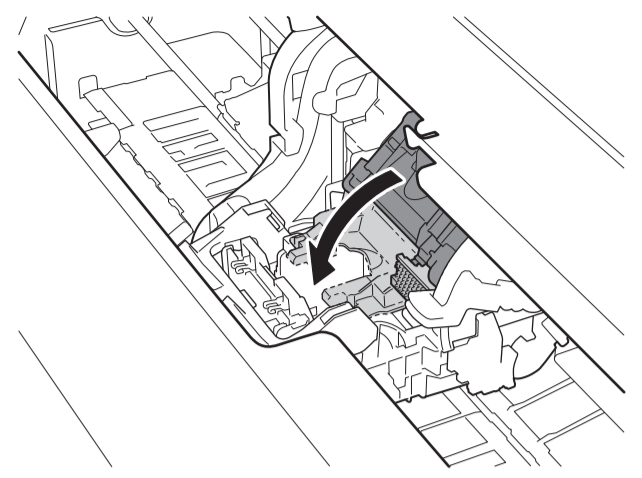
• The print head is filled with ink. It is recommended that you remove the protective materials over the bag that the print head came in or something like that to prevent spills from soiling your clothing or the surroundings.

• Do not reattach the protective caps after removing them. Dispose of them according to local regulations.

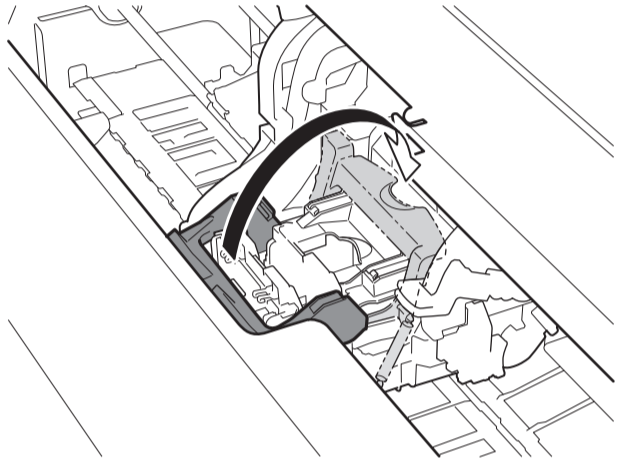
6 Insert the print head into the carriage (B) with the ink holes (A) on the upper side and facing towards you as shown in the figure. Carefully push the print head firmly into the carriage (B), ensuring that the part covered by the protective caps does not touch the carriage.



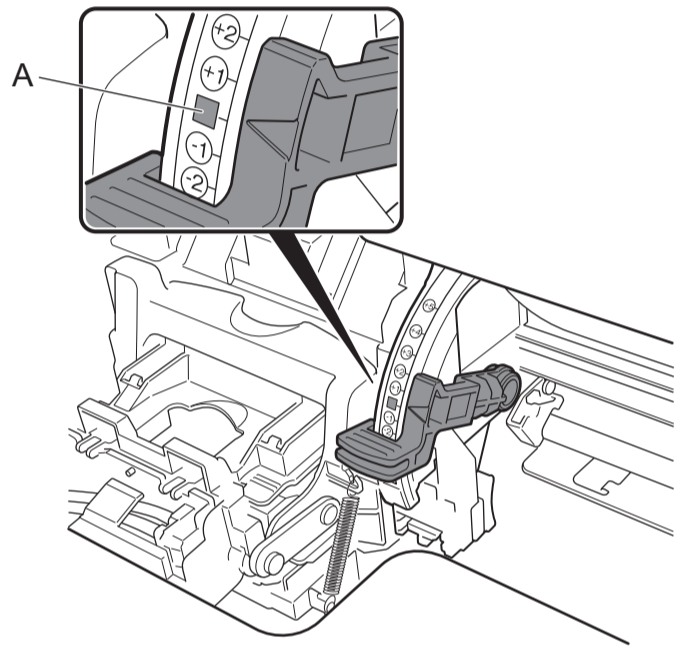
7 Pull the print head locking cover down toward the front to lock the print head in place.



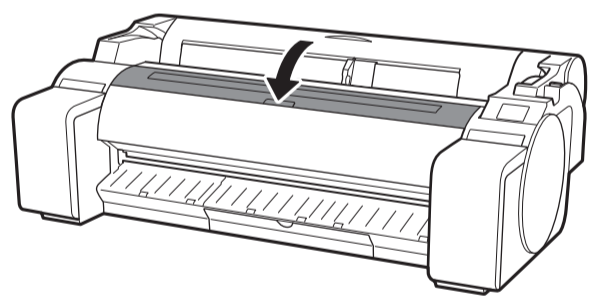
8 Push the print head lock lever all the way to the end.



9 Check that the angle adjustment lever is aligned with the position of the red ■ (A). If it is not aligned, align the angle adjustment lever with the red ■ (A).



10 Close the top cover.

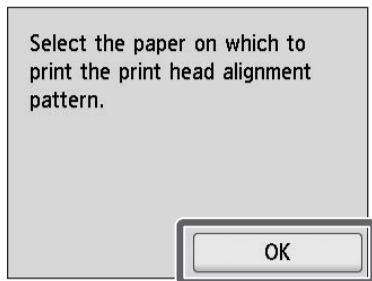




Loading Paper

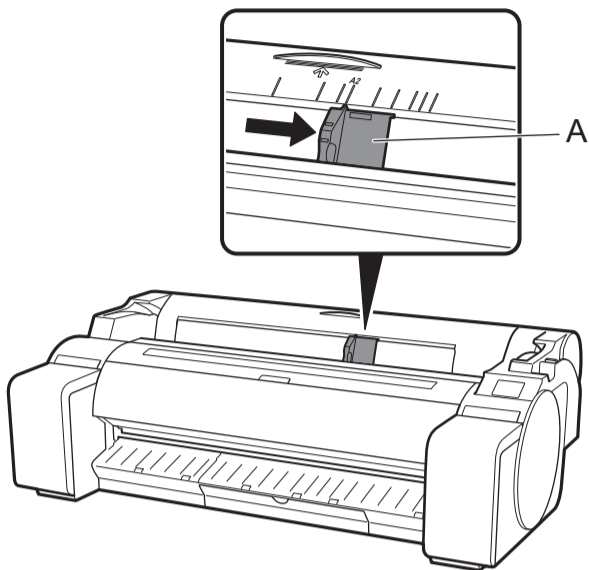
Load the paper for adjustment.

1 When **Select the paper on which to print the print head alignment pattern** appears on the touch screen, select **Manual**.



The touch screen shows instructions on how to load cut sheets.

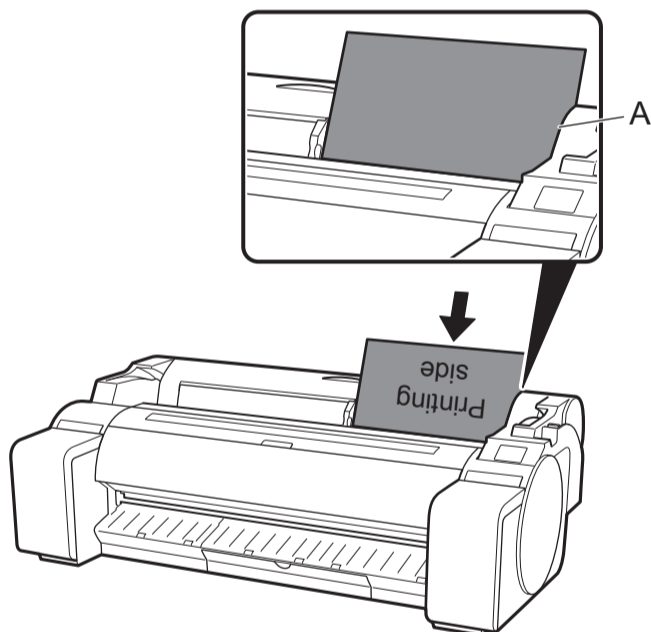
2 Slide the width guide (A) to align it with a marker indicating the size of the loaded paper. In this example, align the guide to **A2**, which is the size of the provided paper for adjustment.



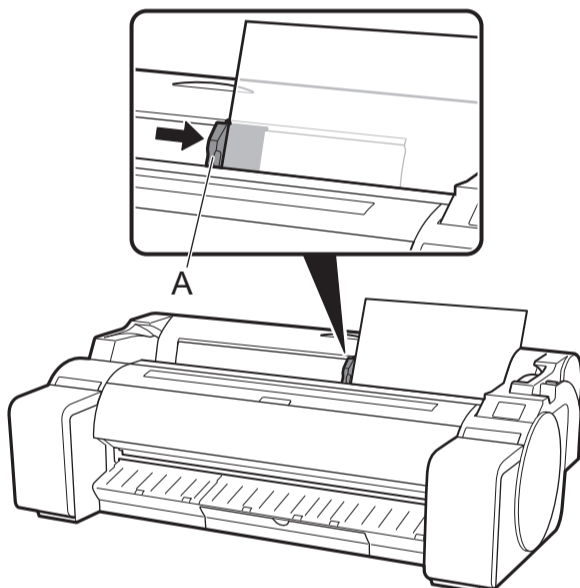
3 Prepare 1 sheet of paper for adjustment. Identify the printed side by referring to the bag in which the paper came.

Important • Return unused paper to the bag in which it came and store it away from high temperature, high humidity, and direct sunlight.

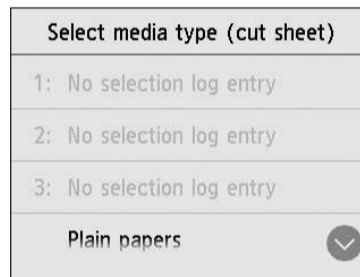
4 Insert the paper straight into the feed slot, with the printed side facing up, so that the right edge of the paper is aligned with the paper alignment guide (A) on the right side of the roll paper cover. Insert the paper until the edge makes contact and you hear 2 short beep sounds.



5 Adjust the position of the width guide (A) according to the size of the loaded paper. Align the width guide exactly with the paper to avoid the loaded paper from tilting or crinkling.



6 The screen for selecting the paper type appears. Select the type of paper you loaded. In this example, select **Coated papers** and then **Coated papers**.



The paper starts feeding.

Important • This printer allows only 1 sheet to be loaded. Do not load 2 or more sheets. Doing so may cause a paper jam.
• If the paper is wavy or warped, it may cause a paper jam. Flatten out the paper before loading it.

7 When the paper feed is finished, the printer automatically starts charging the ink for the first time and adjusting the print head. This takes about 25 minutes.

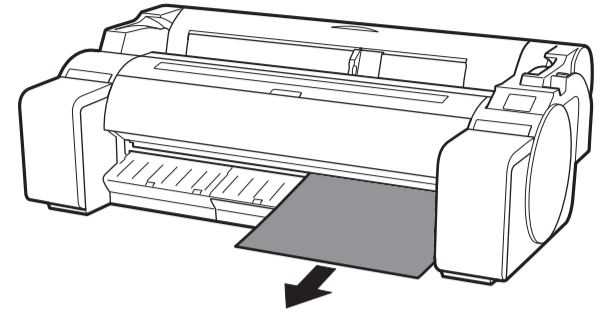
During this time, install the software on the computer. (Refer to "Connecting to the Printer" on p.12)



Note

• Charging the system with ink fills the system from the ink tanks to the print head. In addition, cleaning is performed to keep the printer in optimal condition. This may cause the remaining ink indicator and maintenance cartridge capacity indicator to drop some amount. Starter ink tanks are for first-time installation. It is recommended that you purchase replacement ink tanks quickly.

8 When the print head adjustment is complete, the paper with the adjustment pattern printed on it is ejected. Instructions on how to remove paper will be displayed on the touch screen. Perform the rest of the procedure by following the instructions.

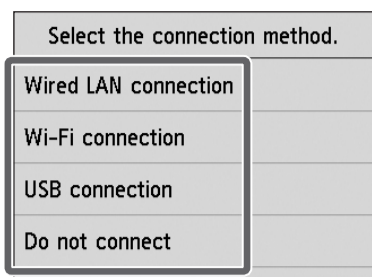


Important

• Do not operate the release lever until the instruction on removing paper is displayed on the touch screen. If you operate the release lever while printing is in progress, the printing will stop in the middle.

Perform Print Head Adjustment and Select the Connection Method

When the screen for selecting the connection method appears, select the connection method to use.

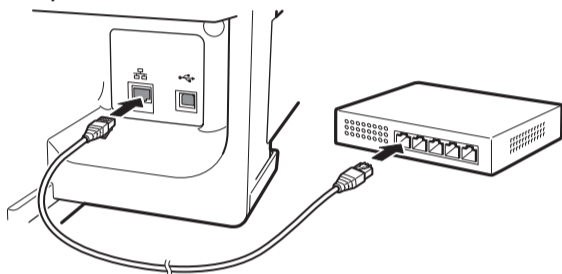


Note • If you are connecting the printer to the network using a fixed IP address, select **Do not connect**. Configure the settings from the touch screen of the printer after the printer has finished charging the ink for the first time and adjusting the print head.

Wired LAN connection

This is the method for connecting the printer to the network using a LAN cable.

- 1** Select **Wired LAN connection**. Check the message about the connection method and select **Yes** if there are no problems.
- 2** A message prompting you to connect the LAN cable appears.
- 3** Use the LAN cable to connect the wired LAN connector on the side of the printer to the hub port.



- 4** Select **OK**.

Wi-Fi connection

This is the method for connecting the printer to the network without using a cable.

- 1** Select **Wi-Fi connection**. Check the message about the connection method and select **Yes** if there are no problems.
- 2** A message prompting you to set up Wi-Fi connection appears.
- 3** **If you are configuring from a computer**
-> Select **Yes**.
If you are configuring from the printer
-> Select **No**.

USB connection

This is the method for connecting the printer to a computer using a USB cable.

Do not connect the USB cable yet.

- 1** Select **USB connection**. Check the message about the connection method and select **Yes** if there are no problems.

The paper starts feeding, and then the printer automatically starts charging the ink for the first time and adjusting the print head. Charging the ink for the first time and adjusting the print head for the first time takes about 25 minutes.



Important • Do not open the covers of the printer or turn the power off while the ink is charging for the first time and the print head is being adjusted.



Note • If you selected **Do not connect**, the connection settings and software installation will need to be performed separately.
Proceed to "Connecting to the Printer" on p.12.

• Charging the system with ink fills the system from the ink tanks to the print head. In addition, cleaning is performed to keep the printer in optimal condition. This may cause the remaining ink indicator and maintenance cartridge capacity indicator to drop some amount. Starter ink tanks are for first-time installation. It is recommended that you purchase replacement ink tanks quickly.

Wired LAN connection

You can configure the printer and computer connection settings and install the software while the ink is charging for the first time and the print head is adjusting.

Proceed to "Connecting to the Printer" on p.12.

Wi-Fi connection

If you are configuring from a computer
->You can configure the printer and computer connection settings and install the software while the ink is charging for the first time and the print head is adjusting.

Proceed to "Connecting to the Printer" on p.12.

If you are configuring from the printer
->Configure the Wi-Fi settings from the printer after the printer has finished charging the ink for the first time and adjusting the print head.

Proceed to "Configure Wi-Fi Settings on the Printer" on p.13.

USB connection

You can configure the printer and computer connection settings and install the software while the ink is charging for the first time and the print head is adjusting.

Proceed to "Connecting to the Printer" on p.12.



Connecting to the Printer

The printer connection settings and software installation are performed using a computer. You can download the setup file from our website. If you are using a Windows PC, you can also run the file from the CD-ROM.

However, if you selected **No** in step 3 for Wi-Fi connection on p.11, configure the Wi-Fi settings only using the printer. Proceed to "Configure Wi-Fi Settings on the Printer" on p.13.

Downloading and running from the website (Windows/Mac)

1 Enter the following URL in the web browser of your computer to access the website.

<http://ij.start.canon>



2 Click **Set Up**. Perform the remaining operations by following the instructions on the screen.



3 Click **Download** to download the setup file and then run the file.

If a warning screen about downloading appears, select **Do not block, Allow**, etc. and then proceed to the next step.

Click Download on the computer to which you want to connect the printer.



Booting up from the CD-ROM (Windows)

If you are using Windows 10 or Windows 8.1

1 Insert the setup CD-ROM into the computer.



2 Click the popup message for the disk drive and click **Run Msetup4.exe** on the screen that is displayed.

If the message did not appear (or has disappeared)

- 1 Click or **File Explorer** on the taskbar.
- 2 Click **This PC** on the left side of the window that opens.
- 3 Double-click the CD-ROM icon on the right side of the window.
- 4 If the contents of the CD-ROM appear, double-click **Msetup4.exe**.

3 If the **User Account Control** dialog box appears, click **Yes** and proceed to the next step.

If you are using Windows 7

1 Insert the setup CD-ROM into the computer.



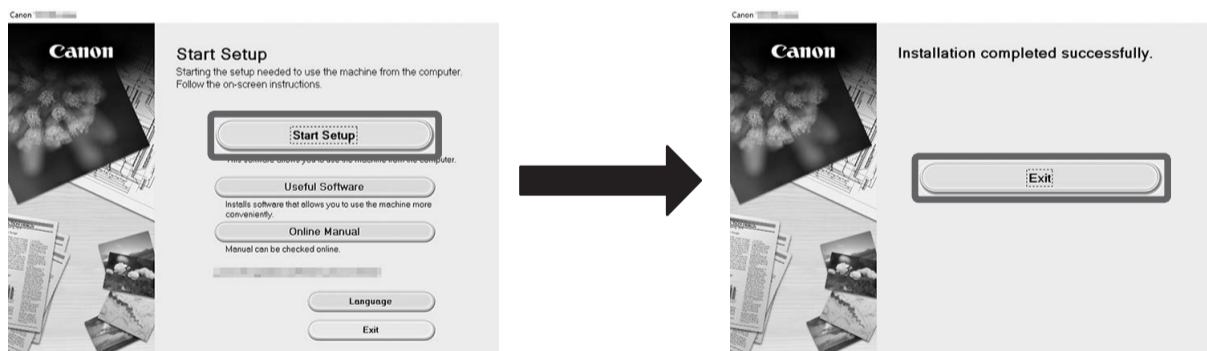
2 When the **AutoPlay** screen appears, click **Run Msetup4.exe**.

If the AutoPlay screen does not appear

- 1 Click **Computer** from the start menu.
- 2 Double-click the CD-ROM icon in the right side of the window that opens.
- 3 If the contents of the CD-ROM appear, double-click **Msetup4.exe**.

3 If the **User Account Control** dialog box appears, click **Continue** and proceed to the next step.

4 Click **Start Setup**. Configure the settings by following the instructions on the screen.



This completes the setup.



- A screen for selecting the printer connection method may be displayed in the middle of configuring the settings. If this happens, select the method you selected on p.11 and then click **Next** and continue with the rest of the settings.
- Connect the USB cable to the proper location.

Configure Wi-Fi Settings on the Printer

If you selected **No** in step 3 for Wi-Fi connection on p.11, configure the Wi-Fi settings using the touch screen of the printer.

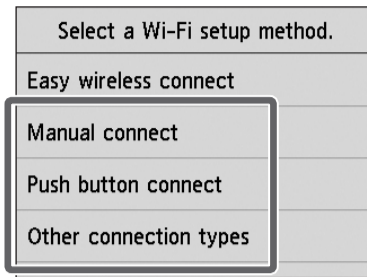
- 1** Once the print head adjustment has finished, check that the following screen appears and select **OK**.



Note

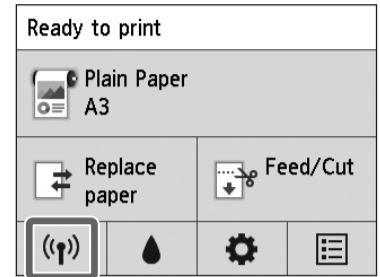
- If the following message appears, the printer initial settings are not finished. Wait until the above screen appears.
Checking the nozzle.
Preparing the ink system.
Cleaning...

- 2** Select the connection method.



Configure the Wi-Fi settings by following the instructions on the screen.

- 3** When the home screen appears and ((P)) (Network) appears, the Wi-Fi settings are complete.



Note

- Before using the printer, the software needs to be installed on the computer that is connected to the printer.

Proceed to "Connecting to the Printer" on p.12.

Printing From a Smartphone or Tablet

With the "Canon PRINT Inkjet/SELPHY" application software, you can easily, wirelessly print photos stored on your smartphone or tablet (running iOS or Android). You can download this application by accessing the QR code to the right.



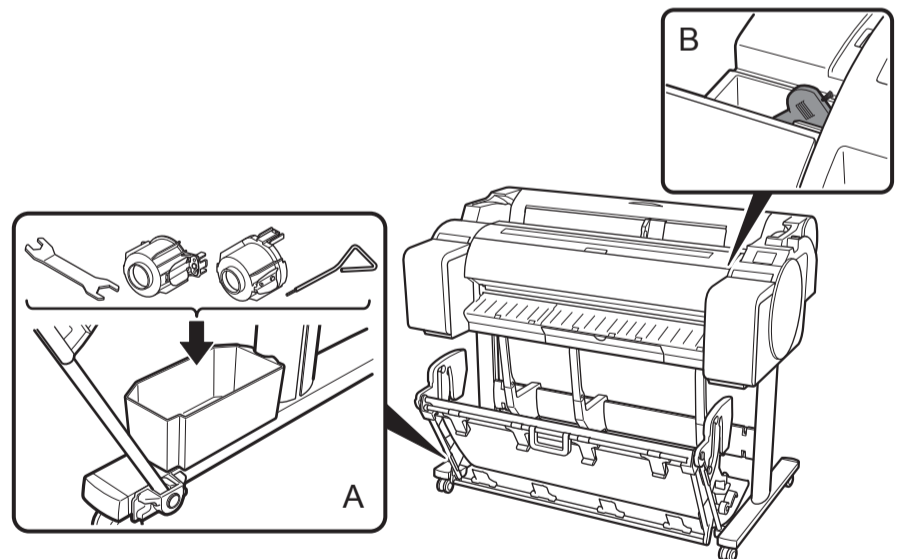
Storing Accessories

A: Accessory pocket

- Can be used to store accessories such as the 3-inch paper core attachment.
- The accessory pocket is included with the stand. Refer to "Attach the Accessory Pocket" in the Printer Stand Setup Guide (separate manual) for details on how to attach.

B: Cleaning brush

- When you open the top cover, a cleaning brush is stored on the right side. Use it when cleaning inside the top cover.



Loading Roll Paper After Setup

To load roll paper after setup, on the home screen, select **Load paper** and then **Load roll paper**, and follow the instructions on the screen.

For details, refer to the Online Manual. => "Displaying the Online Manual" on p.14



Displaying the Online Manual

The Online Manual describes how to use the printer. It can be accessed from the Canon website as shown below.

1

Access the Canon website by any of the following methods.

- Enter the URL

<http://ij.start.canon>



- Scan the QR code



* An app is needed in order to scan the QR code.

2

Select **Read Online Manual**.

Perform the remaining operations by following the instructions on the screen to display the Online Manual.



Responding to Messages

Error messages may appear on the touch screen of the operation panel when setting up printer. If so, it may not indicate a problem with the printer, and the issue may be easily resolved. Common messages and the causes are listed here with corrective actions. For details on other messages, refer to the Online Manual.

Message	Cause	Corrective Action
The ink tank is not installed. Install the ink tank properly.	There is no ink tank loaded.	Install or reinstall the ink tank. (Refer to steps 1 to 8 on p.6)
	The ink tank is not firmly installed all the way in.	
Print head cannot be recognized correctly. Open the top cover and install the correct print head.	The print head is not installed.	Install the print head. (Refer to steps 1 to 10 on p.7 and p.8)
	Electrical contact failure in the print head.	Remove the print head, make sure that no debris becomes adhered to the contacts on the print head and the carriage, and then reinstall the print head.
The paper has been loaded at an angle. Push the release lever away from you and reload the paper.	The paper may not be loaded properly (in a straight direction). (The width guide may not match the paper. Refer to step 5 on p.9.)	Reload the paper. (Refer to steps 2 to 6 on p.9) Operate the following release lever (A).
Cannot detect the paper size. Move the release lever and reload the paper.	The paper may not be loaded in a proper location. (The right end of the paper may not be aligned with the paper alignment line. Refer to step 4 on p.9.)	
Hardware error ECxx-xxxx (x represents a letter or number) Printer error has occurred. Turn the device off, wait a while, and then turn it on again.	You may have encountered an error that cannot be resolved.	Turn off the printer and wait at least 3 seconds before restoring the power. If the message appears again, write down the error code and message, turn off the printer, and contact your Canon dealer for assistance.
Error Ecxxx-xxxx (x represents a letter or number) Printer error has occurred. See the manual and contact the service center.	You may have encountered an error that cannot be resolved.	Write down the error code and message, turn off the printer, and contact your Canon dealer for assistance.

