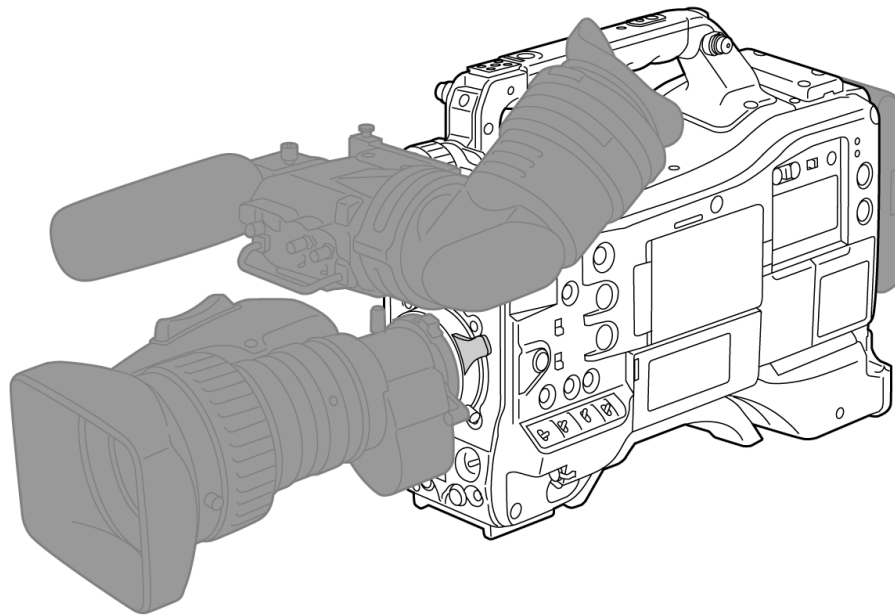


Panasonic[®]

Operating Instructions

Memory Card Camera-Recorder

Model No. **AJ-CX4000G***express***P2***micro***P2****AVCULTRA****HDMI**[™]**SD**[™] V90
XC II

Please carefully read this manual.

Before using this product, be sure to read "Read this first!" (pages 3 to 8) as described in the supplied Operating Instructions (printed version).