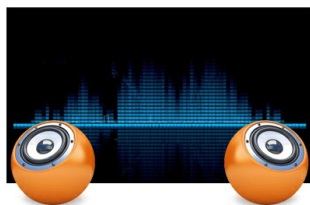




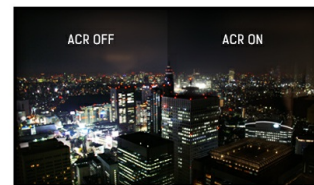
### 24" IPS technology panel with ultra-flat front and height adjustable stand

Stylish edge-to-edge design makes the ProLite XUB2493HS perfect for multi-monitor set-ups. The IPS panel technology offers accurate and consistent colour reproduction with wide viewing angles. High contrast and brightness values mean the monitor will provide excellent performance for photographic and web design, and the height adjustable stand ensures you can easily adjust the screen position to your preferences. It is a great choice for both multi-monitor Digital Signage and office applications.



#### Speakers

This LED monitor is equipped with two high quality stereo speakers.



#### ACR

Contrast Ratio is a measurement of the difference between the darkest black and the brightest white your monitor can display. Advanced Contrast Ratio is a feature that automatically adjusts contrast and brightness of the screen to assure perfect picture quality while watching films and playing games.

## 01 DISPLAY CHARACTERISTICS

Design	ultra slim
Diagonal	23.8", 60.47cm
Panel	IPS panel technology LED, matte finish
Native resolution	1920 x 1080 @60Hz (2.1 megapixel Full HD )
Aspect ratio	16:9
Brightness	250 cd/m <sup>2</sup> typical
Static contrast	1000:1 typical
Advanced contrast	5M:1
Response time	4ms
Viewing zone	horizontal/vertical: 178°/ 178°, right/left: 89°/89°, up/down: 89°/89°
Colour support	16.7mln 8bit (6bit + Hi-FRC)
Horizontal Sync	30 - 80KHz
Vertical Sync	55 - 75Hz
Viewable area W x H	527.04 x 296.46mm, 20.7 x 11.7"
Pixel pitch	0.275mm
Colour	matte, black

## 02 INTERFACES / CONNECTORS / CONTROLS

Signal input	VGA x1 HDMI x1 DisplayPort x1
HDCP	yes
Headphone connector	yes

## 03 FEATURES

Blue light reducer	yes
Flicker free	yes
OSD languages	EN, DE, FR, ES, IT, RU, JP, PL, NL, PT
Control buttons	Auto Adjust/ Signal/ Exit, +/- Eco, -/ Volume/ Blue Light Reducer, Menu, Power
User controls	luminance (contrast, brightness, i-style Colour, ACR, Eco), image setup (clock, phase, H. position, V. position, aspect), colour settings (gamma, 6-axis, colour temperature), OSD setup (OSD H. position, OSD V. position, OSD time, language), extra (reset, DDC/CI, signal select, OV, audio source, opening logo, LED, information, volume, auto adjust)
Speakers	2 x 2W
Convenience	Kensington-lock™ prepared, DDC2B, Mac OSX

## 04 MECHANICAL

Display position adjustments	tilt, height, pivot (rotation), swivel
Height adjustment	130mm
Rotation (PIVOT function)	90°
Swivel stand	90°; 45° left; 45° right
Tilt angle	21.5° up; 3.5° down
VESA mounting	100 x 100mm

## 05 ACCESSORIES INCLUDED

Cables	power (1.8m), HDMI (1.8m)
Other	quick start guide, safety guide

## 06 POWER MANAGEMENT

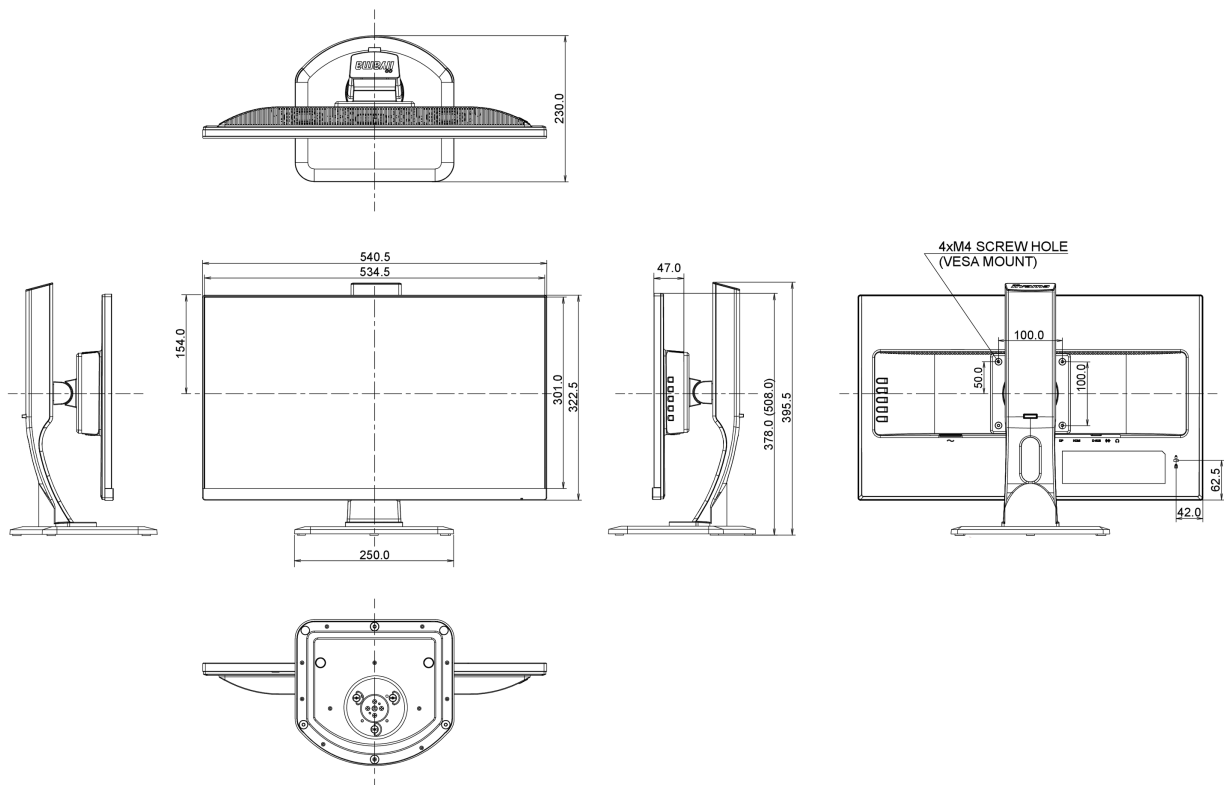
Power supply unit	internal
Power supply	AC AC - 100V, 240/V, 50Hz
Power usage	19W typical, 0.5W stand by

## 07 SUSTAINABILITY

Regulations	CE, TÜV-GS, TCO, CB, EAC, VCCI-B, PSE, Energy Star , WEEE, EPEAT, VOC (JEITA standard)
Energy efficiency class	A+
EPEAT Silver	EPEAT is a comprehensive environmental rating that helps identify greener computers and other electronic equipment. The Silver certification means the monitor meets all required criteria plus at least 50% of the optional requirements. EPEAT Silver is valid in countries where iiyama registers the product. Please visit <a href="http://www.epeat.net">www.epeat.net</a> for the registration status in your country.

## 08 DIMENSIONS / WEIGHT

Product dimensions W x H x D	540.5 x 378 x 230mm
Weight (without box)	5.4kg



All trademarks and registered trademarks acknowledged. E & O E. Specification subject to change without notice. All LCD's comply with ISO-9241-307:2008 in connection with pixel defects.

