

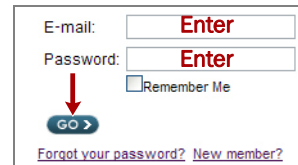
SnapServer® XSD 40 Desktop Storage Appliance



Step 1

It is **essential** that you activate your warranty. Technical and warranty support are **not available** until the warranty is active:

1. Go to <http://www.overlandstorage.com/> and select **Service & Support > My Products**.
2. At the **Site Login**, enter your **e-mail address** and **password**, and click **GO**.
3. Click **Register New Product**.
4. Fill in the information (including serial number) and click **Submit**.



NOTE: You'll receive a confirmation email from Overland with instructions on how to complete the registration process.

Step 2

WARNING: To reduce the risk of electric shock or damage to equipment, always remove any power cords while working with the unit.

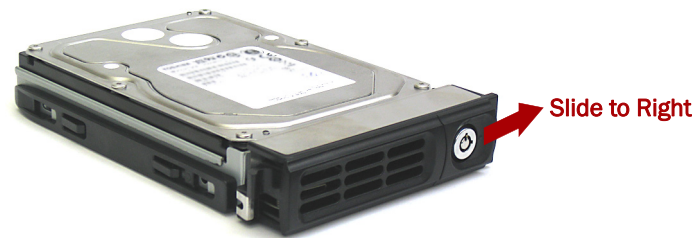
AVERTISSEMENT: Pour réduire le risque de choc électrique ou endommagement de l'équipement, retirez toujours les cordons électriques en travaillant avec l'appareil.

Any optional internal components, such as a PCIe card or an additional DIMM, need to be installed before continuing. Refer to the installation instructions and warnings that are packaged with the add-on components.

Step 3

All drives for the XSD 40 come packed separately and must be installed. The XSD 40 holds as many as four disk drives. The unit is shipped only with the number of drives ordered.

The handle mechanism must be unlatched to install the drive carriers in the XSD 40.



1. Slide the **release button** on the carrier to the right.
The latch on the front of the carrier will release and the handle will extend.
2. Set the **carrier** on an secure surface.
3. Repeat **Steps 1–2** for each remaining **carrier**.
4. With the door open, position a **drive assembly** in front of the topmost empty **bay**.
5. Slide the **assembly** into the bay until the assembly stops.



6. Swing the **handle** closed until it clicks, locking the drive into place.
7. Repeat **Steps 4–6** for **any** other drives being installed.
8. Close the **door**.

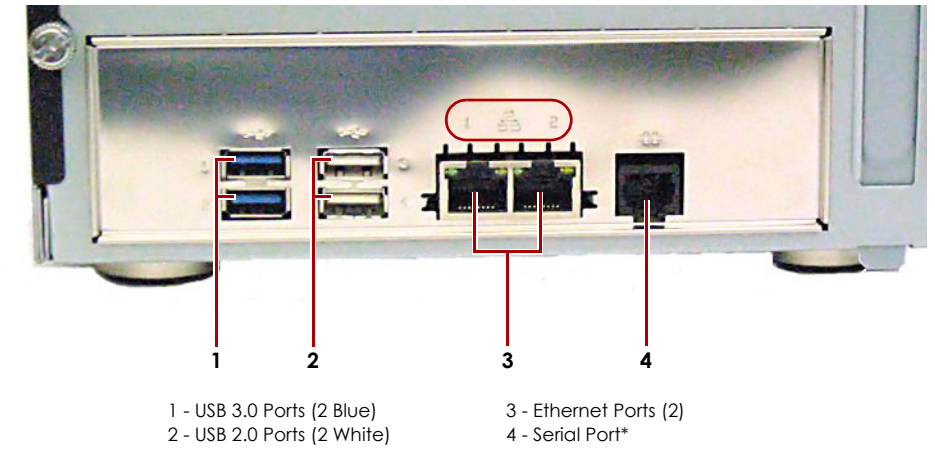
Step 4

IMPORTANT: The speed/duplex setting of the Ethernet ports on a XSD 40 defaults to autonegotiate. The networking switch or hub to which the XSD 40 is connected must also be configured to autonegotiate; otherwise, network throughput or connectivity to the XSD 40 may be seriously impacted.

All cabling ports, power connections, and exhaust vents are located on the XSD 40 rear panel.



Attach the cables as follows:



1. Place the unit on the **secure surface** where it will reside.
2. Connect Ethernet 1 to a **network**.
Using a Category 5e (or better) cable, connect Ethernet 1 on the appliance to a Gigabit Ethernet switch on the same LAN as the host system used to manage the SnapServer XSD 40.

3. If desired, plug a second **network cable** into Ethernet 2.

NOTE: To take advantage of network bonding (load balancing or failover), both data ports (Ethernet 1 and 2) must be physically connected to the network. For load balancing, connect them to the same switch on the same subnet with the switch set to autonegotiate. For failover, connect them to different switches on the same subnet.

4. Attach the power cord to the **AC power** socket on the XSD 40.
5. Plug the **power cord** into a UPS appliance or a properly grounded AC power source.
6. If using an APC-brand UPS appliance, plug the **USB cord** from the UPS into a USB port on the rear of the SnapServer.

NOTE: SnapServer systems are designed to work with APC-brand USB or network-based UPS devices to automatically shut down cleanly in the event of a power failure. You must configure the APC unit both in the Web Management Interface and in the APC user interface.

7. Briefly press the front **power button** (⏻) to power ON the unit.

Important – Read This Before Continuing

After initial power up with new drives, a DX Series appliance takes up to **10 minutes** to complete the new appliance initialization process. During this time, the Status LED flashes an alternating green and amber pattern.

CAUTION: Under no circumstances should power be removed while the system is in this state! Doing so may render the appliance inoperable.

Once initialization is complete, the system automatically reboots and the Status LED displays a solid green color. Continue with [Connect for the First Time](#).

Step 5

Connect for the First Time

NOTE: SnapServers are configured to acquire an IP address from a DHCP server. If no DHCP server is found on the network, the SnapServer defaults to an IP address in the range of 169.254.xxx.xxx. You may not be able to see the appliance on your network until you discover and optionally assign an IP address using SnapServer Manager (SSM).

- If you are installing your SnapServer XSD 40 on a network with a DHCP server, continue with [Connecting Using the Appliance Name](#).
- If your network does not have a DHCP server or name resolution services, continue with [Connecting Using the SnapServer Manager](#).

Connecting Using the Appliance Name

This procedure requires that name resolution services (via DNS or an equivalent service) be operational.

1. Find the server name.

The default XSD 40 name is “SNAPnnnnnnn,” where nnnnnnn is the appliance number. The server number is a unique, numeric-only string that appears on a label affixed to the bottom of the server.

2. In a web browser, enter the server URL.

For example, enter “http://SNAPnnnnnnn” (using the default XSD 40 name).

3. Press **Enter to connect to the Web Management Interface.**

4. In the login dialog box, enter **admin as the user name, **admin** as the password, then click **OK**.**

5. Complete the **Initial Setup Wizard.**

Your XSD 40 is ready to be configured for your specific environment and needs.

Connecting Using the SnapServer Manager

SnapServer Manager (SSM) is an administrative application that is Java-based, platform-independent, and runs on all major platforms. SSM provides administrators a single interface from which they can discover any SnapServer on the network. You can download and install SSM from:



<http://docs.overlandstorage.com/ssm>

Be sure to install SSM on a computer residing on the same network segment as your SnapServer.

SnapServer Manager Procedure

1. Launch SSM.

SSM discovers all SnapServers on its local network segment and displays their names, IP addresses, and other status information in the main console. If you do not have a DHCP server, there might be a delay before the appliance appears on the network.

NOTE: To distinguish multiple SnapServers, you may need to find their default appliance names as explained in [Connecting Using the Appliance Name](#) section.

2. In SSM, right-click the XSD 40 name and select **Launch Web Administration.**

3. Log into the **Web Management Interface.**

In the login dialog box, enter **admin** as the user name, **admin** as the password, then click **OK**.

4. Complete the **Initial Setup Wizard.**

Your XSD 40 is ready to be configured for your specific environment and needs.

Step 6

User Guides

For detailed information on configuring your SnapServer XSD 40, refer to the *SnapServer Administrator's Guide for GuardianOS* or the *GuardianOS Release Notes*.

They are **available online** at:

<http://docs.overlandstorage.com/snapserver>

Translated versions of this Quick Start Guide are also available on the web page.



Warranty and Technical Support

For warranty and general technical support information, see our [Contact Us](#) web page:

<http://www.overlandstorage.com/company/contact-us/index.aspx>

For information on contacting Overland Technical Support, see our [Contact Us](#) web page:

<http://docs.overlandstorage.com/support>

