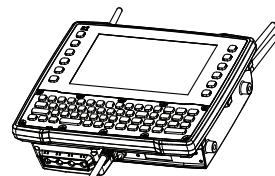
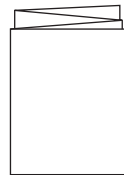


CONTENTS OF THE BOX

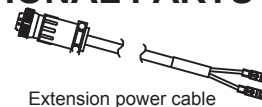


The VH10



This guide and any additional documentation (dependent on order)

OPTIONAL PARTS



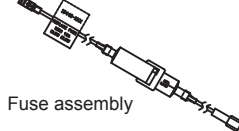
Extension power cable



Extension wire



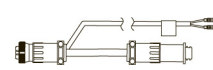
Diode/choke assembly
DO NOT USE



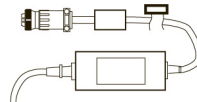
Fuse assembly



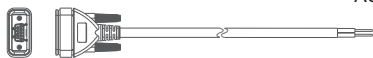
Magmount and remote external antenna



Adaptor cable with lines for ignition switch



AC power adaptor



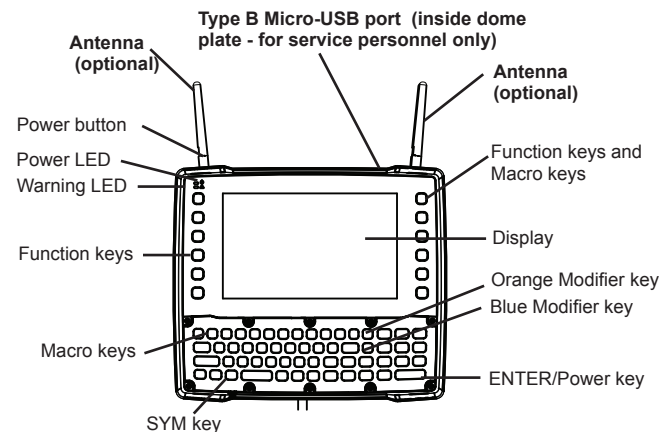
DB9 screen blanking cable

Cable kit CA1220 includes an extension power cable with additional lines to connect to the Ignition Switch.
Cable kit CA1210 includes an extension power cable without lines for the Ignition Switch.

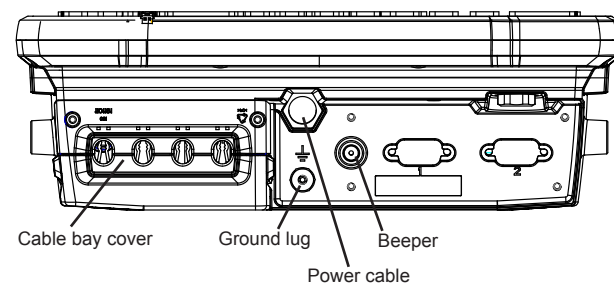
Mounting hardware is packed separately, according to your order.

VH10 FEATURES

FRONT

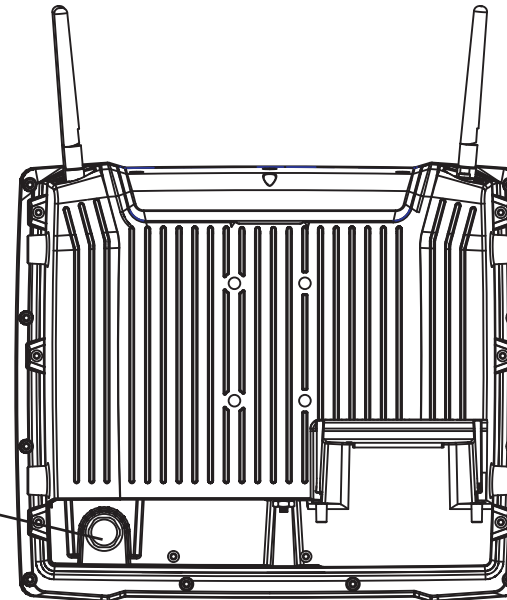


BOTTOM

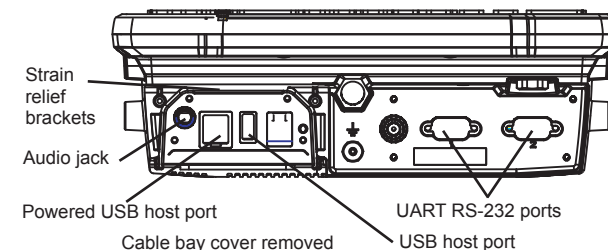


Unused ports should be covered with dust caps.

BACK

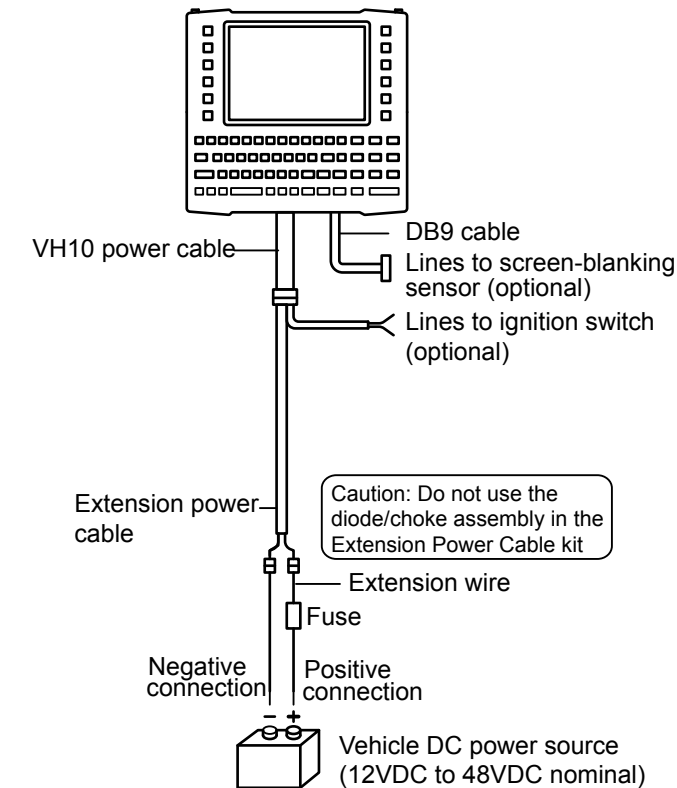


PORTS



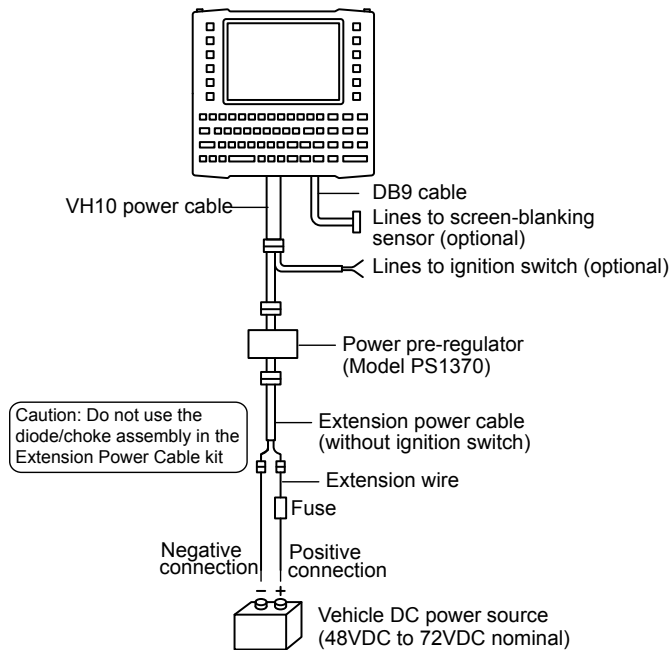
VEHICLE DC SUPPLY CONNECTIONS

Without power pre-regulator



VEHICLE DC SUPPLY CONNECTIONS

With power pre-regulator

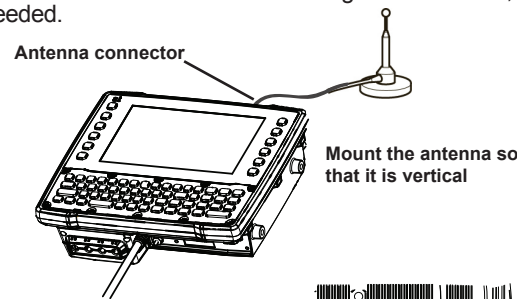


GETTING STARTED

- 1 Attach the mount to the VH10 and to the vehicle. Refer to the mounting instructions in the VH10 Vehicle-Mount Computer User Manual, PN 8000275.
- 2 Position the VH10 in the vehicle.

- 3 Narrowband radio: Attach the antenna, following the instructions on the package.

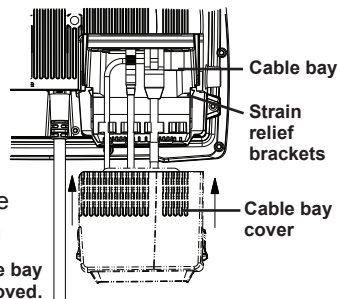
Wi-Fi radio: Connect the external magmount antenna, if needed.



- 4 Connect peripherals to the VH10, placing their cables into the strain relief brackets inside the cable bay. Then replace the cover.

CAUTION: Do not use tools to secure connector thumbscrews. Only tighten by hand.

Bottom of VH10 with cable bay cover removed.



- 5 Connect the VH10 to the vehicle DC supply.
- 6 To power the unit **on** or **off**, press the **Power** button located at the top of the unit.
- 7 Calibrate the touchscreen, if necessary.
- 8 Configure the radio, software, and peripherals. Refer to the VH10 Vehicle-Mount Computer User Manual, PN 8000275.

This guide covers the following models:

- 8516/VH10
- 8516N/VH10N

Zebra reserves the right to make changes to any product to improve reliability, function, or design.

Zebra does not assume any product liability arising out of, or in connection with, the application or use of any product, circuit, or application described herein.

No license is granted, either expressly or by implication, estoppel, or otherwise under any patent right or patent, covering or relating to any combination, system, apparatus, machine, material, method, or process in which Zebra products might be used. An implied license exists only for equipment, circuit, and subsystems contained in Zebra Products.

Warranty

For the complete Zebra hardware product warranty statement, go to: <http://www.zebra.com/warranty>



Zebra Technologies Corporation
Lincolnshire, IL, U.S.A.
<http://www.zebra.com>

Zebra and the stylized Zebra head are trademarks of ZIH Corp., registered in many jurisdictions worldwide. All other trademarks are the property of their respective owners.

© 2016 Symbol Technologies, LLC



8000282-003 Rev. A March 2016

VH10 VEHICLE-MOUNT COMPUTER

Quick Start Guide