

# VFS-Q

Freestanding monitor desk mount  
for four/three/two/one monitors

**Elegant yet durable solution for mounting four monitors of up to 26.5lb each.** It is suitable for flat and curved monitors and includes a free-standing base. It can be converted to support triple, dual or a single display.



## Set & Forget desk mounting solutions



75 x 75  
100 x 100



Flat: 26.5lb  
Curved: 13.5lb\*

\*when mounting 4 displays

### Ideal for:

- 4 x flat or curved displays up to 32"\* with 16:9 aspect ratio, R1500 or R1800 for seamless curvature
- 3 x displays in a 1 x 2 "pyramid" configuration
- 2 x flat screen displays up to 43" in a portrait configuration
- 1 x flat screen up to 43" in a landscape or portrait configuration

Viewing angle  
control via ball joint  
mechanism of 20°  
in any direction

Display orientation  
landscape to portrait 360°  
rotation

Advanced cable  
management

Material  
100% recyclable lightweight  
yet durable aluminium



Tool-free  
independent display  
position adjustment  
with QuickShift™ lever

Quick display release  
mechanism for easy  
installation

Display height  
can be set to individual  
requirements at the time  
of installation

Freestanding unit  
can be moved around easily.  
Optional bolt through kit  
available (AC-GC, sold separately)

\* Please check the physical width of your displays (maximum allowed combined width is 57.32", height - 35.44")

**10 year warranty**



## VFS-Q

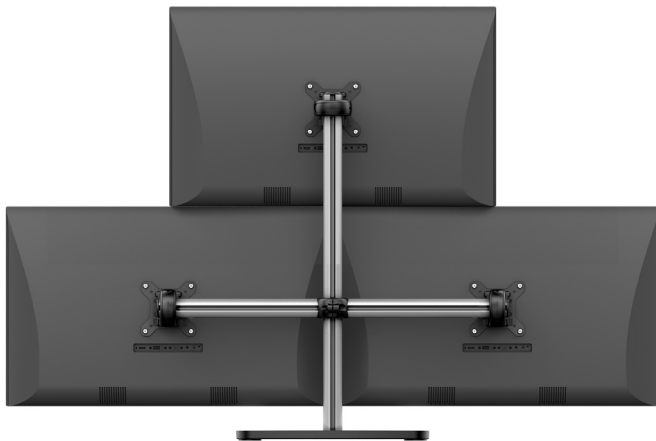
Indicative position of 4 x 32" R1800 curved monitors, 16:9\*



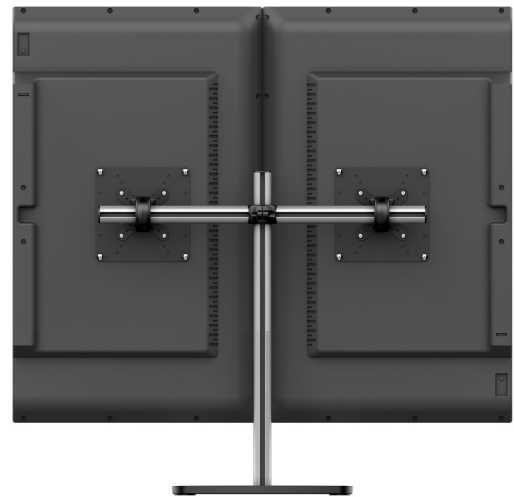
Indicative position of 4 x 32" flat monitors, 16:9\*



3 x 32" flat monitors, 16:9\* in a "pyramid" configuration



2 x 43" flat monitors, 16:9\* in a portrait orientation



VFS-Q can support monitors up to 43" 16:9 in a single display landscape or portrait orientation.

The crossbar can be replaced with any of the supplied VESA heads & attached directly to the vertical post.

\* Please check the physical width of your displays (maximum allowed combined width is 57.32", height - 35.44")

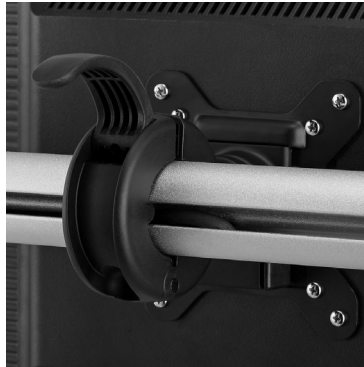
# Set & Forget desk mounting solutions



## VFS-Q



Quick display release mechanism for easy installation.



Tool-free independent display position adjustment with QuickShift™ lever.



Advanced cable management.

### Grommet Clamp AC-GC (sold separately)



Can be used as a bolt through option or fitted into a grommet hole (2.36"-3.15" in diameter).

### Freestanding base (included)



Doesn't require desk fixing.  
Freestanding base: 16.6" x 12".



Atdec Uncover™ is where our infinite mounting possibilities become your specific mounting solutions.



Call us on 888 303 4252 to discuss your next project or visit [atdec.com/workspace](http://atdec.com/workspace)