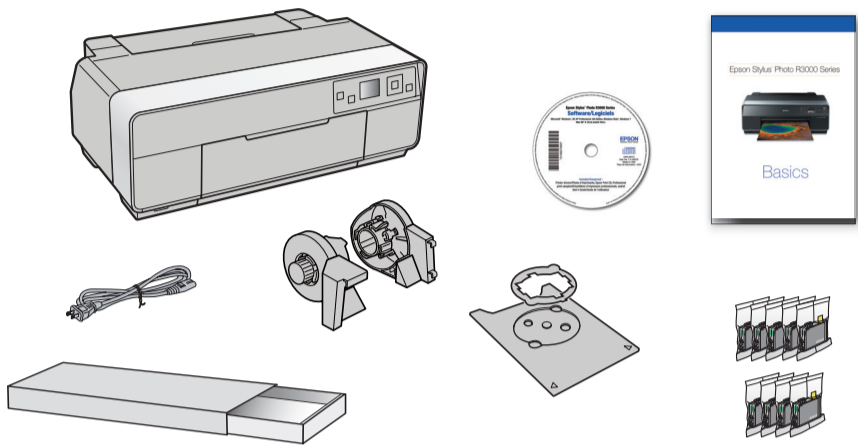


# Start Here

## Epson Stylus® Photo R3000

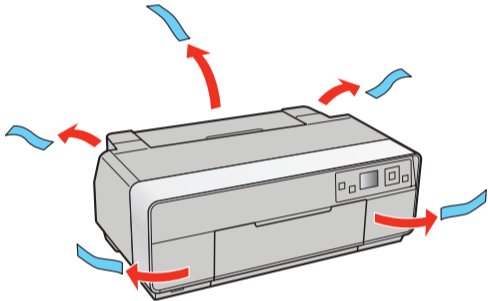
Read these instructions before using your product.

### 1 Unpack

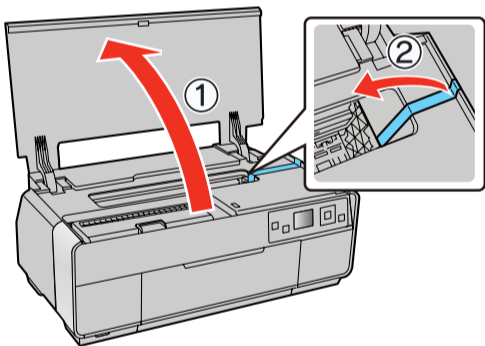


**Caution:** Do not open ink cartridge packages until you are ready to install the ink. Cartridges are vacuum packed to maintain reliability.

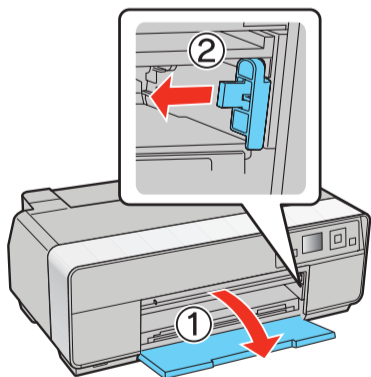
- 1 Remove all protective materials.



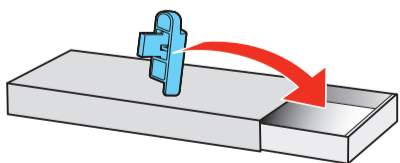
- 2 Open the top cover and remove any tape inside.



- 3 Open the front cover and remove the transportation lock.

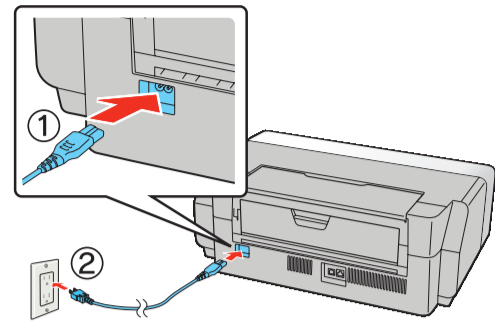


**Tip:** Keep the transportation lock in the accessories box. You can also use the accessories box to store your printer manual and spare ink cartridges.



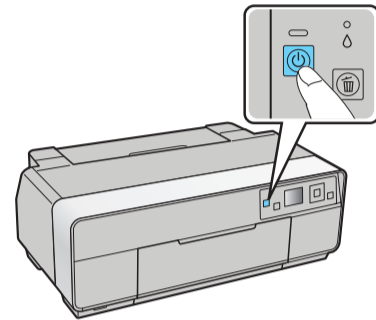
### 2 Turn on

- 1 Connect the power cable.



**Caution:** Do not connect to your computer yet.

- 2 Press the power button.

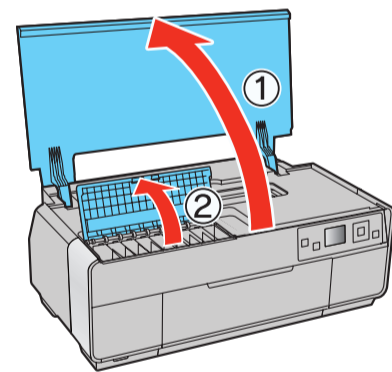


- 3 Select your language. (Press OK for English.)  
To change the language, press ▲ or ▼ to select it, then press OK.

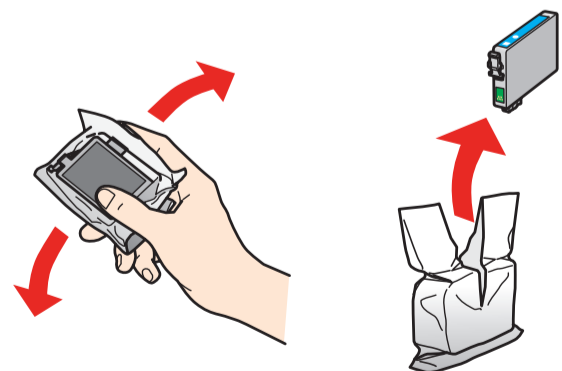


### 3 Install ink cartridges

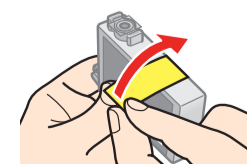
- 1 Open the printer cover, then open the ink cartridge cover.



- 2 Shake the ink cartridges gently 4 or 5 times, then unpack them.



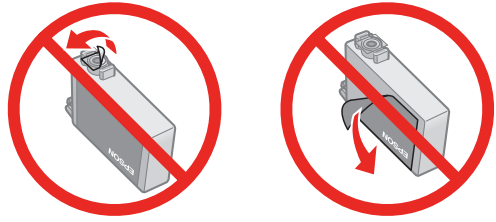
- 3 Remove only the yellow tape from each cartridge.



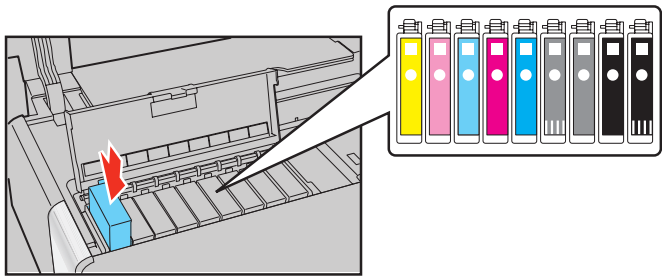
\*412036900\*

**EPSON**  
EXCEED YOUR VISION

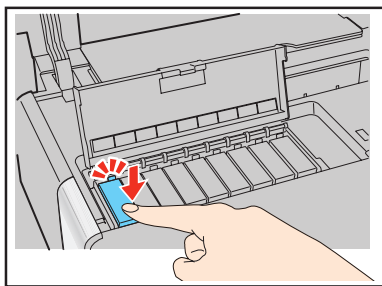
**Caution:** Don't remove any other seals or the cartridges may leak.



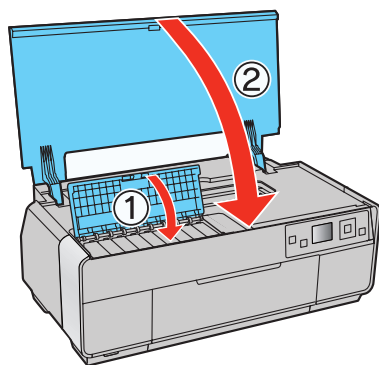
**4** Insert the cartridges in the holder for each color.



**5** Press the cartridges down until they click.



**6** Close the cartridge cover, then close the printer cover.



**7** The printer begins priming the ink delivery system. This takes about 10 minutes. Do not turn off the printer, load paper, or open any covers until the process is complete.

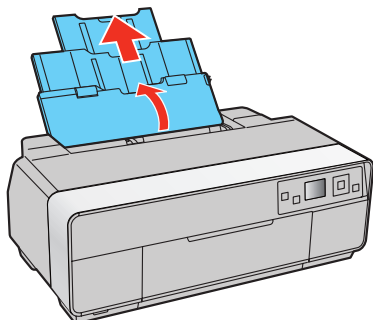
**Caution:** Don't turn off the printer while it is priming or you'll waste ink.

## 4 Load paper

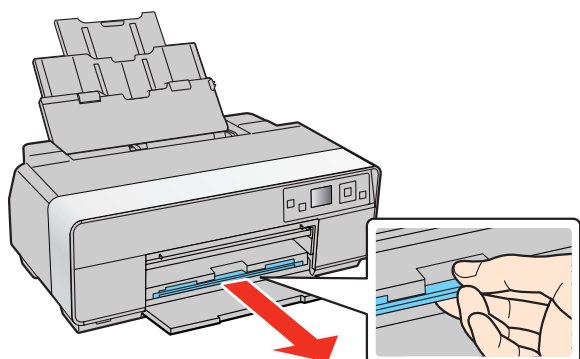
### Sheet feeder

You can load plain paper, and most glossy and matte papers, in the sheet feeder.

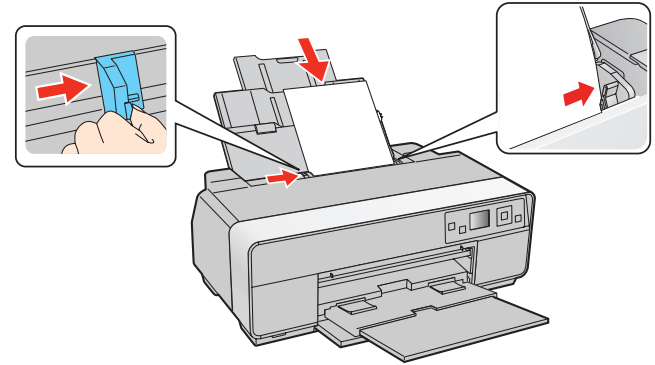
**1** Open the paper support and pull up the extensions.



**2** Open the front cover, then extend the output tray.



**3** Load paper against the right edge and behind the tab. Then press the button on the edge guide and slide it to the edge of the paper.



**Note:** Don't load the paper sideways. Always load it short edge first.



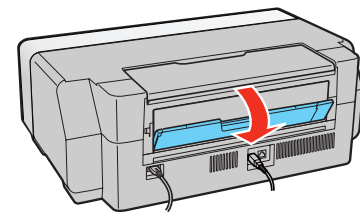
### Front manual feed tray

You can print on these fine art media using the front manual feed tray:

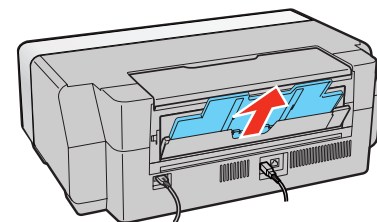
- Epson Velvet Fine Art Paper
- Epson Watercolor Paper Radiant White
- Epson UltraSmooth® Fine Art Paper
- Epson Exhibition Fiber Paper
- Epson Hot Press Bright
- Epson Hot Press Natural
- Epson Cold Press Bright
- Epson Cold Press Natural
- PremierArt™ Matte Scrapbook Photo Paper for Epson

**Note:** For instructions on loading roll paper, a CD or DVD, or thick media, see the printed *Basics* guide.

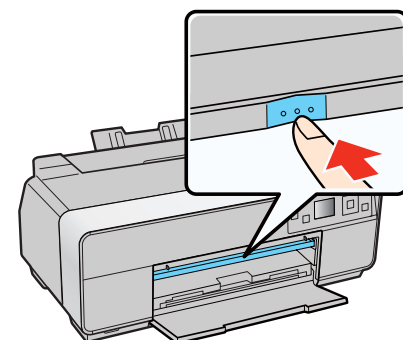
- 1** Remove any paper from the sheet feeder.
- 2** Open the rear support.



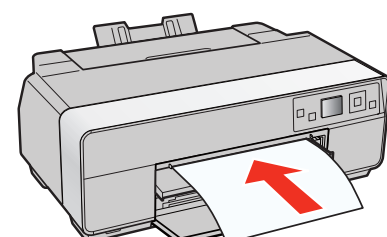
**3** Fully extend the rear support.



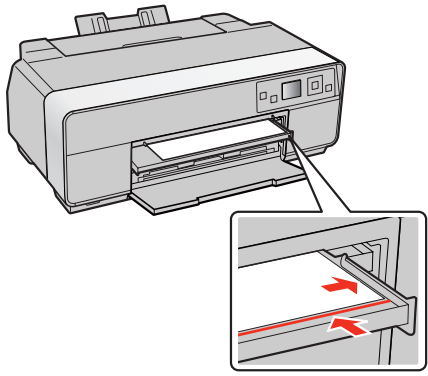
**4** Open the front cover, then push the center of the manual feed tray to extend it.



**5** Insert a single sheet of fine art media. Insert it short end first with the printable side face up.

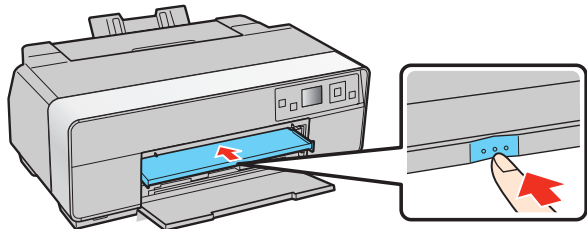


- 6** Feed the paper up to the line on the tray. Make sure the paper is flush against the right.

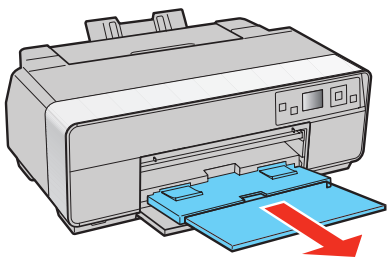


- 7** Press the OK button. The paper loads inside the printer.

- 8** When you see a message on the screen, close the manual feed tray. Push it in until it latches.



- 9** Extend the output tray.



## 5 Choose your connection

You can connect your printer to your existing network (wireless or wired) or directly to your computer using a USB cable (not included). See below for details on each connection method.

### Wireless Connection (802.11n)

You must install the software on every computer from which you want to print. For the first installation, we recommend using a USB cable (not included) to simplify wireless setup. After the printer is connected to the network, you will be prompted to remove the cable.

If you're using Mac OS® X 10.6 or don't have a USB cable, you will need to use the control panel on the printer to select wireless settings.

Make sure you know your network name (SSID) and network password:

- Network name \_\_\_\_\_
- Network password \_\_\_\_\_

If you don't have this information, contact the person who set up your network.

**Note:** For optimal print speed, your wireless router and/or laptop must conform to the 802.11n standard. Earlier standards (802.11a/b/g) are not supported.

### Direct USB Connection

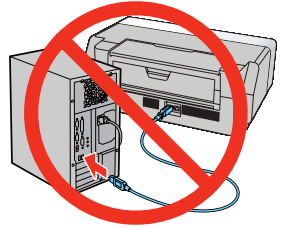
Make sure you have a USB cable (not included). Do not connect the printer to your computer until you're instructed to do so.

### Wired Ethernet® Connection

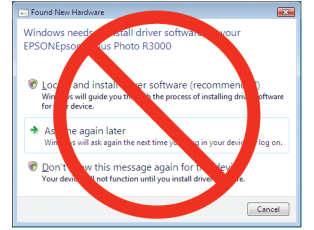
Make sure you have an Ethernet network cable (not included). You must install the software on every computer from which you want to print.

## 6 Install software

- 1** Make sure the printer is **NOT CONNECTED** to your computer.

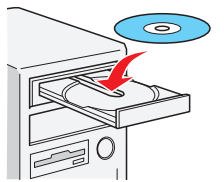


**Windows®:** If you see a Found New Hardware screen, click **Cancel** and disconnect the USB cable. You can't install your software that way.



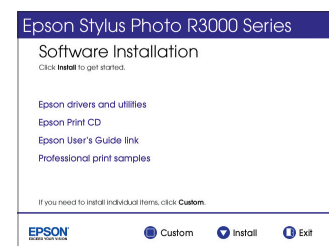
- 2** Insert your product CD.

**Windows:** If you see the AutoPlay window, click **Run Setup.exe**. If you see the User Account Control screen, click **Yes** or **Continue**.



**Macintosh®:** Double-click the  **Epson** icon.

- 3** **Windows:** Click **Install** and follow the on-screen instructions.



**Macintosh:** Select the items you want to install, then click **Install**.



**Tip:** Be sure to install the professional print samples. When you're done with the installation, you can test your printer's output in both color and black-and-white.

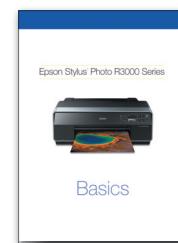
## Any questions?

### Network Setup

Follow the on-screen instructions when you insert your product CD. If you need additional help, see the printed *Basics* guide. You can also watch a video tutorial at: [epson.com/support/wireless](http://epson.com/support/wireless).

### Basics Guide

Basic instructions for loading paper, printing, maintenance, and network setup.

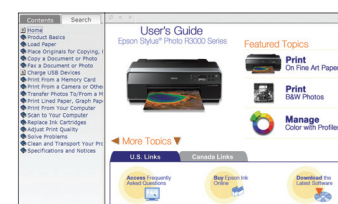


### On-screen help with your software

Select **Help** or **?** when you're using your software.

### User's Guide

Click the shortcut on your desktop (or in the Applications/Epson Software/Guide folder on Macintosh) to access the online *User's Guide*, software downloads, Epson Supplies Central<sup>SM</sup>, and more (requires an Internet connection).





## Epson Technical Support

Visit [epson.com/support/r3000](http://epson.com/support/r3000) (U.S.) or [epson.ca/support/r3000](http://epson.ca/support/r3000) (Canada) where you can download drivers, view manuals, get FAQs, or e-mail Epson.

You may also speak with a support specialist by calling:

- **U.S.:** (562) 276-7272, 6 AM to 8 PM, Pacific Time, Monday through Friday, and 7 AM to 4 PM Saturday
- **Canada:** (905) 709-2567, 6 AM to 8 PM, Pacific Time, Monday through Friday

Days and hours of support are subject to change without notice. Toll or long distance charges may apply.

## Any problems?

If you experience problems during setup, see below:

### Network setup was unsuccessful.

- Make sure you select the right network name.
- If you see a firewall alert message, click **Unblock** or **Allow** to let setup continue.
- If your network has security enabled, make sure you enter your network password (WEP key or WPA passphrase) correctly. If it has uppercase (ABC) or lowercase (abc) letters, make sure you enter them correctly.



Function buttons

Press ▲, ▼, ◀, or ▶ on the printer to highlight a letter or function button on the screen. Press to select it.

Use the function buttons to select uppercase (AB12), lowercase (ab12), symbols (!#%@), or spaces ( ), or to delete characters (←).

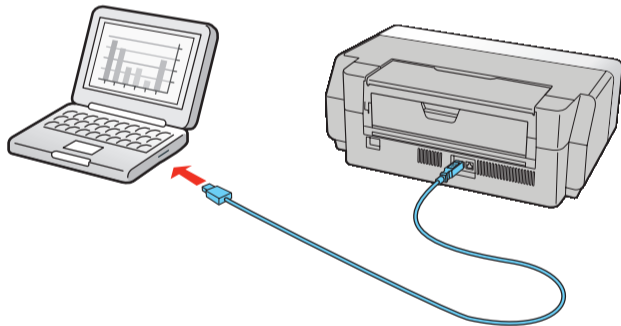
When you're finished, highlight Done and press OK.

### The printer's LCD screen is dark.

Press any button to wake the printer from sleep mode.

### Setup is unable to find my printer after connecting it with a USB cable.

Make sure it is securely connected as shown:



## Need paper and ink?

Try Epson paper with Epson UltraChrome K3® ink for professional results. For the right supplies at the right time, you can purchase them at Epson Supplies Central at [www.epson.com/ink3](http://www.epson.com/ink3) (U.S. sales) or [www.epson.ca](http://www.epson.ca) (Canadian sales). You can also purchase supplies from an Epson authorized reseller. To find the nearest one, call 800-GO-EPSON (800-463-7766).

DESIGNED *for* EXCELLENCE™  
Epson printers, ink and specialty papers.

### Genuine Epson Paper

Epson offers a wide variety of papers to meet your needs; visit Epson Supplies Central for more information.



#### Ultra Premium Photo Paper Luster

SIGNATURE WORTHY™

Instant-drying RC photo paper for vivid, lifelike images that rival those of traditional silver halide prints. Its semigloss "E" surface and 10 mil thickness provide a true photographic look and feel.

### Genuine Epson Inks



Look for the numbers below to find your cartridges. It's as easy as remembering your number!

EPSON ULTRACHROME K3 INK  
VIVID MAGENTA

### Epson Stylus Photo R3000 Series Ink Cartridges

Color	Part number
Light Light Black	157
Light Black	157
Photo Black	157
Matte Black	157
Vivid Light Magenta	157
Vivid Magenta	157
Light Cyan	157
Cyan	157
Yellow	157

Epson, Epson Stylus, and Epson UltraChrome K3 are registered trademarks, Epson Exceed Your Vision is a registered logomark, and Supplies Central is a service mark of Seiko Epson Corporation.

Signature Worthy and UltraSmooth are registered trademarks and Designed for Excellence is a trademark of Epson America, Inc.

General Notice: Other product names used herein are for identification purposes only and may be trademarks of their respective owners. Epson disclaims any and all rights in those marks.

This information is subject to change without notice.

© 2010 Epson America, Inc. 11/10

Printed in XXXXX

CPD-28172R1