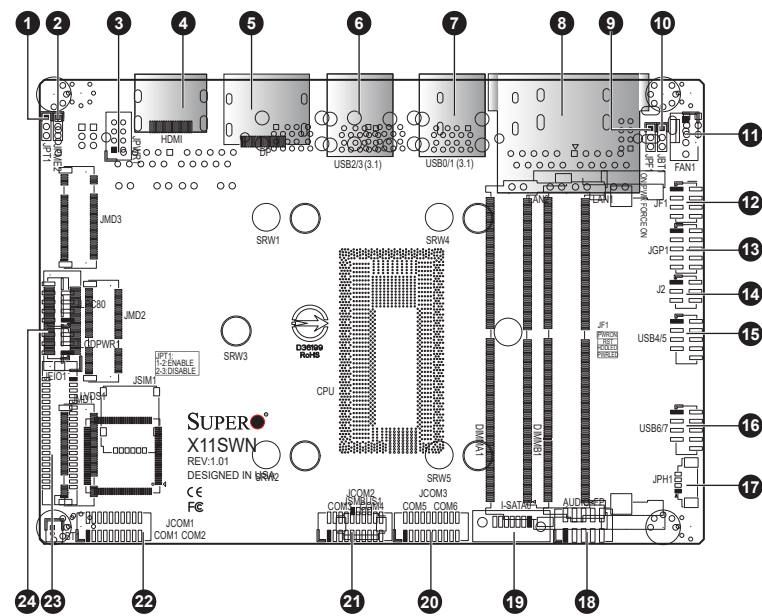


Board Layout



No.	Jumper & Description
1	JPT1: TPM Enable/Disable
2	JPME2: Manufacturing Mode Select
3	JPWR1: 24-pin ATX Power Input
4	HDMI: High Definition Multimedia Interface
5	DP: Dual-Mode Display Port (DP++)
6	USB2/3: Back Panel USB 3.1 Gen2 Ports
7	USB0/1: Back Panel USB 3.1 Gen2 Ports
8	LAN1/LAN2: Gigabit Ethernet Ports
9	JPF1: TPM Enable/Disable
10	JBT1: CMOS Clear
11	FAN1: System Fan Header
12	JF1: Front Control Panel Header
13	JGP1: General Purpose I/O Header
14	J2: SIM Detection
15	USB4/5: Front Accessible USB 2.0 Headers
16	USB6/7: Front Accessible USB 2.0 Headers
17	JPH1: 4-pin HDD Power Output Connector
18	AUDIO FP: Front Panel Audio Header (Mic-In/Line-Out)
19	I-SATA: SATA 6Gb/s (3.0) Port
20	JCOM3: COM5/COM6 Headers
21	JCOM2: COM3/COM4 Headers
22	JCOM1: COM1/COM2 Headers
23	LVDS1: Low-Voltage Differential Signaling (LVDS) Connector
24	JLCDPWR1: LVDS Panel Power Source Selection

System Features

Motherboards

X11SWN-H-WOHS/X11SWN-E-WOHS/
X11SWN-L-WOHS/X11SWN-C-WOHS

Chassis

CSE-E101-02

CPU

X11SWN-H-WOHS supports 8th Generation Intel[®] Core™ i7-8665UE Processor
X11SWN-E-WOHS supports 8th Generation Intel[®] Core™ i5-8365UE Processor
X11SWN-L-WOHS supports 8th Generation Intel[®] Core™ i3-8145UE Processor
X11SWN-C-WOHS supports Intel[®] Celeron 4305UE Processor

Input/Output

LAN: 2x 1GbE ports
Video: 1x Dual-Mode Display port, one HDMI 1.4 port
COM port: 4x COM ports
TPM: 1x onboard TPM 2.0 chip
USB: 4x USB 2.0 ports, 4x USB 3.1 Gen 2 ports
DIO: 1x DB-9 port
Miscellaneous: 1x HD Audio microphone-in port, 1x headphone-out port (optional)

Cooling

Fanless design

Memory

Supports up to 64GB of non-ECC SO-DIMM DDR4 2400 MHz in two memory slots.
The E100-9W-C supports 2133 MHz.

Expansion Slots

1x M.2 B-Key 3042/2242/2280 (SATA 6Gb/s / USB3 / USB2) with Nano SIM holder
1x M.2 E-Key 2230 (PCI-E x1 / USB2 / CNVi)
1x M.2 M-Key 2242/2280 (PCI-E 3.0 x4, SATA Gen3 x1) NVMe support

Power

Lockable 12V DC 60W power adapter (system supports 12V to 24V DC wide power range input)

Form Factor

3.5" SBC small form factor (4"x5.75")

Dimensions

(WxHxD) 7.68" x 5.94" x 1.73" in. (195 x 151 x 44 mm)

Caution

⚠ SAFETY INFORMATION

IMPORTANT: See installation instructions and safety warning before connecting system to power supply.
http://www.supermicro.com/about/policies/safety_information.cfm

⚠ WARNING:

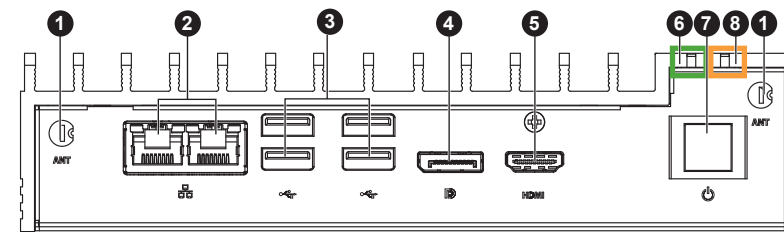
To reduce risk of electric shock/damage to equipment, disconnect power from server by disconnecting all power cords from electrical outlets.
If any CPU socket empty, install protective plastic CPU cap.

⚠ WARNING:

Always be sure all power supplies for this system have the same power output.
If mixed power supplies are installed, the system will not operate.

For more information go to: <http://www.supermicro.com/support>

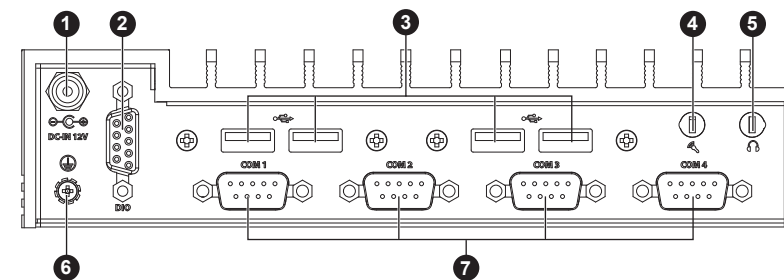
Front View & Interface



Front Chassis Features

Item	Features	Description
1	Antenna Port	2x antenna ports
2	LAN Ports	2x Gigabit LAN ports
3	USB Ports	4x USB 3.1 Gen 2 ports
4	DP++	Display port
5	HDMI Port	HDMI port
6	Power LED	The Power LED indicates power is being supplied to the system (highlighted in green).
7	Power button	The main power switch applies or removes primary power from the power supply but maintains standby power.
8	HDD LED	The HDD LED indicates data is being written to the storage drives (highlighted in orange).

Front Features



Rear Chassis Features

Item	Features	Description
1	Power Input	Port used for the 60W DC power input
2	DIO	A rear mounted digital I/O port
3	USB	4x rear USB 2.0 Gen 2 ports
4	MIC	Port for a 2.5-mm microphone cable
5	Headphone	Port for a 2.5-mm headphone cable
6	Grounding Screw	Screw used for attaching an electrical grounding wire
7	COM	4x COM ports

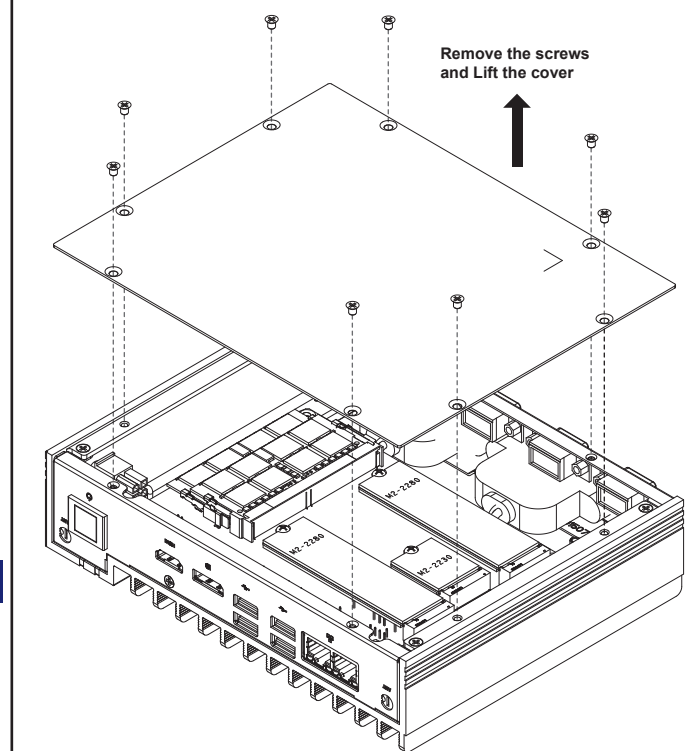
Beep (POST) Codes

Beep Code	Description
1 beep	C ircuitry has been reset (Ready to power up)
5 short, 1 long	No memory detected in system
5 long, 2 short	Video adapter missing or with faulty memory
1 long continuous	System overheat condition

Accessing the System

Removing the Chassis Cover Removing the Bottom Cover

1. Remove power from the system as described in Section 2.1.
2. Remove the eight screws that hold the cover in place.
3. Lift the cover up and off the chassis.



Mounting the Chassis

Installing the Mounting Brackets

1. Turn the chassis over to the bottom side.
2. Decide whether the bracket mounting holes will face outwards or inwards.
3. The mounting bracket supports two screw alignments. Decide which screw holes will be used.
4. Align the screw holes on the mounting bracket with the screw holes on the chassis.
5. Install two screws.
6. Repeat on the other mounting bracket.

