

StarView USB KVM Switch

4 Port StarView USB KVM Switch With Audio

SV431USBAE

Instruction Manual



Actual product may vary from photo

STARVIEW

StarTech.com
Making hard-to-find easy!

FCC Compliance Statement

This equipment has been tested and found to comply with the limits for a Class B digital device, pursuant to part 15 of the FCC Rules. These limits are designed to provide reasonable protection against harmful interference in a residential installation. This equipment generates, uses and can radiate radio frequency energy and, if not installed and used in accordance with the instructions, may cause harmful interference to radio communications. However, there is no guarantee that interference will not occur in a particular installation. If this equipment does cause harmful interference to radio or television reception, which can be determined by turning the equipment off and on, the user is encouraged to try to correct the interference by one or more of the following measures:

- Reorient or relocate the receiving antenna.
- Increase the separation between the equipment and receiver.
- Connect the equipment into an outlet on a circuit different from that to which the receiver is connected.
- Consult the dealer or an experienced radio/TV technician for help.

Use of Trademarks, Registered Trademarks, and other Protected Names and Symbols

This manual may make reference to trademarks, registered trademarks, and other protected names and/or symbols of third-party companies not related in any way to StarTech.com. Where they occur these references are for illustrative purposes only and do not represent an endorsement of a product or service by StarTech.com, or an endorsement of the product(s) to which this manual applies by the third-party company in question. Regardless of any direct acknowledgement elsewhere in the body of this document, StarTech.com hereby acknowledges that all trademarks, registered trademarks, service marks, and other protected names and/or symbols contained in this manual and related documents are the property of their respective holders.

Table of Contents

Introduction	1
Features	1
System Requirements: Console Side	1
System Requirements: Computer Side	1
Package Contents	1
Installation	2
Console Connection	2
Connecting Slave Computers	3
Operation	3
Front Panel	3
Auto Scan	3
Optional: Rack Mount Installation	4
Specifications	5
Technical Support	5
Warranty Information	5

Introduction

Thank you for purchasing a StarTech.com 4 port USB KVM Switch with Audio. Providing simple, centralized control of up to 4 computers from a single display and USB peripheral set (Keyboard and Mouse), SV431USBAE supports audio switching and USB device sharing between connected computers, providing rich multimedia capability and cost-effectiveness.

Features

- Audio switching with microphone and speaker connectivity
- Auto-scan function automatically selects computer sequentially
- Compatible with all USB supported Operating Systems
- Supports resolutions up to 1920x1440 pixels
- Integrated USB 2.0 hub allows you to share up to three high-speed USB devices between computers

System requirements: Console Side

- One VGA, SVGA or Multisync monitor
- One USB keyboard
- One USB mouse

System requirements: Computer Side

- One HDB15 male-to-female VGA cable for monitor
- One USB A-B cable with Type-A and Type-B plug for USB devices

Package contents:

This package should contain:

- 1 X 4 Port StarView USB KVM Switch With Audio
- 1 X Power Adapter 5V DC 2.0A
- 1 X Instruction Manual

Installation

PC BIOS Notice: The following BIOS setup changes are necessary for **PC users** but are not required for Mac users:



- 1) In **STANDARD CMOS**, set **HALT ON ERROR** to **ALL BUT KEYBOARD**.
- 2) In **PNP AND PCI SETUP**, set **PNP OS INSTALLED** to **YES** and set the **USB IRQ** to **ENABLED**.



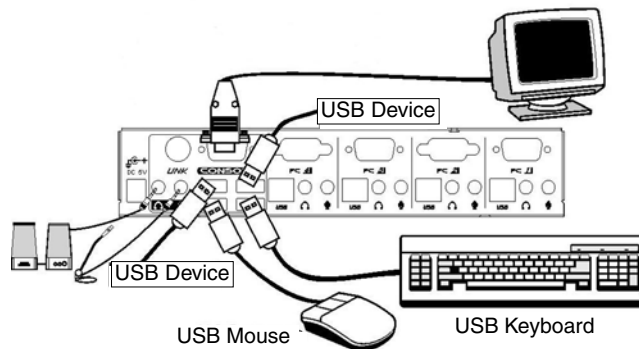
Please note: SV431USBAE is capable of switching between computers while maintaining USB mouse and keyboard control. If you plan to share other peripherals such as a CCD camera, printer or scanner, you must shut down the corresponding driver on the computer from which KVM control is being switched.

Because port switching is equivalent to unplugging the USB cable from one computer and plugging it in on another, some USB drivers continuously check attached USB peripherals and do not accept plug and play functionality.

Console Connection

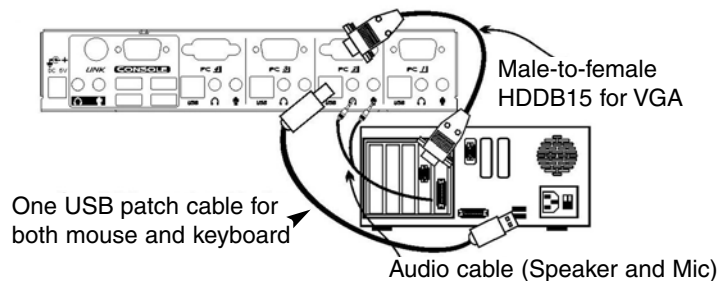
Before installation, please ensure that all devices and computers to be connected to the KVM Switch have been turned off.

- 1) Connect the monitor that will be used to the **Console** VGA port on the rear panel of SV431USBAE.
- 2) Connect a USB keyboard and a USB mouse to any two of the Console USB ports as shown below:



Connecting Slave Computers

- 1) Connect the VGA port located on the rear panel of SV431USBAE to the VGA port provided by the video connection on the desired computer, using an HDB15 male-to-female cable. Please note the PC Port number, for steps 2 and 3.
- 2) Using a USB A-B Cable, connect the USB port that corresponds with the PC port used in step 1, to the USB port on the corresponding computer, as shown below.
- 3) **Optional:** Using an audio cable (Speaker and Mic), connect the Speaker and Mic ports provided by the PC port used in step 1 on SV431USBAE to the Speaker and Mic ports located on the computer.



- 4) Repeat steps 1-4 as necessary for each computer you wish to connect. Once all computers have been connected, you can turn on all devices and computers.

Operation

Front Panel

1. **Online** and **Selected** LEDs: When the LED turns green, the connected computer is powered on. When a computer is selected, the corresponding (red) LED will illuminate.
2. **Pushbuttons:** Each computer has a button associated with it on the front panel for selection.

Auto Scan

Auto Scan automatically scans through the connected computers individually, in a fixed interval.

Please note: Keyboard and Mouse are not operable during Auto Scan.

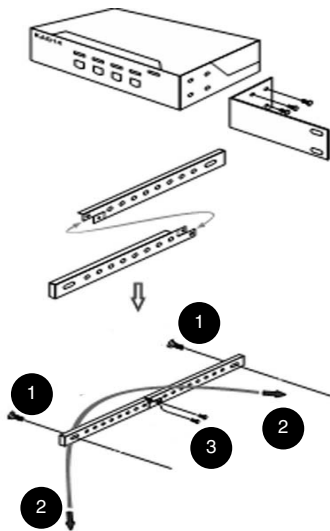
To activate Auto Scan, press down the **3** and **4** buttons (on the front panel) simultaneously. To exit Auto Scan, tap any one of the pushbuttons.

To change the Scan Time interval, press both front panel buttons **1** and **2** simultaneously.

The switch will beep 1, 2, 3 or 4 times for Scan Times of 3, 8, 15 or 30 seconds respectively.

Optional: Rack Mount Installation

The following illustration depicts how to attach optional mount brackets and cable support for rack mounting SV431USBAE. To do so, you may wish to use SV431RACK (please see Accessory Products from StarTech.com for further information).



- 1 To the Rack Cabinet back post
- 2 USB or Monitor cables to switch
- 3 Two screws secure the cable support

Specifications

Computers supported	4
Front panel push buttons	4
Hot plug-and-play supported	Yes
Automatic scan interval	3, 8, 15, 30 seconds
Cable Length (Max)	30M(100ft) for VGA 5M(15ft) for USB
Computer ON-LINE LED	4
Computer selected LED	4
Resolution supported	1920 X 1440, DDC2B
Computer peripheral connector Monitor	USB Type B x 4 HDB-15 male x 4 SPEAKER Jack x 4 MIC Jack x 4
Console peripheral connector monitor	USB Type A x 4 HDB-15 female x 1 SPEAKER Jack x 1 MIC Jack x 1
Weight (g) (oz.)	1000 35.27
H x W x D (mm) (in.)	44 x 220 x 130 1.7 x 8.7 x 5.1

Technical Support

StarTech.com's lifetime technical support is an integral part of our commitment to provide industry-leading solutions. If you ever need help with your product, visit www.startech.com/support and access our comprehensive selection of online tools, documentation, and downloads.

Warranty Information

This product is backed by a three-year warranty. In addition, StarTech.com warrants its products against defects in materials and workmanship for the periods noted, following the initial date of purchase. During this period, the products may be returned for repair, or replacement with equivalent products at our discretion. The warranty covers parts and labor costs only. StarTech.com does not warrant its products from defects or damages arising from misuse, abuse, alteration, or normal wear and tear.

Limitation of Liability

In no event shall the liability of StarTech.com Ltd. and StarTech.com USA LLP (or their officers, directors, employees or agents) for any damages (whether direct or indirect, special, punitive, incidental, consequential, or otherwise), loss of profits, loss of business, or any pecuniary loss, arising out of or related to the use of the product exceed the actual price paid for the product. Some states do not allow the exclusion or limitation of incidental or consequential damages. If such laws apply, the limitations or exclusions contained in this statement may not apply to you.

About StarTech.com

StarTech.com is “The Professionals’ Source for Hard-to-Find Computer Parts”. Since 1985, we have been providing IT professionals with the quality products they need to complete their solutions. We offer an unmatched selection of computer parts, cables, server management solutions and A/V products and serve a worldwide market through our locations in the United States, Canada, the United Kingdom and Taiwan.

Visit **www.startech.com** for complete information about all our products and to access exclusive interactive tools such as the Parts Finder and the KVM Reference Guide. StarTech.com makes it easy to complete almost any IT solution. Find out for yourself why our products lead the industry in performance, support, and value.