

## Dual-Monitor Wall Mount

ARMDUALWALL



\*actual product may vary from photos

FR: Guide de l'utilisateur - [fr.startech.com](http://fr.startech.com)  
DE: Bedienungsanleitung - [de.startech.com](http://de.startech.com)  
ES: Guía del usuario - [es.startech.com](http://es.startech.com)  
NL: Gebruiksaanwijzing - [nl.startech.com](http://nl.startech.com)  
PT: Guia do usuário - [pt.startech.com](http://pt.startech.com)  
IT: Guida per l'uso - [it.startech.com](http://it.startech.com)

For the latest information, technical specifications, and support for this product, please visit [www.StarTech.com/ARMDUALWALL](http://www.StarTech.com/ARMDUALWALL).

## **Use of Trademarks, Registered Trademarks, and other Protected Names and Symbols**

PHILLIPS® is a registered trademark of Phillips Screw Company in the United States or other countries.

This manual may make reference to trademarks, registered trademarks, and other protected names and/or symbols of third-party companies not related in any way to StarTech.com. Where they occur these references are for illustrative purposes only and do not represent an endorsement of a product or service by StarTech.com, or an endorsement of the product(s) to which this manual applies by the third-party company in question. Regardless of any direct acknowledgement elsewhere in the body of this document, StarTech.com hereby acknowledges that all trademarks, registered trademarks, service marks, and other protected names and/or symbols contained in this manual and related documents are the property of their respective holders.

## Warning statements

Make sure that you assemble this product according to the instructions.

Read the entire manual and make sure that you understand the instructions before you start to assemble and use this product.

Do not exceed the weight capacity of this product. Overloading this product might result in injury or property damage. This product can support the following weight: Up to 5 kg (11 lb.) per monitor mount.

When you assemble this product, do not over-tighten the screws. If you encounter resistance while you are tightening the screws, stop tightening.

Wall structures vary, and it is important to make sure that the type of wall structure and mounting hardware that you are using will properly support the mounted equipment. Failure to do so might result in personal injury and/or equipment damage. The wall structure should be capable of supporting at least four times the weight of the mounted equipment.

The mounting hardware included with this product might not be adequate for some wall structures. If you lack the necessary expertise to attach this product to the wall structure that you're using, contact a construction professional to install the wall mount or to provide specific mounting instructions for your wall structure.

## Warnhinweise

Beachten Sie bei der Montage dieses Produkts die Montageanweisungen.

Bevor Sie dieses Produkt montieren und verwenden, lesen Sie das gesamte Handbuch und vergewissern Sie sich, dass Sie die Anweisungen verstanden haben.

Überschreiten Sie nicht die Tragkraft dieses Produkts. Ein Überladen dieses Produkts kann zu Verletzungen oder zur Beschädigung des Produkts führen. Dieses Produkt ist für folgendes Gewicht geeignet: 5 kg pro Monitor.

Achten Sie bei der Montage des Produkts darauf, die Schrauben nicht zu fest anzuziehen. Sobald Sie beim Anziehen der Schrauben auf Widerstand stoßen, stellen Sie das Anziehen ein.

Wandkonstruktionen können variieren, daher ist es wichtig sicherzustellen, dass die Art der Wandkonstruktion und das verwendete Montagezubehör zur ordnungsgemäßen Montage der Geräte geeignet sind. Andernfalls kann es zu Verletzungen und/oder zur Beschädigung des Produkts kommen. Die Wandkonstruktion sollte mindestens das vierfache Gewicht der montierten Geräte tragen können.

Das mitgelieferte Montagematerial ist möglicherweise nicht für jede Wand geeignet. Wenn Ihnen die nötigen Fachkenntnisse zum Anbringen dieses Produkts an einer Wand fehlen, lassen Sie einen Fachmann den Wandhalter anbringen, oder lassen Sie sich von einem Fachmann Montageanweisungen für Ihre Wand erteilen.

## Waarschuwingen

Zorg dat u dit product volgens de instructies in elkaar zet.

Lees de gehele handleiding en zorg dat u de instructies begrijpt voordat u dit product in elkaar zet en gebruikt.

Overschrijd de maximale capaciteit van dit product niet. Overbelasting van dit product kan letsel of materiële schade veroorzaken. Dit product ondersteunt het volgende gewicht: 5 kg per monitor.

Draai de schroeven niet te strak vast wanneer u dit product in elkaar zet. Als u weerstand voelt tijdens het vastdraaien van de schroeven, stop dan.

Omdat wandstructuren verschillen, is het belangrijk dat u ervoor zorgt dat het type wandstructuur en het montagegereedschap die u gebruikt de gemonteerde apparatuur goed ondersteunen. Anders zou lichamelijk letsel en/of schade aan de apparatuur kunnen ontstaan. De wandstructuur moet voldoende zijn om tenminste vier keer het gewicht van de gemonteerde apparatuur te ondersteunen.

De bij dit product geleverde montageidelen kunnen niet geschikt zijn voor sommige wandstructuren. Als u onvoldoende kennis hebt om dit product aan de deur u gebruikte wandstructuur te bevestigen, neem dan contact op met een bouwvakende om de steun aan de muur te installeren of specifieke mount-structuur-instructies voor uw wandstructuur te geven.

## Varningsmeddelanden

Se till att du monterar produkten i enlighet med instruktionerna.

Läs hela manualen och se till att du förstår instruktionerna innan du börjar montera och använda produkten.

Overskrid inte produktens viktkapacitet. Överbelastning av produkten kan orsaka skada på person eller egendom. Denna produkt har stöd för följande vikt: 5 kg per skärm.

Dra inte åt skruvar för hårt när du monterar produkten. Om du måste ta i när du skruvar åt kan du sluta skruva åt.

Eftersom väggturstrukturer varierar är det viktigt att kontrollera att väggturstrukturer och monteringsutrustningen som du använder klarar av den monterade utrustningen. Om du inte gör det kan skada på person eller utrustning uppstå. Väggturstrukturer ska kunna klara av minst fyra gånger vikten av den monterade utrustningen.

Monteringsutrustningen som medföljer produkten kanske inte är lämplig för vissa väggturstrukturer. Om du saknar nödvändiga kunskaper för att fästa denna produkt på väggturstrukturer som du använder, kontakta en professionell konstruktör för att installera väggturmonteringen eller för att ge specifika monteringsinstruktioner för din väggturstruktur.

## 注意

必ず取扱説明書に従って本製品の組み立てを行って下さい。

最初に取扱説明書を最後まで読み、本製品の組み立て方をすべて理解してから組み立て作業を始め下さい。

本製品で定められた最大積載重量を超えないようにして下さい。最大積載重量をオーバーした場合、怪我をする恐れや機器破損の恐れがあります。本製品は、モニター1台あたり5kgまで支持できます。

本製品を組み立てる際、ネジを締めすぎないようにして下さい。ネジを締めすぎると手荒れや破損の恐れがあります。締めすぎを止めてください。

壁面の構造は建物によって異なります。壁面の構造や使用する取り付け金具が設置する装置を適切に支えられないかどうか、必ず確認してください。この注意を怠ると、怪我をする恐れや機器破損の恐れがあります。設置する装置の少なくとも4倍の重量に耐えられる壁面構造が必要となります。

## Instruction manual

## Mensagens de aviso

Certifique-se de que monta este produto de acordo com as instruções.

Leia todo o manual e certifique-se de que entende as instruções antes de começar a montar e a utilizar este produto.

Não exceda a capacidade de peso deste produto. Sobrecarregar este produto pode resultar em ferimentos ou danos no equipamento. Este produto pode suportar o seguinte peso: 5 kg por monitor.

Quando montar este produto, não aperte demasiado os parafusos. Se encontrar resistência enquanto aperta os parafusos, pare de apertar.

As estruturas de parede variam e é importante certificar-se de que o tipo de estrutura de parede e hardware de montagem que está a usar irá suportar devidamente o equipamento montado. O incumprimento pode resultar em ferimentos pessoais e/ou danos no equipamento. A estrutura de parede deve ser capaz de suportar pelo menos quatro vezes o peso do equipamento montado.

O hardware de montagem incluído com este produto pode não ser adequado para algumas estruturas de parede. Se não tiver o conhecimento necessário para fixar este produto à estrutura de parede que está a usar, contacte um profissional de construção para fazer a instalação em parede ou para fornecer instruções de montagem específicas para a sua estrutura de parede.

## Dichiarazioni di avvertenza

Assicurarsi di Assemblare il prodotto secondo le istruzioni.

Leggere l'intero manuale e assicurarsi di aver compreso tutte le istruzioni prima di iniziare ad assemblare e a utilizzare questo prodotto.

Non superare la capacità di carico del prodotto. Il sovraccarico del prodotto potrebbe causare danni o lesioni. Il prodotto è in grado di supportare i seguenti pesi: 5 kg per monitor.

Durante l'assemblaggio del prodotto, non stringere troppo le viti. Se si incontra resistenza mentre si stringono le viti, interrompere l'operazione.

La struttura dei muri può variare. È importante verificare che il tipo di struttura e gli accessori di montaggio utilizzati sorreggano senza problemi l'apparecchiatura montata. L'inosservanza di questo requisito potrebbe causare lesioni personali e/o danni all'apparecchiatura. La struttura del muro dovrebbe essere in grado di sostenere un peso fino a quattro volte superiore a quello dell'apparecchiatura montata.

L'hardware di montaggio incluso con il prodotto potrebbe non essere adeguato ad alcune strutture murarie. Se l'utente non dispone delle competenze necessarie per agganciare il prodotto alla struttura muraria in uso, dovrà contattare un professionista ed/oppure per installare il supporto a parete o ottenere istruzioni di montaggio per la struttura muraria in uso.

## Advertencias de uso

Asegúrese de ensamblar este producto según las instrucciones.

Lea todo el manual y asegúrese de haber comprendido bien las instrucciones antes de proceder con el ensamblaje y el uso de este producto.

Asegúrese de no exceder la capacidad de peso de este producto. La sobrecarga de este producto puede causar lesiones personales o daños en la propiedad. Este producto tiene la siguiente capacidad de carga: 5 kilogramos por monitor.

Cuando ensamble este producto, no apriete los tornillos más de lo debido. Si al apretar los tornillos siente resistencia, no apriete más.

Las estructuras de una pared pueden variar, por lo que es importante determinar con certeza el tipo de estructura de la pared y el hardware de montaje que se va a utilizar para soportar debidamente el equipo. De lo contrario, se pueden producir lesiones personales o daños del equipo. La estructura de la pared debe ser capaz de soportar al menos cuatro veces el peso del equipo instalado.

El hardware de montaje incluido con este producto puede no ser adecuado para algunas estructuras de pared. Si el usuario no tiene la experiencia suficiente para fijar este producto a la estructura de la pared correspondiente, póngase en contacto con un profesional de la construcción para instalar el soporte de pared o para que le proporcione las instrucciones específicas de montaje para su estructura de pared.

## Avertissements

Assemblez ce produit conformément aux instructions.

Lisez tout le manuel et assurez-vous que vous comprenez les instructions avant de commencer à assembler et utiliser ce produit.

Ne dépassez pas la capacité pondérale du produit. Une surcharge du produit peut entraîner des blessures ou des dommages matériels. Ce produit peut supporter de 5 kg par écran.

Ne serrez pas trop les vis lors de l'assemblage de ce produit. Si vous rencontrez une résistance lors du serrage des vis, cessez de serrer.

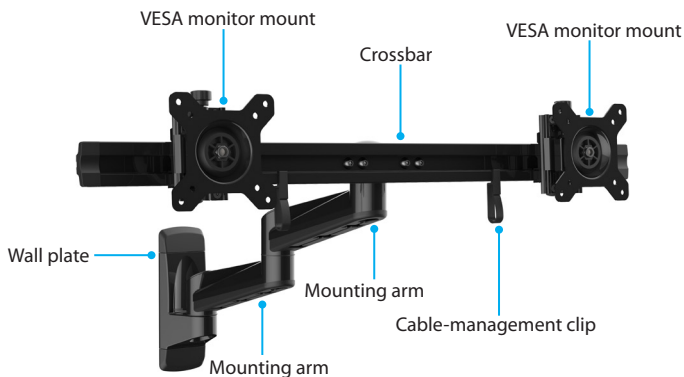
Les structures des murs varient. Vous devez impérativement vérifier que le type de mur et le matériel de fixation que vous utilisez permettent de soutenir correctement l'équipement. Dans le cas contraire, vous risquez de vous blesser ou d'endommager le matériel. La structure du mur doit pouvoir supporter au moins quatre fois le poids de l'équipement monté.

Le matériel de fixation inclus avec ce produit n'est pas forcément approprié pour toutes les structures de murs. Si vous ne disposez pas des compétences nécessaires pour installer ce produit au mur, contactez un professionnel afin qu'il installe le support mural ou qu'il vous fournisse les instructions de montage spécifiques à votre structure de mur.

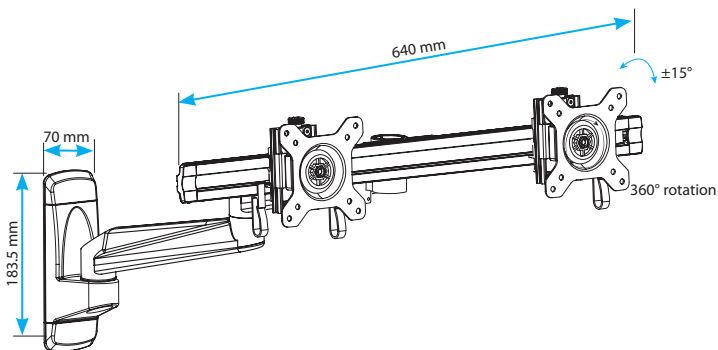
# Table of Contents

Warnings .....	i
<b>Product diagram .....</b>	<b>1</b>
<b>Product dimensions.....</b>	<b>1</b>
<b>Technical specifications .....</b>	<b>2</b>
<b>Package contents .....</b>	<b>3</b>
<b>Requirements .....</b>	<b>6</b>
<b>Installation .....</b>	<b>7</b>
Attach the wall plate to the wall.....	7
Attach the mounting arms .....	9
Attach the crossbar .....	12
Mount the monitors .....	14
Attach the VESA monitor mounts to the crossbar .....	15
Adjust the ARMDUALWALL.....	16
Organize your cables .....	17
<b>Technical support.....</b>	<b>18</b>
<b>Warranty information .....</b>	<b>18</b>

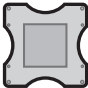





# Product diagram



# Product dimensions



# Technical specifications

Type of measurement	Measurement
 VESA	75x75 100x100
 RATED LOAD	5 kg (11 lb.) per monitor mount
 ROTATION	360°
 TILT	-15° to +15°
 SCREEN	Between 381 mm and 610 mm (15 in. and 24 in.)
 SWIVEL	180°

# Package contents

1



Wall plate  
Qty: One

2



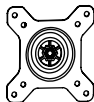
Plastic covers  
Qty: Two

3



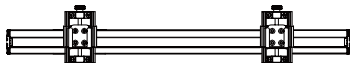
Mounting arms  
Qty: Two

4



VESA monitor mounts  
Qty: Two

5



Crossbar  
Qty: One

6



Crossbar cap  
Qty: One

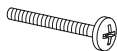
7



M4x12 mm screws

Qty: Eight

8



M4x30 mm screws

Qty: Eight

9



Spacers

Qty: Eight

10



Cable-management clips

Qty: Two

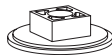
11



Hex key

Qty: One

12



Mounting-arm retainer

Qty: One



13



M8x16 mm screws  
Qty: Three

14



Mounting-arm washers  
Qty: Three

15



Mounting-arm caps  
Qty: Two

16



Wall-plate retainer  
Qty: One

17



Level  
Qty: One

18



M8x60 mm screws  
Qty: Four

19



Concrete anchors

Qty: Four

20



Washers

Qty: Four

21



Instruction manual

Qty: One

## Requirements

- Two monitors that are compatible with one of the VESA mounting hole patterns that ARMDUALWALL supports
- A Phillips type screwdriver

Requirements are subject to change. For the latest requirements, please visit [www.StarTech.com/ARMDUALWALL](http://www.StarTech.com/ARMDUALWALL).

# Installation

**Warning!** Make sure that the weight of the monitors doesn't exceed the weight capacity of this product. If you exceed the weight capacity, you might experience personal injury or damage to the product. This product can support up to 5 kg (11 lb.) per monitor mount.

## Attach the wall plate to the wall

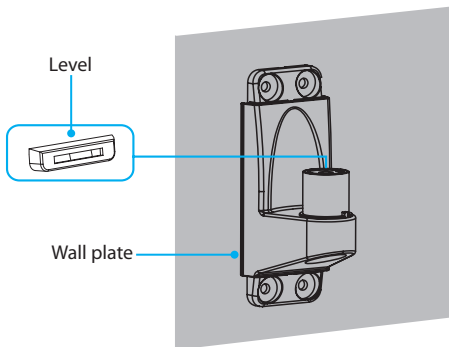
**Warning!** Wall structures vary, and it is important to make sure that the type of structure and mounting hardware that you are using will properly support the mounted equipment. Failure to do so may result in personal injury and/or equipment damage. The wall should be capable of supporting at least four times the weight of the mounted equipment.

**Warning!** The mounting hardware included with this product might not be adequate for some wall structures. If you lack the necessary expertise to attach this product to the wall that you are using, contact a construction professional to install the ARMDUALWALL or to provide specific mounting instructions for your wall.

**Note:** It may require two people to attach the wall plate to the wall.

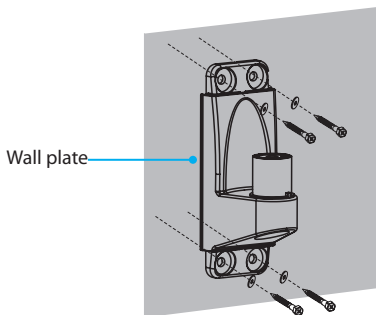
1. Position the wall plate where you want to hang the ARMDUALWALL and use the provided level to make sure that the wall plate is vertical. (*figure 1*)

*figure 1*



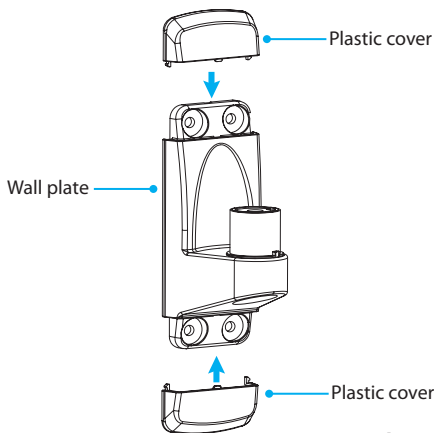
3. Use the four holes in the wall plate as a template to mark the wall.
4. Follow the appropriate steps for the type of wall that you're attaching the wall plate to and attach the wall plate to the wall. (figure 2)

figure 2



5. Slide the plastic covers over the ends of the wall plate. (figure 3)

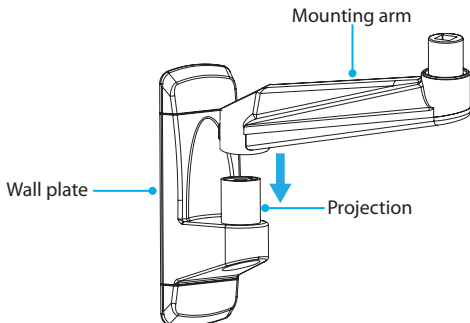
figure 3



## Attach the mounting arms

1. Place one of the mounting arms over the projection on the wall plate. (figure 4)

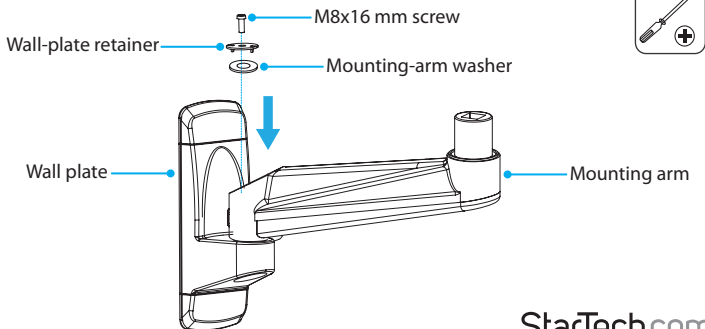
figure 4



2. Place a mounting-arm washer into the joint in the mounting arm.
3. Place the wall-plate retainer onto the mounting-arm washer.
4. Insert an M8x16 mm screw through the wall-plate retainer, mounting-arm washer, and into the mounting arm. (figure 5)
5. Use a Phillips type screwdriver to tighten the screw into place.

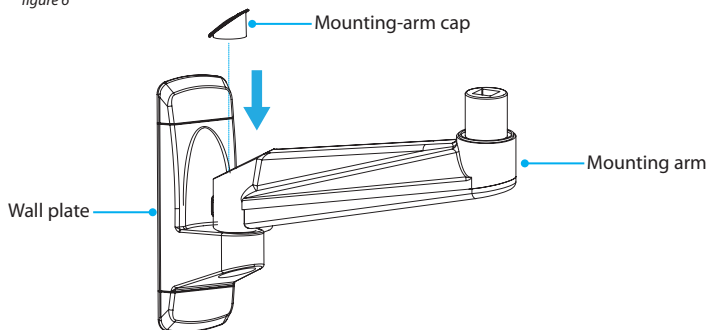
**Warning!** Do not over-tighten the screw. If you encounter resistance while you're tightening the screw, stop tightening.

figure 5



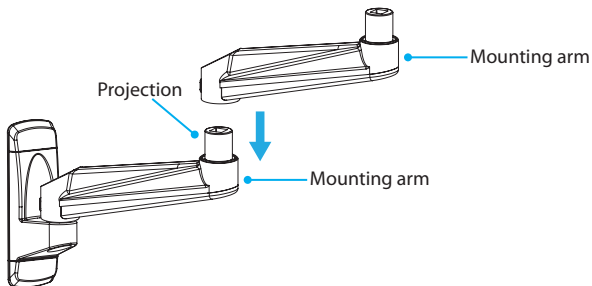
6. Snap one of the mounting-arm caps over the joint in the mounting arm. (figure 6)

figure 6



7. Place the second mounting arm over the projection in the other mounting arm. (figure 7)

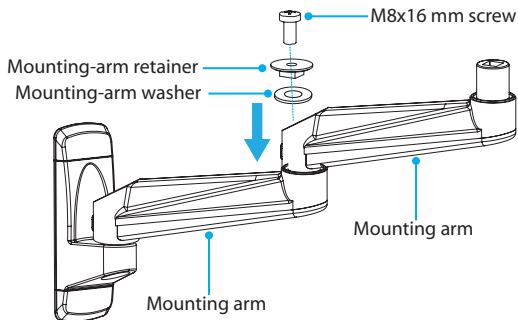
figure 7



8. Place a mounting-arm washer into the joint in the mounting arm.
9. Place the mounting-arm retainer over the mounting-arm washer.
10. Insert an M8x16 mm screw through the mounting-arm retainer, mounting-arm washer, and into the mounting arm. (*figure 8*)
11. Use a Phillips type screwdriver to tighten the screw into place.

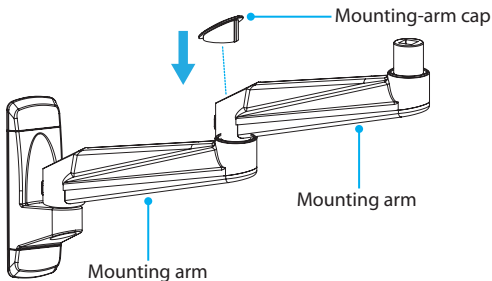
**Warning!** Do not over-tighten the screw. If you encounter resistance while you're tightening the screw, stop tightening.

*figure 8*



12. Snap the other mounting-arm cap over the joint in the mounting arm. (*figure 9*)

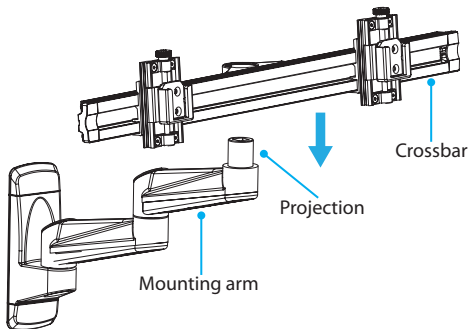
*figure 9*



## Attach the crossbar

1. Place the crossbar over the projection on the mounting arm. (figure 10)

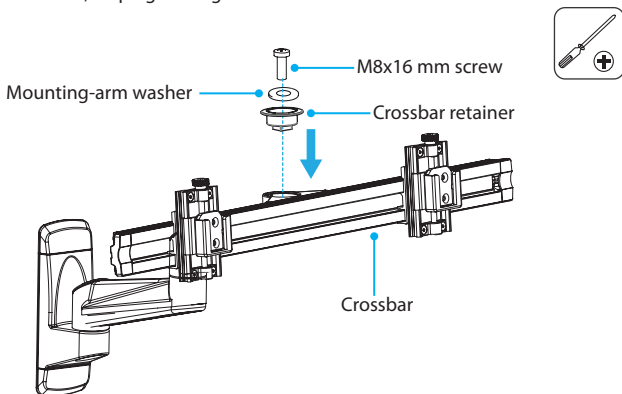
figure 10



2. Place the crossbar retainer into the crossbar.
3. Place a mounting-arm washer onto the crossbar retainer.
4. Insert an M8x16 mm screw through the washer, crossbar retainer, and into the crossbar. (figure 11)
5. Use a Phillips type screwdriver to tighten the screw into place.

**Warning!** Do not over-tighten the screw. If you encounter resistance while you're tightening the screw, stop tightening.

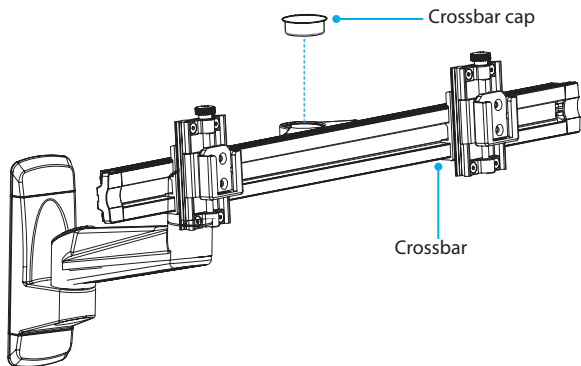
figure 11





4. Snap the crossbar cap into the crossbar. (figure 12)

figure 12



## Mount the monitors

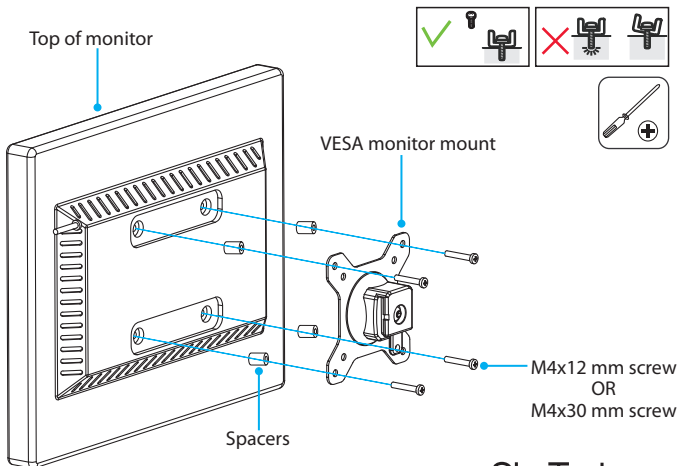
To accommodate different monitor designs, the ARMDUALWALL comes with two sets of screws of different lengths and diameters, and spacers.

1. To select the combination of mounting hardware to attach the VESA monitor mounts to the monitors, complete the following:
  - Determine the depth of the mounting holes on the monitor.
  - Determine the diameter of the mounting holes on the monitor.
2. If necessary, place the spacers over the mounting holes on the back of the monitor.
3. Line up the VESA monitor mount with the spacers or the mounting holes on the back of the monitor.
4. Insert the M4x12 mm screws or the M4x30 mm screws through the VESA monitor mount, the spacers, and into the back of the monitor. (figure 13)
5. Use a Phillips type screwdriver to tighten the screws.

**Warning!** Do not over-tighten the screws. If you encounter resistance while you're tightening the screws, stop tightening. Failure to do so could result in damage to the monitor.

6. Complete steps 1 to 5 to attach the second monitor.

figure 13



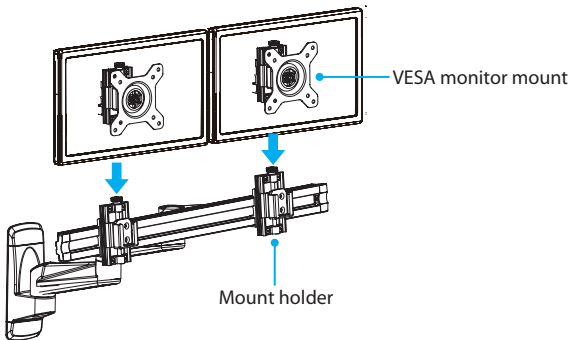
## Attach the VESA monitor mounts to the crossbar

**Warning!** Make sure that the weight of the monitors doesn't exceed the weight capacity of this product. If you exceed the weight capacity, you might experience personal injury or damage to the product. This product can support up to 5 kg (11 lb.) per monitor mount.

1. Carefully slide one of the VESA monitor mounts and monitors into a mount holder on the crossbar. (figure 14)

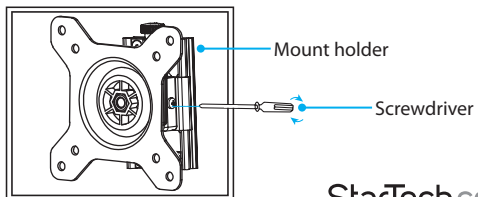
**Note:** If you encounter resistance as you slide the VESA monitor mount into a mount holder, remove the VESA monitor mount from the mount holder and look to see if either of the screws in the sides of the monitor holders are in the way. If they are, use a Phillips type screwdriver to retract the screws in the sides of the mount holder on the crossbar. (figure 15)

figure 14



2. Repeat step 1 to attach the second VESA monitor mount and monitor.
3. Use a Phillips type screwdriver to tighten the screws in each of the the mount holders. (figure 15)

figure 15



# Adjust the ARMDUALWALL

1. To adjust the position of your monitors, do any of the following:

- To move the monitors up or down in small increments, turn the knobs at the top of each of the VESA monitor mounts. (figure 16)
- To lock the mounting arms in place, use the hex key to turn the screw in each of the mounting arms clockwise. (figure 17)
- To increase or decrease the swivel tension, use the hex key to turn the screw in each of the mounting arms clockwise or counterclockwise. (figure 17)

figure 16

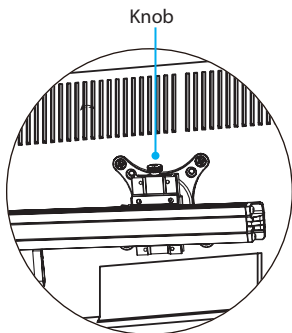
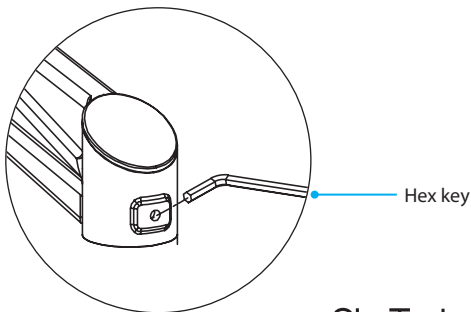


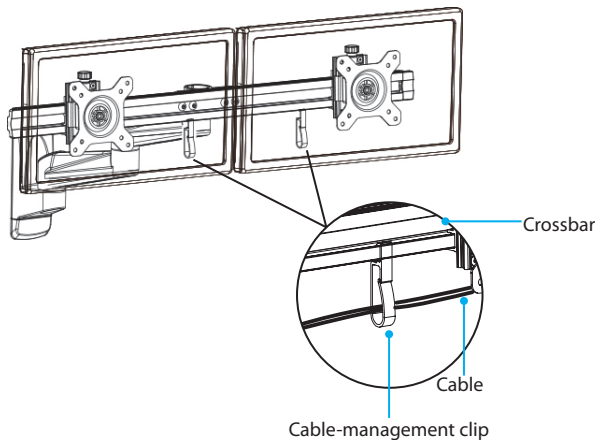
figure 17



# Organize your cables

1. Attach the cable-management clips to the crossbar.
2. Route the cables along the crossbar.
3. Snap the cables into the cable-management clips. (figure 18)

figure 18



# Technical support

StarTech.com's lifetime technical support is an integral part of our commitment to provide industry-leading solutions. If you ever need help with your product, visit [www.startech.com/support](http://www.startech.com/support) and access our comprehensive selection of online tools, documentation, and downloads.

For the latest drivers/software, please visit [www.startech.com/downloads](http://www.startech.com/downloads)

## Warranty information

This product is backed by a two-year warranty.

StarTech.com warrants its products against defects in materials and workmanship for the periods noted, following the initial date of purchase. During this period, the products may be returned for repair, or replacement with equivalent products at our discretion. The warranty covers parts and labor costs only. StarTech.com does not warrant its products from defects or damages arising from misuse, abuse, alteration, or normal wear and tear.

### Limitation of liability

In no event shall the liability of StarTech.com Ltd. and StarTech.com USA LLP (or their officers, directors, employees or agents) for any damages (whether direct or indirect, special, punitive, incidental, consequential, or otherwise), loss of profits, loss of business, or any pecuniary loss, arising out of or related to the use of the product exceed the actual price paid for the product. Some states do not allow the exclusion or limitation of incidental or consequential damages. If such laws apply, the limitations or exclusions contained in this statement may not apply to you.

Hard-to-find made easy. At StarTech.com, that isn't a slogan. It's a promise.

StarTech.com is your one-stop source for every connectivity part you need. From the latest technology to legacy products — and all the parts that bridge the old and new — we can help you find the parts that connect your solutions.

We make it easy to locate the parts, and we quickly deliver them wherever they need to go. Just talk to one of our tech advisors or visit our website. You'll be connected to the products you need in no time.

Visit [www.startech.com](http://www.startech.com) for complete information on all StarTech.com products and to access exclusive resources and time-saving tools.

*StarTech.com is an ISO 9001 Registered manufacturer of connectivity and technology parts. StarTech.com was founded in 1985 and has operations in the United States, Canada, the United Kingdom and Taiwan servicing a worldwide market.*