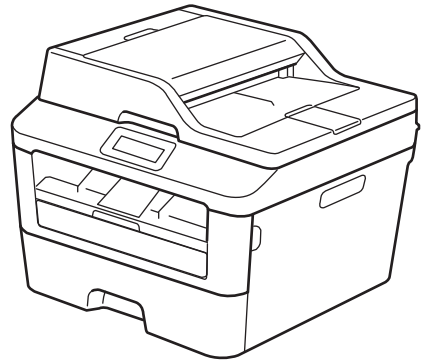




Basic User's Guide

HL-L2380DW
MFC-L2720DW
MFC-L2740DW



Online User's Guide

This Basic User's Guide does not contain all the information about the machine. To learn detailed information, read the Online User's Guide at solutions.brother.com/manuals



If you need to call Customer Service

Please complete this information for future reference:

Model Number: HL-L2380DW/MFC-L2720DW/MFC-L2740DW
(Circle your model number)

Serial Number: ¹ _____

Date of Purchase: _____

Place of Purchase: _____

¹ The serial number is on the back of the machine. Retain this User's Guide with your sales receipt as a permanent record of your purchase, in the event of theft, fire or warranty service.

Register your product on-line at

<http://www.brother.com/html/registration>

By registering your product with Brother, you will be recorded as the original owner of the product. Your registration with Brother:

- may serve as confirmation of the purchase date of your product should you lose your receipt;
- may support an insurance claim by you in the event of product loss covered by insurance; and,
- will help us notify you of enhancements to your product and special offers.

The most convenient and efficient way to register your new product is online at <http://www.brother.com/html/registration>.

Brother Numbers

IMPORTANT

For technical help, you must call the country where you bought the machine. Calls must be made **from within** that country.

Register Your Product

By registering your product with Brother International Corporation, you will be recorded as the original owner of the product. Your registration with Brother:

- may serve as confirmation of the purchase date of your product if you lose your receipt;
- may support an insurance claim by you in the event of product loss covered by insurance; and,
- will help us notify you of enhancements to your product and special offers.

Complete and fax the Brother Warranty Registration and Test Sheet, or register on-line at

<http://www.brother.com/registration>

FAQs (Frequently Asked Questions)

The Brother Solutions Center is our one-stop resource for all your Fax Machine/Multi-Function Center needs. Download the latest software and utilities and read FAQs and troubleshooting tips to learn how to get the most from your Brother product.

<http://support.brother.com>



- Check here for Brother driver updates.
 - To keep your machine's performance up to date, check here for the latest firmware upgrade.
-

For Customer Service

In USA:

<http://www.brother-usa.com/support> (Self-Service/Email/Chat)

1-877-BROTHER (1-877-276-8437)

1-901-379-1215 (assistance via fax)

1-877-268-9575 (test your fax sending and fax receiving operations)

In Canada:

www.brother.ca/support (Self-Service Videos, Email, Chat, Facebook and Twitter Help)

Service Center Locator (USA only)

For the location of a Brother authorized service center, call 1-877-BROTHER (1-877-276-8437) or visit <http://www.brother-usa.com/service>.

Service Center Locations (Canada only)

For the location of a Brother authorized service center, visit www.brother.ca/support.

Ordering Accessories and Supplies

For best quality results use only genuine Brother supplies, which are available at most Brother retailers. If you cannot find the supplies you need and have a Visa, MasterCard, Discover, American Express credit card, or PayPal account, you can order directly from Brother. Visit us online for a complete selection of the Brother accessories and supplies that are available for purchase.

NOTE

In Canada, only Visa and MasterCard are accepted.

In USA:

1-877-552-MALL (1-877-552-6255)

1-800-947-1445 (assistance via fax)

<http://www.brothermall.com>

In Canada:

<http://www.brother.ca>

Order Information

Description	Item
Toner cartridge	TN-630 (Approximately 1,200 pages) ^{1 2 3} TN-660 (Approximately 2,600 pages) ^{1 2 4}
Drum Unit	DR-630 (Approximately 12,000 pages) ^{5 6}
Telephone Line Cord	LG3077001
Basic User's Guide	LEM603001-00 (English for USA and Canada) LEM603002-00 (French for Canada)
Quick Setup Guide	LEM592001-00 (English for USA and Canada) LEM592002-00 (French for Canada)

1 Letter or A4 size single-sided pages.

2 Approximate cartridge yield is declared in accordance with ISO/IEC 19752.

3 Standard toner cartridge

4 High yield toner cartridge

5 1 page per job

6 Drum life is approximate and may vary by type of use.

Notice - Disclaimer of Warranties (USA and Canada)

BROTHER'S LICENSOR(S), AND THEIR DIRECTORS, OFFICERS, EMPLOYEES OR AGENTS (COLLECTIVELY BROTHER'S LICENSOR) MAKE NO WARRANTIES, EXPRESS OR IMPLIED, INCLUDING WITHOUT LIMITATION THE IMPLIED WARRANTIES OF MERCHANTABILITY AND FITNESS FOR A PARTICULAR PURPOSE, REGARDING THE SOFTWARE. BROTHER'S LICENSOR(S) DOES NOT WARRANT, GUARANTEE OR MAKE ANY REPRESENTATIONS REGARDING THE USE OR THE RESULTS OF THE USE OF THE SOFTWARE IN TERMS OF ITS CORRECTNESS, ACCURACY, RELIABILITY, CURRENTNESS OR OTHERWISE. THE ENTIRE RISK AS TO THE RESULTS AND PERFORMANCE OF THE SOFTWARE IS ASSUMED BY YOU. THE EXCLUSION OF IMPLIED WARRANTIES IS NOT PERMITTED BY SOME STATES IN THE USA AND SOME PROVINCES IN CANADA. THE ABOVE EXCLUSION MAY NOT APPLY TO YOU.

IN NO EVENT WILL BROTHER'S LICENSOR(S) BE LIABLE TO YOU FOR ANY CONSEQUENTIAL, INCIDENTAL OR INDIRECT DAMAGES (INCLUDING DAMAGES FOR LOSS OF BUSINESS PROFITS, BUSINESS INTERRUPTION, LOSS OF BUSINESS INFORMATION, AND THE LIKE) ARISING OUT OF THE USE OR INABILITY TO USE THE SOFTWARE EVEN IF BROTHER'S LICENSOR HAS BEEN ADVISED OF THE POSSIBILITY OF SUCH DAMAGES. BECAUSE SOME STATES IN THE USA AND SOME PROVINCES IN CANADA DO NOT ALLOW THE EXCLUSION OR LIMITATION OF LIABILITY FOR CONSEQUENTIAL OR INCIDENTAL DAMAGES, THE ABOVE LIMITATIONS MAY NOT APPLY TO YOU. IN ANY EVENT BROTHER'S LICENSOR'S LIABILITY TO YOU FOR ACTUAL DAMAGES FROM ANY CAUSE WHATSOEVER, AND REGARDLESS OF THE FORM OF THE ACTION (WHETHER IN CONTRACT, TORT (INCLUDING NEGLIGENCE), PRODUCT LIABILITY OR OTHERWISE), WILL BE LIMITED TO \$50.

For the Latest Driver Updates

Go to your model's **Downloads** page on the Brother Solutions Center at <http://support.brother.com> to download drivers.

To keep your machine's performance up-to-date, check there for the latest firmware upgrades.

The Online User's Guide Helps You Get the Most Out of Your Machine

Quicker navigation!

- ✓ Search box
- ✓ Navigation index in a separate panel

Comprehensive!

- ✓ Every topic in one guide

Simplified Layout!

- ✓ Provides step-by-step instructions
- ✓ Feature summary at the top of the page



1. Search Box

2. Navigation

3. Summary

4. Step-by-Step

Where can I find this manual?

(Windows®)

Click  (Start) > All Programs > Brother > Brother Utilities > Brother MFC-XXXX series > Support > User's Guides.

(Windows® 8)

Tap or click  (Brother Utilities) > Brother MFC-XXXX series > Support > User's Guides.

(Select your model from the drop-down list if not already selected.)

(Macintosh or other options)

Go to your model's **Manuals** page on the Brother Solutions Center at <http://support.brother.com> to download manuals.

If you have questions or problems, please take a look at our FAQs.





Provides several ways to search!

Displays related questions for more information

Receives regular updates based on customer feedback

FAQ's & Troubleshooting

Categorized Popular Latest

-  **How To / Troubleshooting**
 - ▶ [Error Messages](#) ▶ [Paper Feed/Paper Jam](#) ▶ [Print](#) ▶ [Scan](#)
 - ▶ [Copy](#) ▶ [Telephone](#) ▶ [Fax](#) ▶ [Mobile](#) ▶ [Cloud](#)
-  **Setup / Settings**
 - ▶ [Product Setup](#) ▶ [Driver/Software](#)
-  **Consumables & Accessories / Routine Maintenance**
 - ▶ [Consumables/Paper/Accessories](#) ▶ [Cleaning](#)
-  **Others**
 - ▶ [Specification](#) ▶ [OS Support Information](#) ▶ [Video FAQ's](#)

Search by Keyword(s)

▶ [Search by FAQ ID number](#)

▶

Categorized Popular Latest

Since the Brother Solutions Center is updated regularly, this screen shot is subject to change without notice.

Where can I find these FAQs?

Brother Solutions Center

<http://support.brother.com>

Definitions of Notes

We use the following symbols and conventions throughout this User's Guide:

WARNING

WARNING indicates a potentially hazardous situation which, if not avoided, could result in death or serious injuries.

CAUTION

CAUTION indicates a potentially hazardous situation which, if not avoided, may result in minor or moderate injuries.

IMPORTANT

IMPORTANT indicates a potentially hazardous situation which, if not avoided, may result in damage to property or loss of product functionality.

NOTE

NOTE specifies the operating environment, conditions for installation, or special conditions of use.



Tips icons provide helpful hints and supplementary information.



Electrical Hazard icons alert you to possible electrical shock.



Fire Hazard icons alert you to the possibility of a fire.



Hot Surface icons warn you not to touch hot machine parts.



Prohibition icons indicate actions you must not perform.

Bold

Bold style identifies buttons on the machine's control panel or computer screen.

Italics

Italicized style emphasizes an important point or refers you to a related topic.

Courier New

Courier New font identifies messages shown on the machine's LCD.

Compilation and Publication Notice

Under the supervision of Brother Industries, Ltd., this manual has been compiled and published, covering the latest product's descriptions and specifications.

The contents of this manual and the specifications of this product are subject to change without notice.

Brother reserves the right to make changes without notice in the specifications and materials contained herein and shall not be responsible for any damages (including consequential) caused by reliance on the materials presented, including but not limited to typographical and other errors relating to the publication.

©2014 Brother Industries, Ltd. All rights reserved.

Table of Contents

Basic User's Guide

1	General Information	1
	Control Panel Overview	1
	Touchscreen LCD Overview	3
	How to Navigate the Touchscreen LCD.....	4
	Access Brother Utilities.....	6
	Initial Setup.....	7
	Set the Date and Time	7
	Adjust the Ring Volume	7
	Adjust the Beeper Volume	7
	Adjust the Speaker Volume	7
2	Paper Handling	9
	Load Paper	9
	Load and Print using the Paper Tray	9
	Set the Check Size	10
	Change the Paper Size	10
	Change the Paper Type.....	11
	Recommended Print Media	11
	Using Special Paper	12
3	Print	13
	Print from Your Computer (Windows®).....	13
	Print a Document (Windows®).....	13
	Print on Both Sides of the Paper (Windows®)	13
	Print More Than One Page on a Single Sheet of Paper (N in 1) (Windows®).....	14
	Printing on Envelopes, Thick Paper, or Labels	15
	Printing on Plain Paper, Thin Paper, Recycled Paper, or Bond Paper using the Manual Feed Slot.....	17
4	Copy	19
	Copy a Document.....	19
	Copy Settings	21
	Copy Option.....	21
	Copy Multiple Pages on Both Sides of the Paper.....	23
	Copy a 2-sided Document Using the ADF.....	24
	Copy a 2-sided Document Using the Scanner Glass	25
	Copy Both Sides of an ID Card onto One Page	26

5	Scan	28
	Scan from Your Computer (Windows®).....	28
	Save Scanned Documents and Photos to a Folder as a PDF File Using ControlCenter4 Advanced Mode (Windows®)	28
	Scan Using the Scan Button on Your Brother Machine.....	29
	Scan Using the Scan Button on the Machine	29
6	Fax	31
	Before Faxing	31
	Set Your Station ID	31
	Set Telephone Line Compatibility for Interference and VoIP Systems	32
	Receive Modes	32
	Choose the Correct Receive Mode.....	34
	Set the F/T Ring Time (Pseudo/Double-ring).....	36
	Set the Number of Rings Before the Machine Answers (Ring Delay)	36
	Store Numbers	37
	Store Address Book Numbers	37
	Change or Delete Address Book Names or Numbers	37
	Telephone Services and External Devices	39
	Voice Mail	39
	Distinctive Ring	39
	Voice Over Internet Protocol (VoIP).....	39
	Connection of an External Telephone Answering Device (TAD).....	39
	External and Extension Telephones	39
	Send and Receive a Fax Using Your Machine	40
	Send a Fax	40
	Fax Using Your Computer (PC-FAX).....	42
	Send Faxes from Your Computer	42
	Receive Faxes on Your Computer (Windows® only)	42
A	Troubleshooting	44
	Identify the Problem.....	44
	Error and Maintenance Messages.....	45
	Fax and Telephone Problems.....	49
	Troubleshooting for Other Fax Problems.....	50
	Print or Scan Problems.....	52
	Document and Paper Jams	54
	Find the Jammed Document or Paper	54
	Clear the Document Jam	54
	Clear the Paper Jam.....	55
B	Appendix	61
	How to Enter Text on Your Brother Machine	61
	Supplies.....	62

C Index.....	63
---------------------	----

Control Panel Overview



1. Touchscreen Liquid Crystal Display (LCD)

Access menus and options by pressing them on this Touchscreen.

2. Touchpanel



(Back)

Press to go back to the previous menu.



(Home)

Press to return to the Home screen.





(Cancel)

Press to cancel an operation (available when illuminated in red).

Dial Pad (Numerical buttons)

Press the numbers on the Touchpanel to dial telephone or fax numbers and to enter the number of copies.

3. Power On/Off

- Turn on the machine by pressing .
- Turn off the machine by pressing and holding down . The Touchscreen LCD displays *Shutting Down* and stays on for a few seconds before turning off. If you have an external telephone or TAD connected, it is always available.

4.  (WiFi)

When the **WiFi** light is on, your Brother machine is connected to a wireless access point.
When the **WiFi** light blinks, the wireless connection is down, or your machine is in the process of connecting to a wireless access point.

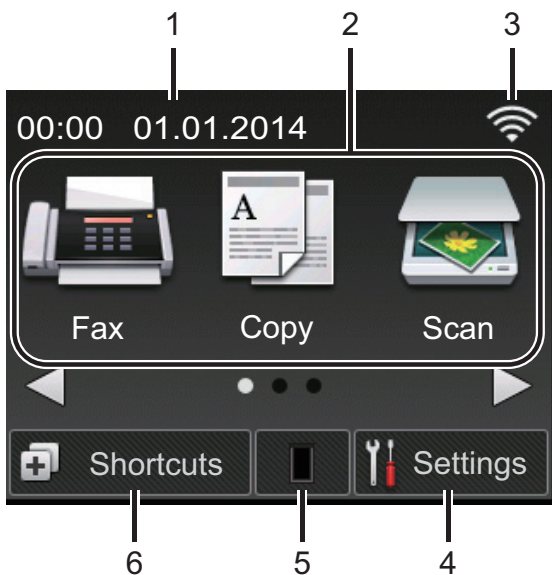
Touchscreen LCD Overview

Access the mode button you want by pressing ◀ or ▶.

From the Home screens, you can access Wi-Fi setup, Shortcuts, Toner level and Settings screens.

This screen displays the machine's status when the machine is idle. This Home screen is also called the Ready Mode screen. When displayed, this indicates that your machine is Ready for the next command.




The available features will vary depending on your model.



1. Date & Time

Displays the date and time set on the machine.

2. Modes

-  **Fax**
Press to access Fax mode.
-  **Copy**
Press to access Copy mode.
-  **Scan**
Press to access Scan mode.

-  **Web**


Press to connect the Brother machine to an Internet service. For more information, see the *Web Connect Guide*. Go to your model's **Manuals** page on the Brother Solutions Center at <http://support.brother.com> to download the guide.

-  **Apps**

Press to connect the Brother machine to the Brother Apps service. For more information, see the *Web Connect Guide*. Go to your model's **Manuals** page on the Brother Solutions Center at <http://support.brother.com> to download the guide.

-  **Secure Print**

Press to access the *Secure Print* option.

-  **2in1 (ID) Copy**

Press to access 2in1(ID) Copy option.

3. **Wireless Status**


If you are using a wireless connection, a four-level indicator in each of the Home screens displays the current wireless signal strength.



- If you see  at the top on the screen, press it to configure wireless settings.


4. **Settings**

Press to access the *Settings* menu.

If Secure Function Lock or Setting Lock has been turned on, a lock  icon appears on the LCD. You must unlock the machine to use *Settings*.

5. Toner

Displays the remaining toner life. Press to access the **Toner** menu.

When the Toner cartridge is near the end of life or has a problem, an error icon  appears on the Toner icon.

6. Shortcuts

Press to create Shortcuts for frequently-used operations such as sending a fax, making a copy, scanning and using Web Connect.



- Three Shortcuts screens are available with up to four Shortcuts on each Shortcuts screen. A total of 12 Shortcuts are available.
- To display the other Shortcuts screens, press ◀ or ▶.

Stored Fax(es)






The number of received faxes in memory appears at the top of the screen.

Press  to print the faxes.

Warning icon



The warning icon  appears when there is an error or maintenance message; press  to view it, and then press  to return to Ready Mode.

NOTE

- This product adopts the font of ARPHIC TECHNOLOGY CO., LTD.

How to Navigate the Touchscreen LCD

Press your finger on the LCD to operate it. To display and access all the options, press ◀▶ or ▲▼ on the LCD to scroll through them.

The following steps explain how to navigate through changing a machine setting. In this example, the LCD Backlight setting is changed from *Light* to *Med*.

IMPORTANT

DO NOT press the LCD with a sharp object such as a pen or stylus. It may damage the machine.

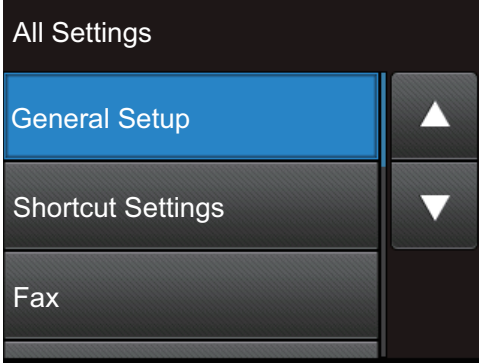
NOTE

DO NOT touch the LCD immediately after plugging in the power cord or turning on the machine. Doing this may cause an error.

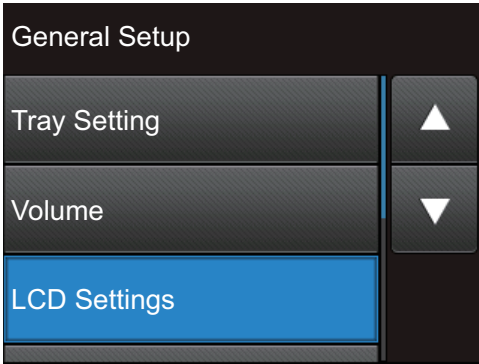
1 Press  (Settings).

2 Press All Settings.

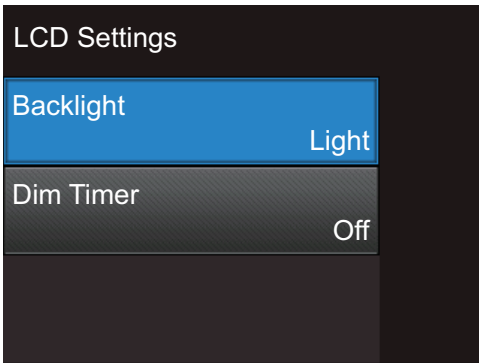
3 Press ▲ or ▼ to display the General Setup option, and then press General Setup.



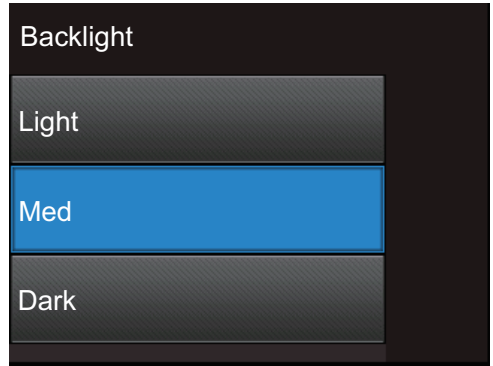
4 Press ▲ or ▼ to display the LCD Settings option, and then press LCD Settings.



5 Press Backlight.



6 Press Med.




7 Press .

Access Brother Utilities

Brother Utilities is an application launcher that offers convenient access to all Brother applications installed on your device.

1 Do one of the following:



- (Windows® XP, Windows Vista®, Windows® 7, Windows Server® 2003, Windows Server® 2008 and Windows Server® 2008 R2)

Click  **Start > All Programs > Brother > Brother Utilities.**

- (Windows® 8 and Windows Server® 2012)

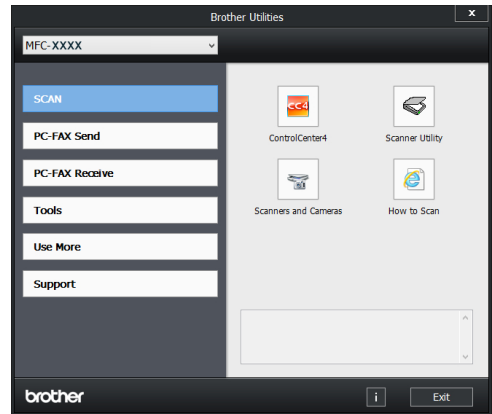
Tap or Click  (**Brother Utilities**) either on the **Start** screen or the desktop.

- (Windows® 8.1 and Windows Server® 2012 R2)

Move your mouse to the lower left corner of the **Start** screen and click  (if you are using a touch-based device, swipe up from the bottom of the **Start** screen to bring up the **Apps** screen). When the **Apps** screen appears, tap or click  (**Brother Utilities**).

2 Select **Brother MFC-XXXX series** (where XXXX is the name of your model).

3 Select the operation you want to use.





Initial Setup

Set the Date and Time

Related Models:

MFC-L2720DW/MFC-L2740DW



- 1 Press  (Settings) > All Settings > Initial Setup > Date & Time > Date.
- 2 Enter the last two digits of the year using the LCD, and then press **OK**.
- 3 Enter the two digits for the month using the LCD, and then press **OK**.
- 4 Enter the two digits for the day using the LCD, and then press **OK**.
- 5 Press **Clock Type**.
- 6 Press **12h Clock** or **24h Clock**.
- 7 Press **Time**.
- 8 To enter the time, do one of the following:
 - If you selected **12h Clock** as the format in the **Clock Type** setting, enter the time (in 12-hour format) using the LCD.
Press  to select the **AM** or **PM**.
Press **OK**.
 - If you selected **24h Clock** as the format in the **Clock Type** setting, enter the time (in 24-hour format) using the LCD.
Press **OK**.
(For example: enter 19:45 for 7:45 PM.)

- 9 Press .

Adjust the Ring Volume



Related Models:

MFC-L2720DW/MFC-L2740DW

- 1 Press  (Settings) > All Settings > General Setup > Volume > Ring.
- 2 Press **▲** or **▼** to display the **Off**, **Low**, **Med**, or **High** option, and then press the option you want.
- 3 Press .

Adjust the Beeper Volume


When the beeper is on, the machine will beep when you press a button, make a mistake, or after you send or receive a fax. You can choose from a range of volume levels.

- 1 Press  (Settings) > All Settings > General Setup > Volume > Beep.
- 2 Press **▲** or **▼** to display the **Off**, **Low**, **Med**, or **High** option, and then press the option you want.
- 3 Press .

Adjust the Speaker Volume

Related Models:

MFC-L2720DW/MFC-L2740DW

- 1 Press  (Settings) > All Settings > General Setup > Volume > Speaker.

2 Press ▲ or ▼ to display the Off, Low, Med, or High option, and then press the option you want.

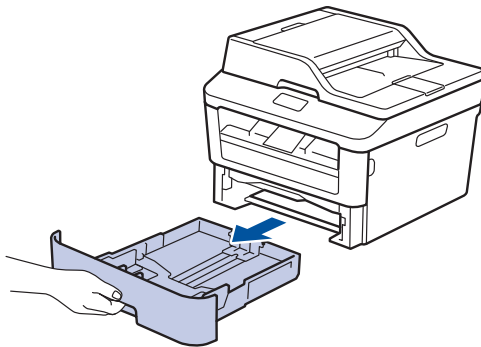
3 Press .

Load Paper

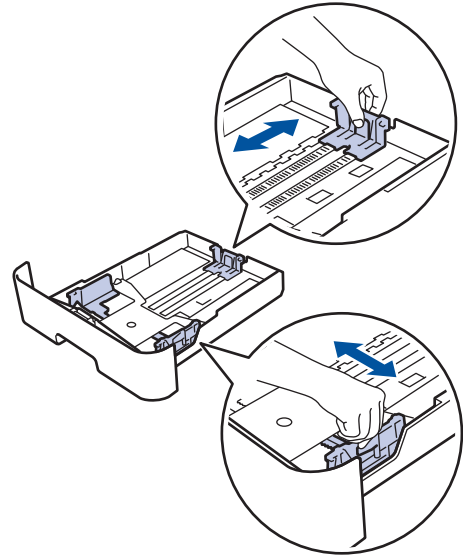
Load and Print using the Paper Tray

- If the Check Size setting is set to On and you pull the paper tray out of the machine, a message appears on the LCD asking if you want to change the paper size. Change the paper size and paper type settings if needed, following the on-screen instructions.
- When you load a different paper size in the tray, you must change the paper size setting in the machine or on your computer at the same time.

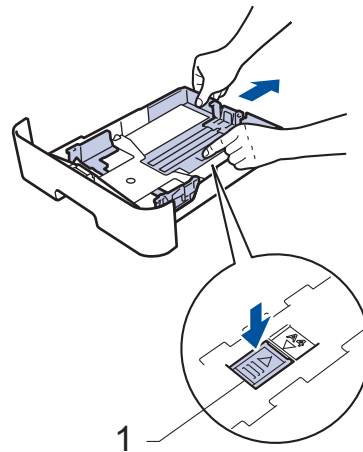
- 1 Pull the paper tray completely out of the machine.



- 2 Press and slide the paper guides to fit the paper.
Press the green release levers to slide the paper guides.




- For Legal or Folio size paper, press the release button (1) in the bottom of the paper tray and then pull out the back of the paper tray. (Legal and Folio size paper are not available in some regions.)

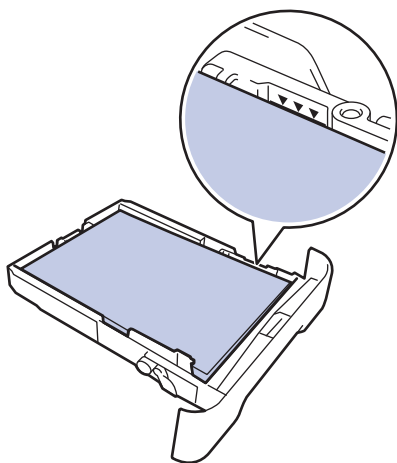


- 3 Fan the stack of paper well.

- 4** Load paper with the printing surface *face down* in the paper tray.

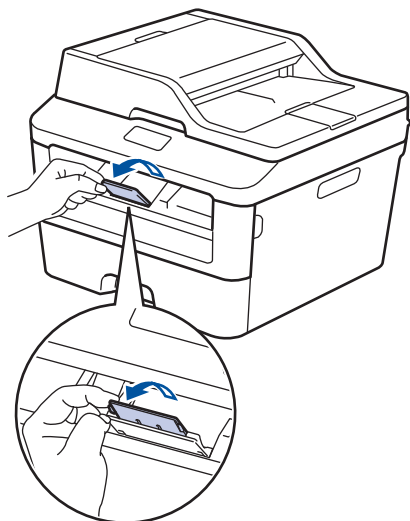
 DO NOT load different types of paper in the paper tray at the same time. Doing this may cause the paper to jam or misfeed.

- 5** Make sure the paper is below the maximum paper mark (▼▼▼).
Overfilling the paper tray will cause paper jams.




- 6** Slowly push the paper tray completely into the machine.

- 7** Lift the support flap to prevent paper from sliding off the output tray.





- 8** Send your print job to the machine.

 Change your print preferences in the Print dialog box before sending the print job from your computer.

Set the Check Size



Your Brother machine's Check Size setting causes the machine to display a message when you remove the paper tray from the machine, asking if you changed the paper size.

The default setting is On.

- 1** Press  (Settings) > All Settings > General Setup > Tray Setting > Check Size.
- 2** Press On or Off.
- 3** Press .

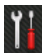

Change the Paper Size

When you change the size of the paper you load in the tray, you must change the paper size setting on the LCD at the same time.

- 1** Press  (Settings) > All Settings > General Setup > Tray Setting > Paper Size.
- 2** Press ▲ or ▼ to display the A4, Letter, A5, A5 L, A6, Executive, Legal or Folio option, and press the option you want.
- 3** Press .

Change the Paper Type

To get the best print quality, set the machine for the type of paper you are using.

- 1 Press  (Settings) > All Settings > General Setup > Tray Setting > Paper Type.
- 2 Press ▲ or ▼ to display the Thin, Plain Paper, Thick, Thicker or Recycled Paper option, and press the option you want.
- 3 Press .

Recommended Print Media

To get the best print quality, we recommend using the paper in the table.

Paper Type	Item
Plain Paper	Xerox 4200DP 20 lb
	Hammermill Laser Print (24 lb = 90 g/m ²)
Recycled Paper	No specific brand recommended
Labels	Avery laser labels white #5160
Envelopes	No specific brand recommended

Using Special Paper

Always test paper samples before purchasing them to ensure desirable performance.

- DO NOT use inkjet paper; it may cause a paper jam or damage your machine.
- If you use bond paper, paper with a rough surface, or paper that is wrinkled or creased, the paper may exhibit degraded performance.

IMPORTANT

Some types of paper may not perform well or may cause damage to your machine.

DO NOT use paper:

- that is highly textured
- that is extremely smooth or shiny
- that is curled or warped
- that is coated or has a chemical finish
- that is damaged, creased or folded
- that exceeds the recommended weight specification in this guide
- with tabs and staples
- with letterheads using low temperature dyes or thermography
- that is multipart or carbonless
- that is designed for inkjet printing

If you use any of the types of paper listed above, they may damage your machine. This damage is not covered under any Brother warranty or service agreement.

Print from Your Computer (Windows®)

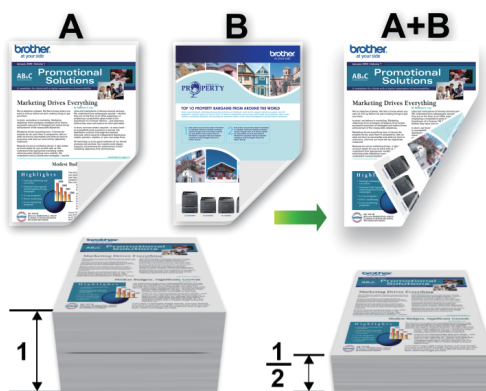
Print a Document (Windows®)

- 1 Select the print command in your application.
- 2 Select **Brother MFC-XXXX series** (where XXXX is the name of your model).
- 3 Click **OK**.
- 4 Complete your print operation.



For more information, see the *Online User's Guide: Print a Document*

Print on Both Sides of the Paper (Windows®)



- Select Letter, Legal, or Folio size paper when using the automatic 2-sided printing option.

- 1 Select the print command in your application.
- 2 Select **Brother MFC-XXXX series** (where XXXX is the name of your model), and then click the printing properties or preferences button.
The printer driver window appears.
- 3 Click the **2-sided / Booklet** drop-down list and select the **2-sided** option.
- 4 Click the **2-sided Settings** button.
- 5 Select an option from the **2-sided Type** menu.
- 6 Click **OK**.

- 7 Click **OK** again, and then complete your print operation.

Print More Than One Page on a Single Sheet of Paper (N in 1) (Windows®)



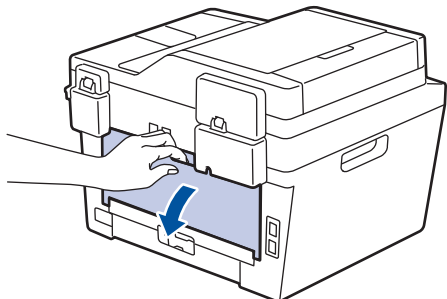
- 1 Select the print command in your application.
- 2 Select **Brother MFC-XXXX series** (where XXXX is the name of your model), and then click the printing properties or preferences button.
The printer driver window appears.
- 3 Click the **Multiple Page** drop-down list and select the **2 in 1**, **4 in 1**, **9 in 1**, **16 in 1**, or **25 in 1** option.
- 4 Click **OK**.
- 5 Complete your print operation.

Printing on Envelopes, Thick Paper, or Labels

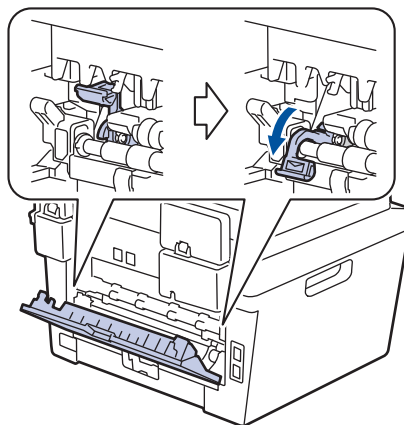
When the back cover (face-up output tray) is pulled down, the machine has a straight paper path from the manual feed slot on the front of the machine through the back of the machine and onto the face-up output tray. Use this manual feed and output method for printing on thick paper or envelopes.

- Load the paper or envelope into the manual feed slot with the printing surface face up.
- DO NOT load more than one sheet of paper or one envelope in the manual feed slot at any one time. Doing this may cause a jam.

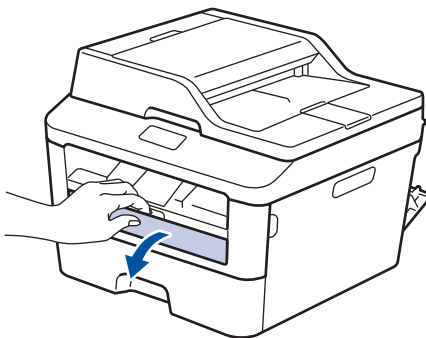
- 1 Open the back cover (face-up output tray).



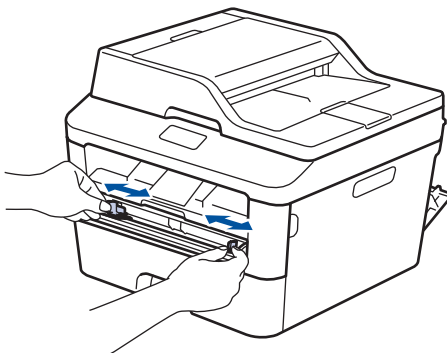
- 2 (For printing envelopes) Pull down the two green levers, one on the left side and one on the right side, to the envelope position as shown in the illustration.



- 3 On the front of the machine, open the manual feed slot cover.

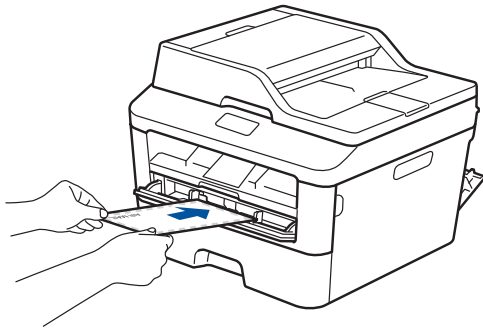


- 4 Slide the manual feed slot paper guides to the width of the paper.



- 5** Push one sheet of paper or one envelope firmly into the manual feed slot.

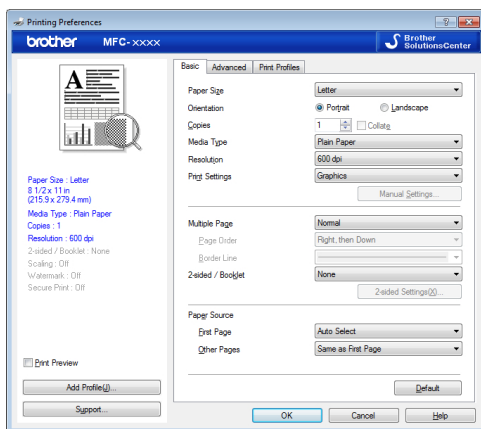
Continue pushing the paper until the top edge of the paper presses against the rollers for about two seconds, or until the machine grabs the paper and pulls it in further.



- 6** Select the print command in your application.

- 7** Select **Brother MFC-XXXX series** (where XXXX is the name of your model), and then click the printing properties or preferences button.

The printer driver window appears.



- 8** Click the **Paper Size** drop-down list and select your paper size.

- 9** Click the **Media Type** drop-down list and select the type of paper you are using.

- 10** Click the **First Page** and **Other Pages** drop-down lists and select **Manual**.

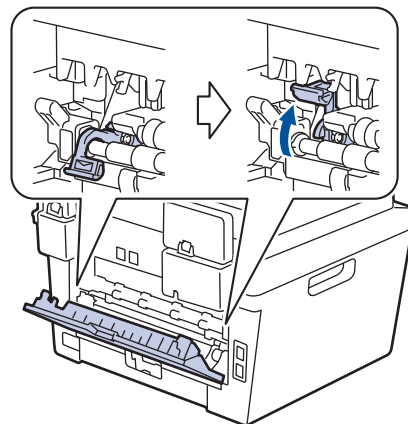
- 11** Click the **Portrait** or **Landscape** option to set the orientation of your printout.

- 12** Change other printer settings if needed.

- 13** Click **OK**.

- 14** Click **Print**.

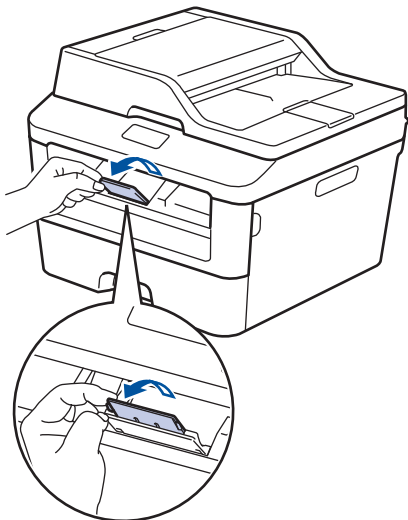
- 15** (For printing envelopes) When you have finished printing, return the two green levers back to their original positions.



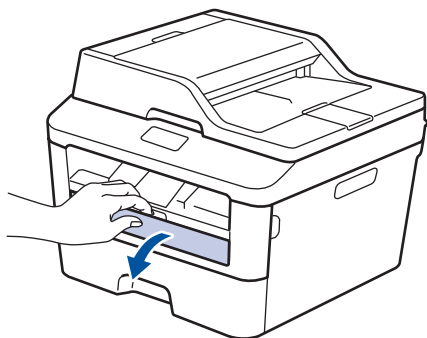
Printing on Plain Paper, Thin Paper, Recycled Paper, or Bond Paper using the Manual Feed Slot

- Load the paper into the manual feed slot with the printing surface face up.
- DO NOT load more than one sheet of paper in the manual feed slot at any one time. Doing this may cause a jam.

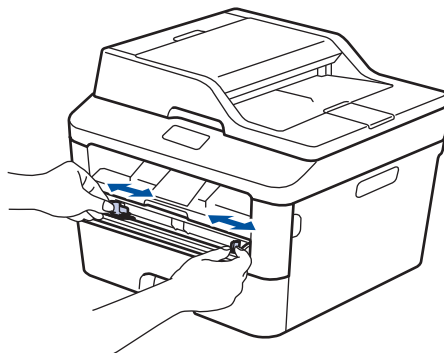
- 1** Lift up the support flap to prevent paper from sliding off the face-down output tray, or remove each page as soon as it comes out of the machine.



- 2** Open the manual feed slot cover.

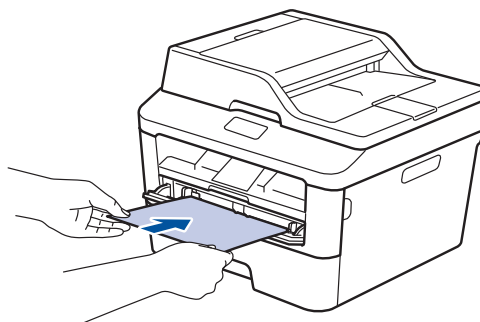


- 3** Slide the manual feed slot paper guides to the width of the paper.



- 4** Push one sheet of paper firmly into the manual feed slot.

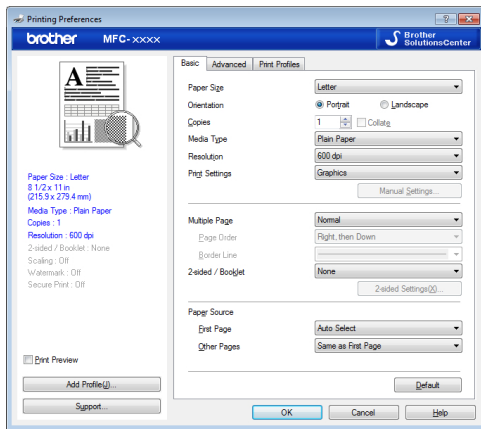
Continue pushing the paper until the top edge of the paper presses against the rollers for about two seconds, or until the machine grabs the paper and pulls it in further.



- 5** Select the print command in your application.

- 6 Select **Brother MFC-XXXX series** (where XXXX is the name of your model), and then click the printing properties or preferences button.

The printer driver window appears.



- 7 Click the **Paper Size** drop-down list and select your paper size.
- 8 Click the **Media Type** drop-down list and select the type of paper you are using.
- 9 Click the **First Page** and **Other Pages** drop-down list and select **Manual**.
- 10 Click the **Portrait** or **Landscape** option to set the orientation of your printout.
- 11 Change other printer settings if needed.
- 12 Click **OK**.
- 13 Click **Print**.

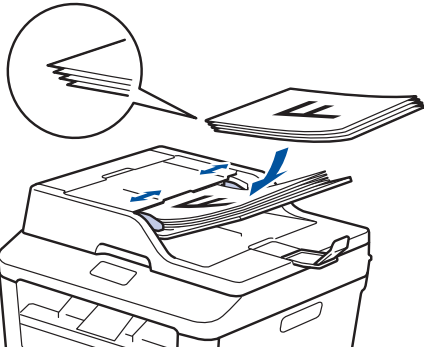
Copy a Document

1 Make sure you have loaded the correct size paper in the paper tray.

2 Do one of the following:

- Place the document *face up* in the ADF.

(If you are copying multiple pages, we recommend using the ADF.)

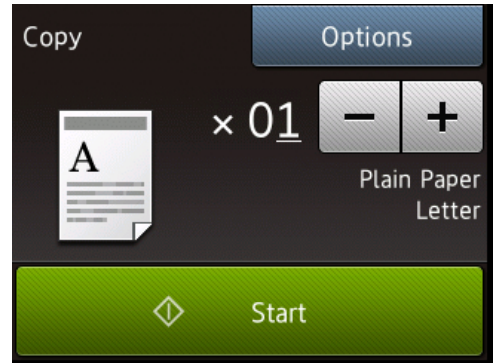


- Place the document *face down* on the scanner glass.



3 Press  (Copy).

The LCD displays:



4 To enter the number of copies you want, do one of the following:

- Press – or + using the LCD.
- Use the dial pad.
- Press **x 01** to display numeric keypad on the LCD, and then enter the number of copies. Press OK.

5 Press Start.

If you placed the document in the ADF, the machine scans and prints the document.

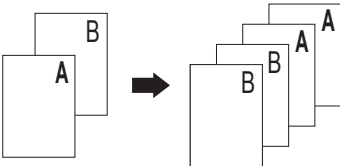
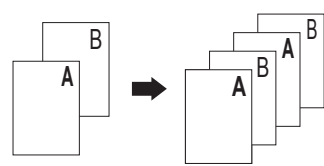
If you placed the document on the scanner glass and the machine asks if you want to scan the next page, follow the instructions in the table.

Option	Description
Yes or Scan	To scan the next page, press the Yes or Scan option, and then place the next page on the scanner glass. Press OK to scan the page.
No or Complete	After you have scanned the last page, press the No or Complete option. The machine prints the document.

Copy Settings

Copy Option

To change Copy settings, press **Options**.

Menu selections	Options	
Quality	Auto Text Photo Receipt	
Enlarge/Reduce	100%	-
	Enlarge	Choose an enlargement ratio for the next copy.
	Reduce	Choose a reduction ratio for the next copy.
	Auto	Adjust the copy size automatically to the paper size you set.
	Custom (25-400%)	Enter an enlargement or reduction ratio.
Density	Increase the density to make the text darker. Decrease the density to make the text lighter.	
Contrast	Increase the contrast to make an image clearer. Decrease the contrast to make an image more subdued.	
Stack/Sort	Stack 	Sort 
Page Layout	Off (1in1) 2in1 (P) 2in1 (L) 4in1 (P) 4in1 (L)	
2-sided Copy	Enable or disable 2-sided copying and select long edge or short edge. The available options will vary depending on your model.	

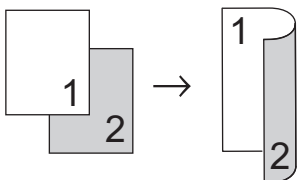
Menu selections	Options
2-sided Copy Page Layout (available only for certain settings)	Select long edge or short edge.
Save as Shortcut	Add the current settings as a shortcut.

Copy Multiple Pages on Both Sides of the Paper

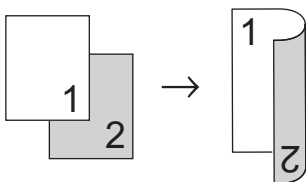
You must choose a 2-sided copy layout from the following options before you can start 2-sided copying:

Portrait

1-sided > 2-sided Long Edge Flip

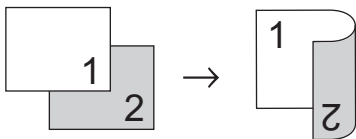


1-sided > 2-sided Short Edge Flip

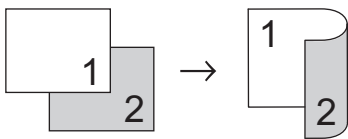


Landscape

1-sided > 2-sided Long Edge Flip



1-sided > 2-sided Short Edge Flip

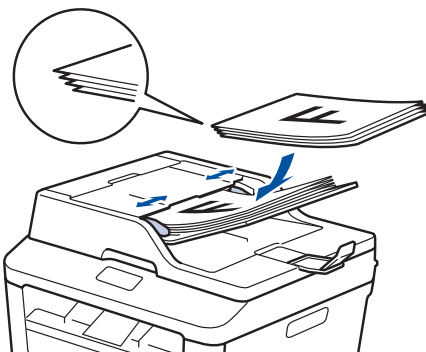


- 1 Make sure you have loaded the correct size paper in the paper tray.

- 2 Do one of the following:

- Place the document *face up* in the ADF.

(If you are copying multiple pages, we recommend using the ADF.)



- Place the document *face down* on the scanner glass.



- 3 Press  (Copy).

- 4 Enter the number of copies.

- 5 Press **Options**.

- 6 Press **▲** or **▼** to display the 2-sided Copy option, and then press 2-sided Copy.

- 7** Press ▲ or ▼ to display the following layout options, and then press the option you want.
- 1-sided->2-sided Long Edge Flip
 - 1-sided->2-sided Short Edge Flip

8 Press OK.

- 9** Press **Start** to scan the page.
- If you are copying using the ADF, the machine feeds and scans the pages and starts printing.

If you are copying using the scanner glass, go to the next step.

- 10** After the machine scans the page, press the **Scan** or **Complete** option.

Option	Description
Scan	Press Scan to scan the next page. Place the next page on the scanner glass, and then press OK .
Complete	Press Complete when you have scanned all the pages.

DO NOT touch the printed page until it is ejected the second time. The machine will print the first side and eject the paper, and then pull the paper back in to print the second side.

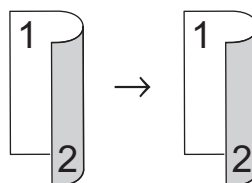
Copy a 2-sided Document Using the ADF

Related Models:
MFC-L2740DW

You must choose a 2-sided copy layout from the following options before you can start 2-sided copying.

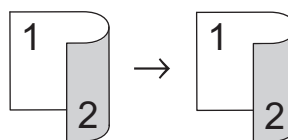
Portrait


2-sided > 2-sided



Landscape

2-sided > 2-sided



- 1** Make sure you have loaded the correct size paper in the paper tray.
- 2** Place your document *face up* in the ADF.
- 3** Press  (Copy).
- 4** Enter the number of copies.
- 5** Press **Options**.
- 6** Press ▲ or ▼ to display the **2-sided Copy** option, and then press **2-sided Copy**.
- 7** Press ▲ or ▼ to display the **2-sided->2-sided** option, and then press **2-sided->2-sided**.

8 Press **OK**.

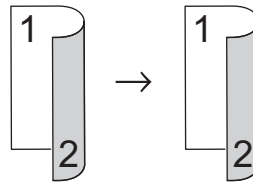
9 Press **Start** to scan the page.
The machine feeds and scans the pages and starts printing.

Copy a 2-sided Document Using the Scanner Glass

You must choose a 2-sided copy layout from the following options before you can start 2-sided copying.

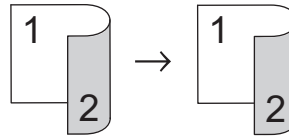
Portrait


2-sided > 2-sided



Landscape

2-sided > 2-sided



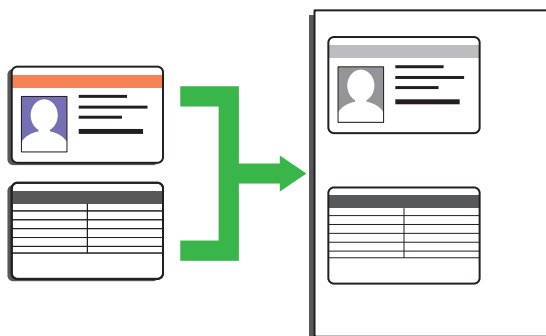
- 1** Make sure you have loaded the correct size paper in the paper tray.
- 2** Place your document *face down* on the scanner glass.
- 3** Press  (Copy).
- 4** Enter the number of copies.
- 5** Press **Options**.
- 6** Press **▲** or **▼** to display the *2-sided Copy* option, and then press *2-sided Copy*.
- 7** Press **▲** or **▼** to display the following layout options, and then press the option you want.
 - 1-sided -> 2-sided Long Edge Flip
 - 1-sided -> 2-sided Short Edge Flip

- 8 Press **OK**.
- 9 Press **Start** to scan the page.
- 10 After the machine scans the page, press the **Scan** or **Complete** option.

Option	Description
Scan	Press Scan to scan the next page. Place the next page on the scanner glass, and then press OK .
Complete	Press Complete when you have scanned all the pages.

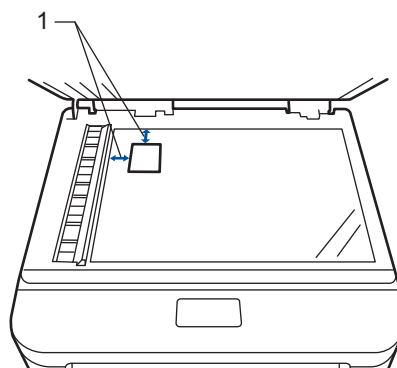
Copy Both Sides of an ID Card onto One Page

Use the 2in1 (ID) Copy feature to copy both sides of an identification card onto one page, keeping the original card size.



- Copy an identification card only to the extent permitted under applicable laws. For more information, see the *Product Safety Guide*.

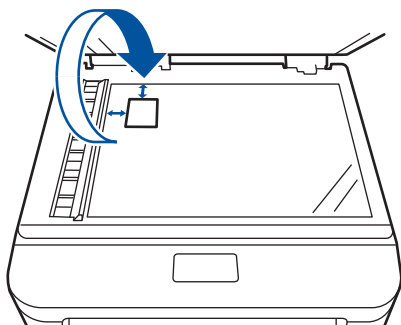
- 1 Place your identification card *face down* near the upper left corner of the scanner glass.



1 0.16 in. (4.0 mm) or greater (top, left)

- 2 Press **◀** or **▶** to display the **2in1 (ID) Copy** option, and then press **2in1 (ID) Copy**.
- 3 Enter the number of copies.

- 4** Press **Start**.
The machine scans one side of the identification card.
- 5** After the machine has scanned the first side, press **Yes**.
- 6** Turn over the identification card and press **OK** to scan the other side.



Scan from Your Computer (Windows®)


There are several ways you can use your computer to scan photos and documents on your Brother machine. Use the software applications provided by Brother, or use your favorite scanning application.

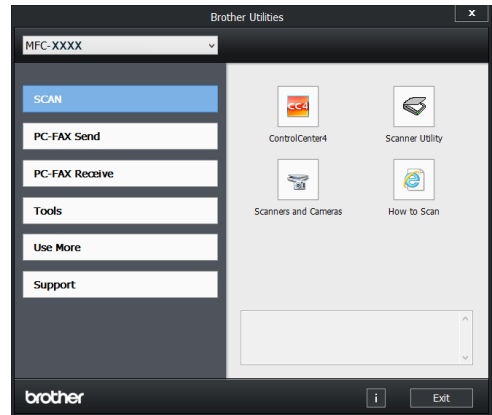
Save Scanned Documents and Photos to a Folder as a PDF File Using ControlCenter4 Advanced Mode (Windows®)

Scan documents and save them to a folder on your computer as PDF files.



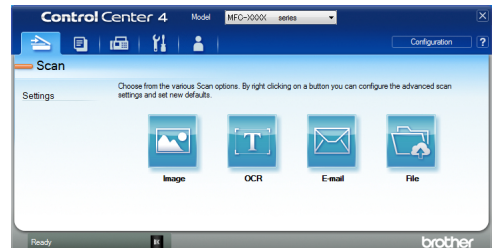
1 Load your document.

2 Click  **Start > All Programs > Brother > Brother Utilities**, and then click the drop-down list and select your model name (if not already selected). Click **SCAN** in the left navigation bar, and then click **ControlCenter4**. The ControlCenter4 application opens.

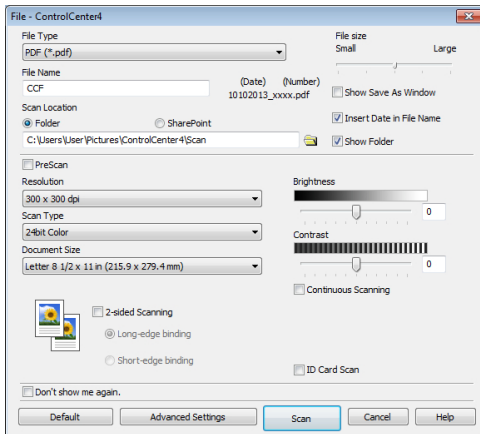


3 When you open the ControlCenter4 application at the first time, select the display mode.

4 Click the **Scan** tab.



- 5 Click the **File** button.
The scan settings dialog box appears.



- 6 Change the scan settings if needed, and then click **Scan**.

The machine scans the document and saves the file in the folder you have selected. The folder opens automatically.

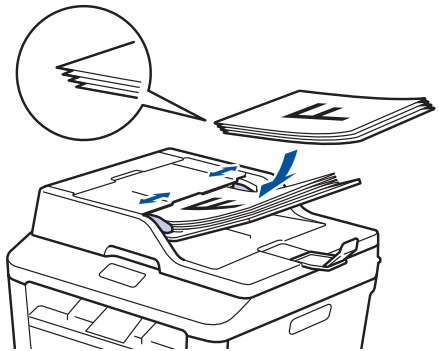


For more information, see the *Online User's Guide: Scan from Your Computer*

Scan Using the Scan Button on Your Brother Machine

Scan Using the Scan Button on the Machine

- 1 Do one of the following:
- Place the document *face up* in the ADF.
- (If you are scanning multiple pages, we recommend using the ADF.)




- Place the document *face down* on the scanner glass.




- 2 Press  (Scan).

- 3** Press ◀ or ▶ to display the Scan mode icon.
The icon is highlighted and moves to the middle of the LCD.

Option	Description
	Press this button to scan documents and save them to a folder on your computer.

For other Scan options, see the *Online User's Guide: Scan Using the Scan Button on Your Brother Machine*

- 4** Press  (to File).
- 5** If the machine is connected to a network, press ▲ or ▼ to display the computer where you want to send the document, and then press the computer name.
- 6** Do one of the following:
- To change the settings, press *Options*, and then go to the next step.
 - To use the default settings, press *Start*.
The machine scans the document.
- 7** Select the scan settings you want to change:
- 2-sided Scan
 - Scan Settings
 - Scan Type
 - Resolution
 - File Type
 - Scan Size
 - Remove Background Color
(available only for the *Color* and *Gray* options.)
- 8** Make the changes you want, and then press *OK*.

- 9** Press *Start*.
The machine scans the document.

NOTE _____
Use the Scan button on the machine to make temporary changes to the scan settings. To make permanent changes, use Brother's ControlCenter software.


Before Faxing

Set Your Station ID

Related Models:



MFC-L2720DW/MFC-L2740DW

Set the machine to print your Station ID and the fax's date and time at the top of each fax you send.

- 1 Press  (Settings) > All Settings > Initial Setup > Station ID > Fax.
- 2 Enter your fax number (up to 20 digits) using the LCD, and then press **OK**.
- 3 Press **Tel.**
- 4 Enter your telephone number (up to 20 digits) using the LCD, and then press **OK**.
- 5 Press **Name**.

- 6 Enter your name (up to 20 characters) using the LCD, and then press **OK**.



- Press  to cycle between letters, numbers and special characters. (The characters available may differ depending on your country.)
- If you enter an incorrect character, press **◀** or **▶** to move the cursor to it and press . Press the correct character.
- To enter a space, press **Space**.
- For more information, see *Related Information*.

- 7 Press .

NOTE

(USA only) The Telephone Consumer Protection Act of 1991 makes it unlawful for any person to use a computer or electronic device to send any message via a telephone fax machine unless such messages clearly contain, in a margin at the top or bottom of each transmitted page, or on the first page of the transmission, the date and time it is sent and an identification of the business or other entity or other individual sending the message and the telephone number of the sending machine or such business, other entity or individual. To program this information into your machine, see Set the date and time and Set your Station ID.

Related Information

- How to Enter Text on Your Brother Machine on page 61

Set Telephone Line Compatibility for Interference and VoIP Systems


Related Models:

MFC-L2720DW/MFC-L2740DW

Problems sending and receiving faxes due to possible interference on the telephone line may be solved by lowering the modem speed to minimize errors in fax transmission. If you are using a Voice over IP (VoIP) service, Brother recommends changing the compatibility to Basic (for VoIP).



- VoIP is a type of phone system that uses an Internet connection, rather than a traditional phone line.

1 Press  (Settings) > All Settings > Initial Setup > Compatibility.

2 Press `High`, `Normal` or `Basic` (for VoIP).

Option	Description
High	Select <code>High</code> to set the modem speed at 33600 bps.
Normal	Select <code>Normal</code> to set the modem speed at 14400 bps.
Basic (for VoIP)	Select <code>Basic</code> (for VoIP) to reduce the modem speed to 9600 bps and turn off Error Correction Mode (ECM). Unless interference is a recurring problem on your telephone line, you may prefer to use it only when needed. To improve compatibility with most VoIP services,

Option	Description
	Brother recommends changing the compatibility setting to <code>Basic</code> (for VoIP).

3 Press .

Related Information

- Fax and Telephone Problems on page 49

Receive Modes

Related Models:

MFC-L2720DW/MFC-L2740DW

Some receive modes answer automatically (Fax Only Mode and Fax/Tel Mode). You may want to change the Ring Delay before using these modes.

Fax Only Mode

(`Fax` or `Fax only` in the Machine's Menu)

Fax Only Mode automatically answers every call as a fax.

Fax/Tel Mode

(`Fax/Tel` in the Machine's Menu)

Fax/Tel Mode helps you manage incoming calls, by recognizing whether they are fax or voice calls and handling them in one of the following ways:

- Faxes will be received automatically.
- Voice calls will start the F/T ring to tell you to pick up the call. The F/T ring is a fast pseudo/double-ring made by your machine.

Manual Mode

(Manual in the Machine's Menu)

Manual Mode turns off all automatic answering operations unless you are using the Distinctive Ring Receive feature.

To receive a fax in Manual Mode, lift the handset of the external telephone or press



(Fax) and then Hook.

When you hear fax tones (short repeating beeps), press Fax Start and then Receive to receive a fax. Use the Easy Receive feature to receive faxes when you have lifted a handset on the same line as the machine.

External TAD Mode

(External TAD in the Machine's Menu)

External TAD Mode lets an external answering device manage your incoming calls.

Incoming calls will be handled in the following ways:

- Faxes will be received automatically.
- Voice callers can record a message on the external TAD.

Choose the Correct Receive Mode

Related Models:

MFC-L2720DW/MFC-L2740DW

The correct Receive Mode for you is determined by the external devices and telephone subscriber services (Voice Mail, Distinctive Ring and so on) you will be using on the same line as the Brother machine.

Will you be using a Distinctive Ring number for receiving faxes?

Brother uses the term "Distinctive Ring" but different telephone companies may have other names for this service such as Custom Ringing, RingMaster, Personalized Ring, Teen Ring, Ident-A-Ring, Ident-A-Call, Data Ident-A-Call, Smart Ring and SimpleBiz Fax & Alternate Number Ringing. See *Related Information*: Distinctive Ring

Will you be using Voice Mail on the same telephone line as your Brother machine?

If you have Voice Mail on the same telephone line as your Brother machine, there is a strong possibility that Voice Mail and the Brother machine will conflict with each other when receiving incoming calls. See *Related Information*: Voice Mail

Will you be using a Telephone Answering Device on the same telephone line as your Brother machine?

Your external telephone answering device (TAD) will answer every call automatically. Voice messages are stored on the external TAD and fax messages are printed. Select External TAD Mode as your receive mode. See *Related Information*: Connection of an External Telephone Answering Device (TAD)

Will you be using your Brother machine on a dedicated fax line?

Your machine automatically answers every call as a fax. Select Fax Only Mode as your receive mode. See *Related Information*: Receive Modes

Will you be using your Brother machine on the same line as your telephone?


- **Do you want to receive voice calls and faxes automatically?**

The Fax/Tel Mode is used when sharing the Brother machine and your telephone on the same line. Select Fax/Tel Mode as your receive mode. See *Related Information*: Receive Modes

Important Note: You cannot receive voice messages on either Voice Mail or an answering machine if you selected the Fax/Tel Mode.

- **Do you expect to receive very few faxes?**

Choose Manual Mode as your receive mode. You control the telephone line and must answer every call yourself. See *Related Information*: Receive Modes

1 Press  (Settings) > All Settings > Fax > Setup Receive > Receive Mode.



If you cannot change the Receive Mode option, make sure the Distinctive Ring feature is set to Off.

2 Press ▲ or ▼ to display the Fax, Fax/Tel, External TAD, or Manual option, and then press the option you want.

3 Press .

Related Information

- Fax and Telephone Problems on page 49
-

Set the F/T Ring Time (Pseudo/Double-ring)



Related Models:


MFC-L2720DW/MFC-L2740DW

When you set the Receive Mode to Fax/Tel Mode, if the call is a fax, your machine will automatically receive it. However, if it is a voice call, the machine will sound the F/T ring (pseudo/double-ring) for the time you set in the F/T Ring Time option. When you hear the F/T ring, it means that a voice caller is on the line.

- The F/T Ring Time feature works when you set Fax/Tel Mode as the Receive Mode.

Because the F/T ring is made by the machine, extension and external telephones will not ring; however, you can still answer the call on any telephone.

- 1 Press  (Settings) > All
Settings > Fax > Setup Receive > F/T Ring Time.
- 2 Press how long you want the machine to ring to alert you that you have a voice call.
- 3 Press .

 Even if the caller hangs up during the pseudo/double-ringing, the machine will continue to ring for the set time.


Set the Number of Rings Before the Machine Answers (Ring Delay)

Related Models:


MFC-L2720DW/MFC-L2740DW

When somebody calls your machine, you will hear the normal telephone ring sound. The number of rings is set in the Ring Delay option.

- The Ring Delay setting sets the number of times the machine rings before it answers in the Fax Only Mode and the Fax/Tel Mode.
- If you have external or extension telephones on the same line as the machine, keep the Ring Delay setting of 4.

- 1 Press  (Settings) > All
Settings > Fax > Setup Receive > Ring Delay.

- 2 Press the number of rings you want the line to ring before the machine answers.

 If you select 0, the machine will answer immediately and the line will not ring at all (available only for some countries).

- 3 Press .

Store Numbers

Related Models:

MFC-L2720DW/MFC-L2740DW

Store fax and telephone numbers in the machine for quick dialing and broadcasting faxes to groups. When you dial a stored number, the LCD displays the number.




If you lose electrical power, the Address Book numbers that are in the machine's memory will not be lost.

Store Address Book Numbers

Related Models:

MFC-L2720DW/MFC-L2740DW

Use the Address Book to store up to 200 Addresses with a name.


1 Press  (Fax) > Address Book.

2 Do the following steps:

- a. Press **Edit**.
- b. Press **Add New Address**.
- c. Press **Name**.
- d. Enter the name using the LCD (up to 15 characters), and then press **OK**.
- e. Press **Address**.
- f. Enter the number using the LCD (up to 20 digits), and then press **OK**.



- If you downloaded Internet Fax:

To store an E-mail address to use with Internet Fax or Scan to E-mail server, press  and enter the E-mail address and press **OK**.

g. Press **OK**.


To store another Address Book number, repeat these steps.

3 Press .

Change or Delete Address Book Names or Numbers

Related Models:

MFC-L2720DW/MFC-L2740DW

1 Press  (Fax) > Address Book > **Edit**.

2 Do one of the following:

- Press **Change** to edit the names or fax or telephone numbers.


Press **▲** or **▼** to display the number you want to change, and then press it.

- To change the name, press **Name**. Enter the new name (up to 15 characters) using the LCD, and then press **OK**.
- To change the fax or telephone number, press **Address**. Enter the new fax or telephone number (up to 20 digits) using the LCD, and then press **OK**.

Press **OK** to finish.



How to enter text:

To change a character, press **◀** or **▶** to position the cursor to highlight the character you want to change, and then press . Enter the new character.

- To delete numbers, press **▲** or **▼** to display **Delete**, and then press **Delete**.

- Select the fax or telephone numbers you want to delete by pressing them to display a red check mark, and then press **OK**.

Press **Yes** to confirm.

3 Press 



Telephone Services and External Devices

Related Models:

MFC-L2720DW/MFC-L2740DW

You may be able to use the following services and connections with your Brother machine.



These are summaries of ways to connect your machine. For details about each topic, see the *Online User's Guide*.

Voice Mail

Related Models:

MFC-L2720DW/MFC-L2740DW

If you have voice mail service and your Brother machine on the same line, they will conflict with one another when receiving incoming calls. If you want the Brother machine to share a single line with your voice mail, you must either put the Brother machine's in Manual Mode or subscribe to your telephone company's Distinctive Ring service.

Distinctive Ring

Related Models:

MFC-L2720DW/MFC-L2740DW

Distinctive Ring is a telephone-company service that allows you to have two different phone numbers on a single line. Each telephone number has its own ring pattern. You can program your Brother machine to automatically receive faxes on one of the two numbers.

Voice Over Internet Protocol (VoIP)

Related Models:

MFC-L2720DW/MFC-L2740DW

VoIP is a phone system that uses an Internet connection instead of a traditional telephone line. Telephone providers frequently bundle VoIP with Internet and cable services. Your Brother machine may not work with some VoIP systems. For more information, contact your VoIP provider.

Connection of an External Telephone Answering Device (TAD)

Related Models:

MFC-L2720DW/MFC-L2740DW

Your Brother machine can automatically receive faxes when it shares a line with an external TAD. You must connect the TAD to the jack labeled EXT. on the Brother machine and set the machine's Receive Mode to External TAD.

External and Extension Telephones

Related Models:

MFC-L2720DW/MFC-L2740DW

You can connect a separate telephone to the jack labeled EXT. on the Brother machine. If you answer an incoming fax on the telephone, you can make the machine receive it by pressing * 5 1, or by pressing Fax Start, and then choosing Receive. If you answer an incoming fax on an extension telephone that shares the line with the Brother machine, you can transfer the fax to the machine by pressing * 5 1.

Send and Receive a Fax Using Your Machine

Send a Fax

Related Models:

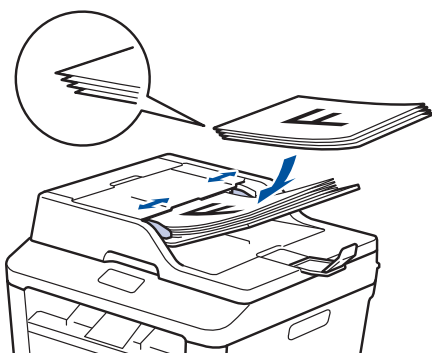
MFC-L2720DW/MFC-L2740DW

1 Load the correct size paper in the paper tray.

2 Do one of the following:

- Place the document *face up* in the ADF.

(If you are faxing multiple pages, we recommend using the ADF.)



- Place the document *face down* on the scanner glass.

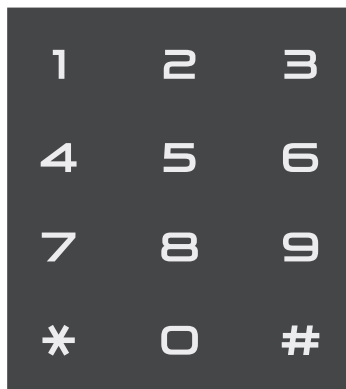


3 Press  (Fax).


4 Enter the fax number.




- **Using the dial pad**

Press the digits to enter the fax number.




- **Using the Address Book**



Press  (Address Book), and then do one of the following:

- Press  or  to display the number you want, and then press it.
- Press , and then enter the first letter of the name and press **OK**. Press the name you want to dial. If the name has two fax or telephone numbers, press the fax number you want.

When finished, press **Apply**.

- **Using the call history**

Press  (Call History), and then press the **Outgoing Call** option.

Press  or  to display the fax number you want, and then press it.


To send a fax, press **Apply**.

5 Press Fax Start.

The machine scans and sends the document.

If you placed the document on the scanner glass, follow the instructions in the table.

Option	Description
Yes	To scan the next page, press the Yes option, and then place the next page on the scanner glass. Press OK to scan the page.
No	After you have scanned the last page, press the No option. The machine sends the document.

To stop faxing, press .

Fax Using Your Computer (PC-FAX)

Send Faxes from Your Computer

Related Models:


MFC-L2720DW/MFC-L2740DW

The Brother PC-FAX feature lets you send a file, created in any application on your computer, as a standard fax and even attach a cover page.

For more information, see the *Online User's Guide: PC-FAX Overview (Macintosh)*

- 1 From your application select **File**, and then **Print**.
(The steps may vary depending on your application.)

The Print dialog box appears.

- 2 Select the **Brother PC-FAX**.
- 3 Click **OK**.
The **Brother PC-FAX** user interface appears.
- 4 Enter the recipient's fax number.
 - a. Use your computer keyboard or click the **Brother PC-FAX** user interface's numeric keypad.
 - b. Click .

 You can also select a stored number from the **Address Book**.

- 5 Click **Start**.
Your document is sent to the Brother machine and then faxed to the recipient.

Contact the application's vendor if you need more support.

Receive Faxes on Your Computer (Windows® only)


Related Models:

MFC-L2720DW/MFC-L2740DW


Use Brother's PC-FAX software to receive faxes on your computer, screen them, and print only those faxes you want.



- Even if you turn off your computer (at night or on the weekend, for example), your machine will receive and store your faxes in its memory. The number of received faxes that are stored in the memory appears on the LCD.
- When you start your computer and the PC-Fax Receive software runs, your MFC transfers your faxes to your computer automatically.
- For PC-Fax Receive to work, the PC-FAX Receive software must be running on your computer.
- Before you can set up PC-Fax Receive, you must install the MFL-Pro Suite software on your computer. Make sure your Brother machine is connected to your computer and turned on.
- If your machine displays an error and is unable to print faxes from memory, use PC-FAX to transfer your faxes to a computer.
- *PC-Fax Receive is not available for Macintosh.*

- 1 Do one of the following:
 - (Windows® XP, Windows Vista® and Windows® 7)
Click **Start > All Programs > Brother > Brother Utilities > PC-FAX Receive > Receive.**
 - (Windows® 8)
Click  (**Brother Utilities**), and then click the drop-down list and select your model name (if not already selected).

Click **PC-FAX Receive** in the left navigation bar, and then click **Receive.**

 - 2 Press  (Settings) > All Settings > Fax > Setup Receive > PC Fax Receive.



Press On.

The LCD displays a reminder to start the PC-FAX Receive program on your computer.

 - 3 Press OK.

For more information about how to start the PC-FAX Receive program, see the *Online User's Guide: PC-FAX for Windows®*

 - 4 Press <USB> or your computer name.
Press OK.

 - 5 Press Backup Print: On or Backup Print: Off.
-
-  If you choose Backup Print: On, the machine will print the fax at your machine before transferring it to your computer so you will have a copy.
-
- 6 Press .







Use this section to resolve problems you may encounter when using your Brother machine.


Identify the Problem

Even if there seems to be a problem with your machine, you can correct most problems yourself.

First, check the following:


- The machine's power cord is connected correctly and the machine's power is on.
- All of the machine's orange protective parts have been removed.
- Paper is inserted correctly in the paper tray.
- The interface cables are securely connected to the machine and the computer.
- Check the LCD or the machine's status in **Status Monitor** on your computer.

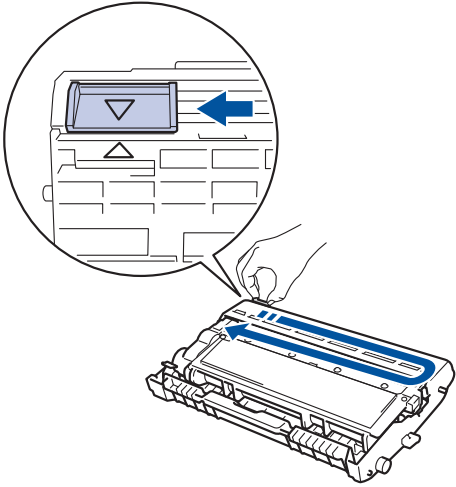
Find the Error	Find the Solution
<p>Using the Status Monitor</p>  <ul style="list-style-type: none"> • Double-click the  icon in the task tray. • (Windows®) If you check Load Status Monitor on Startup, the Status Monitor will launch automatically each time you start your PC. 	<ul style="list-style-type: none"> • A green icon indicates the normal stand-by condition. <ul style="list-style-type: none">  • A yellow icon indicates a warning. <ul style="list-style-type: none">  • A red icon indicates an error has occurred. <ul style="list-style-type: none">  • A gray icon indicates the machine is offline. <ul style="list-style-type: none">  • Click the Troubleshooting button to access Brother's troubleshooting website.


Find the Error	Find the Solution
<p>Using the LCD</p> 	<ol style="list-style-type: none"> 1. Follow the messages on the LCD. 2. See the <i>Online User's Guide: Error and Maintenance Messages</i> 3. Visit Frequently Asked Questions (FAQs) on the Brother Solutions Center at http://support.brother.com





Error and Maintenance Messages

The most common error and maintenance messages are shown in the table.

Error Message	Cause	Action
2-sided Disable	The back cover of the machine is not closed completely.	Close the back cover of the machine until it locks in the closed position.
Cartridge Error Put the Toner Cartridge back in.	The toner cartridge is not installed correctly.	Remove the toner cartridge and drum unit assembly. Take out the toner cartridge, and put it back in the drum unit again. Reinstall the toner cartridge and drum unit assembly in the machine.
Cover is Open.	The front cover is not completely closed.	Open and then firmly close the front cover of the machine.
	The fuser cover is not completely closed or paper was jammed in the back of the machine when you turned on the power.	Close the fuser cover located inside the back cover of the machine.
	The ADF cover is not completely closed.	Close the ADF cover of the machine. If the error message remains, press,  .
Document Jam	The document was not inserted or fed correctly, or the document scanned from the ADF was too long.	Remove the jammed paper from the ADF unit.

Error Message	Cause	Action
Drum End Soon	The drum unit is near the end of its life.	Order a new drum unit before you get the <code>Replace Drum</code> message.
Drum !	The corona wire on the drum unit must be cleaned.	Clean the corona wire on the drum unit. 
	The drum unit or the toner cartridge and drum unit assembly is not installed correctly.	Put the toner cartridge in the drum unit. Reinstall the toner cartridge and drum unit assembly in the machine.
Jam 2-sided	The paper is jammed underneath the paper tray or the fuser unit.	Pull the paper tray and the 2-sided tray out completely, open the back cover and then remove the jammed paper. Close the back cover, and put the paper tray and the 2-sided tray firmly back in the machine.
Jam Inside	The paper is jammed inside the machine.	Open the front cover and remove the toner cartridge and drum unit assembly. Pull out the jammed paper. Close the front cover.
Jam Rear	The paper is jammed in the back of the machine.	Open the fuser cover and remove the jammed paper. Close the fuser cover. If the error message remains, press <code>Retry</code> .
Jam Tray	The paper is jammed in the paper tray.	Pull the paper tray out completely and remove the jammed paper. Put the paper tray firmly back in the machine.
Manual Feed	Manual was selected as the paper source in the printer driver when there was no paper in the manual feed slot.	Place paper in the manual feed slot.

Error Message	Cause	Action
No Paper	The machine is out of paper, or paper is not loaded correctly in the paper tray.	Do one of the following: <ul style="list-style-type: none"> • Refill paper in the paper tray. Make sure the paper guides are set to the correct size. • Remove the paper and load it again. Make sure the paper guides are set to the correct size. • Make sure not to overfill the paper tray.
No Toner	The toner cartridge is not installed or is not installed correctly.	Remove the drum unit and toner cartridge assembly. Install the toner cartridge in the drum unit correctly. Reinstall the toner cartridge and drum unit assembly in the machine. If the problem continues, replace the toner cartridge.
Print Unable XX	The machine has a mechanical problem.	<ul style="list-style-type: none"> • Press and hold  to turn off the machine, wait a few minutes, and then turn it on again. • If the problem continues, contact Brother Customer Service. Contact Brother Customer Service at: 1-877-BROTHER (1-877-276-8437) (in USA) www.brother.ca/support (in Canada) or to locate a Brother Authorized Service Center, visit: http://www.brother-usa.com/service
Replace Drum	It is time to replace the drum unit.	Replace the drum unit.
	The drum unit counter was not reset when a new drum was installed.	Reset the drum unit counter. See the instructions included with the new drum unit. For more information, see the <i>Online User's Guide</i> : <i>Replace the Drum Unit</i>
Replace Toner	The toner cartridge is at the end of its life. The machine stops all print operations. While memory is available, faxes are stored in the memory.	Replace the toner cartridge with a new one.

Error Message	Cause	Action
Scan Unable	The document is too long for 2-sided scanning.	Press  . Use an appropriate size paper for 2-sided scanning.
Scan Unable XX	The machine has a mechanical problem.	<ul style="list-style-type: none"> • Press and hold  to turn off the machine, and then turn it on again. • If the problem continues, contact Brother Customer Service. Contact Brother Customer Service at: 1-877-BROTHER (1-877-276-8437) (in USA) www.brother.ca/support (in Canada) or to locate a Brother Authorized Service Center, visit: http://www.brother-usa.com/service
Self-Diagnostic	The temperature of the fuser unit does not rise to a specified temperature within the specified time.	Press and hold  to turn off the machine, wait a few seconds, and then turn it on again. Leave the machine idle for 15 minutes with the power on.
	The fuser unit is too hot.	
Size Error 2-sided	The paper size specified in the printer driver and the machine's menu are not available for automatic 2-sided printing.	Press  . Choose a paper size supported by 2-sided printing. Paper sizes available for automatic 2-sided printing are Letter, Legal and Folio.
	The paper in the tray is not the correct size and is not available for automatic 2-sided printing.	Load the correct size of paper in the tray and set the tray for that paper size. Paper sizes available for automatic 2-sided printing are Letter, Legal and Folio.
Size mismatch	The paper in the tray is not the correct size.	Load the correct size of paper in the tray and set the size of paper to the tray.
Toner Ended	The toner cartridge is at the end of its life.	Replace the toner cartridge with a new one.
Toner Low	If the LCD displays this message you can still print. The toner cartridge is near the end of its life.	Order a new toner cartridge now so you have it ready when the LCD displays <code>Replace Toner</code> .

Fax and Telephone Problems

Related Models:

MFC-L2720DW/MFC-L2740DW

If you cannot send or receive a fax, check the following:

- 1 Connect one end of the telephone line cord to the area labelled "LINE", and then connect the other end of the telephone line cord directly to a telephone wall jack.

If you can send and receive faxes when the telephone line is directly connected to the fax, the problem may be unrelated to the machine. Please contact your telephone service provider for connection issues.

- 2 Check the receive mode.

See *Related Information*:

- Receive Modes
- Choose the Correct Receive Mode

- 3 Try changing the compatibility settings.

You may be able to send and receive faxes by lowering the connection speed.

For more information, see *Related Information*: Set Telephone Line Compatibility for Interference and VoIP Systems

If the problem still is not resolved, turn the machine off, and then turn it on.



Related Information

- Choose the Correct Receive Mode on page 34
 - Set Telephone Line Compatibility for Interference and VoIP Systems on page 32
-

Troubleshooting for Other Fax Problems

Related Models:

MFC-L2720DW/MFC-L2740DW

Difficulties	Suggestions
Cannot send a fax.	Check all line cord connections. Make sure the telephone line cord is plugged into the telephone wall jack and the LINE jack of the machine. If you subscribe to DSL, VoIP or MagicJack services, call your service provider for connection instructions.
	Make sure you pressed Fax and the machine is in Fax mode.
	Print the Transmission Verification Report and check for an error.
	Contact your administrator to check your Secure Function Lock Settings.
	Ask the other party to check that the receiving machine has paper.
Cannot receive a fax.	Make sure your machine has a dial tone by pressing HOOK . If you hear static or interference on your fax line, contact your local telephone company.
	<p>If you are using a telephone answering machine (External TAD mode) on the same line as the Brother machine, make sure your answering machine is set up correctly.</p> <ol style="list-style-type: none"> 1. Plug the telephone line cord directly from the wall telephone jack to your Brother machine's LINE jack. 2. Remove the protective cap from your Brother machine's EXT jack, and then plug the telephone line cord from your answering machine into the EXT jack. 3. Set your answering machine to answer within four rings. If you are having problems receiving faxes or voice messages, set your answering machine to answer within two or three rings. 4. Connect the external TAD correctly. 5. Set your answering machine to answer in one or two rings. 6. Record the outgoing message on your answering machine. <ul style="list-style-type: none"> • Record five seconds of silence at the beginning of your outgoing message. • Limit your speaking to 20 seconds. • End your outgoing message with your Fax Receive Code for people sending manual faxes. For example: "After the beep, leave a message or press *51 and Start to send a fax." 7. Set your answering machine to answer calls. 8. Set your Brother machine's Receive Mode to External TAD.
	Make sure your Brother machine's Easy Receive feature is turned On. Easy Receive allows you to receive a fax even if you answered the call on an external or extension telephone.

Difficulties	Suggestions
Received faxes appear as split pages.	Turn on Auto Reduction.
Dialing does not work. (No dial tone)	Check all line cord connections. Change <code>Tone/Pulse</code> setting. (Available only for some countries)
Poor sending quality.	Try changing your resolution to <code>Fine</code> or <code>S.Fine</code> .
	Make a copy to check your machine's scanner operation. If the copy quality is not good, clean the scanner. For more information, see the <i>Online User's Guide: Telephone and Fax Problems</i>
Vertical black lines when sending.	Black vertical lines on faxes you send are typically caused by dirt or correction fluid on the glass strip. For more information, see the <i>Online User's Guide: Clean the Scanner</i>

Print or Scan Problems

If you cannot print or scan a document, check the following:


- 1 All of the machine's protective parts have been removed.
- 2 The interface cables are securely connected to the machine and the computer.
- 3 The printer or scanner driver has been installed correctly.
To make sure the printer or scanner driver is installed on your computer, see *Related Information: Other Problems*
- 4 (Scan problem only)
Confirm the machine is assigned with an available IP address. (Windows®)

a. Do one of the following:

(Windows® XP)

Click **Start > Control Panel > Printers and Other Hardware > Scanners and Cameras.**

(Windows Vista®)


Click  > **(Start) > Control Panel > Hardware and Sound > Scanners and Cameras.**

(Windows® 7)

Click  **(Start) > All Programs > Brother > Brother Utilities.**

Click the drop-down list and select your model name (if not already selected). Click **SCAN** in the left navigation bar, and then click **Scanners and Cameras.**

(Windows® 8)

Click  **(Brother Utilities)**, and then click the drop-down list and select your model name (if not

already selected). Click **SCAN** in the left navigation bar, and then click **Scanners and Cameras.**

b. Do one of the following:

(Windows® XP)

Right-click a scanner device, and then select **Properties**. The Network Scanner Properties dialog box appears.

(Windows Vista®, Windows® 7 and Windows® 8)

Click the **Properties** button.

c. Click the **Network Setting** tab to confirm the machine's IP address.

Try printing with your machine. If the problem still remains, uninstall and reinstall the printer driver.

5 If the problem still remains after trying all the above, try the following:

For a USB interface connection

- Change the USB cable for a new one.
- Use a different USB port.

For a Wired Network connection

- Change the LAN cable for a new one.
- Use a different LAN port on your hub.
- Make sure your machine's wired connection is on.

For more information, see the *Online User's Guide: Select Your Network Connection Type*

For a Wireless Network connection

- Confirm your machine's Wi-Fi light status.

If the Wi-Fi light on your machine's control panel is blinking, your machine has not been connected to the WLAN access point. Set up the wireless network connection again.

If the Wi-Fi light on your machine's control panel is off, the WLAN connection setting is disabled.

Enable the WLAN connection and set up the wireless network connection.

For more information, see the *Online User's Guide: Introduction to Your Brother Machine*

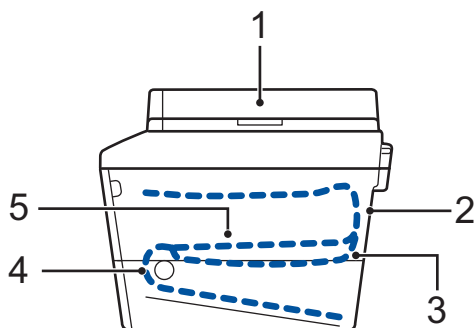
If you cannot print on both sides of paper, check the following:

- 6** Change the paper size setting in the printer driver to Letter, Legal, or Folio.

Document and Paper Jams

Find the Jammed Document or Paper

If your document or paper jams inside the machine, the LCD message or Status Monitor will help you to find it.

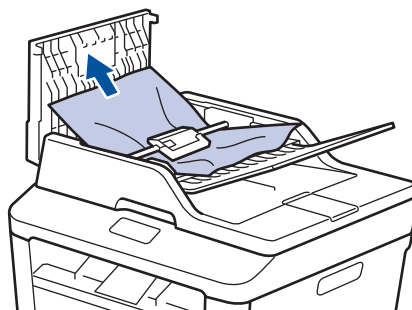


1. Document Jam
2. Jam Rear
3. Jam 2-sided
4. Jam Tray
5. Jam Inside

Clear the Document Jam

The Document is Jammed in the Top of the ADF

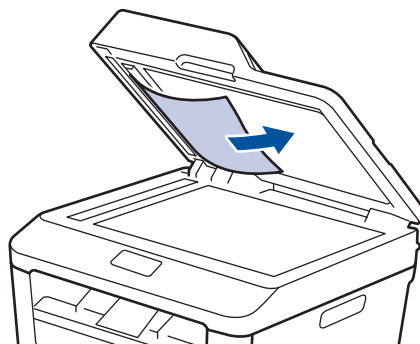
- 1 Open the ADF cover.
- 2 Pull the jammed document out to the left.



- 3 Close the ADF cover.

The Document is Jammed under the Document Cover

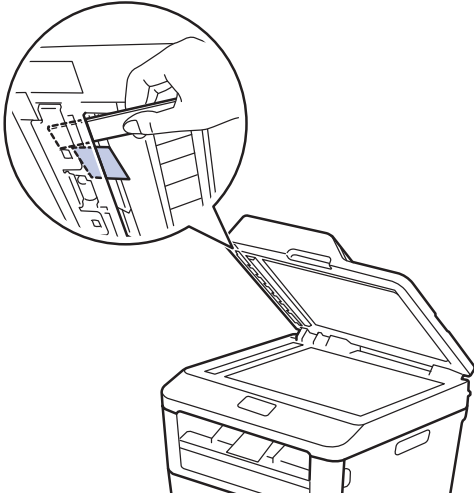
- 4 Pull the jammed document out to the right.



If the document rips or tears, remove all small paper scraps to prevent future jams.

Remove Small Paper Scraps Jammed in the ADF

- 5 Insert a strip of stiff paper, such as cardstock, into the ADF to push any small paper scraps through.



If the document rips or tears, remove all small paper scraps to prevent future jams.

- 6 Press .

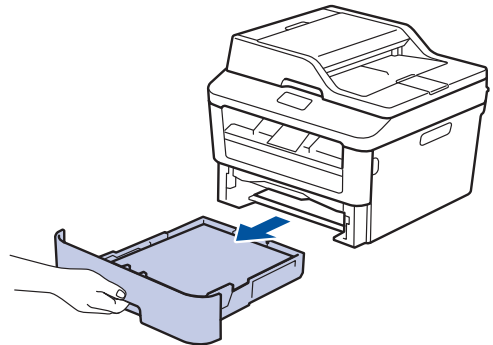
Clear the Paper Jam

Always remove the remaining paper from the paper tray and straighten the stack when you are adding new paper. This helps prevent multiple sheets of paper from feeding through the machine at one time and prevents paper jams.

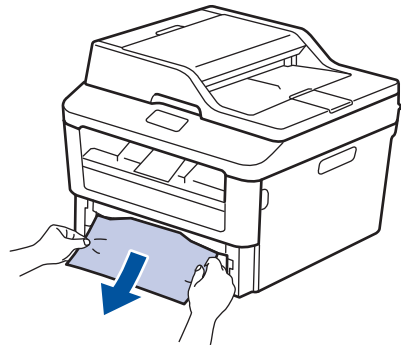
Paper is Jammed in the Paper Tray

If the LCD displays `Jam Tray`, do the following:

- 1 Pull the paper tray completely out of the machine.

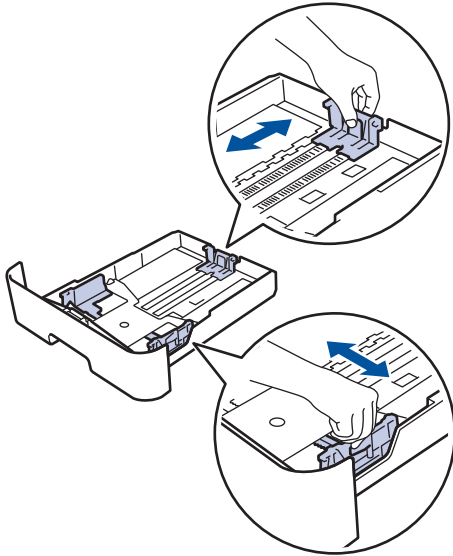


- 2 Slowly pull out the jammed paper.

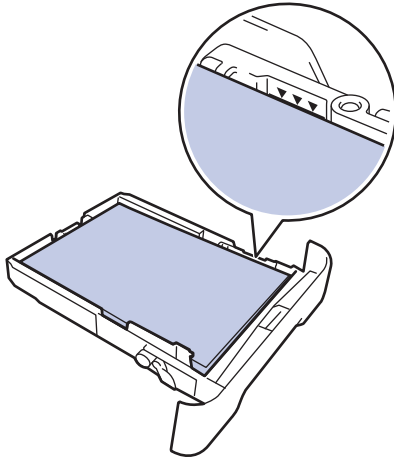


The easiest way to remove the paper is to use both hands to pull it downward.

- 3** Fan the stack of paper to prevent further jams, and slide the paper guides to fit the paper size.



- 4** Make sure the paper is below the maximum paper mark (▼▼▼).

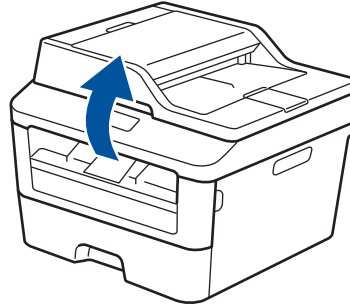


- 5** Put the paper tray firmly back in the machine.

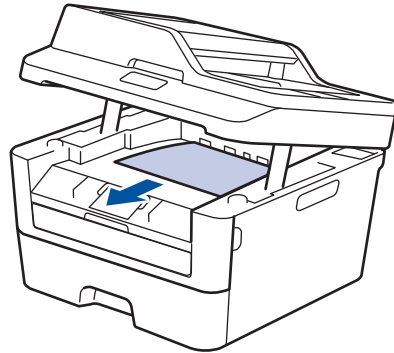
Paper is Jammed in the Output Paper Tray

When the paper is jammed in the output paper tray, do the following:

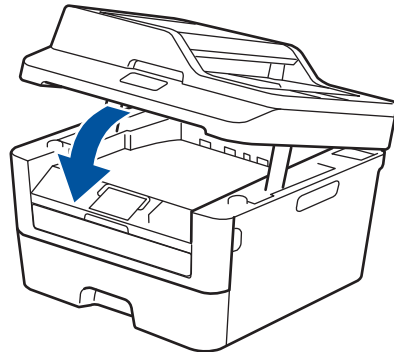
- 1** Use both hands to open the scanner.



- 2** Remove the paper.



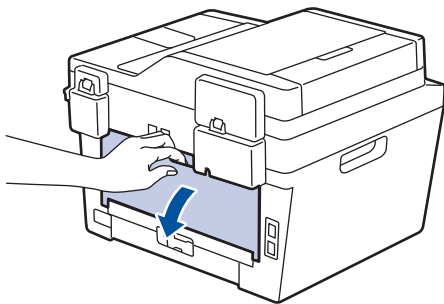
- 3** Push the scanner down with both hands to close it.



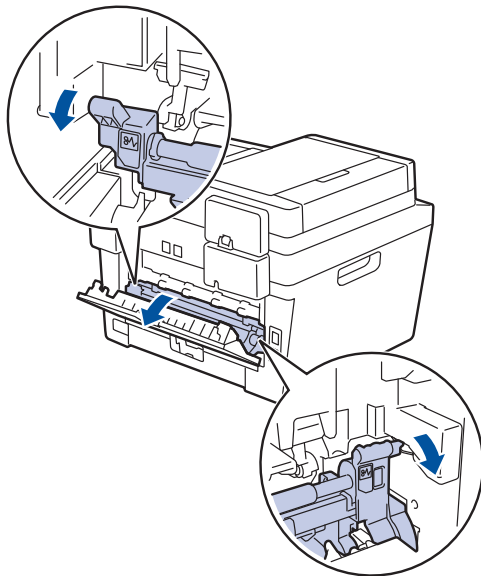
Paper is Jammed at the Back of the Machine

If the machine's control panel or the Status Monitor indicates that there is a jam in the back (Rear) of the machine, complete the following:

- 1 Leave the machine turned on for 10 minutes. This allows the internal fan to cool the extremely hot parts inside the machine.
- 2 Open the back cover.



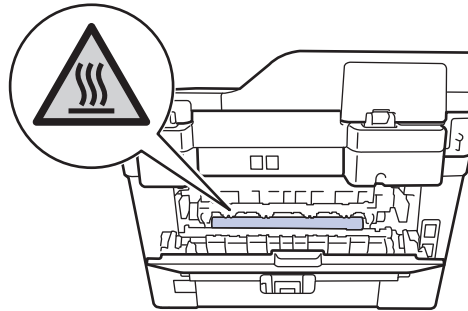
- 3 Pull the blue tabs at the left and right sides toward you to release the fuser cover.



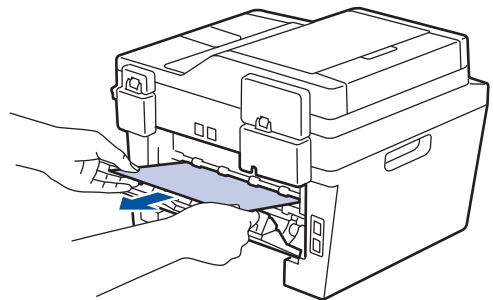
⚠ WARNING

HOT SURFACE

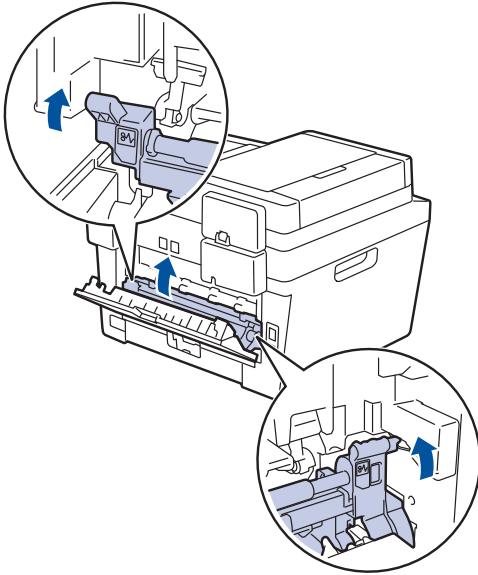
The machine's internal parts will be extremely hot. Wait for the machine to cool down before touching them.



- 4 Use both hands to gently pull the jammed paper out of the fuser unit.



- 5** Close the fuser cover. Make sure the blue tabs at the left and right sides lock into place.



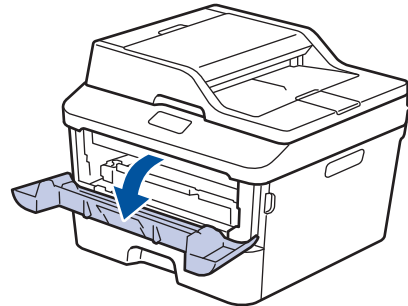
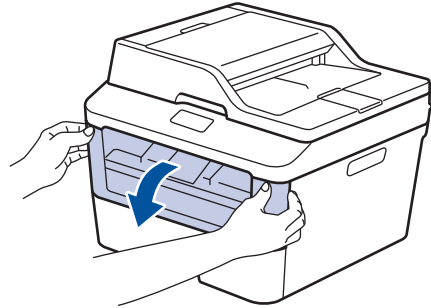
- 6** Close the back cover until it locks in the closed position.

Paper is Jammed inside the Machine

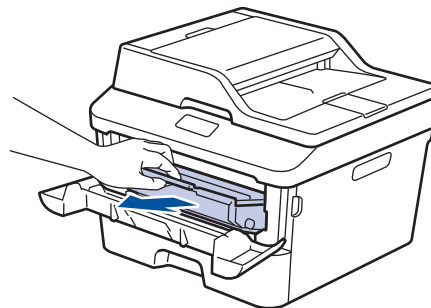
If the machine's control panel or the Status Monitor indicates that there is a jam inside the machine, complete the following:

- 1** Leave the machine turned on for 10 minutes. This allows the internal fan to cool the extremely hot parts inside the machine.

- 2** Open the front cover.



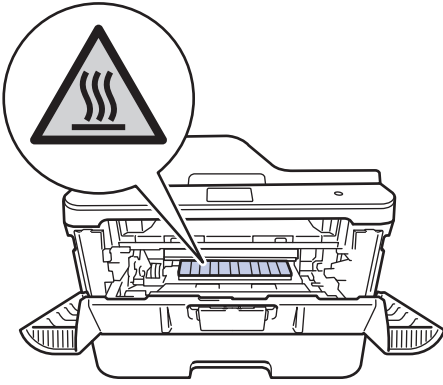
- 3** Remove the toner cartridge and drum unit assembly.



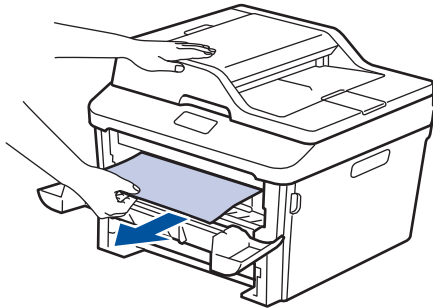
⚠ WARNING

HOT SURFACE

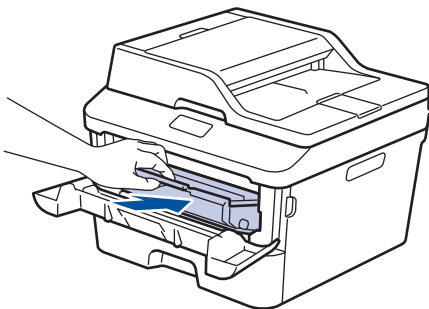
The machine's internal parts will be extremely hot. Wait for the machine to cool down before touching them.



- 4** Pull out the jammed paper slowly.



- 5** Install the toner cartridge and drum unit assembly into the machine.

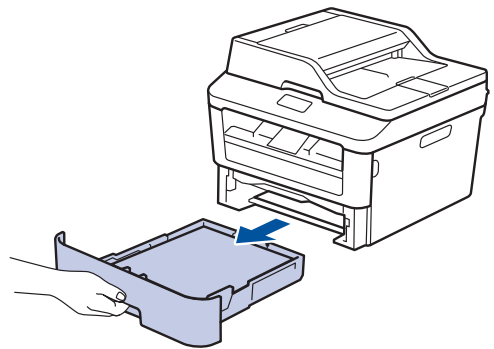


- 6** Close the front cover.

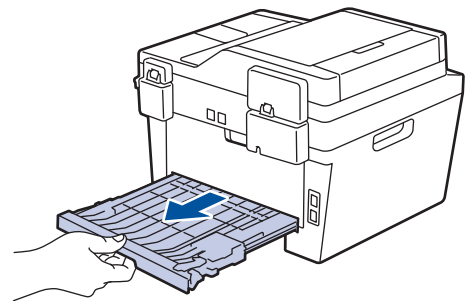
Paper is Jammed in the 2-sided Tray

If the machine's control panel or the Status Monitor indicates that there is a jam in the 2-sided paper tray, do the following:

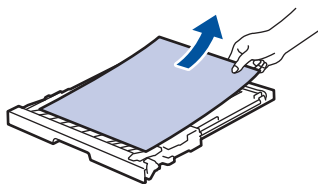
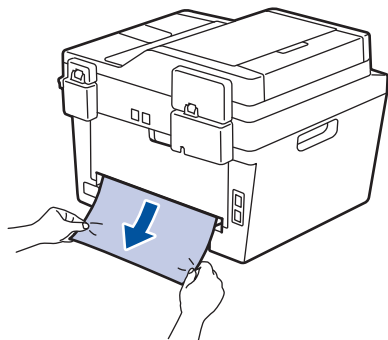
- 1** Leave the machine turned on for 10 minutes. This allows the internal fan to cool the extremely hot parts inside the machine.
- 2** Pull the paper tray completely out of the machine.



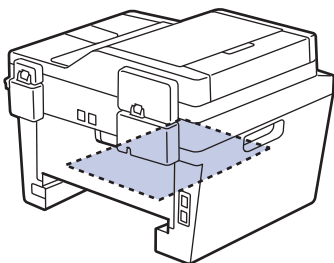
- 3** At the back of the machine, pull the 2-sided tray completely out of the machine.



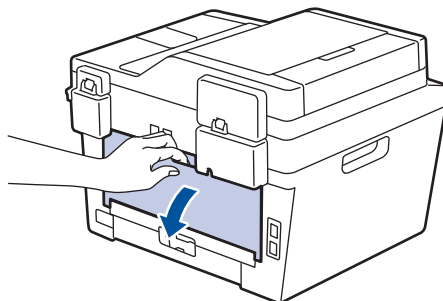
- 4** Pull the jammed paper out of the machine or out of the 2-sided tray.



- 5** Remove paper that may have jammed under the machine due to static electricity.



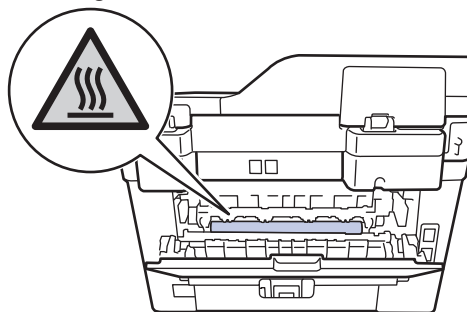
- 6** If paper is not caught inside the 2-sided tray, open the back cover.



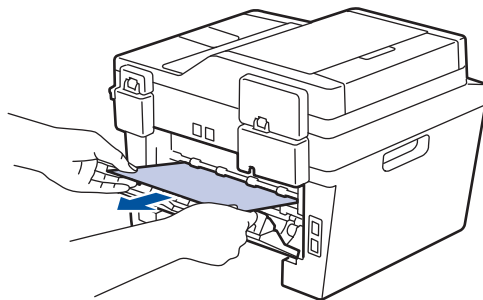
! WARNING

HOT SURFACE

The machine's internal parts will be extremely hot. Wait for the machine to cool down before touching them.



- 7** Use both hands to gently pull the jammed paper out of the back of the machine.

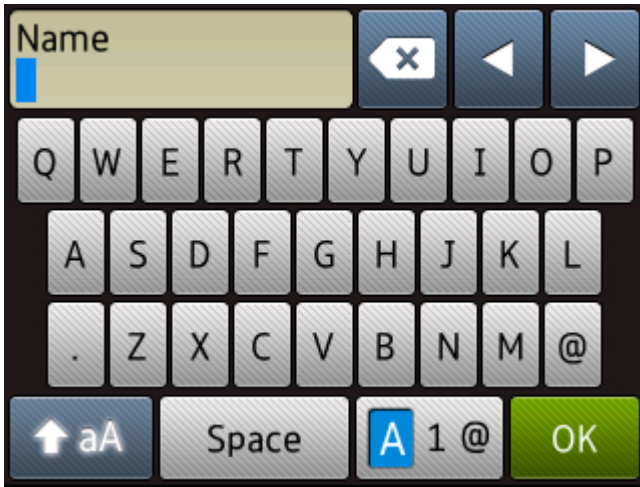


- 8** Close the back cover until it locks in the closed position.

- 9** Put the 2-sided tray firmly back in the rear of the machine.

How to Enter Text on Your Brother Machine

- When you must enter text on your Brother machine, a keyboard appears on the LCD.
- The characters that are available may differ depending on your country.
- The keyboard layout may differ depending on the function you are setting.



- Press to cycle between letters, numbers and special characters.
- Press to cycle between lowercase and uppercase letters.
- To move the cursor to the left or right, press or .

Inserting spaces

- To enter a space, press *Space*.

Making corrections

- If you entered a character incorrectly and want to change it, press or to move the cursor to the incorrect character and press . Enter the correct character.
- To insert a character, press or to move the cursor to the correct place, and then enter the character.
- Press for each character you want to erase, or press and hold to erase all the characters.

Related Information

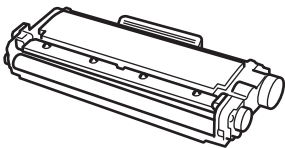
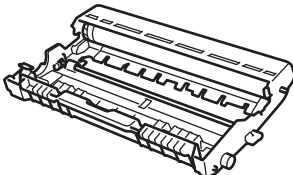
- Set Your Station ID on page 31
-

Supplies

When the time comes to replace supplies such as the toner or drum, an error message will appear on your machine's control panel or in the Status Monitor. For more information about the supplies for your machine, visit <http://www.brother.com/original/index.html> or contact your local Brother reseller.



The toner cartridge and drum unit are two separate parts.

Toner Cartridge	Drum Unit
<p>Standard Toner: TN-630</p> <p>High Yield Toner: TN-660</p>	<p>DR-630</p>
	



If you are using Windows[®], double-click the Brother CreativeCenter icon on your desktop to access our **FREE** website designed as a resource to help you easily create and print customized materials for business and home use with photos, text and creative touch. Mac users can access Brother CreativeCenter at this web address: <http://www.brother.com/creativecenter>

A

Accessories and Supplies.....	iv
Address Book	
changing	37
storing	37
ADF (Automatic Document Feeder)...	19, 23, 24, 29, 40
Automatic	
fax receive.....	32, 34

B

Brother	
Brother numbers.....	i
Customer Service.....	ii
FAQs (Frequently Asked Questions)..	i
product support.....	ii
service centers.....	ii

C

Control Panel Overview.....	1
Copy.....	19
settings.....	21

D

Date and time.....	7
Distinctive Ring.....	34, 39
Document	
how to load.....	19, 29, 40

E

Entering Text.....	61
Envelopes.....	15
Error messages.....	45

F

Fax	
F/T ring time.....	36
receive mode.....	32, 34
ring delay.....	36

station ID.....	31
telephone line compatibility.....	32
fax receive.....	34
Fax, from PC.....	42

J

Jams.....	54
document	54
paper	55

L

Labels.....	11
LCD (Liquid Crystal Display).....	1, 3, 4

M

Maintenance messages.....	45
Manual	
receive	32, 34
Manual feed slot.....	15, 17

P

Paper	
how to load	9
type	11
Print.....	13

R

Receive Mode.....	32, 34
-------------------	--------

S

Scan.....	28
Supplies.....	62

T

TAD (Telephone Answering Device), external.....	32, 39
Troubleshooting	
document and paper jams	54

Error and Maintenance Messages . 45
fax and telephone problems49
print or scan problems52

V

Voice Mail.....34, 39
VoIP systems..... 32, 39
Volume..... 7

W

Warranties
Notice - Disclaimer v

Brother International Corporation
200 Crossing Boulevard
P.O. Box 6911
Bridgewater, NJ 08807-0911 USA

Brother International Corporation (Canada) Ltd.
1 rue Hôtel de Ville,
Dollard-des-Ormeaux, QC, Canada H9B 3H6

brother

Visit us on the World Wide Web
<http://www.brother.com>

These machines are approved for use in the country of purchase only. Local Brother companies or their dealers will support only machines purchased in their own countries.



LEM603001-00
USA/CAN
Version 0