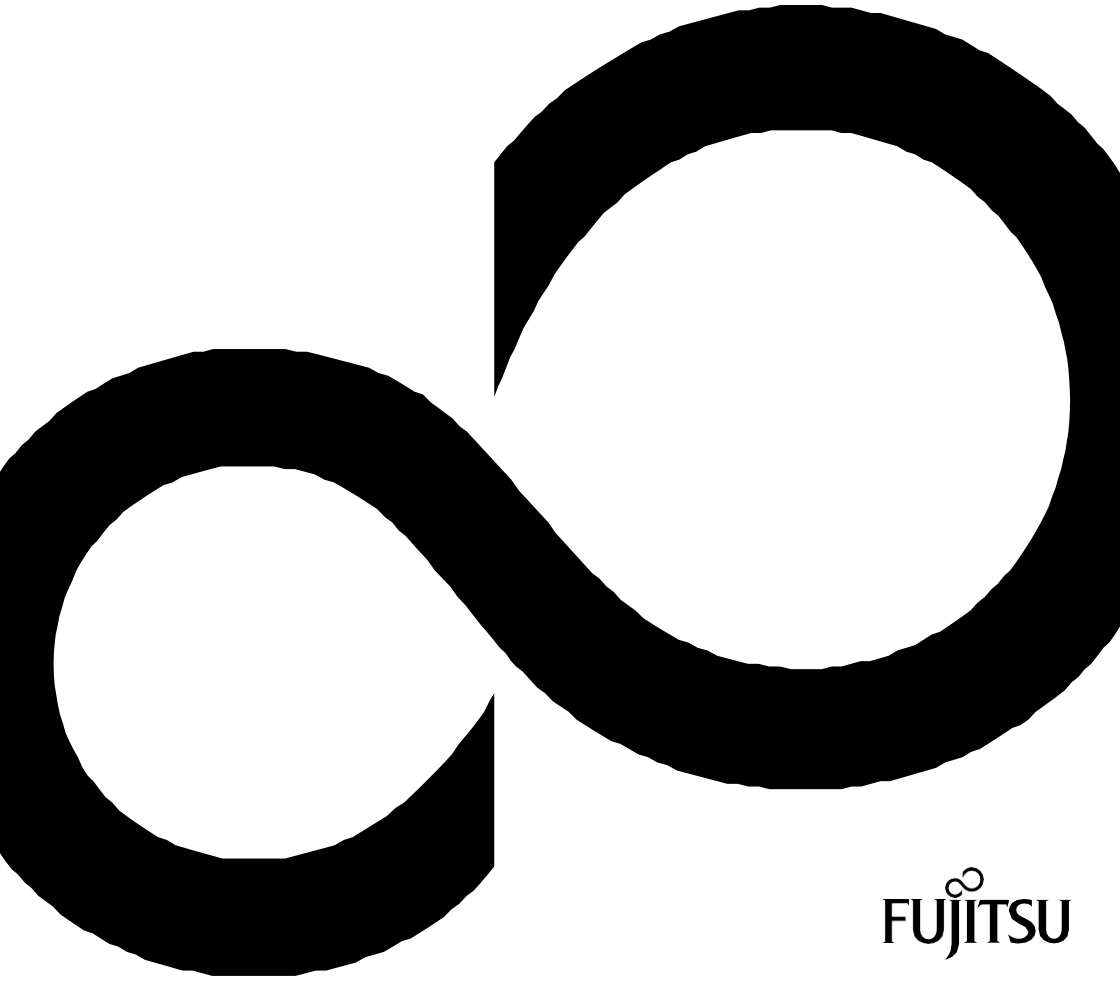


# FUJITSU LIFEBOOK P727





**Contact address in North America**

FUJITSU AMERICA INC.

1250 East Arques Avenue, Sunnyvale, CA 94085-3470, U.S.A.

["http://solutions.us.fujitsu.com"](http://solutions.us.fujitsu.com)

["http://solutions.us.fujitsu.com/contact"](http://solutions.us.fujitsu.com/contact)

Have a question? Email us at: ["AskFujitsu@us.fujitsu.com"](mailto:AskFujitsu@us.fujitsu.com)

FPC65-7691-01

# FUJITSU LIFEBOOK P727

## Operating Manual

<b>Declarations of conformity</b>	<b>7</b>
<b>Fujitsu Contact Information</b>	<b>8</b>
<b>Ports and controls</b>	<b>10</b>
<b>Important notes</b>	<b>13</b>
<b>First-time setup of your device</b>	<b>18</b>
<b>Working with the notebook</b>	<b>22</b>
<b>Security functions</b>	<b>62</b>
<b>Connecting external devices</b>	<b>71</b>
<b>Removing and installing components during servicing</b>	<b>77</b>
<b>Settings in BIOS Setup Utility</b>	<b>87</b>
<b>Troubleshooting and tips</b>	<b>90</b>
<b>Technical data</b>	<b>98</b>
<b>Manufacturer's notes</b>	<b>103</b>
<b>Declarations of conformity</b>	<b>106</b>
<b>FCC Regulatory Information</b>	<b>107</b>
<b>Canada, Industry Canada (IC)</b>	<b>110</b>
<b>Appendix</b>	<b>112</b>
<b>Index</b>	<b>123</b>

## **Copyright and Trademark Information**

Fujitsu America, Incorporated has made every effort to ensure the accuracy and completeness of this document; however, as ongoing development efforts are continually improving the capabilities of our products, we cannot guarantee the accuracy of the contents of this document. We disclaim liability for errors, omissions, or future changes.

Fujitsu, the Fujitsu logo and LIFEBOOK are registered trademarks of Fujitsu Limited or its subsidiaries in the United States and other countries.

Intel and Intel Core are trademarks or registered trademarks of Intel Corporation or its subsidiaries in the United States and other countries.

Microsoft and Windows are either registered trademarks or trademarks of Microsoft Corporation in the United States and/or other countries.

Bluetooth is a trademark of Bluetooth SIG, Inc., USA.

The terms HDMI and HDMI High-Definition Multimedia Interface, and the HDMI Logo are trademarks or registered trademarks of HDMI Licensing, LLC in the United States and other countries.

The terms HDMI and HDMI High-Definition Multimedia Interface and the HDMI Logo are either a registered trademarks or trademarks of HDMI Licensing, LLC in the United States and/or other countries.

OmniPass is a trademark of Softex, Inc.

Roxio is a trademark of Roxio, a division of Sonic Solutions.

YouCam is a trademark of CyberLink Corp.

Adobe, Acrobat, and Adobe Reader are either a registered trademarks or trademarks of Adobe Systems Incorporated in the United States and/or other countries.

The DVD player found in some models of the LIFEBOOK notebook incorporates copyright protection technology that is protected by method claims of certain U.S. patents and other intellectual property rights owned by Macrovision Corporation and other rights users. Use of this copyright protection technology must be authorized by Macrovision Corporation, and is intended for home and other limited viewing uses only unless authorized by Macrovision Corporation. Reverse engineering or disassembly is prohibited.

All other trademarks specified here are the property of their respective owners.

# Contents

<b>Declarations of conformity</b> .....	<b>7</b>
<b>Fujitsu Contact Information</b> .....	<b>8</b>
Notational conventions .....	9
<b>Ports and controls</b> .....	<b>10</b>
<b>Important notes</b> .....	<b>13</b>
Safety instructions .....	13
Additional safety notes for devices with radio components .....	14
Energy saving .....	14
Energy saving under Windows .....	14
Traveling with your notebook .....	15
Before you travel .....	15
Transporting the notebook .....	16
Storing the notebook .....	16
Cleaning the notebook .....	17
Further information on cleaning the notebook .....	17
<b>First-time setup of your device</b> .....	<b>18</b>
Unpacking and checking the device .....	18
Choose a location .....	19
Connecting the AC adapter .....	19
Switching on the device for the first time .....	20
Installing Bonus Apps .....	21
<b>Working with the notebook</b> .....	<b>22</b>
Status indicators .....	22
Opening the notebook .....	26
Switching the notebook on .....	27
Programming the ON/OFF button .....	27
Different ways to use your notebook .....	28
From notebook to Tablet PC .....	28
Select display orientation (portrait or landscape format) .....	29
From Tablet PC to notebook .....	30
Switching off the notebook .....	31
Closing the notebook .....	32
Handwriting recognition .....	32
LCD screen .....	33
Ambient light sensor .....	33
Using the device as a Tablet PC .....	33
Using your fingers .....	33
Using the stylus .....	34
Using the device as a notebook .....	38
Touchpad and touchpad buttons .....	38
Keyboard .....	39
Virtual number keys .....	42
Country and keyboard settings .....	42
Key combinations .....	43
Webcam .....	45
Rechargeable battery .....	46
Charging, caring for and maintaining the battery .....	46

Removing and installing the battery.....	47
Using the energy saving functions.....	50
Memory cards.....	51
Supported formats.....	51
Inserting the memory card.....	51
Removing the memory card.....	52
Speaker and microphone.....	52
SIM card.....	53
Inserting a SIM card.....	53
Removing a SIM card.....	54
Optional wireless LAN / Bluetooth / 4G wireless components.....	55
Switching the wireless components on and off.....	55
Configuring WLAN access.....	55
Further information on WLAN and Bluetooth.....	55
Access via 4G.....	56
UMTS/LTE antenna.....	56
Ethernet and LAN.....	57
Your USB Type-C™ port replicator (optional).....	57
Ports on the port replicator.....	58
Setting up the port replicator.....	58
Connecting the AC adapter to the port replicator.....	59
Connecting the notebook to the port replicator.....	60
Switching on the notebook via the port replicator.....	61
Switching off notebook via port replicator.....	61
Disconnecting the notebook from the port replicator.....	61
<b>Security functions.....</b>	<b>62</b>
Brief overview of the security functions.....	63
Configuring the fingerprint sensor (configuration dependent).....	64
Configuring the palm sensor (configuration dependent).....	65
Using the Security Lock.....	65
Configuring password protection in BIOS Setup Utility.....	66
Protecting BIOS Setup Utility (supervisor password and user password).....	66
Password protection for booting the operating system.....	67
Password protection for the hard disk.....	68
Smart Card reader (configuration-dependent).....	68
Inserting the Smart Card.....	68
Trusted Platform Module - TPM.....	68
Enabling TPM.....	69
Disabling TPM.....	69
Activating password entry via OnScreen keyboard (OnScreen keyboard for BitLocker password).....	70
<b>Connecting external devices.....</b>	<b>71</b>
HDMI port.....	71
Connecting an external monitor.....	72
Connecting USB devices.....	73
USB port with charging function (USB Type-C™).....	74
USB port with charging function (Anytime USB charge).....	75
How to remove USB devices correctly.....	75
Headphones/microphone/Line-In/Line-Out/headset-combi port.....	76
<b>Removing and installing components during servicing.....</b>	<b>77</b>
Notes on installing and removing boards and components.....	77

Preparing to remove components.....	78
Remove the cover.....	79
Removing and installing memory expansion.....	80
Removing a memory module.....	81
Installing a memory module.....	82
Installing and removing an M.2 module.....	83
Removing the M.2 module.....	83
Installing the M.2 module.....	84
Attaching the cover.....	86
Finishing component removal.....	86
<b>Settings in BIOS Setup Utility.....</b>	<b>87</b>
Starting the BIOS Setup Utility.....	87
BIOS Setup Utility operation.....	88
Exiting BIOS Setup Utility.....	89
Exit Saving Changes - save changes and exit BIOS Setup Utility.....	89
Exit Discarding Changes - Reject changes and exit BIOS Setup Utility.....	89
Load Setup Defaults – load default values.....	89
Discard Changes - Discard Changes without exiting BIOS Setup Utility.....	89
Save Changes - save changes without exiting the BIOS Setup Utility.....	89
Save changes and power off.....	89
<b>Troubleshooting and tips.....</b>	<b>90</b>
Help if problems occur.....	90
Recovering your Factory Image.....	90
The notebook's date or time is incorrect.....	91
Battery indicator does not illuminate.....	91
When certain characters are entered on the keyboard, only numerals are written.....	91
The notebook's LCD screen remains blank.....	91
The LCD screen of the notebook is difficult to read.....	92
The external monitor remains blank.....	92
The external monitor is blank or the image is unstable.....	92
The cursor does not correctly follow the stylus movements.....	93
Stylus input not working.....	93
The notebook does not start after switching it on.....	93
The notebook stops working.....	94
The printer does not print.....	94
The wireless connection to a network does not work.....	94
The battery discharges too quickly.....	95
Smart Card reader is not recognized.....	95
Smart Card PIN forgotten.....	95
Smart Card lost.....	95
User and/or supervisor SmartCard lost.....	96
Acoustic warning.....	96
Error messages on the screen.....	96
<b>Technical data.....</b>	<b>98</b>
Notebook.....	98
WLAN specifications.....	99
USB Type-C™ port replicator (optional).....	101
Rechargeable battery.....	101
AC adapter for use with notebook and port replicator.....	102
<b>Manufacturer's notes.....</b>	<b>103</b>

Disposal and recycling.....	103
Recycling your battery .....	103
DOC (Industry CANADA) Notices .....	103
UL Notice .....	104
ENERGY STAR Compliance.....	105
<b>Declarations of conformity .....</b>	<b>106</b>
<b>FCC Regulatory Information.....</b>	<b>107</b>
Regulatory Notes and Statements .....	107
Wireless LAN, Health and Authorization for use.....	107
Regulatory Information/Disclaimers .....	108
Federal Communications Commission statement.....	108
FCC Interference Statement .....	108
FCC Radio Frequency Exposure statement .....	109
Export restrictions.....	109
Restrictions concernant l'exportation .....	109
<b>Canada, Industry Canada (IC).....</b>	<b>110</b>
Canadian Notice .....	110
Avis pour le Canada.....	111
<b>Appendix .....</b>	<b>112</b>
Before Using the Optional Wireless LAN .....	112
Wireless LAN Devices Covered by this Document.....	112
Characteristics of the WLAN Device.....	112
Wireless LAN Modes Using this Device .....	112
Deactivating/Disconnecting the WLAN Device.....	115
Configuring the Wireless LAN.....	115
Configuring the WLAN Using Windows.....	115
Connection to the network.....	115
Troubleshooting the WLAN .....	116
Using the Bluetooth Device.....	118
Image Backup and Recovery Procedures .....	119
Windows 10 Procedures.....	119
Creating a recovery drive .....	119
Recovery options in Windows 10 .....	119
Downloading driver updates.....	122
<b>Index.....</b>	<b>123</b>



# Declarations of conformity



## DECLARATION OF CONFORMITY

according to FCC Part 15

Responsible Party Name: Fujitsu America, Inc.  
Address: 1250 E. Arques Avenue  
Sunnyvale, CA 94085  
Telephone: (408) 746-6000  
Declares that product: Base Model Configuration: LIFEBOOK P727 Notebook  
Complies with Part 15 of the FCC Rules.

This device complies with Part 15 of the FCC rules. Operations are subject to the following two conditions: (1) This device may not cause harmful interference. (2) This device must accept any interference received, including interference that may cause undesired operation.

# Fujitsu Contact Information

## Service and Support

You can contact Fujitsu Service and Support in the following ways:

- Toll free phone: 1-800-8Fujitsu (1-800-838-5487)
- Website: ["http://solutions.us.fujitsu.com/www/content/support/contact/index.php"](http://solutions.us.fujitsu.com/www/content/support/contact/index.php)



Before you place the call, have the following information ready so that the customer support representative can provide you with the fastest possible solution:

- Product name
- Product configuration number
- Product serial number
- Purchase date
- Conditions under which the problem occurred
- Any error messages that have occurred
- Type of device connected, if any

## Fujitsu Shopping Online

Please go to ["http://www.shopfujitsu.com/store/"](http://www.shopfujitsu.com/store/).




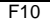
## Maintaining Latest Configuration

To ensure that you always have the most current driver updates related to your system, you should occasionally access the Fujitsu Software Download Manager (FSDM) utility. The FSDM utility is available from the Fujitsu Support site. FSDM will allow you to view a list of the most current drivers, utilities and applications to determine whether you have the latest versions. If you have a Windows 10 operating system, you will need to go to the Support Site to download the FSDM Utility: ["http://support.fujitsupc.com/CS/Portal/support.do?srch=DOWNLOADS"](http://support.fujitsupc.com/CS/Portal/support.do?srch=DOWNLOADS).

## Limited Warranty

Your LIFEBOOK notebook is backed by a Fujitsu International Limited Warranty. Check the Limited Warranty Terms and Conditions Booklet that came with your notebook.

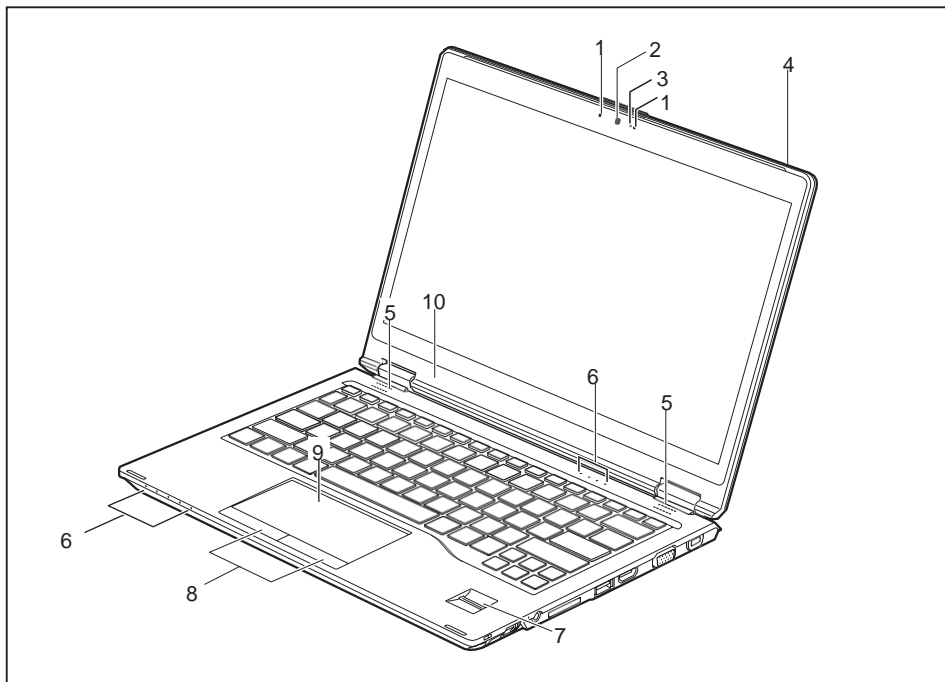
## Notational conventions

	Pay particular attention to text marked with this symbol. Failure to observe this warning will endanger your life, will damage the device or lead to loss of data. The warranty will be invalidated if the device becomes defective through failure to observe these warnings.
	Indicates important information which is required to use the device properly.
	indicates an activity that must be performed
4	indicates a result
<b>This style</b>	indicates data entered using the keyboard in a program dialogue or at the command line, e.g. your password ( <b>Name123</b> ) or a command used to start a program ( <b>start.exe</b> )
This style	indicates information that is displayed on the screen by a program, e.g.: Installation is complete.
<i>This style</i>	indicates <ul style="list-style-type: none"> <li>terms and texts used in a software interface, e.g.: Click on <i>Save</i>.</li> <li>names of programs or files, e.g. <i>Windows</i> or <i>setup.exe</i>.</li> </ul>
"This style"	indicates <ul style="list-style-type: none"> <li>Cross-references to another section, e.g. "Safety information"</li> <li>cross-references to an external source, e.g. a web address: For more information, go to <a href="http://solutions.us.fujitsu.com/">"http://solutions.us.fujitsu.com/"</a></li> <li>names of CDs, DVDs and titles or designations of other materials, e.g.: "CD/DVD Drivers &amp; Utilities" or "Safety/Regulations" manual</li> </ul>
Key	indicates a key on the keyboard, e.g. 
<b>This style</b>	indicates terms and text that are emphasized or highlighted, e.g.: <b>Do not switch off the device</b>

# Ports and controls

This chapter presents the individual hardware components of your device. It gives an overview of the indicators and connections of the device. Please familiarize yourself with these items before you start to work with the device.

## Notebook open



1 = Microphone

2 = Webcam

3 = Webcam LED

4 = 4G/LTE antenna

5 = Speaker

6 = Status indicators

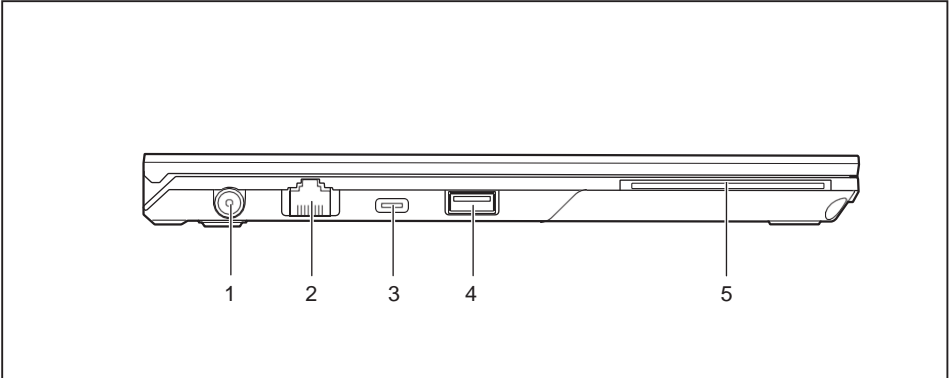
7 = Fingerprint sensor (configuration dependent)

8 = Touchpad buttons

10 = Ambient light sensor

11 = Tablet buttons

**Left side**



1 = Slot for stylus

## = Fastening eyelet for optional stylus tether  
[Optional stylus tether](#)

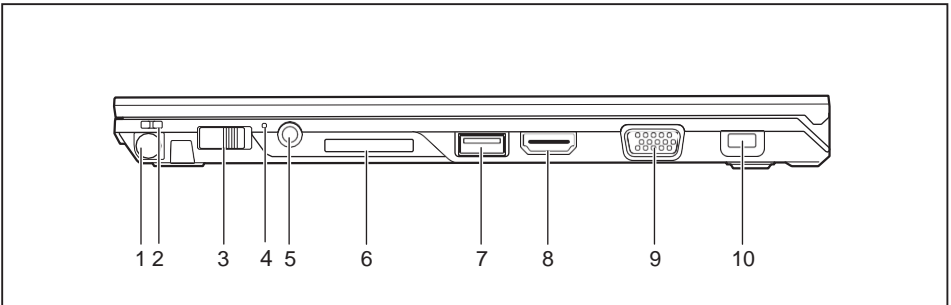
2 = LAN port

3 = USB 3.0 port with charging function  
 (USB Type-C™)

4 = USB 3.0 port with charging function  
 (Anytime USB charge)

5 = SmartCard reader

**Right side**



1 = Slot for stylus

2 = Fastening eyelet for optional stylus

3 = ON/OFF button

4 = Power-on indicator

5 = Combined headphones/microphone port

6 = Memory card slot

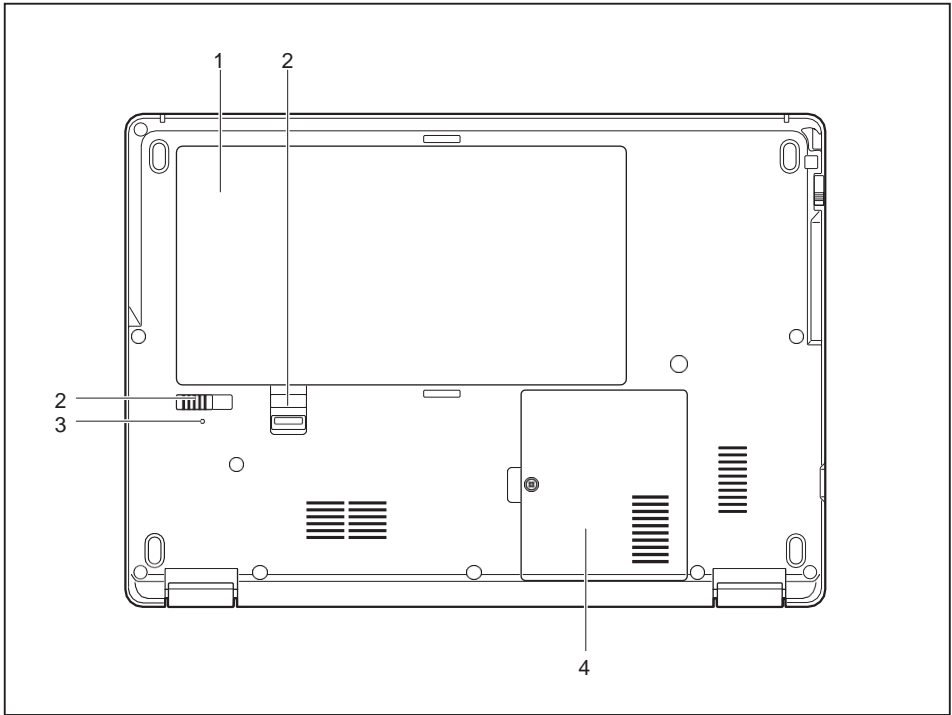
7 = USB port 3.0

8 = HDMI port

9 = External monitor port (VGA)

10 = Security Lock device

**Bottom**



- 1 = Battery compartment with SIM card slot under the battery
- 2 = Battery lock slider switch
- 3 = Battery replacement status indicator

- 4 = Memory upgrade compartment and M.2 module

# Important notes



This chapter contains essential safety information which must be followed when working with your notebook. Other notes also provide useful information which will help you with your notebook.

## Safety instructions



Please observe the following safety information.

Please pay special attention to the sections in the manual marked with the symbol on the left.

When connecting and disconnecting cables, observe the relevant notes in this operating manual.

Read the information on the ambient conditions in the ["Technical data", Page 98](#) chapter and the ["First-time setup of your device", Page 18](#) chapter before preparing your notebook for use and switching it on for the first time.

When cleaning the device, please observe the relevant notes in the section ["Cleaning the notebook", Page 17](#).

Pay attention to the additional safety notes for devices with radio components provided in the "Safety/Regulations" manual.

Please refer to the notes in the chapter ["Removing and installing components during servicing", Page 77](#).

When handling this device, you will come into contact with lead, a chemical which in California is held to be a possible cause of birth defects and other damage to fertility.

Wash your hands after using the device.

This notebook complies with the relevant safety regulations for data processing equipment. If you have any questions about setting up your notebook in the intended environment, please contact your sales outlet or our Hotline/Service Desk.

## Additional safety notes for devices with radio components

If a radio component (Wireless LAN, Bluetooth, UMTS, 4G) is incorporated in your notebook, you must be sure to observe the following safety notes when using your notebook:

- Switch off the radio components when you are in an aircraft or driving in a car.
- Switch off the radio components when you are in a hospital, an operating room or near a medical electronics system. The transmitted radio waves can impair the operation of medical devices.
- Switch off the radio components, when you let the device get near flammable gases or into hazardous environments (e.g. gas station, paintshops), as the transmitted radio waves can cause an explosion or a fire.



For further information on how to switch the radio components on and off, refer to chapter ["Switching the wireless components on and off", Page 55.](#)

## Energy saving

Switch the notebook off when it is not in use. Switch off any connected external devices when they are not in use. If you use the energy saving functions, the notebook uses less power. You will then be able to work for longer before having to recharge the battery.



The energy efficiency is increased and environmental pollution is reduced. You save money and help protect the environment.

## Energy saving under Windows

- ▶ Make use of the available energy saving functions as described in chapter ["Using the energy saving functions", Page 50.](#)



## Traveling with your notebook

Please observe the points listed below when traveling with your notebook.

### Before you travel

- ▶ Back up important data stored on your hard disk.
- ▶ Switch off the radio component for data security reasons. With data traffic via a wireless connection, it is also possible for unauthorized third parties to receive data.








Information on activating data encryption is provided in the documentation for your radio component.

- ▶ If you wish to use your notebook during a flight, check with the flight attendants if its use is safe.

### When traveling in other countries

- ▶ If you are traveling abroad, check that the AC adapter can be operated with the local AC voltage. If this is not the case, obtain the appropriate AC adapter for your notebook. Do not use any other converter!
- ▶ Check whether the local AC voltage and the AC cable are compatible. If this is not the case, buy an AC cable that suits the local conditions.
- ▶ Enquire with the corresponding government office of the country you will be traveling to, whether you may use your notebook with its integrated radio component there.
- ▶ Take the necessary travel adapters with you when traveling abroad. Check the following table to see which travel adapters you will need, or ask your travel organizer.

Power connection	Travel destination
 	United States, Canada, Mexico, parts of Latin America, Japan, Korea, Philippines, Taiwan
	Russia and the Commonwealth of Independent States (CIS), much of Europe, parts of Latin America, the Middle East, parts of Africa, Hong Kong, India, much of south-east Asia
	United Kingdom, Ireland, Malaya, Singapore, parts of Africa
	China, Australia, New Zealand

## Transporting the notebook



Protect the notebook against severe shocks and extreme temperatures (e.g. direct sunlight in a car).

- Do not transport the notebook while it is switched on.
- Carry your notebook with you while traveling. Do not check it in as baggage.
- Never put your notebook through a metal detector. Have it hand-inspected by security personnel. You can, however, put your notebook through a correctly set X-ray machine. To avoid problems, place the notebook as close as possible to the entrance of the machine and remove it as soon as possible or have it hand-inspected by security personnel. Security officials may require you to switch your notebook on. So make sure you have a charged battery on hand for this.

- ▶ Switch the notebook off.
- ▶ Unplug the AC plug of the AC adapter and all external devices from the power outlets.
- ▶ Disconnect the AC adapter cable and the data cables for all external devices.
- ▶ To protect against damaging jolts and bumps, use a notebook carrying case to transport your notebook.

## Storing the notebook

- If storing your notebook for a month or longer, turn it off, fully charge the battery, then remove and store all the Lithium Polymer batteries in a suitable location.
- Store your notebook in a cool dry location. Temperatures should remain between 13 °F / -25 °C and 140 °F / 60 °C.
- Store your notebook and batteries separately. If you store your notebook with a battery installed, the battery will discharge, and battery life will be reduced. In addition, a faulty battery might damage your notebook.



- Always power off the notebook before transporting and/or packaging it. After shutting down the notebook, wait until the status LED panel indicates the power-off condition (i.e., no lights are illuminated).
- It is possible that the notebook may not automatically go to power-off or sleep mode when you close the lid. This situation may occur due to pre-operating system boot password security settings or some other application running on the notebook.
- Attempting to transport the notebook while power is on may damage the notebook due to shock or overheating.

## Cleaning the notebook



- Use of incorrect cleaners can result in optical impairment of the LCD and / or damage to the notebook. Always refer to the cleaner manufacturer's guidelines and material safety data sheets for proper handling and use of the products.
- Never use ammonia, acidic, or alkaline cleaners or organic chemicals such as paint thinner, acetone or kerosene. It may damage surface finishes and the coating of the LCD screen.
- Never use compressed air for cleaning the notebook.
- If your notebook has a Smart Card slot, be very careful to avoid any liquid entering the slot as this can damage the notebook.

## Further information on cleaning the notebook

The notebook does not float.



If the notebook is exposed to water or other liquids with its connections open, liquid can penetrate the notebook and cause a malfunction. Do not continue to use the notebook. Switch it off and contact our hotline / our service desk (see enclosed list of service desks or visit our website at: ["http://www.fujitsu.com/us/support/"](http://www.fujitsu.com/us/support/)).

# First-time setup of your device



Please read the chapter "[Important notes](#)", [Page 13](#).

If your device is equipped with a Windows operating system, the necessary hardware drivers and supplied software are already pre-installed.

Before switching it on for the first time, connect the device to the AC voltage using the AC adapter, see "[Connecting the AC adapter](#)", [Page 19](#). The AC adapter must remain connected during the whole of the installation process.

A system test is performed when your device is first switched on. Various messages can appear. The display may remain dark for a short time or may flicker.

Please follow the instructions on the screen.

NEVER switch off your device during the first-time setup process.

When the device is delivered, the battery is located in the battery compartment. The battery must be charged if you want to operate your device using the battery.

When used on the move, the built-in battery provides the device with the necessary power. You can increase the operating time by using the available energy saving functions.

For instructions on how to connect external devices (e.g. mouse, printer) to your device, please refer to the operating manual for your device.

## Unpacking and checking the device



If you find that damage has occurred during transport, please notify your local sales outlet immediately!

- ▶ Unpack all the individual parts.
- ▶ Check your device for any visible damage which may have occurred during transportation.



You may need to reuse the packaging in the future, for example if you need to ship your device.

## Choose a location



Choose a suitable location for the device before setting it up. In doing so, please follow these instructions:

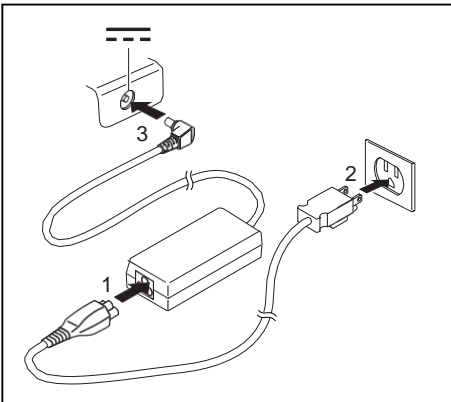
- Never place the device or the AC adapter on a heat-sensitive surface. The surface could be damaged as a result.
- Never place the device on a soft surface (e.g. carpeting, upholstered furniture, bed). This can block the air vents and cause overheating and damage.
- The underside of the device heats up during normal operation. Prolonged contact with the skin can become unpleasant or even result in burns.
- Place the device on a stable, flat, non-slippery surface. Please note that the rubber feet of the device may mark certain types of delicate surfaces.
- Keep other objects at least 100 mm / 3.97 inches away from the device and its AC adapter to ensure adequate ventilation.
- Never cover the ventilation openings of the device.
- Do not expose the device to extreme environmental conditions. Protect the device against dust, humidity and heat.

## Connecting the AC adapter



Observe the safety notes in the enclosed "Safety/Regulations" manual.

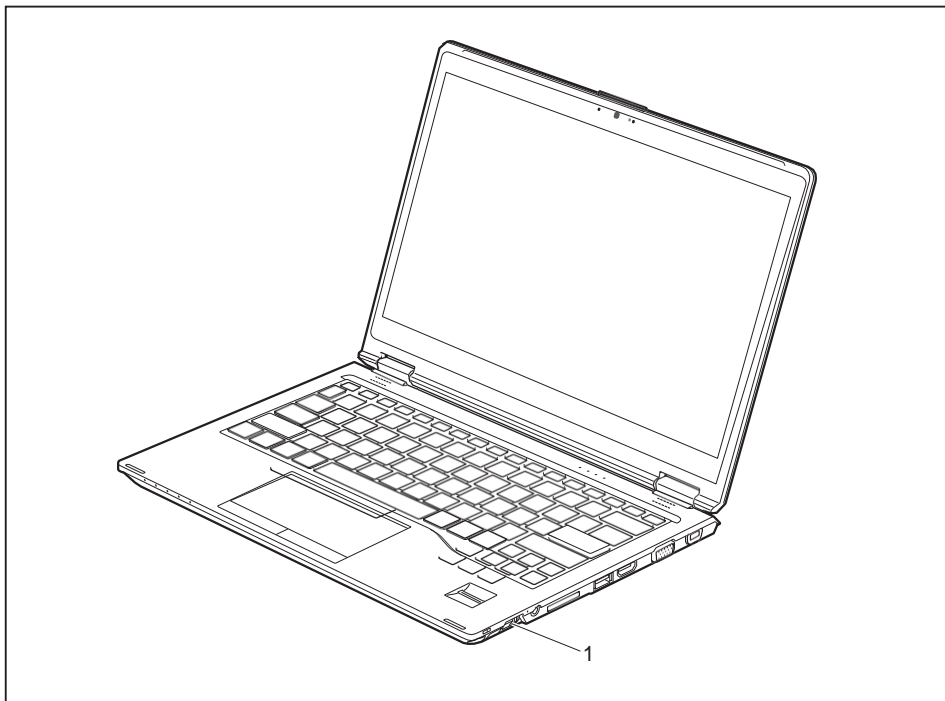
The supplied AC cable conforms to the requirements of the country in which you purchased your device. Make sure that the AC cable is approved for use in the country in which you intend to use it.



- ▶ Connect the AC cable (1) to the AC adapter.
- ▶ Plug the AC cable (2) into a power outlet.
- ▶ Connect the AC adapter cable (3) to the DC jack (DC IN) of the device.

## Switching on the device for the first time

To make it easier to use your device for the first time, the operating system is pre-installed on the hard disk.



- ▶ Slide the ON/OFF switch (1) to the right to switch on the notebook.
- 4 The ON/OFF button returns automatically to its original position.
- ▶ During the installation process, follow the on-screen instructions.



You can find information and help on the Windows operating system functions on the Internet at ["http://windows.microsoft.com"](http://windows.microsoft.com).

## Installing Bonus Apps

The *Bonus Apps* can be found in the *Start* menu

▶ In the *Start* menu, click on *Bonus Apps* to view the additional apps that are available to you.

4 Applications that are already installed appear in grey, those that are available for installation appear in blue.

▶ Select the applications you wish to install by selecting the checkbox adjacent to your selection.

or

▶ Click *Select All* if you would like to install all available applications.

▶ To confirm your selection, click *Install*.

A square box containing a lowercase letter 'i' with a dot above it, representing an information icon.

Note that in some cases (depending upon which application was selected for installation) after installation completes, the system will prompt you to reboot.

There are also cases in which if multiple applications are selected to install but one of them needs a reboot, the system will reboot and continue installing the rest of the selected applications.

# Working with the notebook

This chapter describes the basics for operating your notebook. Please refer to ["Connecting external devices", Page 71](#) for instructions on how to connect external devices such as a mouse and a printer to the notebook.

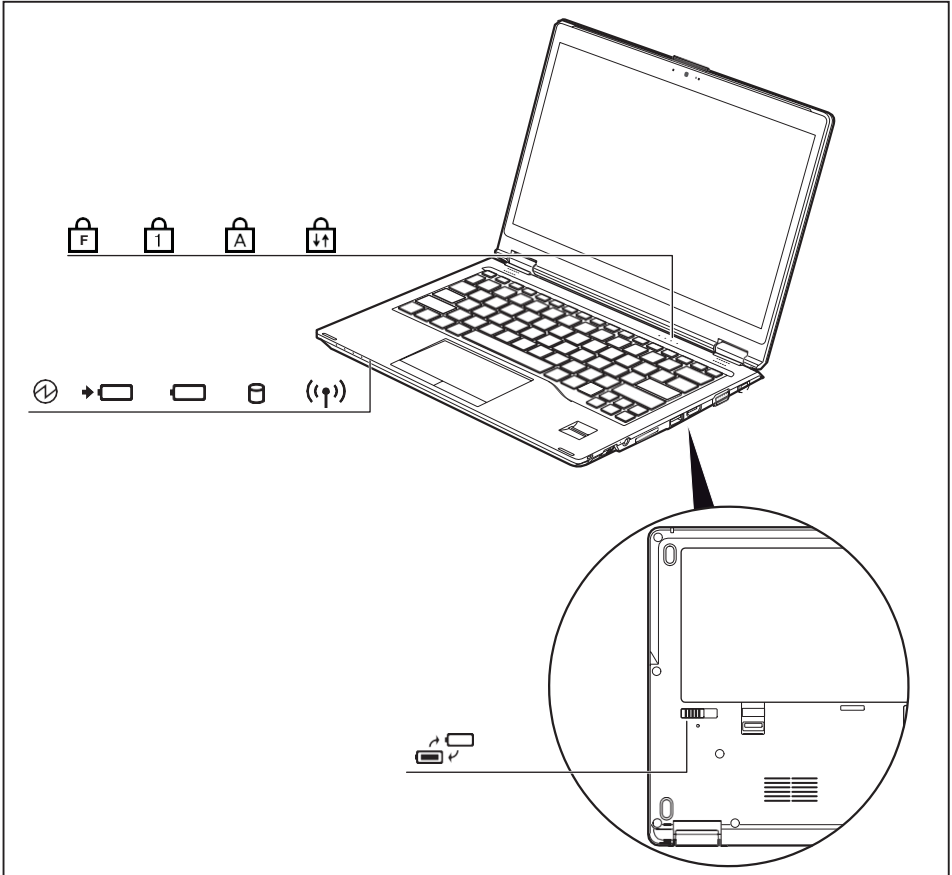








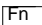


Please refer to the notes in the chapter ["Important notes", Page 13](#).





## Status indicators

The status indicators provide information about the status of the power supply, the hard disks and the keyboard functions.

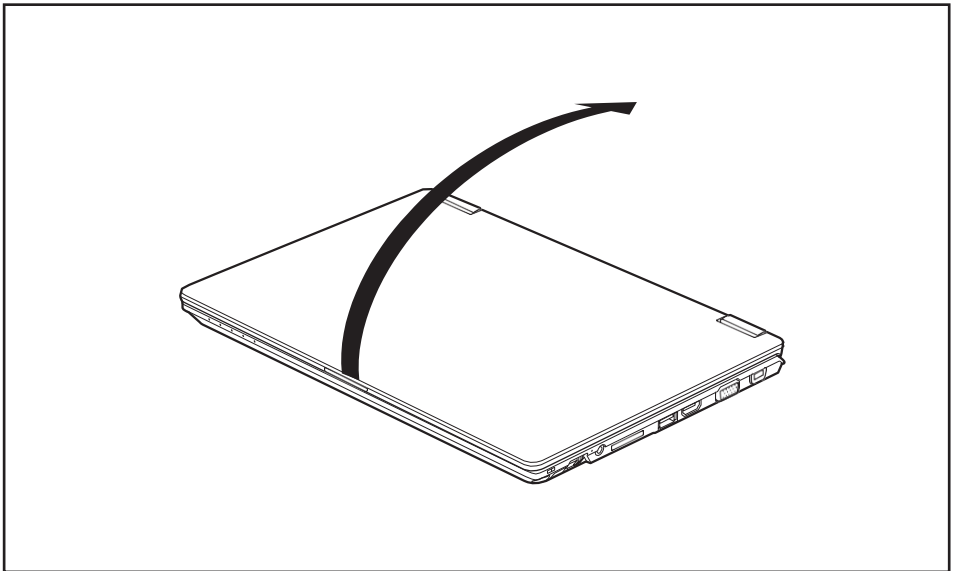




Display	Description
	<p><b>Power-on indicator/Standby</b></p> <ul style="list-style-type: none"> <li>The indicator is illuminated: The notebook is switched on.</li> <li>The indicator flashes: The notebook is in sleep mode (Save-to-RAM).</li> <li>The indicator is not lit up: The notebook is switched off or the notebook is in Save-to-Disk mode.</li> </ul>
	<p><b>Battery charging indicator/AC connection</b></p> <p>The charging state of the battery is shown by the rechargeable battery indicator.</p> <p>With AC adapter connected:</p> <ul style="list-style-type: none"> <li>The indicator lights up white: The rechargeable battery is charged or no rechargeable battery is inserted.</li> <li>The indicator light is orange: The AC adapter is connected and the battery is being charged.</li> <li>The indicator is flashing orange: The AC adapter is connected but the battery cannot be charged as the battery is too hot or too cold for charging. The charging process is continued as soon as the rechargeable battery has reached a permissible temperature again.</li> <li>The indicator is flashing red: A fault has occurred.</li> <li>The indicator is not lit up: The battery is not being charged (the battery is already more than 90% charged or the AC adapter is not connected).</li> </ul>
	<p><b>Battery indicator</b></p> <ul style="list-style-type: none"> <li>The indicator lights up white: The rechargeable battery is charged to between 51% and 100 % of its maximum capacity.</li> <li>The indicator light is orange: The rechargeable battery is charged to between 13 % and 50 % of its maximum capacity.</li> <li>The indicator lights up red: The rechargeable battery is charged to between 0 % and 12 % of its maximum capacity.</li> <li>The indicator is flashing orange: The battery charging level is being checked (for four seconds after battery installation).</li> <li>The indicator is flashing red: A fault has occurred.</li> <li>The indicator is not lit up: There is no battery installed.</li> </ul>
	<p><b>Drive indicator</b></p> <p>The indicator is illuminated: The hard disk drive is being accessed.</p>
	<p><b>Wireless indicator</b></p> <ul style="list-style-type: none"> <li>The indicator is illuminated: The wireless components are switched on.</li> <li>Indicator is off: The wireless components are switched off.</li> </ul>
	<p><b>F Lock indicator</b></p> <p>The indicator is illuminated: The key combination  +  has been pressed. The special functions of the Fn keys (see chapter "<a href="#">Key combinations</a>", <a href="#">Page 43</a>) can be executed by pressing the keys directly without also having to press the  key.</p>

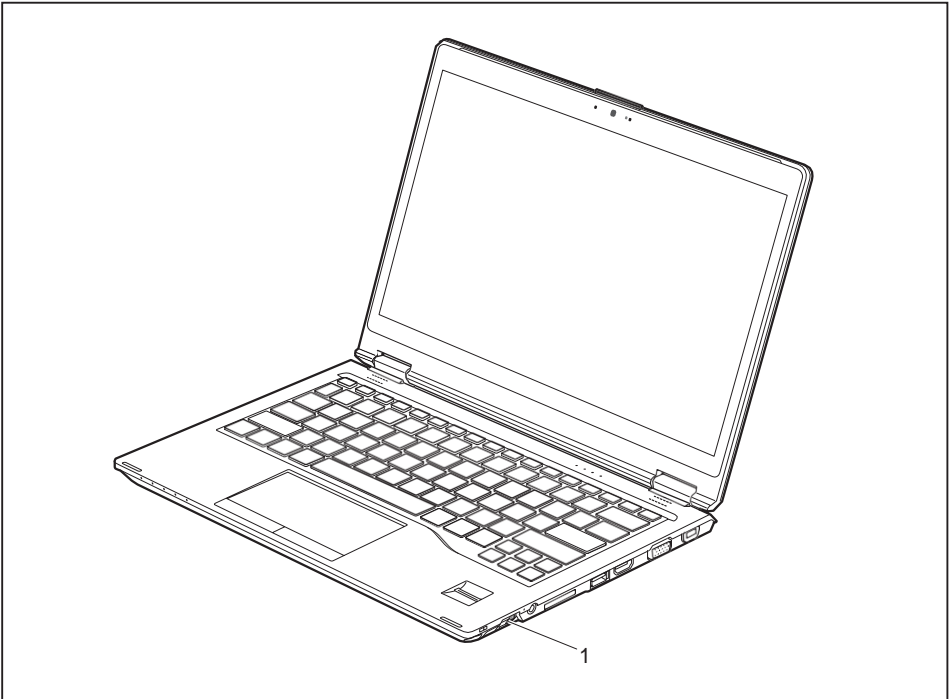
Display	Description
	<p><b>Num Lock indicator</b></p> <p>The indicator is illuminated: The <b>Num</b> key has been pressed. The virtual number keys have been switched on. You can output the characters indicated on the upper right of the keys.</p>
	<p><b>Caps Lock indicator</b></p> <p>The indicator is illuminated: The Caps Lock key has been pressed. All the characters you type will appear in upper case. In the case of overlay keys, the character printed on the upper left of the key will appear when that key is pressed.</p>
	<p><b>Scroll Lock indicator</b></p> <p>The indicator is illuminated: The key combination <b>Fn + Rpt</b> has been pressed. The effect that this key has varies between applications.</p>
	<p><b>Battery replacement indicator</b></p> <p>If the battery is unlocked for battery replacement, the battery replacement indicator will show whether the device is ready for battery replacement (see "<a href="#">Removing a battery</a>", Page 47). You can replace the device's battery without having to switch the device off first. The device has a built-in buffer battery for this purpose. If the battery is unlocked while the device is in operating mode, Sleep Mode will automatically be activated.</p> <ul style="list-style-type: none"> <li>• The indicator light is green: The device is ready for battery replacement. Replace the battery.</li> <li>• The indicator is flashing orange: The device is ready for battery replacement but the battery charging level of the buffer battery is low. Replace the battery quickly. <ul style="list-style-type: none"> <li><b>Caution:</b> If the battery replacement takes too long, the device may switch itself off. Any data not saved may be lost.</li> </ul> </li> <li>• The indicator light is orange: The device is not yet ready for battery replacement as Sleep Mode has not yet been activated. Wait until the indicator lights up green. <ul style="list-style-type: none"> <li><b>Caution:</b> If the battery is replaced now, the device may switch itself off. Any data not saved may be lost.</li> </ul> </li> <li>• The indicator lights up red: The device is not ready for battery replacement. Lock the battery again. Connect the device to the AC adapter to charge the buffer battery. After a short charging time, the battery replacement can be attempted again. <ul style="list-style-type: none"> <li><b>Caution:</b> If the battery is replaced now, the device may switch itself off. Any data not saved may be lost.</li> </ul> </li> <li>• The indicator is flashing red: Error in the buffer battery. Shut down the device. Connect the device to the AC adapter. If the status indicator flashes red again, contact the Service Desk.</li> </ul>

## Opening the notebook



- ▶ Fold the LCD screen upwards.

## Switching the notebook on



- ▶ Slide the ON/OFF switch (1) to the right to switch on the notebook.
- 4 The ON/OFF button (1) returns automatically to its original position.  
The power-on indicator next to the ON/OFF button (1) is lit as long as the system is switched on.

## Programming the ON/OFF button

You can program the ON/OFF button:

Operating system	Menu
Windows 10	<i>Windows 10 Start - Control Panel - (Browse Control Panel - ) Power Options - Choose what the power buttons do</i>

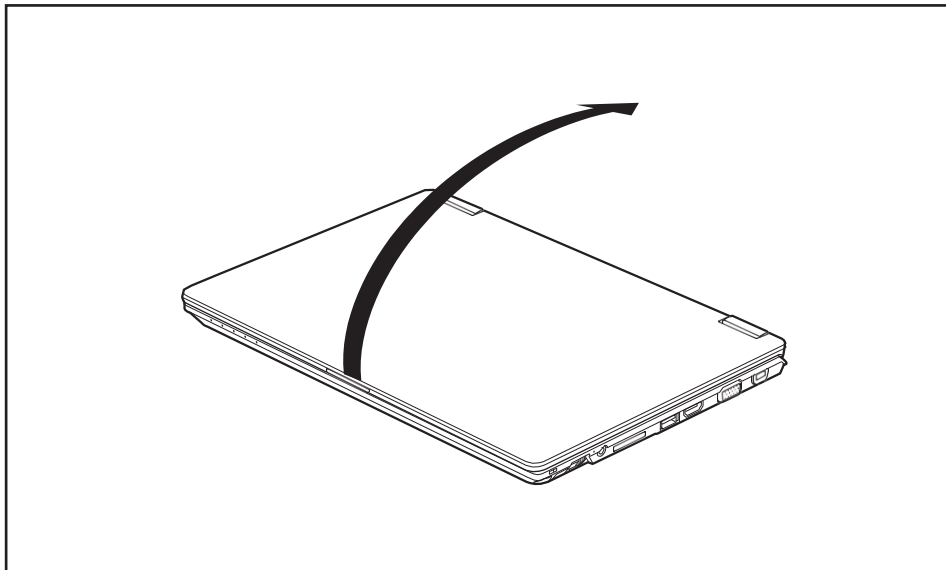


If you have assigned a password, you must enter this when requested to do so, in order to start the operating system. Detailed information can be found in the chapter "[Security functions](#)", Page 62.

## Different ways to use your notebook

During your daily work, you can use your notebook as a Tablet PC or as a notebook, just as you wish.

### From notebook to Tablet PC

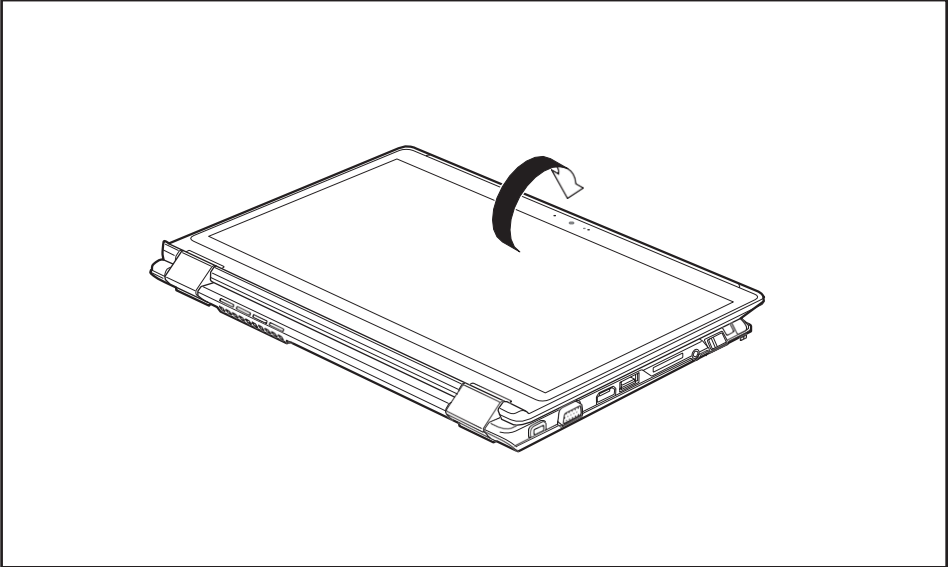


- ▶ Raise the LCD screen into a vertical position.



You can fold back the LCD screen infinitely variable in an angle between 0 and 360 degrees,

- ▶ Fold the screen down completely until the back of the screen is positioned against the bottom of the device.



The screen is now in the tablet position. The keyboard, the touchpad and the touchpad buttons are switched off in this position.

## Select display orientation (portrait or landscape format)

You can choose to use either portrait or landscape for the display, or whether the screen orientation should automatically adjust to the orientation of the tablet PC.



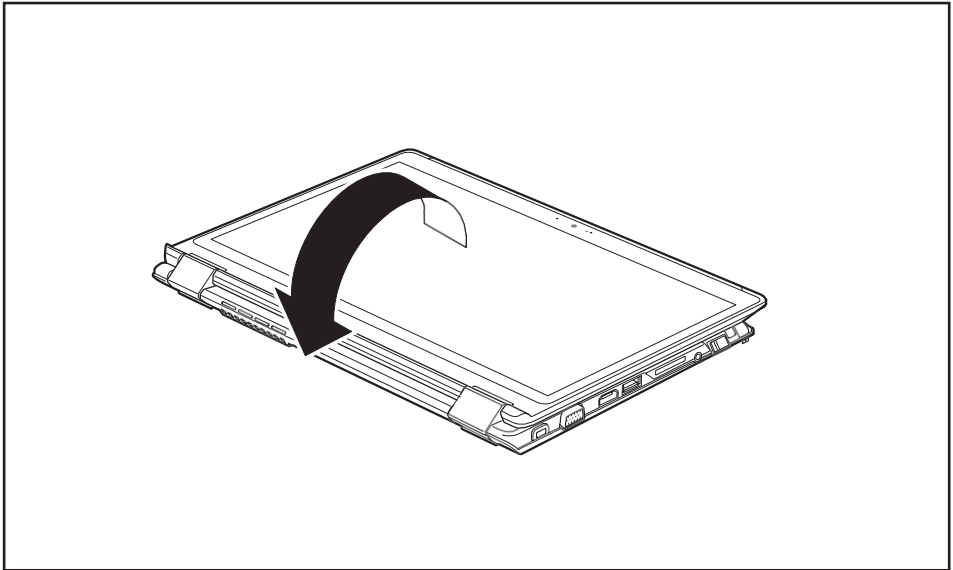
You can change these settings under *Control Panel - Hardware and Sound - Windows Mobility Center / Rotate screen*.



In the settings there are profiles saved for operation with different screen orientations. These profiles have preset standard configurations that can be modified as desired.

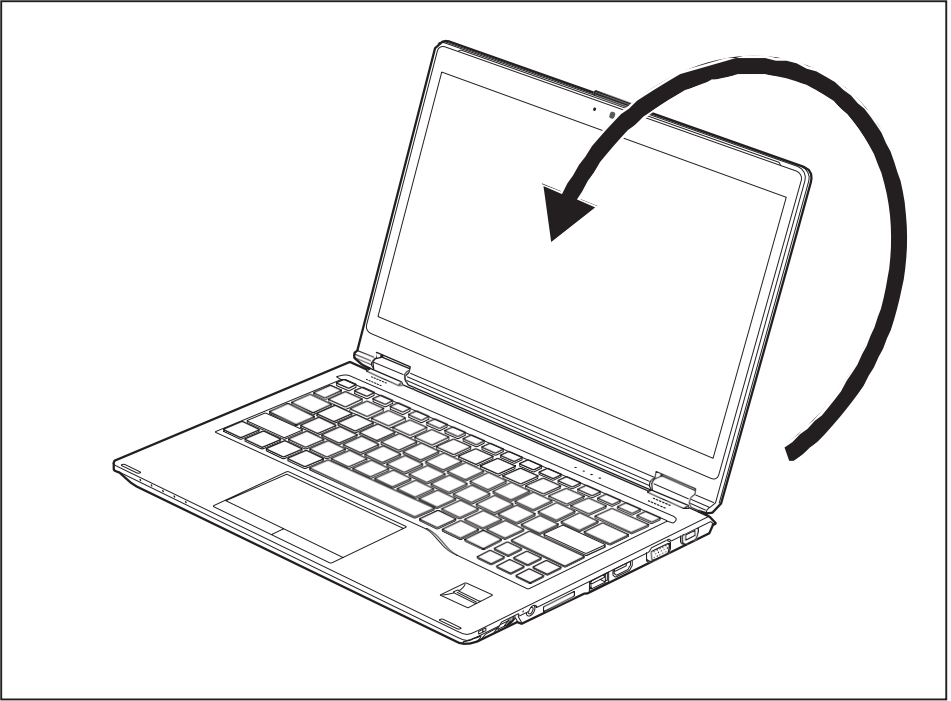
These settings do not just affect the screen settings on the Tablet PC, but also on external monitors that are connected.

## From Tablet PC to notebook



- ▶ Raise the LCD screen into a vertical position.
- ▶ Fold the monitor down until the desired position is reached.

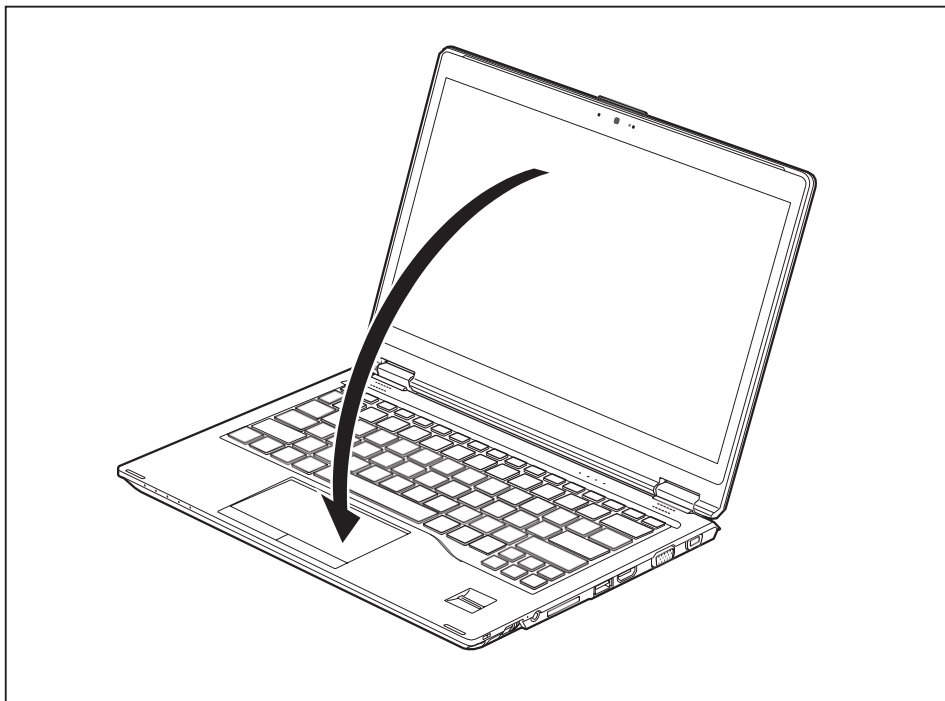




## Switching off the notebook

- ▶ Close all applications and then shut down your operating system (please refer to the "Operating system manual").

## Closing the notebook



- ▶ Fold the LCD screen onto the lower section of the notebook.

## Handwriting recognition

For detailed information on handwriting recognition, see the documentation for your operating system.

At present, handwriting recognition on Windows supports the following languages:

English, German, French, Italian, Japanese, Korean, Chinese (traditional and simplified), Dutch, Portuguese, Spanish, Brazilian, Norwegian (Bokmål and Nynorsk), Swedish, Finnish, Danish, Polish, Rumanian, Serbian (Cyrillic and Latin script), Catalan, Russian, Czech and Croatian.

On Windows you can set the required language under *Control Panel – Time, Language and Region – Language*.

## LCD screen

### Background lighting

LCD screens are operated with background lighting. The luminosity of the background lighting can decrease during the period of use of the notebook. However, you can set the brightness of your monitor individually.

### Synchronizing the display on the LCD screen and an external monitor

For more information, please refer to Chapter "[Key combinations](#)", [Page 43](#) under "Switching between display outputs".

## Ambient light sensor

If your notebook was shipped with a *Windows* operating system, the screen brightness is regulated by the ambient light sensor and is dependent on the particular light conditions. This results in optimum readability and longer battery life at the same time.

## Using the device as a Tablet PC

You can execute commands as follows:

- using the stylus (supplied with your device).
- using your finger

## Using your fingers

You can execute certain commands by using your finger tip on the touchscreen of your device.



Alternatively, everything which you can select or activate using your finger tip can also be selected or activated using the stylus.

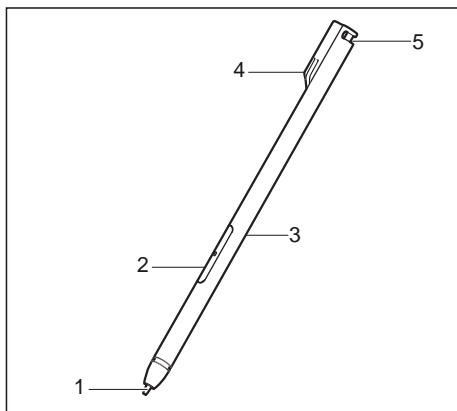
## Calibrating the Dual Digitizer for finger-based operation of the device



Please see chapter "[Calibrating the stylus](#)", [Page 36](#) for instructions on how to calibrate your device to use Dual Digitizer Technology.

Please note: There are separate calibration programs available for calibrating the stylus and for calibrating finger-based operation. Do not use the calibration tool for the stylus to calibrate finger-based operation.

## Using the stylus



- 1 = stylus tip
- 2 = stylus button (= eraser)
- 3 = stylus button (= right mouse button)
- 4 = charging contacts
- 5 = eyelet for optional stylus tether

You can use the stylus on your Tablet PC as an electronic writing tool, to select menu items and to navigate through the programs. Programs that support handwriting recognition also allow you to write directly on the screen with the stylus. You can also use the stylus as a drawing tool.

A stylus tether is available as an optional extra and you can use this to tie the eyelet on the stylus to the eyelet on the Tablet PC.



Use only the stylus that was provided with your Tablet PC. Do not use any other pointed object as a substitute, that was not specially designed for your Tablet PC. Replace the stylus tip if it is worn. The warranty does not cover a scratched screen.

While writing, take care that you do not scratch the surface of the display (e.g. with a wristwatch or bracelet).



To prevent the stylus from jamming in its slot, always make sure that you insert the stylus correctly into its slot (the charging contacts on the stylus point towards the rear of the Tablet PC).

## i

The stylus of the Tablet PC is an electronic instrument that can be damaged if used improperly. Handle the stylus with care.

Our recommendations for proper handling of the stylus are as follows:

- Do not gesture with the stylus.
- Do not use the stylus as a pointer.
- Do not use the stylus on surfaces other than the screen of the Tablet PC.
- Do not try to turn the grip of the stylus. The grip is used to put the stylus into its slot or to take it out of its slot.
- Never store the stylus with its weight on the tip (e.g. with the tip pointing down in a pen container). If the stylus is stored with the tip pointing down, this may have an adverse effect on the stylus mechanism (particularly under high temperatures). In this case the stylus tip may react as though it is constantly being pressed down. To avoid damage, the stylus should be stored in the slot when not in use.

The stylus can be influenced by electromagnetic fields (cursor quivers or jumps). There may be a few areas on the screen where the cursor quivers slightly in spite of pressing the stylus down firmly.

The screen responds to entries made with the tip of the finger or the stylus when the tip of the finger or the stylus directly touches the screen.

You can use the stylus to perform almost all functions for which you would otherwise use a mouse.

Action	Mouse	Stylus
Selecting menu items	Click with the left mouse button.	Tap on the menu entry with the tip of the stylus.
Starting programs	Double-click with the left mouse button.	Tap on the program symbol twice in rapid succession using the stylus tip.
Moving an object or window	Drag with the left mouse button pressed.	Place the stylus tip directly on the object or window. Keep the stylus tip held against the screen. Drag the desired object or window.
Opening a context menu	Click with the right mouse button.	Tap on the desired element with the stylus and keep the stylus pressed against the screen.
Moving the cursor	Move the mouse	Place the tip of the stylus directly on the screen.

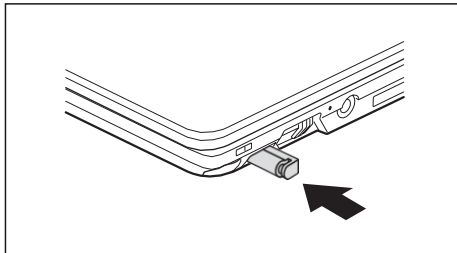
## Energy saving functions of the stylus

To save energy, the stylus automatically switches off after 10 minutes of inactivity and switches to power saving mode.

The stylus automatically returns to normal operating mode when the stylus tip is touched again.

## Charging the stylus battery

The stylus contains a built-in battery, which is automatically charged when the stylus is fully inserted in its slot. The stylus is also charged when the notebook is in power saving mode or is switched off. A charging time of approximately 15 seconds is sufficient to allow the stylus to be used for 90 minutes.



- ▶ Insert the stylus fully into the slot.
- 4 After a charging period of approximately 5 minutes, the stylus battery is fully charged.

## Adjusting the stylus

Operating system	Menu
Windows 10	Under <i>System Control - Hardware and Sound - Pen and Touch</i> you can make various settings for the stylus.

## Calibrating the stylus

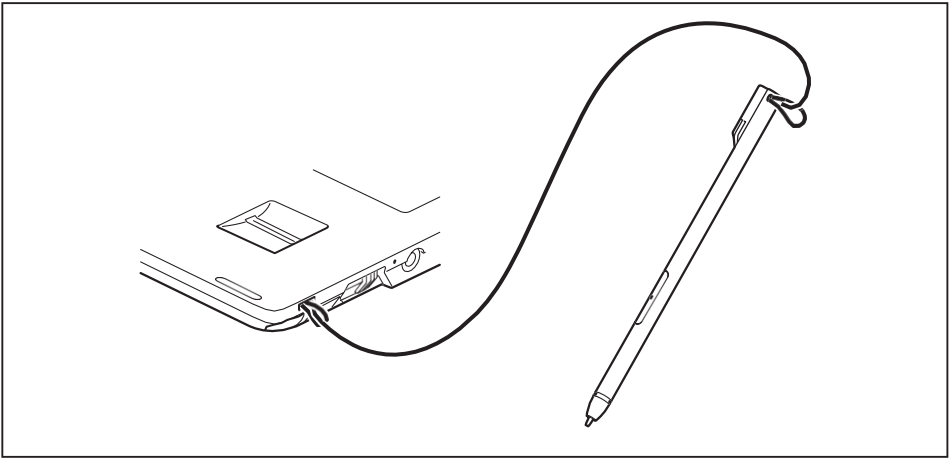
Before first use with the stylus, you must calibrate your Tablet PC via the operating system, so that it recognizes the stylus as accurately as possible.

You should also always repeat the calibration if the co-ordination between the stylus and the cursor movement deteriorates.

Operating system	Menu
Windows 10	To calibrate, run the <i>Hardware and Sound / Tablet PC Settings</i> function in the Control Panel. You need to calibrate both portrait and landscape formats.

## Securing a stylus tether

You can secure the stylus with a stylus tether to prevent accidentally dropping it or losing it.



- ▶ Secure the end of the stylus tether with the smaller loop to your stylus.
- ▶ Secure the end of the stylus tether with the larger loop to your notebook.

# Using the device as a notebook

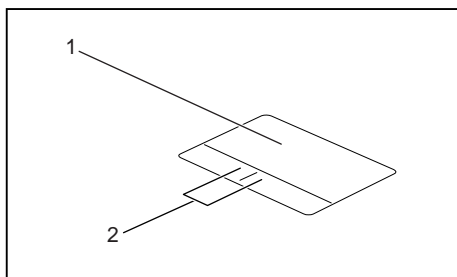
## Touchpad and touchpad buttons



Keep the touchpad clean. Protect it from dirt, liquids and grease.

Do not use the touchpad if your fingers are dirty.

Do not rest heavy objects (e.g. books) on the touchpad or the touchpad buttons.



1 = Touchpad

2 = Touchpad buttons

The touchpad enables you to move the mouse pointer on the monitor.

The touchpad buttons allow you to select and execute commands. They correspond to the buttons on a conventional mouse.



You can also deactivate the touchpad via a key combination, so that you cannot move the pointer on the monitor unintentionally (see chapter ["Key combinations", Page 43](#)).

### Moving the pointer

► Move your finger on the touchpad.

4 The pointer will move.

### Selecting an item

► Move the pointer to the item you wish to select.

► Tap the touchpad once or press the left button once.

4 The item is selected.

### Executing commands

► Move the pointer to the field you wish to select.

► Tap the touchpad twice or press the left button twice.

4 The command is executed.



## Dragging items

- ▶ Select the desired item.
  - ▶ Press and hold the left button and drag the item to the desired position with the finger on the touchpad.
- 4 The item will be moved.

## Switching the Touchpad on and off



You can switch the Touchpad on and off using a key combination, see ["Key combinations", Page 43](#).

## Keyboard



The keyboard of your notebook is subject to continuous wear through normal use. The key markings are especially prone to wear. The key markings are liable to wear away over the life of the notebook.

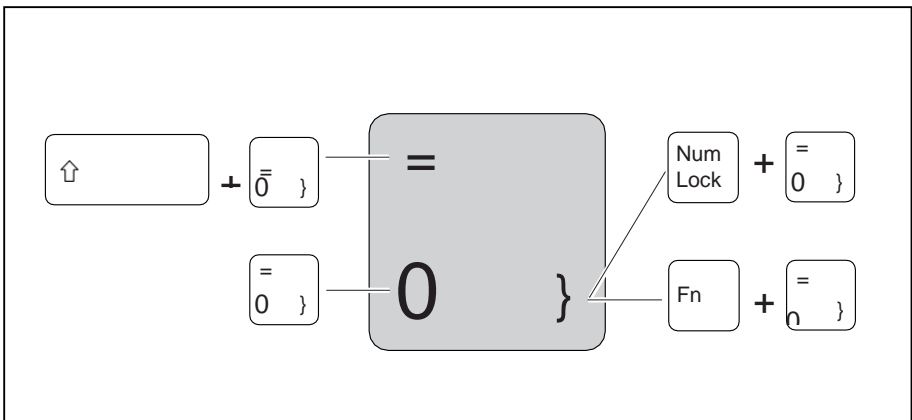
The keyboard has been designed to provide all the functions of an enhanced keyboard. Some enhanced keyboard functions are mapped with key combinations.


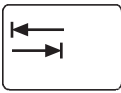




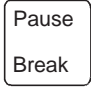
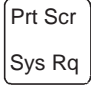

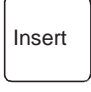
The following description of the keys applies to the Windows operating system. Additional functions supported by the keys are described in the relevant manuals supplied with your application programs.


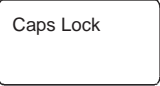


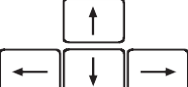


The following illustration shows how to access the different characters on keys with overlaid functions. The example applies when the Caps Lock key has not been activated.



The illustration may differ from your device.



Key	Description
	<p><b>Backspace key</b> The Backspace key deletes the character to the left of the cursor.</p>
	<p><b>Tab key</b> The Tab key moves the cursor to the next tab stop.</p>
	<p><b>Enter key (return)</b> The Enter key terminates a command line. The command you have entered is executed when you press this key.</p>
	<p><b>Alt key</b> When pressing the <u>Alt key</u>, special functions are activated when it is pressed in combination with other keys.</p>
	<p><b>Ctrl key</b> When pressing the <u>Ctrl key</u>, special functions are activated when it is pressed in combination with other keys.</p>
	<p><b>Num Lock key</b> When pressing the <u>Num Lock key</u>, the virtual numeric keypad is activated. Those characters are issued, which are located at the top right corner of the respective keys.</p>
	<p><b>Pause   Break key</b> When pressing the <u>Pause   Break key</u>, the screen display in BIOS is paused until another key is pressed (e.g. at system startup).</p>
	<p><b>Prt Scr   Sys Rq key</b> When pressing the <u>Prt Scr   Sys Rq key</u>, a screenshot of the current screen image is created and stored in the clipboard.</p>
	<p><b>Scroll Lock key</b> When pressing the <u>Scroll Lock key</u>, special functions are activated, which differ from application to application.</p>
	<p><b>Insert key</b> When pressing the <u>Scroll Insert key</u>, you change between two input modes:</p> <ol style="list-style-type: none"> <li>1. Typeover mode: when typing, you overwrite the character at the current cursor position.</li> <li>2. Insert mode: while typing, another character at the current cursor position is inserted, all characters right of the cursor will be shifted by one position.</li> </ol>

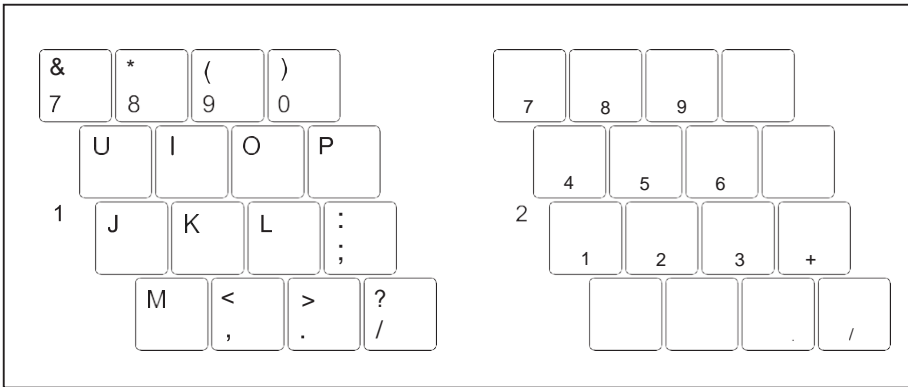
Key	Description
	<p><b>Delete key</b> When pressing the <u>Scroll Delete key</u>, the character before the / right of the cursor will be deleted.</p>
	<p><b>Caps Lock key</b> The Caps Lock key activates the Caps Lock mode, and the corresponding icon is displayed in the Windows information area. In Caps Lock mode, all of the characters you type appear in upper case. In the case of overlay keys, the character printed on the upper left of the key will appear when that key is pressed. To cancel the Caps Lock function, simply press the Caps Lock key again.</p>
	<p><b>Shift key</b> The Shift key causes uppercase characters to appear. In the case of overlay keys, the character printed on the upper left of the key will appear when that key is pressed.</p>
	<p><b>Fn key</b> The <u>Fn key</u> enables the special functions indicated on overlay keys (see <a href="#">"Key combinations", Page 43</a>).</p>
	<p><b>Cursor keys</b> The cursor keys move the cursor in the direction of the arrow, i.e. up, down, left, or right.</p>
	<p><b>Windows key</b> The Windows key switches between the start screen and the last used application.</p>
	<p><b>Menu key</b> The Menu key opens the menu for the active application.</p>

## Virtual number keys

Virtual number keys are provided so that the keys of a number keypad can be used for certain applications. The virtual number keys are recognizable on the keyboard by the numbers and symbols printed in the upper right corner of each key. If you have switched on the virtual number keys, you can output the characters shown on the upper right of the keys.



The key assignment shown below may be different from the keyboard layout of your device.



1 = Character valid when the key is not active



2 = Character valid when the key is active



Further information about the status indicators can be found in chapter ["Status indicators", Page 22.](#)

## Country and keyboard settings

- ▶ Make the country and keyboard settings as described in the documentation for your operating system.

## Key combinations

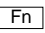

The following description of key combinations applies to Windows operating systems. Some of the following key combinations may not function in other operating systems or with certain device drivers.

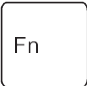

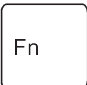

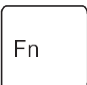

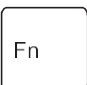

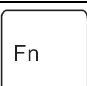

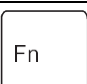

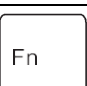

Other key combinations are described in the relevant manuals supplied with your application programs.

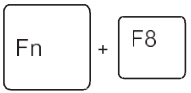
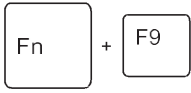
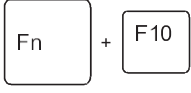
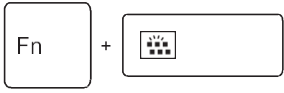
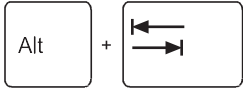


Key combinations are entered as follows:

- ▶ Press the first key in the combination and keep it pressed.
- ▶ While holding the first key down, press the other key or keys in the combination.



If the key combination  +  is pressed: The special functions of the Fn keys can be executed by pressing the keys directly, without also having to press the Fn key.

Combination	Description
 + 	<b>Switching the microphone on/off</b> This key combination switches the microphone off or on.
 + 	<b>Switching the speakers on and off</b> This key combination switches your notebook's speakers off and on.
 + 	<b>Decrease the volume</b> This key combination reduces the volume of the internal speakers.
 + 	<b>Increase volume</b> This key combination increases the volume of the internal speakers.
 + 	<b>Wireless components</b> This key combination switches the wireless components off or on.
 + 	<b>Switch the touchpad and touchpad buttons on/off</b> This key combination switches the touchpad and the touchpad buttons on or off.
 + 	<b>Decreasing the screen brightness</b> This key combination decreases the brightness of the screen.

Combination	Description
	<p><b>Increasing the screen brightness</b> This key combination increases the brightness of the screen.</p>
	<p><b>Energy saving functions</b> Use this key combination to activate the energy saving functions (see chapter <a href="#">"Using the energy saving functions"</a>, Page 50).</p>
	<p><b>Switching between screen outputs</b> Use this key combination to select which screen(s) is/are used for display if an external monitor is connected.</p> <p>The screen output is possible in the following sequence:</p> <ul style="list-style-type: none"> <li>• only on the notebook's LCD screen</li> <li>• on the LCD screen of the notebook and the external monitor at the same time</li> <li>• only on the external monitor</li> </ul> <p>This setting is useful if you would like a high resolution and a high refresh rate on an external monitor.</p>
	<p><b>Activate/deactivate keyboard backlight</b> On backlit keyboards, this key combination activates or deactivates the backlight.</p> <p>Sequence:</p> <ul style="list-style-type: none"> <li>• Background lighting off</li> <li>• Low brightness</li> <li>• High brightness</li> <li>• Background lighting off</li> </ul>
	<p><b>Switch between open applications</b> Use this key combination to switch between several open applications.</p>
	<p><b>Windows security/Task-Manager</b> This key combination opens the Windows Security/Task Manager window.</p>
	<p><b>Back tab</b> This key combination moves the cursor back to the previous tab stop.</p>



Key combinations using the Windows keys are detailed in the manual for your operating system.

## Webcam

Depending on the software used, you can use your webcam to take pictures, record video clips or take part in web chats.

- The picture quality depends on the lighting conditions and the software being used.
- You can only operate the webcam with a particular application (e.g. an Internet telephony program or a video conferencing program which supports a webcam).
- When using the webcam, the notebook base must not wobble.
- The webcam automatically adjusts itself to the current light level. For this reason the LCD display may flicker while the light level is adjusted.



Further information on use of the webcam and additional settings for your webcam can be found in the help function of the program using the webcam.

## Rechargeable battery

During mobile use, the notebook runs on its built-in battery. You can increase the service life of the battery by caring for the battery properly. The average battery service life is around 800 charge/discharge cycles.

You can extend the battery service life by taking advantage of the available energy saving functions.

### Charging, caring for and maintaining the battery

The notebook battery can only be charged if the ambient temperature is between 5°C / 41°F and a maximum of 35°C / 95°F.

You can charge the battery by connecting the notebook to the AC adapter (see ["Connecting the AC adapter", Page 19](#)).

Be aware that the battery will not charge when the battery charge level is between 90% and 100%. If the battery charge level is less than 90% and the AC adapter is connected, the battery charges up to 100%.

If the battery is running low, an alert is triggered. If you do not connect the AC adapter within five minutes after the alert tone, your notebook will automatically switch off.

#### Monitoring the battery state of charge

Windows also has a "Battery charge meter" in the taskbar for monitoring the battery capacity. When you place the mouse pointer on the battery symbol, the system displays the state of charge of the battery.

#### Battery storage

The battery should be stored in a dry environment at a temperature between 0°C / 32°F and 30°C / 86°F. The lower the storage temperature, the lower the rate of self-discharge.



If you will be storing a battery for a longer period (more than two months), the battery charge level should be approx. 30%. To prevent exhaustive discharge which would permanently damage the battery, check the level of charge of the battery at regular intervals.

To be able to make use of the optimum capacity of the battery, you should allow the battery to fully discharge and then recharge it.



If you do not intend to use a battery for long periods of time, remove it from the notebook. Never store batteries in the unit!



## Removing and installing the battery



Only use batteries approved by Fujitsu for your notebook.

Never use force when fitting or removing a battery.

Make sure that no foreign bodies get into the battery connections.

Never store a battery for long periods in the discharged state. This can make it impossible to recharge.

### Removing a battery



Please observe the safety information in chapter ["Important notes", Page 13](#).

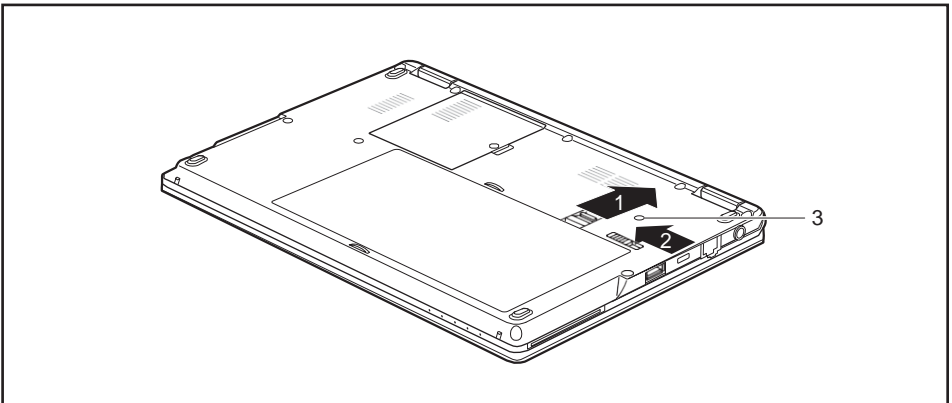
Remove the power plug from the power outlet!

- ▶ If the notebook is connected to a USB Type-C™ port replicator, release the USB cable (USB Type-C™) to disconnect the connection.



You can replace the device's battery without having to switch the device off first. The device has a built-in buffer battery for this purpose. If the battery is unlocked while the device is in operating mode, Sleep Mode will automatically be activated. Before removing the battery, please check the battery replacement status indicator (see ["Status indicators", Page 22](#)).

- ▶ Close the LCD screen.
- ▶ Remove all the cables from the device.
- ▶ Turn the device over and place it on a stable, flat and clean surface. If necessary, lay an anti-slip cloth on this surface to prevent the device from being scratched.



- ▶ Slide the Battery Lock slider switch in the direction of the arrow (1) and hold it in place.

► Slide the Battery Lock slider switch in direction of the arrow (2).

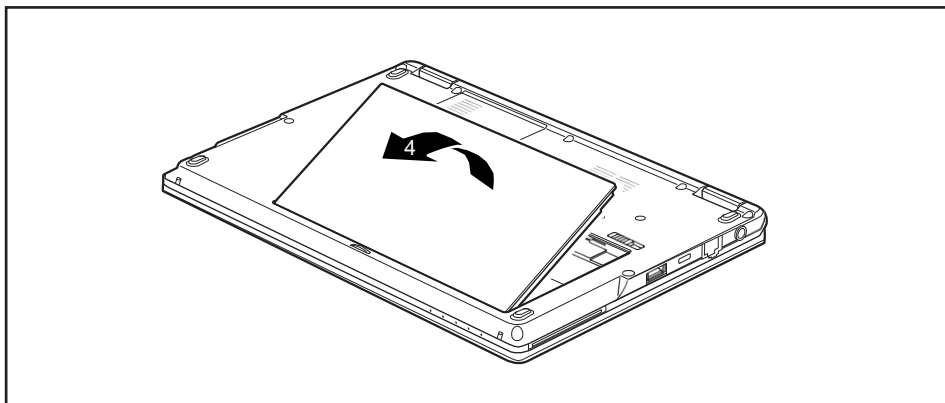
4 As soon as the battery is unlocked, the battery replacement status indicator (3) lights up and shows whether the device is ready for battery replacement (see ["Status indicators", Page 22](#)).



The status indicator only lights up if the device is switched on during battery replacement.

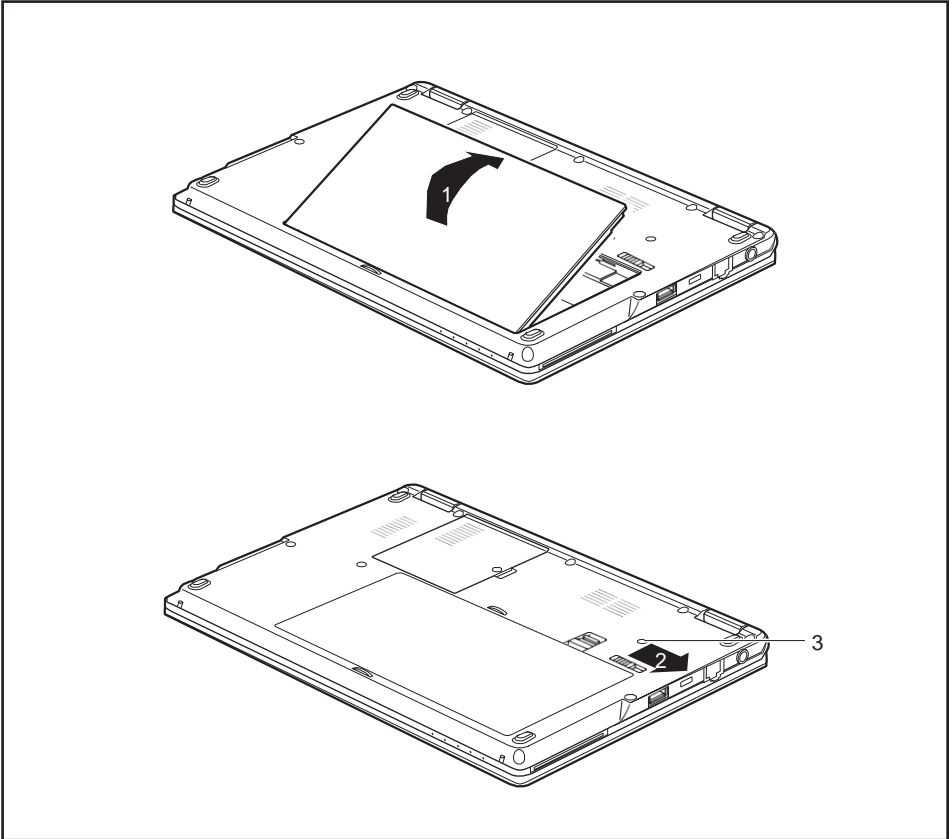


If the device is not ready for battery replacement and the battery is replaced nonetheless, the device will switch itself off. Any data not saved may be lost.



► Remove the battery from the battery compartment (4).

## Installing a battery



- ▶ Insert the battery in the battery compartment (1).
- ▶ Slide the battery lock slider switch in the direction of the arrow (2).
- 4 The battery is secured. The battery replacement status indicator (3) goes out.
- ▶ Turn the notebook the right way up again and place it on a flat surface.
- ▶ Reconnect the cables that were previously disconnected.

## Using the energy saving functions

The notebook uses less power when the available energy-saving functions are used. You will then be able to work longer when using the battery before having to recharge it.



The energy efficiency is increased and environmental pollution is reduced. By choosing the best power options, you can make significant savings and at the same time help protect the environment.

When you fold down and close the LCD screen, depending on the setting in Windows, the notebook automatically enters a power saving mode.

The recommended settings for the Windows energy saving functions are predefined as "Fujitsu Computer EcoSettings" in the Power Options of the Control Panel and can be displayed there.

- ▶ Set the energy saving functions in your Control Panel.



If you need further information about an option, you can get help with most settings by pressing **F1** to open the Microsoft Help.

### When the notebook is in energy saving mode, the following must be remembered:



During energy saving mode, open data is held in main memory or in a swap file on the hard disk.

Never switch the notebook off while it is in an energy saving mode. If the built-in battery is nearly flat, close all open files and do not go into energy saving mode.

### If you do not intend to use your notebook for a long period of time:

- ▶ Exit energy saving mode if necessary by moving the mouse, making an entry at the keyboard or by switching on the notebook.
- ▶ Close all opened programs and completely shut down the notebook.

## Memory cards

Your notebook is equipped with an integrated memory card reader.



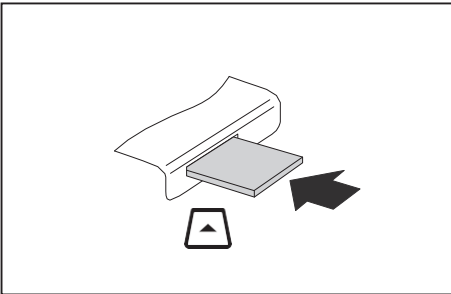
Follow the manufacturer's instructions when handling the memory cards.

### Supported formats

Your notebook supports the following formats:

- Secure Digital (SD™ Card)
- SDHC
- SDXC

### Inserting the memory card

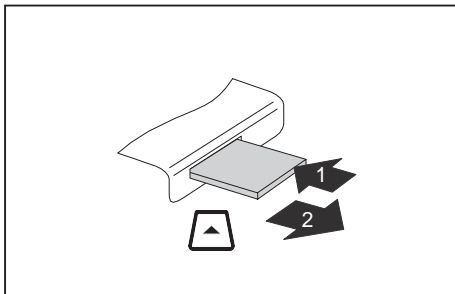


- ▶ Gently push the memory card into the slot until you feel it click into place. The label area must be facing upward. Do not apply excessive force, as otherwise the delicate contact surfaces could be damaged.
- 4 Depending on the particular type used, the memory card may protrude slightly from the slot.

## Removing the memory card



To avoid any loss of data, always follow the correct procedure for removing the card (see the documentation for your operating system).



- ▶ On devices with card locking: Press on the memory card (1).
- 4 The memory card is released and can now be removed.
- ▶ Pull the memory card out of the slot (2).

## Speaker and microphone

You can find information about the exact position of speakers and microphones in chapter ["Ports and controls", Page 10](#).

Please refer to chapter ["Key combinations", Page 43](#) for information on setting the volume and also enabling/disabling the speakers using key combinations.



If you attach an external microphone, the built-in microphone is disabled.

When you connect headphones or external speakers, the built-in speakers are disabled.

You can find information on connecting headphones and a microphone in chapter ["Connecting external devices", Page 71](#).

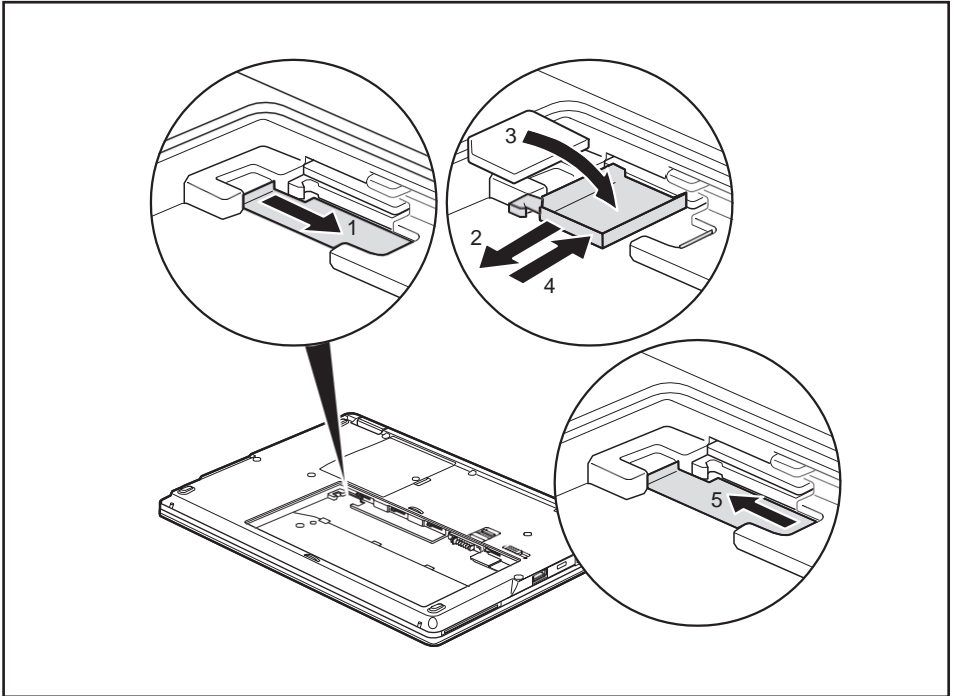
## SIM card

A SIM Card (Subscriber Identity Module) is a chip card which is inserted in a mobile telephone or notebook and, together with an integrated UMTS/LTE module, enables access to a mobile radio network.



Follow the instructions supplied by the provider of the SIM card.

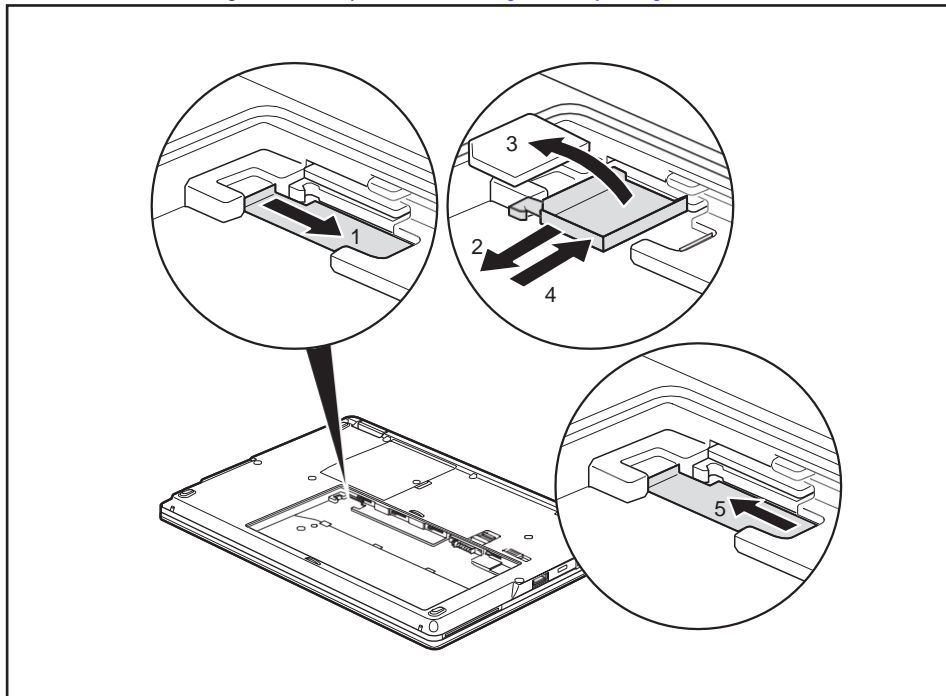
### Inserting a SIM card



- ▶ Remove the rechargeable battery, see ["Removing a battery", Page 47.](#)
- ▶ Slide the latch in the direction of the arrow (1) as far as it will go.
- ▶ Remove the SIM card carrier from its location (2).
- ▶ Insert the SIM card (3) in the SIM card carrier as shown symbolically on the SIM card carrier.
- ▶ Slide the latch in the direction of the arrow (4) as far as it will go, to lock the SIM card carrier.
- ▶ Install the rechargeable battery again, see ["Installing a battery", Page 49.](#)

## Removing a SIM card

- ▶ Remove the rechargeable battery, see ["Removing a battery", Page 47.](#)



- ▶ Slide the latch in the direction of the arrow (1) as far as it will go.
- ▶ Remove the SIM card carrier from its location (2).
- ▶ Remove the SIM card from the SIM card carrier (3).
- ▶ Push the SIM card carrier back into its location (4).
- ▶ Slide the latch in the direction of the arrow (5) as far as it will go, to lock the SIM card carrier.
- ▶ Install the rechargeable battery again, see ["Installing a battery", Page 49.](#)



## Optional wireless LAN / Bluetooth / 4G wireless components



The installation of radio components not approved by Fujitsu will invalidate the certifications issued for this device.



Depending on the system configuration ordered, your system will be equipped with wireless LAN, Bluetooth and / or 4G.

### Switching the wireless components on and off

- ▶ Press the key combination **Fn** + **F5** to switch the wireless components on and off.
- 4 The wireless component indicator will illuminate when one or more wireless components are switched on.



The Bluetooth 4G modules and the wireless LAN transmission unit (antenna) will all be switched off when you switch off the wireless components.

Pay attention to the additional safety notes for devices with wireless components provided in the "Safety/Regulations" manual.

Details on using a wireless LAN can be found in the online help system included in the wireless LAN software.

You can obtain more information on 4G from your service provider.

### Configuring WLAN access

- Requirement: A WLAN is available and you have the necessary access data to hand.



Information on configuring WLAN access can be found in the documentation for your operating system.

### Further information on WLAN and Bluetooth

For further information about WLAN or Bluetooth, please refer to the appendix of this Operating Manual.

For WLAN specifications, see chapter ["WLAN specifications", Page 99](#).

## Access via 4G

If you have ordered an integrated 4G module with your system, your device is ready for use straight away.

You can find information on establishing the connection with the 4G network in the documentation for the hardware used.

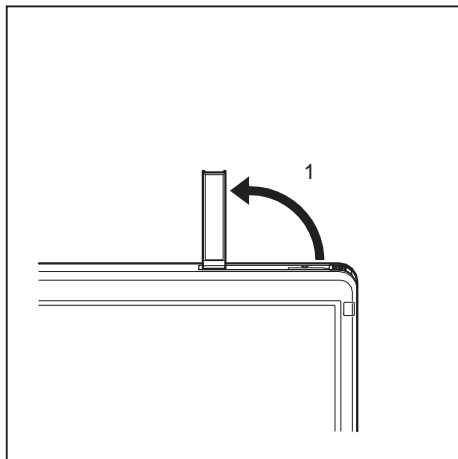
Your device can connect with the Internet via 4G. To do this, use one of the following types of connection:

- Integrated 4G module (availability dependent on model variant)
- USB dongle (a USB stick containing a SIM card from your cellular phone network provider)
- A mobile end-device (e.g. cellular phone with Bluetooth or cable connection)

## UMTS/LTE antenna



If you have a device with an installed Wireless WAN module, do not operate WWAN with the antenna folded out when holding the device horizontally with the webcam pointing downwards (in the tablet position *Rotated Landscape format* (secondary landscape)). Operating the device in that position can result in damage to the antenna.



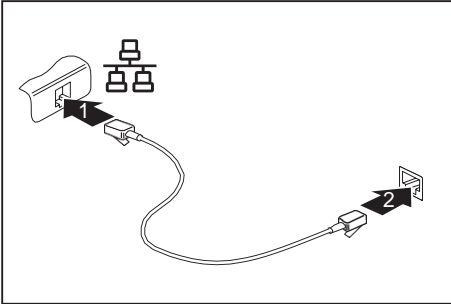
- In order to improve the UMTS/LTE signal strength, fold out the UMTS/LTE antenna in the direction of the arrow (1).



Please note: If you use your device in tablet mode, it should not be used in the *secondary landscape* position while the antenna is folded out.

## Ethernet and LAN

The internal network module of your notebook supports Ethernet LAN. You can use it to establish a connection to a local network (LAN = Local Area Network).



- ▶ Connect the network cable to the LAN port of the notebook (1).
- ▶ Connect the network cable to your network connection (2).



Your network administrator can help you to configure and use the LAN connections. The network cable is not included in the delivery scope. This type of cable can be obtained from a specialist dealer.

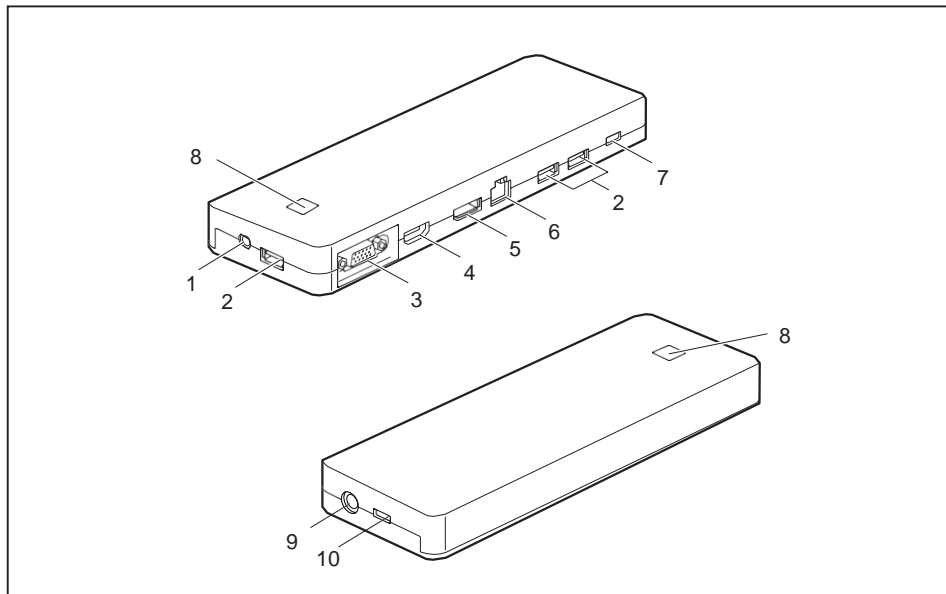
## Your USB Type-C™ port replicator (optional)

Your port replicator is a device that helps you to quickly connect your notebook to your peripheral devices, such as a monitor, printer, etc.

The features offered by the port replicator include standard ports for monitor, audio and other USB devices, such as mouse and keyboard.

You need only connect the notebook to the port replicator in order to work with your peripheral devices.

## Ports on the port replicator



- 1 = Combined headphones/microphone port
- 2 = USB 3.0 port
- 3 = VGA monitor port
- 4 = HDMI
- 5 = Display Port
- 6 = LAN port

- 7 = USB 3.0 port for data connection only (USB Type-C™ )
- 8 = ON/OFF button with power-on indicator
- 9 = DC input connector (DC IN)
- 10 = USB 3.0 port for data connection and power supply for the notebook (USB Type-C™)

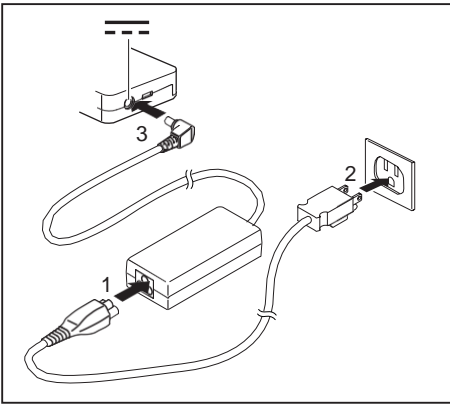
## Setting up the port replicator



Select a suitable location for the port replicator before setting it up. In doing so, please follow these instructions:

- Never place the port replicator on a soft surface (e.g. carpeting, upholstered furniture, bed). This can block the air vents of the notebook and cause overheating and damage.
- Place the port replicator on a stable, flat and anti-slip surface. Please note that the rubber feet may mark certain types of surfaces.
- Never place the port replicator and the mains adapter on a heat-sensitive surface.
- Do not expose the port replicator to extreme environmental conditions. Protect the port replicator from dust, humidity and heat.

## Connecting the AC adapter to the port replicator



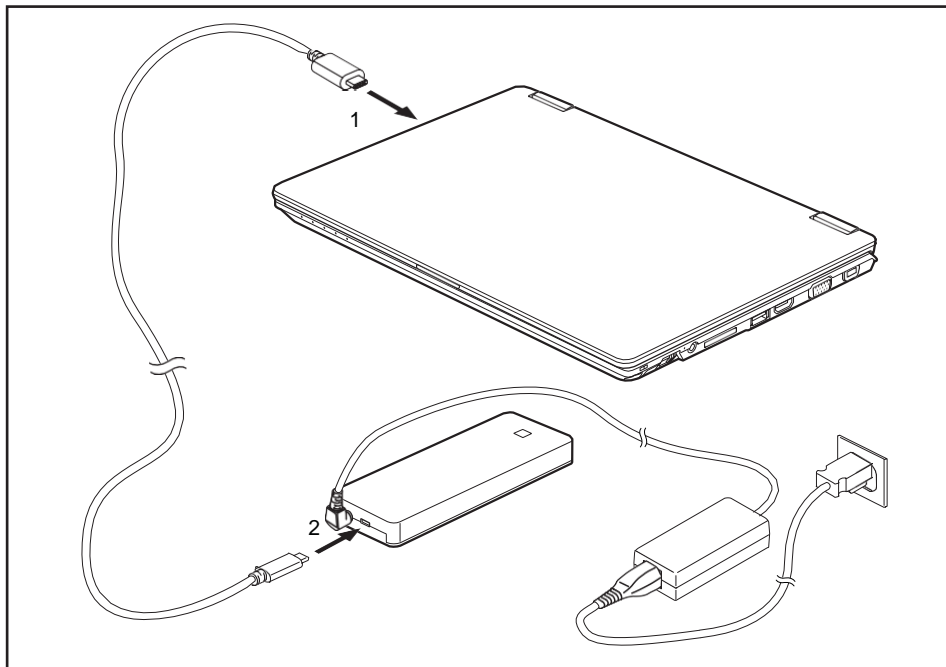
- ▶ Connect the AC cable to the AC adapter (1).
- ▶ Plug the AC cable into the power outlet (2).
- ▶ Connect the AC adapter cable to the DC jack (DC IN) of the port replicator (3).



When the notebook is connected to a port replicator, the operating system creates a hardware profile for the "Docked" mode. In this profile, for example, the monitor which was last used for output is saved as a setting. This profile will be loaded as soon as the notebook is connected to a port replicator of the same type.

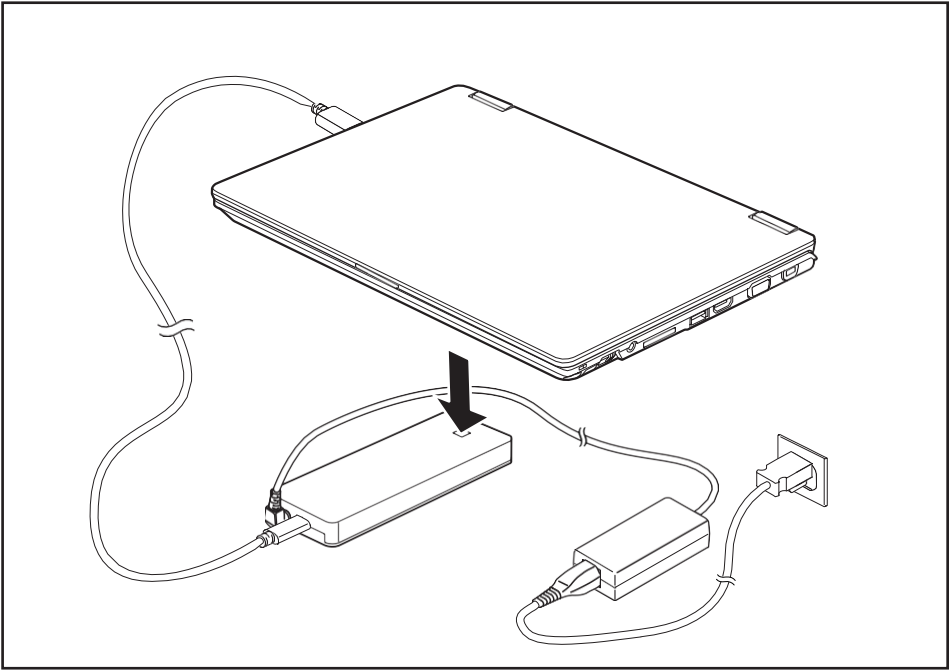
## Connecting the notebook to the port replicator

- ▶ Disconnect the AC adapter cable from the DC jack (DC IN) of the notebook.



- ▶ Connect one end of the USB cable (USB Type-C™) to the USB 3.0 port with charging function (USB Type-C™) on the notebook (1).
- ▶ Connect the other end of the USB cable (USB Type-C™) to the USB 3.0 port for data connection and power supply (USB Type-C™) on the port replicator (2).

## Switching on the notebook via the port replicator



- ▶ Press the ON/OFF button on the port replicator to switch on the notebook.

## Switching off notebook via port replicator

- ▶ Close all applications and then shut down your operating system (please refer to the manual for the operating system).

**i**

If the notebook cannot be shut down properly, press the ON/OFF button on the port replicator for approx. four seconds. The notebook will switch off. However, any unsaved data may be lost in the process.

## Disconnecting the notebook from the port replicator

- ▶ Disconnect the supplied USB cable (USB Type-C™) from the USB 3.0 port (USB Type-C™) on the notebook.

# Security functions

Your notebook has a variety of security functions that you can use to protect your system and your personal data from unauthorized access.

This chapter explains how to use these functions, and what the benefits are.



Please remember that in some cases, for example, forgetting your password, you may be locked out of the system and unable to access your data. Therefore, please note the following information:

- Make regular backups to external optical disks such as external hard drives, CDs, DVDs or Blu-ray Discs.
- Some security functions need you to choose passwords. Make a note of the passwords and keep them in a safe place.

If you forget your passwords you will need to contact our Service Desk. Deletion or resetting of passwords are not covered by your warranty and a charge will be made for assistance.



## Brief overview of the security functions

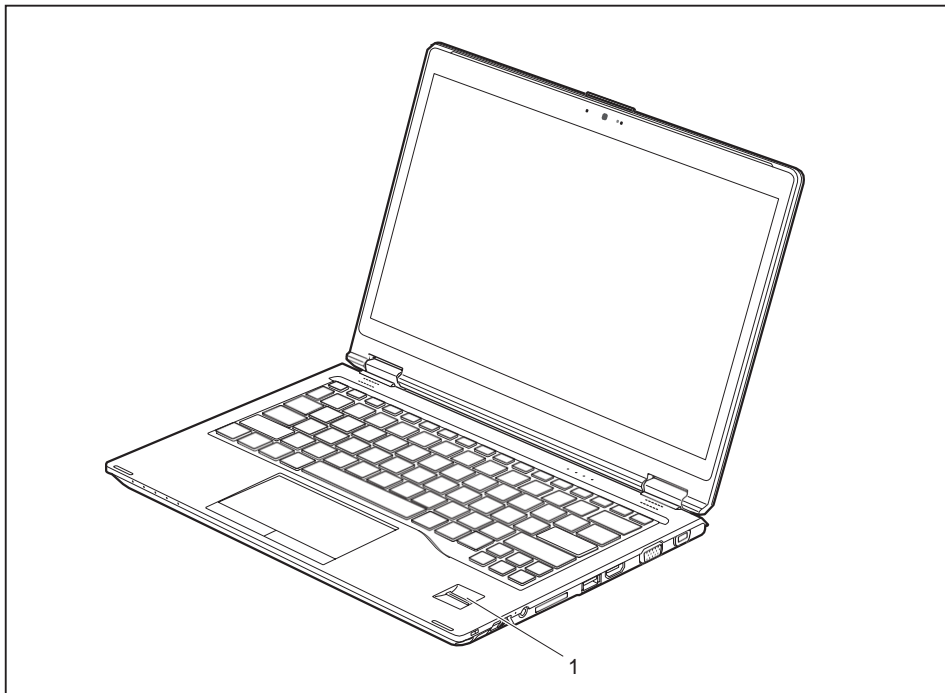


Detailed information about the security equipment of your system can be found in the "Professional Notebook" manual, on the "Drivers & Utilities" CD/DVD or on our website at ["http://www.fujitsu.com/us/support/"](http://www.fujitsu.com/us/support/).

Security function	Type of protection	Preparation
Security Lock	Mechanical	Fit and lock the Kensington Lock Cable (accessory).
Fingerprint sensor (configuration dependent)	Biometric	Install the supplied fingerprint software.
Palm scanner (configuration dependent)		
BIOS password protection	Password protection for the <i>BIOS Setup</i> , operating system and hard disk with supervisor and user password. The passwords consist of a maximum of eight alphanumeric characters.	Specify at least one supervisor password in the <i>BIOS Setup</i> and activate the password protection for the operating system and hard disk as desired.
Boot from Removable Media	Prevents unauthorized booting of an operating system from external media (e.g. USB stick, USB CD-ROM drive, etc.).	In the BIOS Setup, go to the <i>Security</i> menu and edit the <i>Boot from Removable Media</i> option.
Owner Information	Display service desk or owner information during the boot process.	In the BIOS Setup, go to the <i>Security</i> menu and edit the <i>Owner Information</i> option.
Smart Card reader (configuration dependent)	PIN and SmartCard protection for the operating system	To use the SmartCard reader functions, install the supplied (or other suitable) software.
Trusted Platform Module (configuration dependent)	Identification and authentication of the notebook	Define a supervisor password in the <i>BIOS Setup</i> and enable the TPM ( <i>Security Chip</i> ).

## Configuring the fingerprint sensor (configuration dependent)

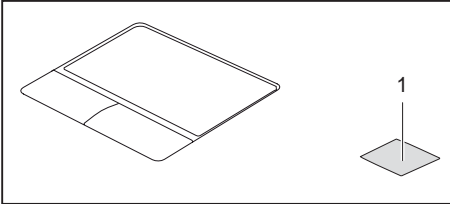
The fingerprint sensor can record the image of a fingerprint. With additional fingerprint software, this image can be processed and used instead of a password.



- ▶ Install the fingerprint software to be able to use the fingerprint sensor (1).

## Configuring the palm sensor (configuration dependent)

The palm vein sensor can record the image of the veins on the palm of your hand. This image is evaluated with additional software and can be used in place of a password.



- ▶ Install the software to use the palm vein sensor (1).

**i**

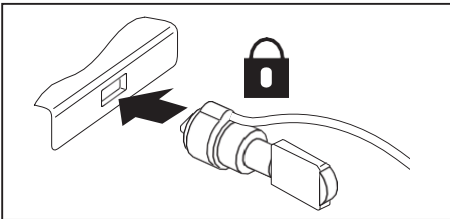
You can obtain further information on the palm vein sensor in the "appendix: Miscellaneous Information".

## Using the Security Lock

Your device comes with a Security Lock mechanism for the Kensington Lock Cable. You can use the Kensington Lock Cable, a sturdy steel cable, to help protect your notebook from theft. The Kensington Lock Cable is available as an accessory.

**i**

Fujitsu recommends the use of a combination lock.



- ▶ Fit the Kensington Lock Cable to the mechanism on your notebook.

## Configuring password protection in BIOS Setup Utility



Before using the various options for password protection in the *BIOS Setup Utility*, please proceed as follows to increase data security:

Make a note of the passwords and keep them in a safe place. If you forget your supervisor password you will not be able to access your notebook. Passwords are not covered by your warranty and a charge will be made for assistance.



Your password can be up to 32 characters long and can contain letters, numbers and special characters. A distinction is made between upper and lower case.

When using special characters, please note that these are dependent on the country-specific variant of the keyboard used.

## Protecting BIOS Setup Utility (supervisor password and user password)



If you have opened these operating instructions on the screen, we recommend that you print them out. You cannot call up the instructions on the screen while you are setting up the password.

The supervisor password and the user password both prevent unauthorized use of the *BIOS Setup Utility*. The supervisor password allows you to access all of the functions of the *BIOS Setup Utility*, while the user password will only give you access to some of the functions. You can only set up a user password if a supervisor password has already been assigned.



Calling and using the *BIOS Setup Utility* is described in the chapter ["Settings in BIOS Setup Utility", Page 87](#).

## Assigning the supervisor and user passwords

- ▶ Start the *BIOS Setup Utility* and go to the *Security* menu.
- ▶ Select the *Set Supervisor Password* field and press the Enter key.
- 4 With *Enter new Password:* you are asked to enter a password.
- ▶ Enter the password and press the Enter key.
- 4 *Confirm new Password* requires you to confirm the password.
- ▶ Enter the password again and press the Enter key.
- 4 *Changes have been saved* is displayed as a confirmation that the new password has been saved.
- ▶ To set the user password, select *Set User Password* and proceed exactly as when configuring the supervisor password.
- 4 If you do not want to change any other settings, you can exit *BIOS Setup Utility*.
- ▶ In the *Exit* menu, select the option *Save Changes & Exit*.
- ▶ Select *Yes* and press the Enter key.
- 4 The notebook is then rebooted and the new password comes into effect. It will now be necessary to first enter your supervisor or user password in order to open the *BIOS Setup Utility*. Please note that the user password only provides access to a few of the BIOS settings.

## Changing the supervisor password or user password

You can only change the supervisor password when you have logged into the *BIOS Setup Utility* with the supervisor password.

- ▶ Start the *BIOS Setup Utility* and go to the *Security* menu.
- ▶ When changing the password, proceed exactly as when assigning a password.

## Removing passwords

To remove a password (without setting a new password) perform the following steps:

- ▶ Start the *BIOS Setup Utility* and go to the *Security* menu.
  - ▶ Highlight the *Set Supervisor Password* or *Set User Password* field and press the Enter key.
- 4 You will be requested to enter the current password by the *Enter Current Password* prompt. *Enter New Password* will appear and you will be requested to enter a new password.
- ▶ Press the Enter key twice at this request.
  - ▶ In the *Exit* menu, select the option *Save Changes & Exit*.
  - ▶ Select *Yes* and press the Enter key.
- 4 The notebook will now reboot with the password removed.  
With the supervisor password, you simultaneously deactivate the user password.

## Password protection for booting the operating system



With the supervisor password you have set in the *BIOS Setup Utility* (see section ["Assigning the supervisor and user passwords", Page 66](#)), you can also prevent booting of the operating system.

### Activating system protection

- ▶ Start the *BIOS Setup Utility* and go to the *Security* menu.
  - ▶ Select the *Password on Boot* option and press the Enter key.
  - ▶ Select the option you require (*Disabled*, *First Boot* or *Every Boot*) and press the enter key
  - ▶ Select the *Save Changes & Exit* option under *Exit*.
- 4 The notebook will reboot. You will be prompted to enter your password (the supervisor password).

### Deactivating system protection

- ▶ Start the *BIOS Setup Utility* and go to the *Security* menu.
  - ▶ Select the *Password on Boot* option and press the Enter key.
  - ▶ Select the *Disabled* option and press the Enter key.
- 4 If you do not want to change any other settings, you can exit *BIOS Setup Utility*.
- ▶ Select the *Save Changes & Exit* option under *Exit*.
- 4 The notebook will reboot. The system is no longer password-protected.

### Password protection for the hard disk

If a supervisor password was set, an additional password for the hard disk can be set in the *Hard Disk Security* menu.

The hard disk is protected by this password. Data on this hard disk can then only be read in another system if the correct password is entered.

### Smart Card reader (configuration-dependent)

Smart Cards are not supplied as standard equipment. You can use all Smart Cards that comply with the ISO standard 7816-1, -2 or -3. These Smart Cards are available from various manufacturers.

With the appropriate software you can use your Smart Card as an alternative to password protection, but also as a digital signature, for encrypting your e-mails or for home banking.

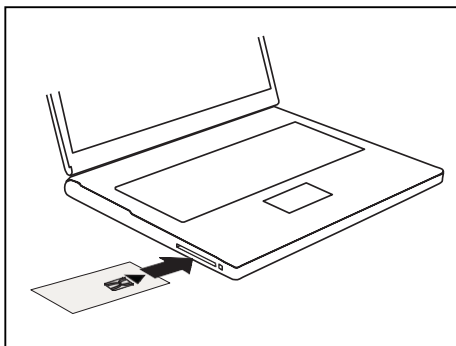
We recommend that you always use two Smart Cards. Always keep one of the Smart Cards in a safe place if you are carrying the other Smart Card with you.

### Inserting the Smart Card



Do not use force when inserting and removing the Smart Card.

Make sure that foreign objects do not fall into the Smart Card reader.



- ▶ Slide the Smart Card into the Smart Card reader with the chip facing upwards and to the front.

### Trusted Platform Module - TPM

To use the TPM, you **must** enable the TPM in the *BIOS-Setup* before the software is installed. The requirement for this is that you have assigned at least the supervisor password (see ["Security functions", Page 62](#)).

## Enabling TPM

- Requirement: You have assigned a supervisor password (see ["Security functions", Page 62](#)).
  - ▶ Call BIOS Setup and select the *Security* menu.
  - ▶ Mark the *TPM Security Chip Setting* field and press the Enter key.
  - ▶ Select the entry *Enabled* to enable the TPM
- 4 Once you have enabled the TPM the *Clear Security Chip* menu item appears. You can clear the holder in the TPM using *Clear Security Chip*. With *Enabled*, all secret keys (e.g. SRK - Storage Root Keys, AIK - Attestation Identity Keys etc.) generated by applications are deleted.
- Take note that you can then no longer access the data you have encrypted on the holder-based keys!
- ▶ From the *Exit* menu, select the option *Exit Saving Changes*.
  - ▶ Press the Enter key and select *Yes*.
- 4 The notebook restarts and the TPM is switched on after the reboot.

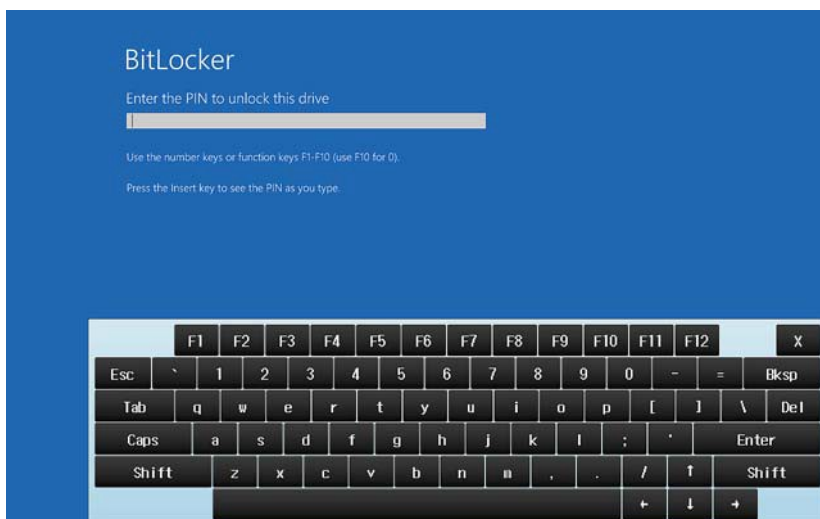
## Disabling TPM

- Requirement: You have assigned a supervisor password (see ["Security functions", Page 62](#)).
  - ▶ Call BIOS Setup and select the *Security* menu.
  - ▶ Mark the *TPM Security Chip Setting* field and press the Enter key.
  - ▶ Select the entry *Disabled* to disable the TPM.
  - ▶ In the *Exit* menu, select the option *Exit Saving Changes*.
  - ▶ Press the Enter key and select *Yes*.
- 4 The notebook will now reboot with TPM deactivated.

## Activating password entry via OnScreen keyboard (OnScreen keyboard for BitLocker password)

If TPM is activated, you can enable an OnScreen keyboard for the internal touchscreen in the BIOS Setup.

- ▶ Call up the BIOS Setup and select the *Advanced* menu.
  - ▶ Highlight *Boot Configurations* and press the Enter key.
  - ▶ From the *UEFI Boot On-Screen Keyboard* selection, choose the *Enable* or *Disable* option.
  - ▶ From the *Exit* menu, choose the option *Exit Saving Changes*.
  - ▶ Press the Enter key and select *Yes*.
- 4 The notebook will now reboot and the password dialog will be displayed.  
To enable the OnScreen keyboard, tap on the password field.





# Connecting external devices



Under all circumstances, please observe the safety notes provided in the ["Important notes", Page 13](#) chapter before connecting or disconnecting any devices to or from your notebook.

Always read the documentation supplied with the device you wish to connect.

Never connect or disconnect cables during a thunderstorm.

Never pull at a cable when disconnecting it. Always grasp the plug.

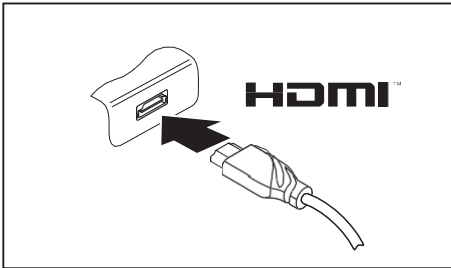


With some devices such as USB devices, it is not necessary to switch off the notebook and the device before connecting/disconnecting. For more information about whether or not devices need to be switched off, please refer to the documentation supplied with the external device.

Some of the external devices require special drivers (see the operating system and external device documentation).

## HDMI port

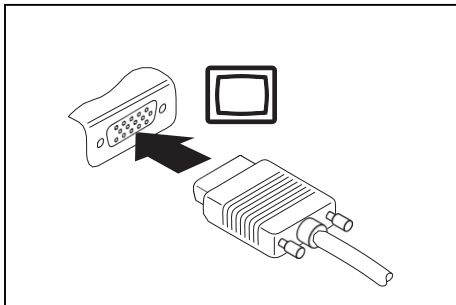
The HDMI port on your notebook or the optional port replicator can be used to connect an external amplifier, LCD TV or a plasma TV with an HDMI connection.



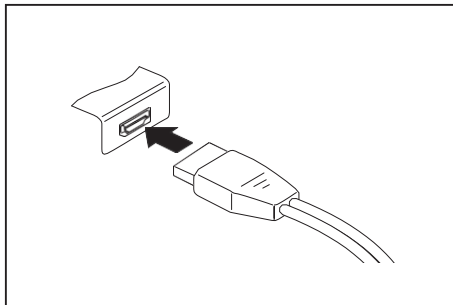
- ▶ Connect the data cable to the external device.
- ▶ Connect the data cable to the HDMI port on the notebook or on the optional port replicator.

## Connecting an external monitor

An analogue monitor is connected to the analogue external monitor port (VGA), a digital monitor to the Display Port on the optional port replicator. Display output is limited to a maximum of two monitors at any one time (see ["Key combinations", Page 43](#), section "Toggle display output").



Analog external monitor port (VGA) (on notebook or on optional port replicator)



Digital Display Port (on the optional port replicator)

- ▶ Switch off the notebook and the external monitor.
- ▶ Plug the data cable of the external monitor into the monitor port.
- ▶ First switch on the external monitor and then the notebook.



You can also switch back and forth between the external monitor and the LCD screen of the notebook, see chapter ["Key combinations", Page 43](#).

You can display the same picture on the external monitor and the notebook LCD screen simultaneously.

## Connecting USB devices

On the USB ports you can connect external devices that also have a USB port (e.g. a DVD drive, a printer, a scanner or a modem).

**i**

USB devices are hot-pluggable. This means you can connect and disconnect the cables of USB devices while the operating system is running.

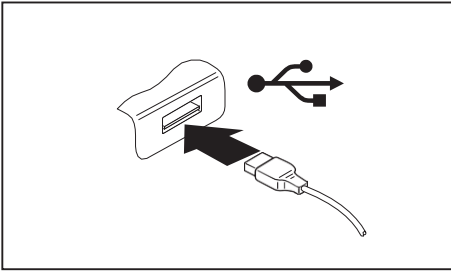
USB 1.x has a maximum data transfer rate of 12 Mbps.

USB 2.0 has a data transfer rate of up to 480 Mbps.

USB 3.0 has a data transfer rate of up to 5 Gbps.

USB 3.1 has a data transfer rate of up to 10 Gbps.

Additional information can be found in the documentation for the USB devices.



- ▶ Connect the data cable to the external device.
- ▶ Connect the data cable to a USB port of the notebook.

**i**

### Device drivers

USB devices will be automatically recognized and installed by your operating system.

## USB port with charging function (USB Type-C™)

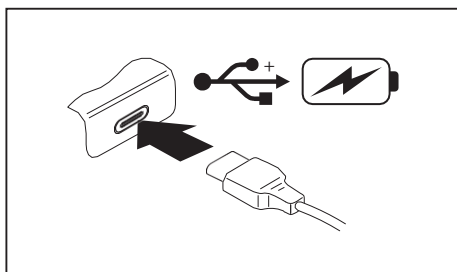
At this USB port, you can charge a connected USB device or operate devices without an additional power supply (e.g. a monitor or printer).

This is also possible with the notebook switched off, if the *USB Type-C Power Delivery on System-Off* function is activated in the *Advanced - Miscellaneous Configurations* menu of the *BIOS Setup Utility*. Calling up and using the *BIOS Setup Utility* is described in section "[Settings in BIOS Setup Utility](#)", [Page 87](#).



USB devices are hot-pluggable. This means you can connect and disconnect the cables of USB devices while the operating system is running.

Additional information can be found in the documentation for the USB devices.



- ▶ Connect the data cable to the external device.
- ▶ Connect the data cable to a USB port (USB Type-C™) on the notebook.

## USB port with charging function (Anytime USB charge)

You can use this USB port to charge or supply power to a USB device (e.g. to charge a PDA or a mobile phone or to connect a USB lamp).

This is possible even when the notebook is switched off, if the *Anytime USB Charge* function is enabled in the *Advanced/Miscellaneous Configurations* menu of the *BIOS Setup Utility*. If the setting *AC* is selected, the device will only be charged when the AC adapter is connected.

Calling and using the *BIOS-Setup-Utility* is described in the section "[Settings in BIOS Setup Utility](#)", Page 87.

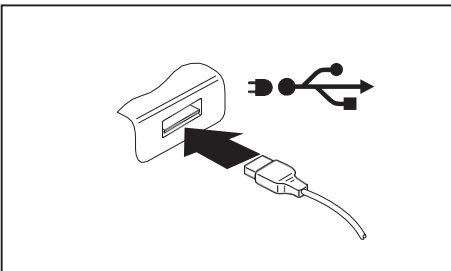


It is recommended that the notebook be operated with the AC adapter connected whenever the USB port with charging function is in use, as this function will drain the battery more quickly if an external USB device is being charged.

The AC adapter must already be connected when the notebook is switched off, as otherwise the USB charging function will be disabled and the connected USB devices will not be charged.



Some USB devices (e.g. mobile telephony) require a driver in order to utilize the USB charging function. In this case the USB charging function will not work when the notebook is switched off, as no drivers are active when the notebook is switched off.



- ▶ Connect the data cable to the external device.
- ▶ Connect the data cable to a USB port (Anytime USB charge) of the notebook.

## How to remove USB devices correctly

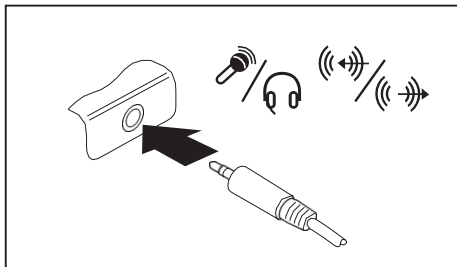


Always correctly remove the device according to the rules described below, to ensure that none of your data is lost.

- ▶ With the left mouse button, click on the symbol in the taskbar for safe removal of hardware.
  - ▶ Select the device you wish to shut down and remove.
  - ▶ Press the "Enter" key.
- 4 Wait for the dialog box which tells you that it is now safe to remove the device.

## Headphones/microphone/Line-In/Line-Out/headset-combi port

Using the headphones/microphone/Line-In/Line-Out/headset-combi port, you can connect a headset, headphones, a microphone or external speakers to your notebook.



- ▶ Connect the audio cable to the external device.
  - ▶ Connect the audio cable to the headphone port of the notebook.
- 4 The internal speakers are disabled.



If you purchase a cable from a retailer, please note the following information:

The headphones/microphone/Line-In/Line-Out/headset-combi port on notebook is a "3.5 mm jack socket".

# Removing and installing components during servicing



Only qualified technicians should repair your notebook. Unauthorized opening or incorrect repair may greatly endanger the user (electric shock, fire risk) and will invalidate your warranty.

You may remove and install the components described in this chapter yourself after consulting the Hotline/Service Desk.



If you remove and install components without consulting the Hotline/Service Desk, then the warranty of your notebook will be voided.

## Notes on installing and removing boards and components

- Switch off your notebook and remove the AC plug from the power outlet.
- Always remove the battery.
- Take care when you use the locking mechanisms for the battery and any other component.
- Never use sharp objects such as screwdrivers, scissors or knives as a lever to remove covers. Boards with electrostatic sensitive devices (ESD) are marked with the label shown.



When handling boards fitted with ESDs, you must always observe the following points:

- You must always discharge static build up (e.g. by touching a grounded object) before working with boards.
- The equipment and tools you use must be free of static charge.
- Remove the AC plug from the power outlet before inserting or removing boards.
- Always hold boards by their edges.
- Never touch connector pins or conductors on the board.

## Preparing to remove components

If you are going to remove or change system components, prepare for the removal as follows:



Please observe the safety information in chapter ["Important notes", Page 13](#).

Remove the AC plug from the power outlet!

- ▶ Switch the device off.



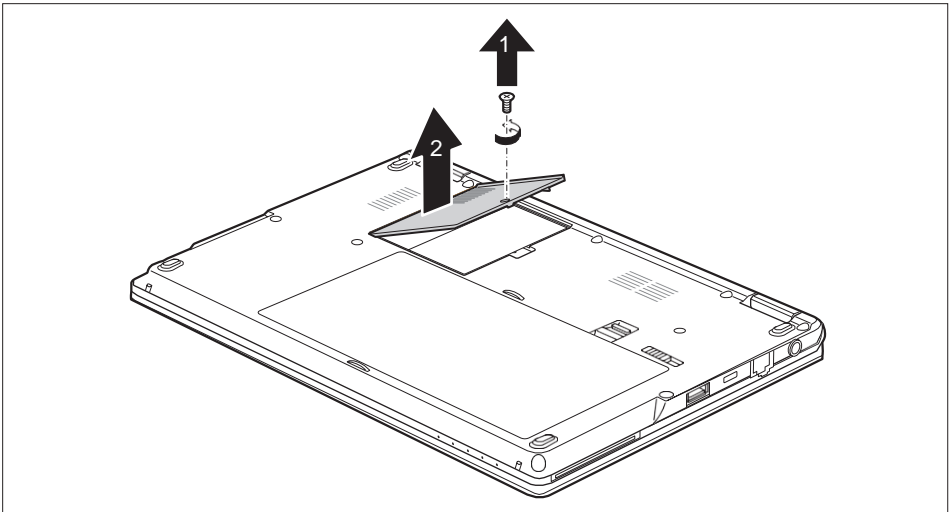
The device must not be in energy saving mode.

- ▶ Close the LCD screen.
- ▶ Remove all the cables from the device.
- ▶ Turn the device over and place it on a stable, flat and clean surface. If necessary, lay an anti-slip cloth on this surface to prevent the device from being scratched.
- ▶ Remove the battery, see ["Removing a battery", Page 47](#).



## Remove the cover

- ▶ Prepare for removal, see ["Preparing to remove components", Page 78](#).



- ▶ Remove the screw (1).



Keep the screw in a safe place.

- ▶ Lift the cover off the notebook (2).

## Removing and installing memory expansion

If you are asked by the Hotline/Service Desk to remove or install a memory expansion module yourself, proceed as follows:



Please observe the safety information in chapter ["Important notes", Page 13](#).

During installation/removal of memory modules, the battery must remain removed from the notebook and the notebook must not be connected to the AC adapter, see ["Preparing to remove components", Page 78](#).

Only use memory modules that have been approved for use in your notebook (see chapter ["Technical data", Page 98](#)).

Never use force when installing or removing a memory module.

Make sure that no foreign objects fall into the memory upgrade compartment.

You must open the memory upgrade compartment to remove or install a memory module. On some devices, it is possible that opening the compartment exposes various components. Only authorized specialists are permitted to remove or change these components. Therefore, be sure to observe the following:

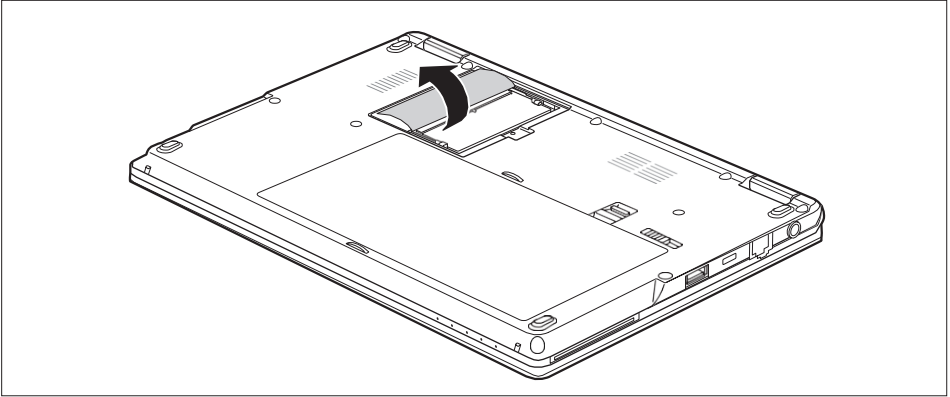


Individual components can become very hot during operation. Therefore, we recommend that you wait one hour after switching the notebook off before removing or installing memory modules. Otherwise, there is a risk of suffering burns!

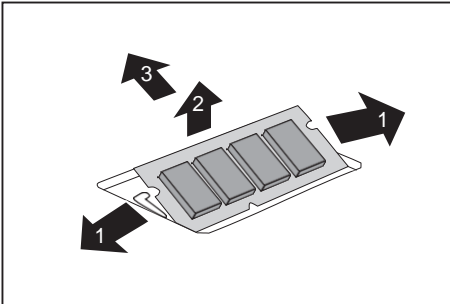
As some components are exposed that are sensitive to static electricity, please take note of chapter ["Notes on installing and removing boards and components", Page 77](#).

## Removing a memory module

- ▶ Remove the cover "[Remove the cover](#)", [Page 79](#)

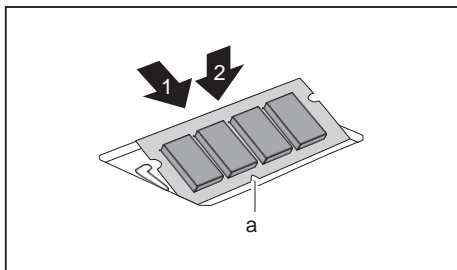


- ▶ Fold over the protective film in the direction of the arrow.

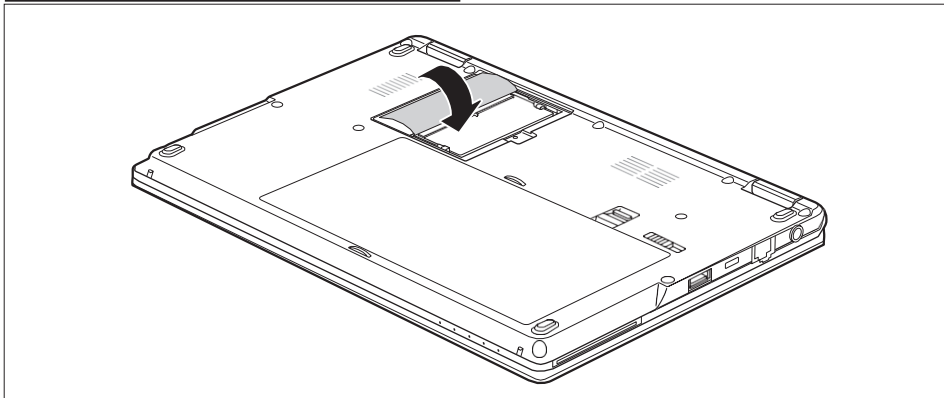


- ▶ Carefully push the two mounting clips outwards (1).
- 4 The memory module will fold upwards (2).
- ▶ Pull the memory module out of its slot in the direction of the arrow (3).

## Installing a memory module



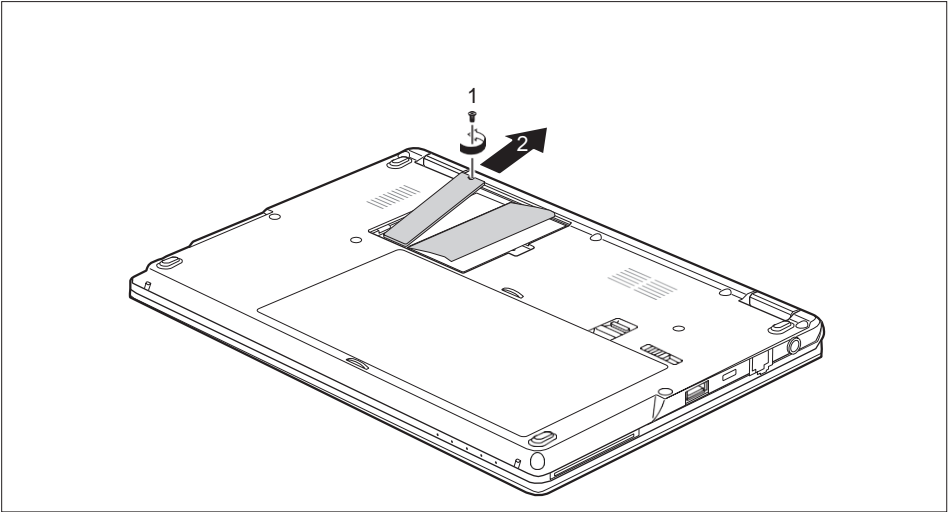
- ▶ Insert the memory module with the contacts and the recess (a) forward in the slot (1).
- ▶ Carefully push the memory module downwards until you feel it click into place (2).



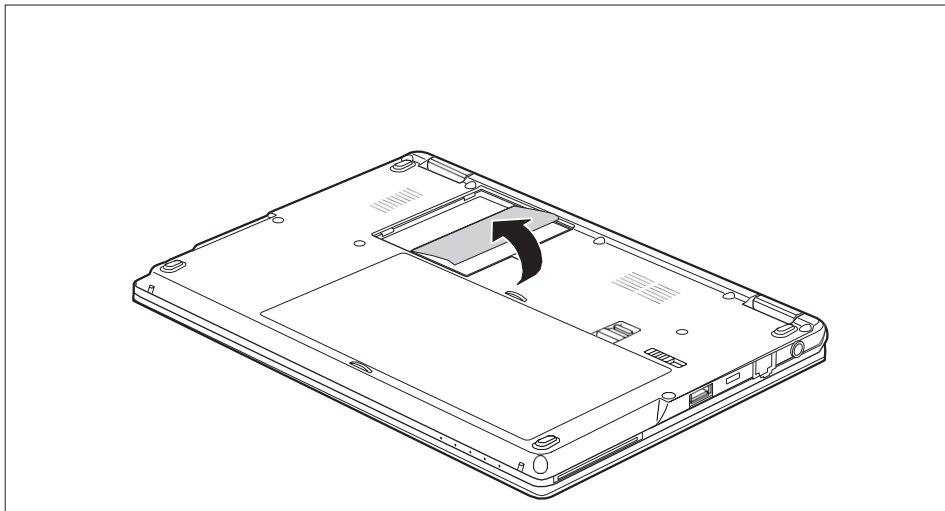
- ▶ Fold over the protective film in the direction of the arrow.
- ▶ Fasten the cover again, see ["Attaching the cover", Page 86](#)

## Installing and removing an M.2 module

### Removing the M.2 module



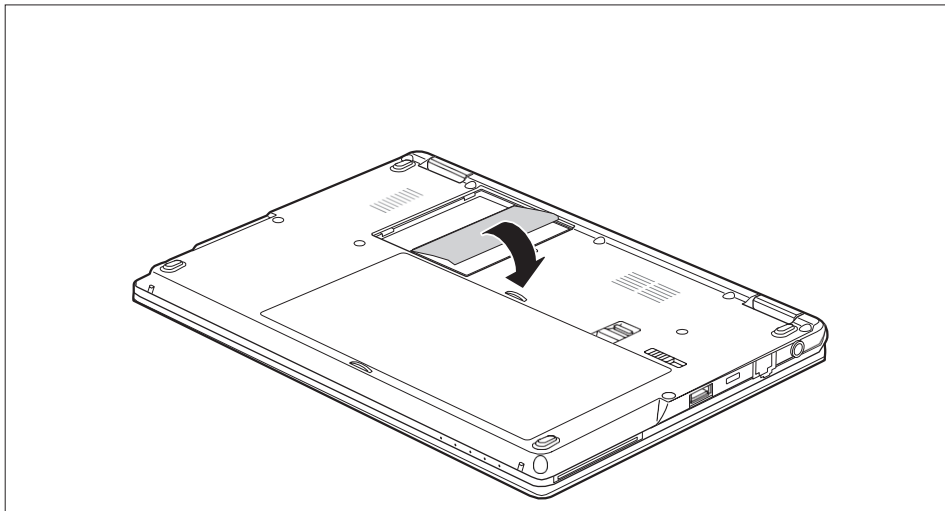
- ▶ Loosen the screw (1).
- ▶ Raise the M.2 module carefully upwards at the free side.
- ▶ Pull the M.2 module out of the slot on the mainboard in the direction of the arrow (2) and remove it from the casing.



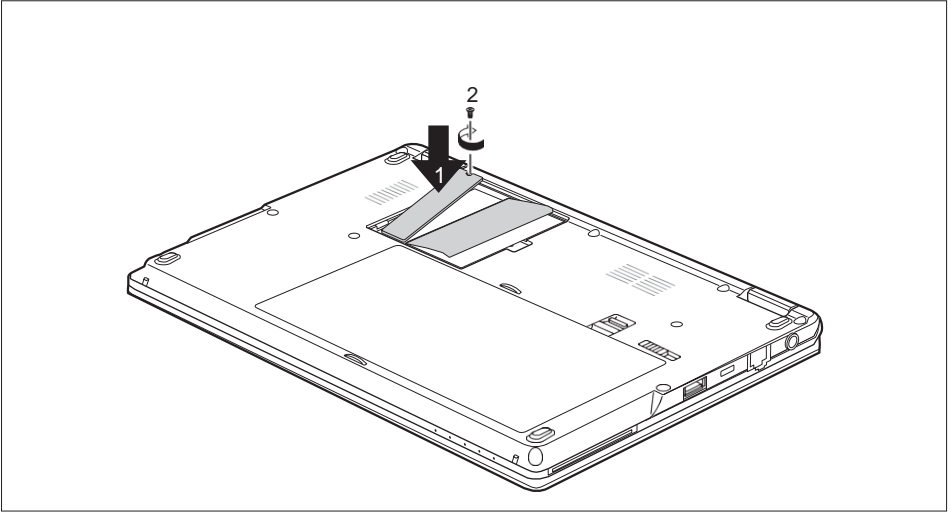
- ▶ Fold over the protective film in the direction of the arrow.
- ▶ Fasten the cover again, see "[Attaching the cover](#)", Page 86

## Installing the M.2 module

- ▶ Remove the cover, see "[Remove the cover](#)", Page 79

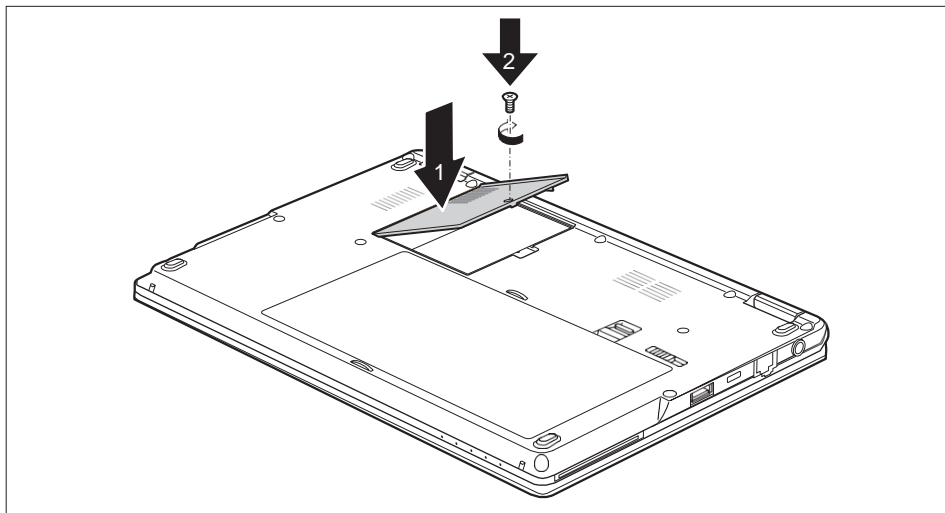


- ▶ Fold over the protective film in the direction of the arrow.



- ▶ Position the M.2 module in the slot on the mainboard at a slight angle, in the direction of the arrow (1).
- ▶ Secure the W.2 module in its location with the screw (2).

## Attaching the cover



- ▶ Place the cover in the correct location (1).
- ▶ Tighten the screw (2).
- ▶ Complete the installation, see ["Finishing component removal", Page 86](#).

## Finishing component removal

After you have removed or changed the system components as required, please prepare your device for operation again as follows:

- ▶ Install the battery again, see ["Installing a battery", Page 49](#).
- ▶ Turn the notebook the right way up again and place it on a flat surface.
- ▶ Reconnect the cables that were previously disconnected.



# Settings in BIOS Setup Utility

The *BIOS Setup Utility* allows you to set the system functions and the hardware configuration for the notebook.

When a notebook is delivered, the factory default settings are effective. You can change these settings in the menus of the *BIOS Setup Utility*. Any changes you make take effect as soon as you save and exit the *BIOS Setup Utility*.

The *BIOS Setup Utility* program contains the following menus:

<i>About</i>	Displays information relating to the BIOS, processor and notebook
<i>System</i>	Advanced system settings
<i>Advanced</i>	Configuration of various hardware components, such as mouse, keyboard, processor
<i>Security</i>	Password settings and security functions
<i>Boot</i>	Configuration of the start-up sequence
<i>Exit</i>	Exits the <i>BIOS Setup Utility</i>

## Starting the BIOS Setup Utility

- ▶ Reboot the device (switch off/on or reboot the operating system).
- 4 Depending on the setting for *Fast Boot* in the *BIOS-Setup-Utility*, the following notification may appear on the screen during start-up:
  - <F2> BIOS Setup <F12> Boot Menu
- ▶ Press the function key **[F2]**.
- ▶ If a password has been assigned, enter the password and press the Enter key.



If you have forgotten the password, contact your system administrator or contact our customer service center.

The *BIOS Setup Utility* starts.

## BIOS Setup Utility operation



Press the **[F1]** key to display help about operation of the *BIOS Setup Utility*. The description of the individual settings is shown in the right-hand window of the *BIOS Setup Utility*.

With the **[F9]** key you can load the default settings of the *BIOS Setup Utility*.

- ▶ Use the cursor keys **[←]** or **[→]** to select the menu you wish to access to make changes.
- 4 The menu is displayed on the screen.
- ▶ Select the option you want to change with the cursor keys **↑ [O]** **↓ [.]**
- ▶ Press the "Enter" key.
- ▶ Press the **[ESC]** key to exit the selected menu.
- ▶ For future reference, make a note of the changes you have made (for example, in this manual).

## Exiting BIOS Setup Utility

You need to select the desired option in the *Exit* menu and activate it by pressing the Enter key:

### Exit Saving Changes - save changes and exit BIOS Setup Utility

- ▶ To save the current menu settings and exit the *BIOS Setup Utility*, select *Exit Saving Changes* and *Yes*.
- 4 The notebook is rebooted and the new settings come into effect.

### Exit Discarding Changes - Reject changes and exit BIOS Setup Utility

- ▶ To discard the changes, select *Exit Discarding Changes* and *Yes*.
- 4 The settings in place when *BIOS Setup Utility* was called remain effective. *BIOS Setup Utility* is terminated and the notebook is rebooted.

### Load Setup Defaults – load default values

- ▶ To copy the standard entries for all menus of the *BIOS Setup Utility*, choose *Load Setup Defaults* and *Yes*.

### Discard Changes - Discard Changes without exiting BIOS Setup Utility

- ▶ To discard the changes you have made, select *Discard Changes* and *Yes*.
- 4 The settings in place when *BIOS Setup Utility* was called remain effective. You can now make additional settings in the *BIOS Setup Utility*.
- ▶ If you want to exit the *BIOS Setup Utility* with these settings, select *Exit Saving Changes* and *Yes*.

### Save Changes - save changes without exiting the BIOS Setup Utility

- ▶ To save the changes, select *Save Changes* and *Yes*.
- 4 The changes are saved. You can now make additional settings in the BIOS Setup Utility.
- ▶ If you want to exit BIOS Setup Utility with these settings, choose *Exit Saving Changes* and *Yes*.

### Save changes and power off

- ▶ To save the changes and switch off your device, select *Save Changes and Power Off* and *Yes*.
- 4 The changes are saved. Your device is shut down.

# Troubleshooting and tips

If a fault occurs, try to correct it as described. If you fail to correct the problem, proceed as follows:

- ▶ Make a note of the steps and the circumstances that led to the fault. Also make a note of any error messages displayed.
- ▶ Switch the notebook off.
- ▶ Please contact the Hotline/Service Desk.



You can contact Fujitsu Service and Support in the following ways:

- Toll free phone: 1-800-8Fujitsu (1-800-838-5487)
- Website: ["http://solutions.us.fujitsu.com/www/content/support/contact/index.php"](http://solutions.us.fujitsu.com/www/content/support/contact/index.php)

Before you place the call, have the following information ready so that the customer support representative can provide you with the fastest possible solution:

- The model name and serial number of the notebook. The serial number is located on a sticker on the underside of the notebook.
- Notes with the messages that appeared on the screen and information on acoustic signals.
- Any changes you have made to the hardware or software since receiving the notebook.
- Any changes you have made to the *BIOS Setup* settings after receiving the notebook.
- Your system configuration and all peripheral devices connected to your system.
- Your sales contract.



Our notebooks have been designed primarily with mobile applications in mind.

This means that considerable effort has been made to optimize components and equipment in terms of weight, space and energy requirements. Depending on the particular configuration you have purchased, it is possible that functionality may be slightly reduced compared to a desktop PC if you are running processor-intensive gaming software, e.g. games with intensive 3D graphics. Updating your hardware with drivers which have not been approved by Fujitsu may result in performance losses, data losses or malfunction of the equipment. A list of approved drivers and current BIOS versions can be downloaded from: ["http://solutions.us.fujitsu.com"](http://solutions.us.fujitsu.com)

## Help if problems occur

Should you encounter a problem with your computer that you cannot resolve yourself:

- ▶ Note the ID number of your device. The ID number is found on the type rating plate on the back or underside of the casing.
- ▶ For further clarification of the problem, contact the Fujitsu Service Desk. When you do this, please have ready the ID number and serial number of your system.

## Recovering your Factory Image

In the event you need to restore your original Factory Image, please refer to the appendix of this Operating Manual.

## The notebook's date or time is incorrect

Cause	Troubleshooting
Time and date are incorrect.	▶ With the <i>BIOS-Setup-Utility</i> , you can set the date and time in the <i>Main</i> menu.
Date and time are still set incorrectly after switching on the notebook.	▶ Please contact your sales outlet or our hotline/service desk.

## Battery indicator does not illuminate

Cause	Troubleshooting
The battery is not installed correctly.	<ul style="list-style-type: none"> <li>▶ Switch the notebook off.</li> <li>▶ Check whether the battery is installed correctly in its compartment.</li> <li>▶ Switch the notebook on.</li> </ul>
The battery is discharged.	<ul style="list-style-type: none"> <li>▶ Charge the battery.</li> </ul> <p>or</p> <ul style="list-style-type: none"> <li>▶ Install a charged battery.</li> </ul> <p>or</p> <ul style="list-style-type: none"> <li>▶ Connect the notebook to a AC outlet using the AC adapter.</li> </ul>

## When certain characters are entered on the keyboard, only numerals are written

Cause	Troubleshooting
The virtual number keys of your device are activated, see <a href="#">"Virtual number keys", Page 42</a>	▶ Press the <input type="text" value="Num"/> button.

## The notebook's LCD screen remains blank

Cause	Troubleshooting
Screen is switched off.	▶ Press a key or touch the Clickpad.
External monitor or television set connected.	▶ Press the key combination for changing over the screen output, see <a href="#">"Key combinations", Page 43</a> .

## The LCD screen of the notebook is difficult to read

Cause	Troubleshooting
Reflected glare	<ul style="list-style-type: none"> <li>▶ Turn the notebook or alter the tilt of the LCD screen.</li> <li>▶ Increase the brightness of the screen.</li> </ul>

## The external monitor remains blank

Cause	Troubleshooting
Monitor is switched off.	▶ Switch the external monitor on.
Power saving has been activated (monitor is blank).	▶ Press any key to continue.
Brightness is set to dark.	▶ Adjust the brightness of the monitor.
Screen output is set to the notebook's LCD screen	▶ Press the key combination for changing over the screen output, see " <a href="#">Key combinations</a> ", <a href="#">Page 43</a> .
The external monitor's AC cable or data cable is not connected properly.	<ul style="list-style-type: none"> <li>▶ Switch off the external monitor and the notebook.</li> <li>▶ Check whether the AC cable is plugged properly into the external monitor and into the power outlet.</li> <li>▶ Check whether the data cable is properly connected to the notebook and the external monitor (if it is plugged in with a connector).</li> <li>▶ Switch on the external monitor and the notebook.</li> </ul>

## The external monitor is blank or the image is unstable

Cause	Troubleshooting
The wrong external monitor has been selected or the wrong screen resolution has been set for the application program.	<ul style="list-style-type: none"> <li>▶ Terminate the application program under Windows by pressing <b>Alt + F4</b>. If the error persists after terminating the program, use the key combination for switching the screen output (see "<a href="#">Key combinations</a>", <a href="#">Page 43</a>), in order to switch to the LCD screen of the notebook. Change the following setting:</li> <li>▶ Set the screen resolution: Set the screen resolution as described in the documentation for your operating system.</li> <li>▶ Select monitor: Select monitor 1 or 2 as described in the documentation for your operating system.</li> </ul>

## The cursor does not correctly follow the stylus movements

Cause	Troubleshooting
Stylus incorrectly calibrated.	<ul style="list-style-type: none"> <li>▶ Calibrate the stylus as shown under <i>Hardware and Sound / Tablet PC Settings</i> in the Control Panel, see "<a href="#">Adjusting the stylus</a>", <a href="#">Page 36</a> and "<a href="#">Calibrating the stylus</a>", <a href="#">Page 36</a>.</li> </ul>

## Stylus input not working

Cause	Troubleshooting
Incorrect driver installed.	<ul style="list-style-type: none"> <li>▶ If your device is one which can only be operated using the stylus, install the driver for the standard model.</li> </ul> <p>or</p> <ul style="list-style-type: none"> <li>▶ If your device is one which can be operated using the stylus and by finger, install the driver for the "Dual Digitizer" model.</li> </ul>
The stylus is in power saving mode.	<ul style="list-style-type: none"> <li>▶ Press gently on the tip of the stylus to reactivate the stylus.</li> </ul>
The stylus battery is completely discharged.	<ul style="list-style-type: none"> <li>▶ Carefully insert the stylus in its slot on the notebook to charge the stylus battery.</li> </ul>

## The notebook does not start after switching it on

Cause	Troubleshooting
The battery is not installed correctly.	<ul style="list-style-type: none"> <li>▶ Check whether the battery is installed correctly in its compartment.</li> <li>▶ Switch the notebook on.</li> </ul>
The battery is dead.	<ul style="list-style-type: none"> <li>▶ Charge the battery.</li> </ul> <p>or</p> <ul style="list-style-type: none"> <li>▶ Insert a charged battery.</li> </ul> <p>or</p> <ul style="list-style-type: none"> <li>▶ Connect the AC adapter to the notebook.</li> </ul>
The AC adapter is not connected properly.	<ul style="list-style-type: none"> <li>▶ Check whether the AC adapter is properly connected to the notebook.</li> <li>▶ Switch the notebook on.</li> </ul>

## The notebook stops working

Cause	Troubleshooting
The notebook is in energy saving mode.	▶ End energy saving mode.
An application program has caused the malfunction.	▶ Close the application program or restart the notebook (by restarting the operating system or switching the device off and back on again).
The battery is dead.	▶ Charge the battery.  or ▶ Insert a charged battery.  or ▶ Connect the AC adapter to the notebook.

## The printer does not print

Cause	Troubleshooting
The printer is not switched on.	▶ Make sure that the printer is switched on and ready for operation (refer to the documentation supplied with the printer).
The printer is not connected correctly.	▶ Check that the data cable connecting the notebook to the printer is properly connected.
The printer driver is faulty or not correctly installed, or it is the wrong printer driver.	▶ Check whether the correct printer driver is loaded (refer to the printer documentation).

## The wireless connection to a network does not work

Cause	Troubleshooting
The wireless component is switched off.	▶ Switch the wireless component on (see <a href="#">"Switching the wireless components on and off", Page 55</a> ).
The wireless component is switched on. Despite this, the wireless connection to a network does not work.	▶ Check whether the wireless connection is enabled by the software. ▶ Further information on using the wireless component can be found in the help files.



## The battery discharges too quickly

Cause	Troubleshooting
The battery is either too hot or too cold. In this case the battery indicator flashes.	<ul style="list-style-type: none"> <li>▶ Move the notebook so that its temperature returns to within the normal range.</li> <li>▶ If the operating time of the battery life is extremely short, the battery is probably too old. Replace the battery if necessary.</li> </ul>
You may have an application running that consumes a great deal of power due to frequent accessing of the hard disk or optical drive.	<ul style="list-style-type: none"> <li>▶ Use the AC adapter whenever possible.</li> </ul>
The maximum brightness may have been set for the screen.	<ul style="list-style-type: none"> <li>▶ Set the screen slightly darker with the key combination for <i>Decreasing the screen brightness</i> in order to reduce the amount of power being drawn.</li> </ul>

## Smart Card reader is not recognized

Cause	Troubleshooting
Smart Card inserted incorrectly.	<ul style="list-style-type: none"> <li>▶ Make sure you have inserted your Smart Card into the Smart Card reader with the chip facing upwards / downwards (device-dependent).</li> <li>▶ Check whether the Smart Card you are using is supported. Your Smart Card must comply with the ISO standard 7816-1, -2, -3 and -4.</li> </ul>

## Smart Card PIN forgotten

Cause	Troubleshooting
PIN forgotten	<ul style="list-style-type: none"> <li>▶ If you are working in a network, contact your system administrator, who can unlock your notebook with a Supervisor PIN.</li> </ul>

## Smart Card lost

Cause	Troubleshooting
Smart Card lost.	<ul style="list-style-type: none"> <li>▶ If you are working in a network, contact your system administrator, who can boot your notebook with a Supervisor Smart Card.</li> </ul>

## User and/or supervisor SmartCard lost

Cause	Troubleshooting
User and/or supervisor SmartCard lost	<ul style="list-style-type: none"> <li>▶ If you have lost your user SmartCard, you can continue to work with the supervisor SmartCard.</li> <li>▶ If you have lost the supervisor SmartCard, you can also continue working, but you no longer have all rights and cannot initialize another supervisor SmartCard.</li> </ul>

## Acoustic warning

Cause	Troubleshooting
A beep sounds every few seconds. The battery is almost dead.	<ul style="list-style-type: none"> <li>▶ Charge the battery.</li> </ul>

## Error messages on the screen

This section describes the error messages generated by the BIOS Setup. Error messages displayed by the operating system or programs are described in the documentation for these programs.



If the error message appears repeatedly despite troubleshooting measures, contact the place of purchase or our customer service center.

Error message/cause	Troubleshooting
<i>CMOS Battery Bad</i> If the error message occurs repeatedly, the back-up battery in the notebook is dead.	<ul style="list-style-type: none"> <li>▶ Contact your sales outlet or our customer service center.</li> </ul>
<i>System CMOS checksum bad - Default configuration used</i> The system configuration information is incorrect.	<ul style="list-style-type: none"> <li>▶ Switch the notebook off.</li> <li>▶ Switch the notebook on.</li> <li>▶ Press the function key <b>[F2]</b> to access the <i>BIOS Setup</i>.</li> <li>▶ In the <i>BIOS Setup</i>, select the <i>Exit</i> menu.</li> <li>▶ Select the entry <i>Load Setup Defaults</i>.</li> <li>▶ Select <i>OK</i> and press the Enter key.</li> </ul>
<i>Extended memory failed at offset: xxxx Failing Bits: zzzz zzzz</i> When testing the extended memory, an error has resulted at the address xxxx.	<ul style="list-style-type: none"> <li>▶ Check whether the additional memory module has been inserted correctly.</li> </ul>
<i>Failure Fixed Disk n</i> The settings of the hard disk drive are incorrect.	<ul style="list-style-type: none"> <li>▶ Start the <i>BIOS Setup (Primary Master submenu)</i> and select the correct settings.</li> </ul>

Error message/cause	Troubleshooting
<i>Keyboard controller error</i>	<ul style="list-style-type: none"> <li>▶ Switch off the notebook with the ON/OFF button.</li> <li>▶ Wait 3 - 5 seconds and switch on the notebook again.</li> </ul>
<i>Keyboard error</i>	<p>If you use an external keyboard:</p> <ul style="list-style-type: none"> <li>▶ Check the connection and reboot the notebook.</li> </ul>
<i>nn Stuck key</i>	<ul style="list-style-type: none"> <li>▶ Make sure that no key is pressed.</li> </ul>
<i>Operating system not found</i>	<ul style="list-style-type: none"> <li>▶ Check in the <i>BIOS Setup</i> whether your hard disk has been set correctly.</li> <li>▶ Make sure that the operating system is installed on the corresponding drive.</li> </ul>
<p><i>Press &lt;F1&gt; to resume, &lt;F2&gt; to SETUP</i></p> <p>This error message appears if an error occurs during the self-test before starting the operating system.</p>	<ul style="list-style-type: none"> <li>▶ Press the <b>F1</b> function key to start the operating system.</li> <li>▶ Press the function key <b>F2</b> to access the <i>BIOS Setup</i>.</li> </ul>
<p><i>Previous boot incomplete - Default configuration used</i> Default values have been set for certain settings because of an error which occurred in the previous system boot. Check the settings in the <i>BIOS Setup</i>.</p>	<ul style="list-style-type: none"> <li>▶ Press the <b>F1</b> function key when prompted to do so.</li> </ul>
<i>Real time clock error</i>	<ul style="list-style-type: none"> <li>▶ Contact your sales outlet or our customer service center.</li> </ul>
<i>mmmK Shadow RAM failed at offset: xxxx Failing Bits: zzzz</i>	<ul style="list-style-type: none"> <li>▶ Contact your sales outlet or our customer service center.</li> </ul>
<i>System battery is dead - Replace and run SETUP</i>	<ul style="list-style-type: none"> <li>▶ Contact your sales outlet or our customer service center.</li> </ul>
<i>System cache error - Cache disabled</i>	<ul style="list-style-type: none"> <li>▶ Contact your sales outlet or our customer service center.</li> </ul>
<i>System timer error</i>	<ul style="list-style-type: none"> <li>▶ Contact your sales outlet or our customer service center.</li> </ul>

# Technical data

## Notebook

<b>General</b>	
Processor	7. Generation Intel® Core™ with ULT processors Intel® Core™ i7-7600U processor (4 MB cache, up to 3.9 GHz) Intel® Core™ i7-7500U processor (4 MB cache, up to 3.5 GHz) Intel® Core™ i5-7300U processor (3 MB cache, up to 3.5 GHz) Intel® Core™ i5-7200U processor (3 MB cache, up to 3.1 GHz) Intel® Core™ i3-7100U processor (3 MB cache, up to 2.4 GHz) Optional Intel® Core™ vPro™ processor
Main memory (SO DIMM)	Maximum 16 GB DDR4 1 slot for 4, 8 or 16 GB modules
<b>Electrical data</b>	
Safety regulations complied with	CE
Protection class	III
Maximum power consumption (with the notebook switched on and the battery charging):	80 W (without port replicator) / 90 W (with USB Type-C port replicator)
<b>LCD screen</b>	
Size	31.75 cm / 12.5" TFT FHD or HD (configuration dependent)
Resolution	HD: 1366 x 768 pixels FHD: 1920 x 1080 pixels 16M colors
Pixel class	II
Brightness control	11 levels
Technology	Wide-View High-Bright Display with LED background lighting
Digitizer and glass panel	<ul style="list-style-type: none"> <li>Dual Digitizer / Touch and Pen support</li> <li>Hardened glass</li> </ul>
Webcam	HD (720p) with status indicator and two microphones
<b>Display adapter</b>	
Chip	Intel® HD Graphics 620
Maximum resolution of external monitor:	HDMI: 4096 x 2160 pixels

<b>Dimensions</b>	
Width x Depth x Height	from 299 x 209 x 18,8 mm / 11.77 inch x 8.23 inch x 0.74 inch
Weight depending on configuration	from 1.29 kg / 2.84 lbs
<b>Input devices</b>	
Keyboard	high-quality, splashproof and antimicrobial keyboard with 84 keys
Touchpad	Touchpad cursor control pad with right and left command button, supports: Capacitive Touch, external USB keyboard, Wacom AES stylus and mouse  Buttons: Volume up + Volume down, Windows, power switch.
Tablet buttons	1 Windows button, 2 volume buttons
Stylus	2 stylus buttons
<b>Slots</b>	
Storage card slot	1 x SD Card
SmartCard slot	1 x
SIM card slot	1 x
<b>Ports</b>	
HDMI port	1 x
VGA port	1 x
LAN port	Socket, RJ45
USB (Universal Serial Bus)	3 x USB (1 x USB 3.0, 1 x USB Type-C (for USB Type-C port replicator), 1 x USB 3.0 with charging function (Anytime USB charge))
Security Lock	1 x
<b>Ambient conditions</b>	
Environment class DIN IEC 721	7K1
Mechanism class DIN IEC 721	7M2
Operating temperature	5 °C .... 35 °C / 41°F .... 95 °F
Transit temperature (2K2)	-15 °C .... 60 °C / 5°F .... 140 °F

## WLAN specifications

Type of network	Intel® Dual Band Wireless-AC 8260 11a/b/g/n/11ac), Wi-Fi based*
Transfer rate	(Automatic switching) IEEE802.11 a and g: 54 Mbps max. data rate; IEEE802.11n: 300 Mbps max. data rate, IEEE802.11ac: 867 Mbps max. data rate

## Technical data

Active frequency	<ul style="list-style-type: none"> <li>• 802.11n: 2.4 GHz or 5 GHz</li> <li>• 802.11b/g: 2400~2473 MHz</li> <li>• 802.11a: 4900~5850 MHz</li> <li>• 802.11a: 2.4 GHz / 5 GHz</li> </ul>
Typical operating distances**	<ul style="list-style-type: none"> <li>• 802.11a: 40 ft. (12 m) @ 54 Mbps; 300 ft. (91 m) @ 6 Mbps</li> <li>• 802.11ac: 40 ft. (12 m) @ 54 Mbps; 300 ft. (91 m) @ 6 Mbps</li> <li>• 802.11b: 100 ft. (30 m) @ 11 Mbps; 300 ft. (91 m) @ 1 Mbps</li> <li>• 802.11g: 100 ft. (30 m) @ 54 Mbps; 300 ft. (91 m) @ 1 Mbps</li> <li>• 802.11n: Estimated double the operating distance of 802.11g and 802.11a in their respective frequencies</li> </ul>
Number of channels	<ul style="list-style-type: none"> <li>• 802.11a: 8 independent channels</li> <li>• 802.11b/g: 11 channels, 3 non-overlapping channels</li> <li>• 802.11n: Channel bonding takes two of the non-overlapping 20MHz channels and combines it into one 40MHz channel. It is actually 12 non-overlapping channels with channel bonding and 24 without. Also it is 1 non-overlapping channel in 2.4GHz when channel bonding is used.</li> <li>• 802.11ac: 5 independent channels</li> </ul>
Security	<p>Encryption types: compatible with WEP, TKIP, AES***, WPA 1.0 and WPA 2.0</p> <p>Encryption key, lengths supported: 64 bits and 128 bits</p>
Maximum recommended number of computers to be connected over wireless LAN (during ad hoc connection)	10 units or less ****
<p>* "Wi-Fi based" indicates that the interconnectivity test of the organization which guarantees the interconnectivity of wireless LANs (Wi-Fi Alliance) was passed.</p> <p>** The operating distances given above increase or decrease depending on factors such as the number of walls, reflecting material or interference by external RF sources.</p> <p>*** Network key encryption (WEP) occurs with the number of bits given above, after deduction of the fixed length of 24 bits the user may however also set 40 or 104 bits.</p> <p>**** Depending on the particular practical application, the number of computers which can be networked is reduced if necessary.</p>	

## USB Type-C™ port replicator (optional)

<b>Electrical data</b>	
Safety regulations complied with	CE
Protection class	II
<b>Ports</b>	
Monitor port (analog)	15-pin
HDMI port	1 x
Display Port	1 x
Maximum resolution of an external monitor	VGA: 1920 x 1200 pixels Display Port: 2560 x 1600 pixels HDMI: 4096 x 2160 pixels
LAN port	RJ45
USB (Universal Serial Bus)	3 x USB 3.0, 2 x USB Type-C
Microphone port / Line In / Headphones port / Line Out	3.5 mm stereo mini jack
<b>Ambient conditions</b>	
Environment class DIN IEC 721	7K1
Mechanism class DIN IEC 721	7M2
Operating temperature	5 °C .... 35 °C / 41 °F .... 95 °F
Transit temperature	-15 °C .... 60 °C / 5 °F .... 140 °F

## Rechargeable battery



For information on the batteries used in your device, please see ["http://solutions.us.fujitsu.com/www/content/support/contact/index.php"](http://solutions.us.fujitsu.com/www/content/support/contact/index.php).

Rated voltage	14.4 V
Rated capacity	50 Wh
Rated power	3490 mAh



The operating time depends on the device configuration, the active applications and the energy saving settings.

## AC adapter for use with notebook and port replicator



Only connect the 90 W AC adapter to the USB Type-C™ port replicator.



The following technical data applies to the AC adapter included in the delivery scope of the notebook and the USB Type-C™ port replicator which is can be ordered as an option.

<b>Primary</b>	
Rated voltage	100 V to 240 V (automatic)
Rated frequency	50 Hz to 60 Hz (automatic)
Max. rated current	0.7 A to 1.2 A
<b>Secondary</b>	
Rated power	65 W / 90 W
Rated voltage	19 V
Max. rated current	3.42 A / 4.74 A



An additional AC adapter or AC cable can be ordered at any time.



# Manufacturer's notes

## Disposal and recycling

You can find information on this subject on your notebook or on our website ("[http://solutions.us.fujitsu.com/www/content/products/trade-in\\_program/](http://solutions.us.fujitsu.com/www/content/products/trade-in_program/)").

## Recycling your battery

Over time, the batteries that run your mobile computer will begin to hold a charge for a shorter amount of time; this is a natural occurrence for all batteries. When this occurs, you may want to replace the battery with a brand new one\*. If you replace it, it is important that you dispose of the old battery properly because batteries contain materials that could cause environmental damage if disposed of improperly.

Fujitsu is very concerned with environmental protection, and has enlisted the services of the Rechargeable Battery Recycling Corporation (RBRC)\*\*, a nonprofit public service organization dedicated to protecting our environment by recycling old batteries at no cost to you.

RBRC has drop-off points at many convenient locations throughout the United States and Canada. To find the location nearest you, go to "[www.RBRC.org](http://www.RBRC.org)" or call 1-800-822-8837.

If there are no convenient RBRC locations near you, you can also go to the EIA Consumer Education Initiative website "<http://EIAE.org/>" and search for a convenient disposal location.



Remember – protecting the environment is a cooperative effort, and you should make every effort to protect it for current and future generations.

\* To order a new battery for your Fujitsu mobile computer, go to the Fujitsu shopping site at "[www.shopfujitsu.com](http://www.shopfujitsu.com)" in the US or "[www.fujitsu.ca/products/notebooks](http://www.fujitsu.ca/products/notebooks)" in Canada.

\*\* RBRC is an independent third party to which Fujitsu provides funding for battery recycling; RBRC is in no way affiliated with Fujitsu.

## DOC (Industry CANADA) Notices

### Radios and Television

This Class B digital apparatus meets all requirements of Canadian Interference-Causing Equipment Regulations.

CET appareil numérique de la class B respecte toutes les exigence du Règlement sur le matériel brouilleur du Canada.

## UL Notice

### IMPORTANT SAFETY INSTRUCTIONS

This unit requires an AC adapter to operate. Only use UL Listed I.T.E. adapters with an output rating of 19 VDC, with a minimum current of 3.42A (65W). The correct output rating is indicated on the AC adapter label. Refer to the illustration below for the correct AC adapter output polarity:



When using your notebook equipment, basic safety precautions should always be followed to reduce the risk of fire, electric shock and injury to persons, including the following:

- Do not use this product near water for example, near a bathtub, washbowl, kitchen sink or laundry tub, in a wet basement or near a swimming pool.
- Use only the power cord and batteries indicated in this manual. Do not dispose of batteries in a fire. They may explode. Check with local codes for possible special disposal instructions.

### SAVE THESE INSTRUCTIONS

#### For Authorized Repair Technicians Only



#### CAUTION:

For continued protection against risk of fire, replace only with the same type and rating fuse.



#### WARNING:

Danger of explosion if Lithium (CMOS) battery is incorrectly replaced. Replace only with the same or equivalent type recommended by the manufacturer.

Dispose of used batteries according to the manufacturer's instruction.

## ENERGY STAR Compliance



Your Fujitsu system is an ENERGY STAR qualified mobile PC. By choosing a computer with the latest energy-saving technology, you're helping to preserve our environment for future generations. ENERGY STAR is a joint program of the U.S. Environmental Protection Agency, U.S. Department of Energy, Natural Resources Canada, and other governments around the world helping us save money while protecting the environment through energy efficient products and practices. With energy costs and global warming top-of-mind for consumers, Fujitsu is committed to offering solutions that help consumers conserve energy and improve the quality of our environment.

### Sleep mode:

You will notice that your computer is initially set so that the display turns off after **10 minutes** of user inactivity, and the computer goes into Sleep mode after **20 minutes** of user inactivity. When going into Sleep mode, the computer also reduces the speed of any active Ethernet network links. To "wake" the computer from Sleep mode, press the Suspend/Resume Button.

### Energy saving benefits:

Fujitsu ENERGY STAR qualified mobile PCs use about half as much electricity as standard equipment – saving half in utility costs. But more than that, ENERGY STAR also makes a difference for the environment. Did you know that the average house can be responsible for twice the greenhouse gas emissions as the average car? That's because every time you flip on a light switch, run your dishwasher, or turn on your PC, you use energy, which means more greenhouse gas emissions from power plants. So the more energy we can save through energy efficiency, the more we help to reduce greenhouse gases and the risks of global warming.

To learn more about the important ENERGY STAR program, visit: "[www.energystar.gov](http://www.energystar.gov)".

To read about how Fujitsu is supporting Sustainable Management along with several other environmental activities, visit the Fujitsu Corporate Citizenship page at: "<http://www.computers.us.fujitsu.com/www/content/aboutus/environmental/environment.php>".

## Declarations of conformity

This device complies with Part 15 of the FCC Rules. Operations are subject to the following two conditions: (1) This device may not cause harmful interference, (2) this device must accept any interference received, including interference that may cause undesired operation.

# FCC Regulatory Information



Please note the following regulatory information related to the wireless LAN device.

You are cautioned that changes or modifications not expressly approved by the part responsible for compliance could void the user's authority to operate the equipment. FCC RF Radiation Exposure Statement:

1. This transmitter must not be co-located or operating in conjunction with any other antenna or transmitter.
2. This equipment complies with FCC RF radiation exposure limits set forth for an uncontrolled environment.

This equipment should be installed and operated with a minimum distance of 20 centimeters between the radiator and your body. For body worn operation, this tablet has been tested and meets FCC RF exposure guidelines when used with an accessory that contains no metal and that positions the handset a minimum of 0 mm from the body.

Use of other accessories may not ensure compliance with FCC RF exposure guidelines. This device complies with Part 15 of the FCC Rules. Operation is subject to the following two conditions:

1. this device may not cause harmful interference and
2. this device must accept any interference received, including interference that may cause undesired operation of the device.

The highest FCC SAR values: 1.163 W/Kg (Body)

## Regulatory Notes and Statements

### Wireless LAN, Health and Authorization for use

Radio frequency electromagnetic energy is emitted from Wireless LAN devices. The energy levels of these emissions, however, are far much less than the electromagnetic energy emissions from wireless devices such as mobile phones. Wireless LAN devices are safe for use by consumers because they operate within the guidelines found in radio frequency safety standards and recommendations. The use of Wireless LAN devices may be restricted in some situations or environments, such as:

- On board an airplane, or
- In an explosive environment, or
- In situations where the interference risk to other devices or services is perceived or identified as harmful.

In cases in which the policy regarding use of Wireless LAN devices in specific environments is not clear (e.g., airports, hospitals, chemical/oil/gas industrial plants, private buildings), obtain authorization to use these devices prior to operating the equipment.

## Regulatory Information/Disclaimers

Installation and use of this Wireless LAN device must be in strict accordance with the instructions included in the user documentation provided with the product. Any changes or modifications made to this device that are not expressly approved by the manufacturer may void the user's authority to operate the equipment. The manufacturer is not responsible for any radio or television interference caused by unauthorized modification of this device, or the substitution or attachment of connecting cables and equipment other than those specified by the manufacturer. It is the responsibility of the user to correct any interference caused by such unauthorized modification, substitution or attachment. The manufacturer and its authorized resellers or distributors will assume no liability for any damage or violation of government regulations arising from failure to comply with these guidelines.

This device must not be co-located or operated in conjunction with any other antenna or transmitter.

**For IEEE 802.11a Wireless LAN:** For operation within 5.15~5.25 GHz frequency range, it is restricted to indoor environments, and the antenna of this device must be integral.

## Federal Communications Commission statement:

This device complies with Part 15 of FCC Rules.

Operation is subject to the following two conditions: (1) This device may not cause interference, and, (2) This device must accept any interference, including interference that may cause undesired operation of this device.

## FCC Interference Statement

This equipment has been tested and found to comply with the limits for a Class B digital device, pursuant to Part 15 of the FCC Rules. These limits are designed to provide reasonable protection against harmful interference in a residential installation. This equipment generates, uses, and can radiate radio frequency energy. If not installed and used in accordance with the instructions, it may cause harmful interference to radio communications. However, there is no guarantee that interference will not occur in a particular installation.

If this equipment does cause harmful interference to radio or television reception, which can be determined by turning the equipment off and on, the user is encouraged to try and correct the interference by one or more of the following measures:

1. Reorient or relocate the receiving antenna.
2. Increase the distance between the equipment and the receiver.
3. Connect the equipment to an outlet on a circuit different from the one the receiver is connected to.
4. Consult the dealer or an experienced radio/TV technician for help.

## FCC Radio Frequency Exposure statement

The available scientific evidence does not show that any health problems are associated with using low power wireless devices. There is no proof, however, that these low power wireless devices are absolutely safe. Low power wireless devices emit low levels of radio frequency energy (RF) in the microwave range while being used. Whereas high levels of RF can produce health effects (by heating tissue), exposure to low-level RF that does not produce heating effects causes no known adverse health effects. Many studies of low-level RF exposure have not found any biological effects. Some studies have suggested that some biological effects might occur, but such findings have not been confirmed by additional research.

The wireless LAN radio device has been tested and found to comply with FCC radiation exposure limits set forth for an uncontrolled equipment and meets the FCC radio frequency (RF) Exposure Guidelines in Supplement C to OET65.

The exposure standard for wireless devices employs a unit of measurement known as the Specific Absorption Rate, or SAR. The SAR limit set by the FCC is 1.6W/kg.

This device is compliant with SAR for general population /uncontrolled exposure limits in ANSI/IEEE C95.1-1992, and had been tested in accordance with the measurement methods and procedures specified in OET Bulletin 65 Supplement C. This device has been tested, and meets the FCC, IC RF exposure guidelines when tested with the device operating conditions.

## Export restrictions

This product or software contains encryption code which may not be exported or transferred from the US or Canada without an approved US Department of Commerce export license. This device complies with Part 15 of FCC Rules., as well as ICES 003 B / NMB 003 B. Operation is subject to the following two conditions: (1) this device may not cause harmful interference, and (2) this device must accept any interference received, including interference that may cause undesirable operation. Modifications not expressly authorized by Fujitsu America, Inc. may invalidate the user's right to operate this equipment.

The highest FCC SAR value is 1.163 W/Kg (Body SAR).

## Restrictions concernant l'exportation

Ce produit ou logiciel contient du code de chiffrement qui ne peut être exporté ou transféré du Canada ou des États-Unis sans un permis d'exportation du département du commerce des États-Unis. Ce matériel est conforme à la Partie 15 des règlements de la FCC, ainsi qu'à la norme ICES 003 B/NMB 003 B. Son fonctionnement est soumis aux deux conditions suivantes : (1) cet appareil ne doit pas causer d'interférence nuisible; (2) cet appareil doit accepter toutes les interférences reçues, y compris celles pouvant causer un mauvais fonctionnement de l'appareil. Toute modification n'ayant pas été expressément approuvée par la société Fujitsu America Incorporated peut annuler le droit de l'utilisateur de se servir du matériel.

La valeur FCC SAR la plus élevée est de 1,163 W / Kg (SAR Body).

# Canada, Industry Canada (IC)

This Class B digital apparatus complies with Canadian ICES-003 and RSS-247. This device complies with Industry Canada license-exempt RSS standard(s).

Operation is subject to the following two conditions:

1. This device may not cause interference, and
2. This device must accept any interference, including interference that may cause undesired operation of the device.

## **IC RF Radiation Exposure Statement:**

For body worn operation, this device has been tested and meets RF exposure guidelines when used with an accessory that contains no metal and that positions the device a minimum of 0 mm from the body. Use of other accessories may not ensure compliance with RF exposure guidelines.

Cet appareil numérique de classe B est conforme à la norme NMB-003 et RSS-247. Le présent appareil est conforme aux CNR d'Industrie Canada applicables aux appareils radio exempts de licence.

L'exploitation est autorisée aux deux conditions suivantes:

1. l'appareil ne doit pas produire de brouillage, et
2. l'utilisateur de l'appareil doit accepter tout brouillage radioélectrique subi, même si le brouillage est susceptible d'en compromettre le fonctionnement.

## **Déclaration de l'exposition aux radiations RF:**

Pour le fonctionnement du corps, ce téléphone a été testé et répond aux directives d'exposition RF lorsqu'il est utilisé avec un accessoire qui ne contient pas de métal et qui place le combiné d'un minimum de 0 mm du corps. Utilisation d'autres accessoires peut ne pas assurer le respect des directives d'exposition RF.

## Canadian Notice

The device for the 5150 - 5250 MHz band is only for indoor usage to reduce the potential for harmful interference to co-channel mobile satellite systems.

The maximum antenna gain of 6 dBi permitted (for devices in the 5250 - 5350 MHz, 5470 - 5725 MHz and 5725 - 5825 MHz bands) to comply with the e.i.r.p. limit as stated in RSS-247.

In addition, users are cautioned to take note that high power radars are allocated as primary users (meaning they have priority) of 5250 - 5350 MHz and 5650 - 5850 MHz and these radars could cause interference and/or damage to LE-LAN devices.



## Avis pour le Canada

Le matériel destiné à un usage sur la bande 5 150 - 5 250 MHz doit être utilisé uniquement à l'intérieur afin de réduire les risques de brouillage nuisible causé aux systèmes mobiles par satellite fonctionnant sur un même canal.

Un gain d'antenne de 6 dBi est autorisé (pour le matériel utilisant les bandes 5 250 - 5 350 MHz, 5 470 - 5 725 MHz et 5 725 - 5 825 MHz), conformément à la limite p.i.r.e. maximale permise afférent aux périphériques RSS-247.

En outre, les utilisateurs doivent prendre garde au fait que les radars de grande puissance sont considérés comme des utilisateurs principaux (ce qui signifie qu'ils sont prioritaires) des bandes 5 250 - 5 350 MHz et 5 650 - 5 850 MHz et qu'ils pourraient causer des interférences et/ou des dommages aux appareils de réseau exempts de licence.

# Appendix

## Before Using the Optional Wireless LAN

This manual describes the procedures required to properly set up and configure the optional integrated Wireless LAN Mini-PCI device (referred to as "WLAN device" in the rest of the manual). Before using the WLAN device, read this manual carefully to ensure its correct operation. Keep this manual in a safe place for future reference.

## Wireless LAN Devices Covered by this Document

This document is applicable to systems containing the following device:

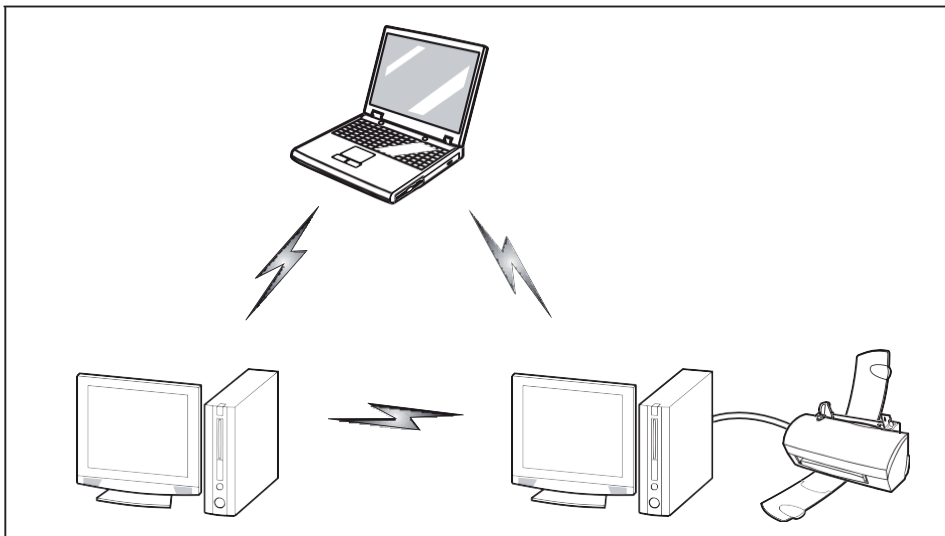
### Characteristics of the WLAN Device

- The WLAN devices are PCI Express Mini cards attached to the main board of the mobile computer.
- The WLAN devices operate in license-free RF bands, eliminating the need to procure an FCC operating license. The WLAN operates in the 2.4GHz Industrial, Scientific, and Medical (ISM) RF band and the lower, middle, and upper bands of the 5GHz Unlicensed National Information Infrastructure (UNII) bands.
- The WLAN device is Wi-Fi certified and operates (as applicable) at the maximum data rate of 867 Mbps in IEEE802.11ac mode, 450 Mbps in IEEE802.11n mode (300 Mbps in this configuration); 54 Mbps in IEEE802.11g mode; and 11 Mbps in IEEE802.11b mode.
- The WLAN devices support the following encryption methods - WEP, TKIP, CKIP, and AES encryption.
- The Wireless LAN devices are compliant with the following standards: WPA, WPA2, CCX1.0, CCX2.0, CCX3.0, and CCX4.0.

## Wireless LAN Modes Using this Device

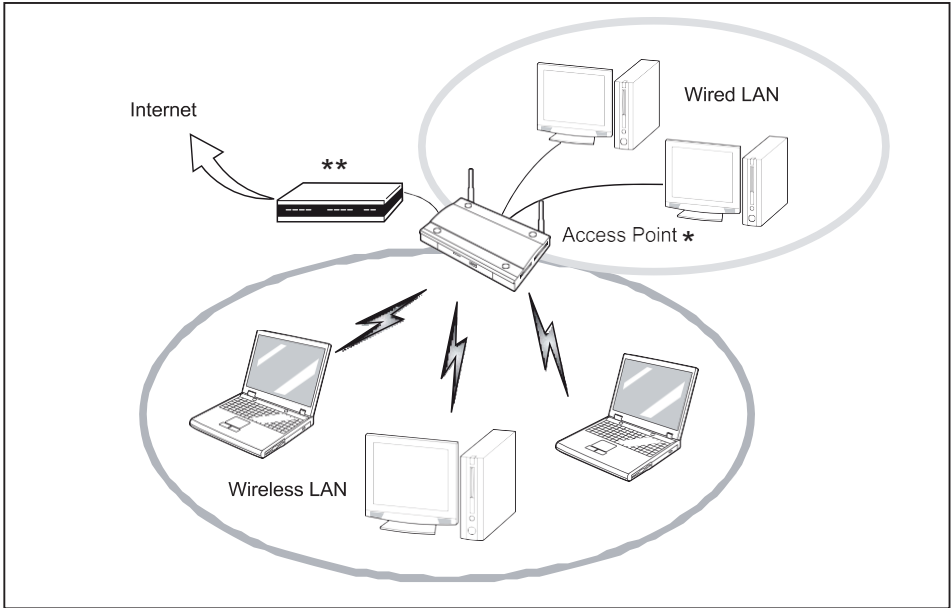
### Ad Hoc Mode

"Ad Hoc Mode" refers to a wireless network architecture where wireless network connectivity between multiple computers is established without a central wireless network device, typically known as Access Point(s). Connectivity is accomplished using only client devices in a peer-to-peer fashion. That is why Ad Hoc networks are also known as peer-to-peer networks. Ad Hoc networks are an easy and inexpensive method for establishing network connectivity between multiple computers. Ad Hoc mode requires that the SSID, network authentication, and encryption key settings are identically configured on all computers in the Ad Hoc network.



### **Access Point (Infrastructure) Mode**

Infrastructure mode refers to a wireless network architecture in which devices communicate with wireless or wired network devices by communicating through an Access Point. In infrastructure mode, wireless devices can communicate with each other or with a wired network. Corporate wireless networks operate in infrastructure mode because they require access to the WLAN in order to access services, devices, and computers (e.g., file servers, printers, databases).



\* = An optional hub for a wired LAN may be required depending upon the type of access point used.

\*\* = ADSL modem, cable modem, or similar

### How to Handle This Device

The WLAN device is an optional device that may come pre-installed in your mobile computer. Under normal circumstances, it should not be necessary for you to remove or re-install it. The Operating System that your mobile computer comes with has been pre-configured to support the WLAN device.

- [Integrated Intel Centrino wireless LAN devices support IEEE802.11a, IEEE802.11b, IEEE802.11g, and IEEE802.11n.](#)
- The WLAN device operates in the 2.4 GHz ISM band and the 5 GHz lower, middle, and upper UNII bands.
- Microwave ovens may interfere with the operation of WLAN devices since they operate in the same 2.4 GHz frequency range as IEEE802.11b/g/n devices. Interference by microwaves does not occur with IEEE802.11a radio which operates in the 5 GHz RF band.
- Wireless devices that transmit in the 2.4 GHz range may interfere with operation of WLAN devices in IEEE802.11b/g/n modes. Symptoms of interference include reduced throughput, intermittent disconnects, and many frame errors. It is HIGHLY recommended that these interfering devices be powered off to ensure proper operation of the WLAN device.

## Deactivating/Disconnecting the WLAN Device

Disconnecting the WLAN device may be desired in certain circumstances (to extend battery life) or where certain environments require it (i.e. hospitals, clinics, airplanes, etc.). The WLAN device can be disconnected in Windows using the WLAN icon in the system tray (Note that disconnecting via the icon in the system tray does not turn off the radio; it continues to transmit and receive even though it's not connected.)

- ▶ Press the key combination **[Fn] + [F5]** to deactivate the Wireless Device
- 4 The wireless component indicator will go off when the wireless components are switched off.

## Configuring the Wireless LAN

The optional WLAN device can be configured to establish wireless network connectivity using the software that is built into Windows. Support for most industry standard security solutions is contained in this software.

Pre-defined parameters will be required for this procedure. Please consult with your network administrator for these parameters:

## Configuring the WLAN Using Windows

The WLAN device can be configured to establish wireless network connectivity using the software that is built into Windows Vista. Support for most industry standard security solutions is contained in this software.

Pre-defined parameters are required for this procedure. Consult your network administrator for these parameters:

1. From the *Modern Start* screen, press **[Windows] + [X]**, then select *Control Panel* from the menu.
2. If the *Control Panel* is not in *Classic View*, select *Classic View* from the left panel. Double-click the *Network and Sharing Center* icon.
3. Select *Setup a new connection or network*.
4. Depending upon what type of connection you would like to make, make a selection. For an infrastructure network, select *Manually connect to a wireless network*.
5. Enter the required information. It may be necessary to consult with your network administrator for some of the information.
6. In the event you require assistance, go to the *Network and Sharing Center* window (*Control Panel > Network and Sharing Center*), and type in relevant keywords in the *Search* box.

## Connection to the network

After you have configured your computer, you can connect to an active network by performing the following steps:

1. Click on the *WLAN* icon in the system tray.
2. Select *Connect to a network*.
3. Select a network from the list that appears, and click the *Connect* button.

## Troubleshooting the WLAN

Causes and countermeasures for troubles you may encounter while using your wireless LAN are described in the following table.

Problem	Possible Cause	Possible Solution
Unavailable network connection	Incorrect network name (SSID) or network key	<p><b>Ad hoc connection:</b> verify that the network names (SSID's) and network keys (WEP) of all computers to be connected have been configured correctly. SSID's and WEP key values must be identical on each machine.</p> <p><b>Access Point (Infrastructure) connection:</b> set the network name (SSID) and network key to the same values as those of the access point.</p> <p>Set the Network Authentication value identically to that of the Access Point. Please consult your network administrator for this value, if necessary.</p>
	Weak received signal strength and/or link quality	<p><b>Ad hoc connection:</b> Retry connection after shortening the distance to the destination computer or removing any obstacles for better sight.</p> <p><b>Access Point (Infrastructure) connection:</b> Retry connection after shortening the distance to the access point or removing any obstacles for better sight.</p>

Problem	Possible Cause	Possible Solution
Unavailable network connection (continued)	The WLAN device was deactivated or is disabled	Check if the wireless switch is turned On. Go to <i>Start &gt; Control Panel</i> , and doubleclick on <i>Windows Mobility Center</i> . If the wireless network is off, click the <i>Turn wireless on</i> button.
	The computer to be connected is turned off	Check if the computer to be connected is turned ON.
	Incorrectly configured network settings	Recheck the configuration of your network settings.
	RF interference from Access Points or other wireless networks	The use of identical or overlapping RF channels can cause interference with the operation of the WLAN device. Change the channel of your Access Point to a channel that does not overlap with the interfering device.
	Wireless network authentication has failed	Re-check your Network Authentication, Encryption, and Security settings. Incorrectly configured security settings such as an incorrectly typed WEP key, a mis-configured LEAP username, or an incorrectly chosen authentication method will cause the LAN device to associate but not authenticate to the wireless network.
	Incorrect IP address configuration	This only applies to networks using static IP addresses. Please contact your network administrator for the correct settings.

## Using the Bluetooth Device

Bluetooth is integrated into the Wireless LAN module. The Bluetooth capabilities are Bluetooth Basic, EDR and Bluetooth Low Energy (BT v4.0) operational modes.

### What is Bluetooth

Bluetooth technology is designed as a short-range wireless link between mobile devices, such as laptop computers, phones, printers, and cameras. Bluetooth technology is used to create Personal Area Networks (PANs) between devices in short-range of each other.



Proceed as follows to individually enable or disable wireless LAN or Bluetooth devices:

1. Switch on the WLAN/Bluetooth via the key combination **[Fn] + [F5]**.
2. In the screen *Modern Start*, select the option *Charms > Settings > Change PC Settings > Wireless*.
3. Under *Wireless > Wireless Devices*, click on the switch *Bluetooth* to switch on Bluetooth.

### Where to Find Information About Bluetooth

For additional information about Bluetooth Technology, visit the Bluetooth Web site at: "[www.bluetooth.com](http://www.bluetooth.com)".

### FCC Radiation Exposure Statement

This system complies with the FCC limit values for radio frequency radiation in an uncontrolled environment. The Bluetooth antenna is located at the top edge of the LCD screen and is exempt from the criteria for minimum distance because of its low power consumption.

The transmitter used in this system must not be operated together with other antennas or transmitters.

### Canadian Notice

To prevent radio interference to licensed services, this system is designed for use in indoor spaces / in buildings and not directly at window openings, to allow a maximum shielding.

### Warranty

Users are not authorized to modify this product. Any modifications invalidate the warranty.

This equipment may not be modified, altered, or changed in any way without signed written permission from Fujitsu. Unauthorized modification will void the equipment authorization from the FCC and Industry Canada and the warranty.



# Image Backup and Recovery Procedures

## Windows 10 Procedures

It is very important that you create your Recovery Drive before beginning to use your system.

It is also important that you create a backup of the content of the *C:\Drivers* folder on your system to writable media or an external drive. System-specific software drivers are also available for download through the Fujitsu support site.

**Note:** Most of the information below comes from the Microsoft® page "<http://windows.microsoft.com/en-us/windows-10/windows-10-recovery-options>". Please refer to it for more details.

### Creating a recovery drive

A recovery drive can help you troubleshoot and fix problems with your PC, even if it won't start. To create one, all you need is a USB flash drive. Windows will inform you of the size the USB flash drive needed to hold the required data.

1. From the taskbar, search for *Create a recovery drive* and then select it. You may be asked to enter an administrator password or confirm your selection.
2. When the tool opens, make sure *Backup system files to the recovery drive* is selected and then select *Next*.
3. Connect a USB drive to your PC, select it, and then select *Next - Create*. A large number of files need to be copied to the recovery drive, so this could take some time.
4. When it's done, select *Finish*.

Note:

If you chose not to back up the system files when you created your recovery drive on Windows 10, you won't be able to use it to reinstall Windows.

### Recovery options in Windows 10

If your PC isn't running as quickly or reliably as it used to, try one of these recovery options. The following table can help you decide which one to use.

Problem	Try this
Your PC isn't working well and you recently installed an app, driver, or update.	Restore from a system restore point
Your PC isn't working well and it's been a while since you installed anything new.	Reset your PC
Your PC won't start and you've created a recovery drive.	Use a recovery drive to reinstall Windows
Your PC won't start and you haven't created a recovery drive.	Use installation media to reinstall Windows

#### Restore from a system restore point

This option takes your PC back to an earlier point in time, called a system restore point. Restore points are generated when you install a new app, driver, or Windows update, and when you

create a restore point manually. Restoring won't affect your personal files, but it will remove apps, drivers, and updates installed after the restore point was made.

1. Right-click (or press and hold) the Start button, and then select *Control Panel*.
2. Search *Control Panel* for *Recovery*.
3. Select *Recovery - Open System Restore - Next*.
4. Choose the restore point related to the problematic app, driver, or update, and then select *Next - Finish*.

Note: If you don't see any restore points, it could be because the system protection isn't turned on. To check, go to the *Control Panel*, search for *Recovery*, and then select *Recovery - Configure System Restore - Configure* and make sure that Turn On System Protection is selected.

### Reset your PC

Option	What it does
Keep my files	This reinstalls Windows 10, but keeps your personal files and any apps that came with your PC. It removes: <ul style="list-style-type: none"> <li>• Changes you made to settings</li> <li>• Apps and drivers you installed</li> </ul>
Remove everything	This reinstalls Windows 10 and any apps that came with your PC. It removes: <ul style="list-style-type: none"> <li>• Personal files</li> <li>• Changes you made to settings</li> <li>• Apps and drivers you installed</li> </ul> If you're planning to donate, recycle, or sell your PC, use this option and choose to fully clean the drive. This might take an hour or two, but it makes it harder for other people to recover files you've removed.

### Use a recovery drive to reinstall Windows

Note: This process utilizes the USB Recovery Drive that you created in the previous section "Create a Recovery Drive".

1. Connect the recovery drive and turn on your PC.
2. On the *Choose an option* screen, select *Troubleshoot - Reset this PC*, and then choose the reset option that's best for you.

If that doesn't fix the problem, try *Troubleshoot - Recover* from a drive. This will remove your personal files, apps and drivers you installed, and changes you made to settings. If you repartitioned the drive Windows is installed on, note that this will restore the drive's default partitions.

### Use installation media to reinstall Windows

If you have installation media, like a Recovery DVD that you purchased from Fujitsu, you can use it to reinstall Windows. You will need to install additional drivers and applications after reinstalling Windows.

To reinstall Windows, follow the steps below:

1. Power on your system. When the Fujitsu logo appears on the screen, press the **F12** key.
2. Insert the bootable disc in your DVD drive.
3. Highlight the CD/DVD option from the Boot Menu and press **Enter**.

4. Follow the on-screen instructions to restore the image.
  - Select the language.
  - At the Windows Setup dialog window, enter your OS, language and other preferences and click *Next* to continue.
  - Click *Install now* to proceed with reinstalling Windows.
  - At License terms, check on *I accept the license terms* and click *Next*.
  - At *Which type of installation do you want*, click on *Custom: Install Windows only (advanced)*.
  - Delete all partitions on the drive and click *Next*. Installation of Windows will start. This will take some time so please wait until the installation is finished and the system restarts.
5. When the system restarts, perform all set-up steps to arrive at the Desktop.
6. Connect to the Internet.
7. Use the *Backup of the contents of the C:\Drivers* folder to install needed drivers and applications to your system. If it is not available, download the software from the Fujitsu Support Site, as described below in the "Auto Installation support for the software downloaded from support website" section below.

#### Installation of essential access software

1. Insert the bootable disc in your DVD drive.
2. Open the *Drivers* folder in the disc, and follow the steps in *readme.txt*. If there is not a *Drivers* folder in the bootable disc, the computer does not need the essential access software. The recovery image already has the essential access software installed.
3. You can now connect to the internet and download FSDM (Fujitsu Software Download Manager) from the support site and download all the software applicable to the model and OS using FSDM if they are not downloaded yet.

#### Auto Installation support for the software downloaded from support website

1. Download FSDM (Fujitsu Software Download Manager) from the support site and download all the drivers applicable to the model and OS using FSDM if they are not downloaded yet.
2. When the software packages are downloaded from the web, it is important to download the Auto Installer Software package and the model/language-specific Readme file if you prefer to auto install the software.
3. It is important to have the extracted Auto Installer software package folder and Readme file in the same location as the other software folders. Otherwise auto-installation of the software will not be supported.
4. Inside the Auto Installer software package, launch *FjAutoinstall.exe* as administrator.
5. Click *Yes* on the *User Account Control* dialog box. This will take some time to process the software packages. A message will be displayed during this time stating *Please wait while the content is being processed*.
6. If the EULA is displayed for Fujitsu Software Auto Installer, accept the EULA, otherwise continue.
7. The Fujitsu Software Auto Installer user interface will be launched providing the ability to auto install the software downloaded from the support site.
8. It is recommended that you install all the software in the listed order. You can *Select All*, to install the software in the order listed.
9. Click the *Install* button to start the installation.
10. After installing all the selected drivers, the Installation Results window is displayed. Click *OK*.

11. *You must restart the system for the settings to take effect. Do you wish to reboot now?* message appears. Select *Yes*.
12. The system will now reboot.

## Downloading driver updates

To ensure that you always have the most current driver updates related to your system, you should occasionally access the Fujitsu Software Download Manager (FSDM) utility. The FSDM utility is available from the Fujitsu Support site. FSDM will allow you to view and download the most current drivers, utilities and applications to determine whether you have the latest versions. To download the FSDM utility, go to the support site: "<http://support.fujitsupc.com/CS/Portal/support.do?srch=DOWNLOADS>".

# Index

- A**
- AC adapter
    - connecting 19
    - Set up 19
  - Acoustic warnings 96
  - Activate
    - keyboard backlight 44
  - Alt+Tab 44
  - Anti-theft protection 65
  - Audio connections 76
- B**
- Back tab 44
  - Backspace 40
  - Backspace key 40
  - Battery 46
    - battery charge 50
    - Caring for and maintaining 46
    - charge level 46
    - Charging 46
    - Discharges too quickly 95
    - see Rechargeable battery 46
    - Self-discharge 46
    - Service life 46
    - Storing 46
  - battery charge meter 46
  - Battery indicator 24
  - Battery status indicator
    - see battery indicator 24
  - Battery symbol
    - see battery indicator 24
  - BIOS Setup Utility
    - , protecting with password 66
    - calling 87
    - exiting 89
    - operation 88
    - Settings 87
  - Blank LCD screen 91
  - Bluetooth
    - switching module off 55, 115
    - switching module on 55, 115
  - Bluetooth, Safety notes 14
  - Boards 77
  - Bonus Apps 21
- C**
- Caps Lock 41
    - indicator 25
  - Caps Lock key 41
  - Charge capacity, battery 46
  - Choose a location 19
  - Components
    - Installing/Removing 77
  - Configuration, BIOS Setup Utility 87
  - Configuring hardware 87
  - Configuring system 87
  - Connecting audio devices 76
  - Connecting headphones 76
  - Ctrl+Alt+Del 44
  - Cursor control 41
  - Cursor keys 41
- D**
- Date not correct 91
  - Deactivate
    - keyboard backlight 44
  - Declarations of conformity 106
  - Display orientation
    - select 29
  - DOC (INDUSTRY CANADA) NOTICES 103
  - Drive
    - indicator 24
- E**
- Ending
    - energy saving mode 94
  - Energy
    - Energy consumption 50
    - Energy saving 14
    - Energy saving functions 50
  - Energy saving functions 44
  - Enter 40
  - Enter key 40
  - Error messages on the screen 96
  - Errors
    - Acoustic warnings 96
    - Screen messages 96
  - ESD 77
  - Ethernet LAN 57
- F**
- F Lock
    - indicator 24
  - Fault
    - Elimination 90
  - Fingerprint sensor 64
    - configuring 64
  - First-time setup 18
  - Fn key 41

Fn+F1 43  
Fn+F10 44  
Fn+F2 44  
Fn+F3 43  
Fn+F4 43  
Fn+F5 43  
Fn+F6 43  
Fn+F7 44  
Fn+F8 43  
Fn+F9 43–44

**G**  
Getting started 18

**H**  
HDMI port 71

**I**  
Important notes 13  
In case of service 77  
Incorrect time 91  
Indicator  
    Caps Lock 25  
    drive 24  
    F Lock 24  
    Num Lock 25  
    Scroll Lock 25  
Information,  
    safety 13  
Instructions  
    Boards 77

**K**  
Kensington Lock Cable 65  
Key combinations 43  
Keyboard 39  
keys 39

**L**  
Landscape format  
    display 29  
LCD screen  
    Decrease brightness 43  
    difficult to read 92  
    Notes 33  
    reflected glare 92  
    Remains blank 91  
Line feed 40

**M**  
Main memory  
    see memory expansion 80  
Making ready to use 19  
Mechanical security 65  
Memory card  
    handling 51  
    inserting 51  
    removing 52  
Memory expansion  
    installing 82  
    removing 81  
Memory module  
    Important notes 80  
    installing 82  
    removing 81  
Memory removal  
    see memory expansion 80  
Microphone 52  
    switch off 43  
    switch on 43  
Mobile operation 15  
Monitor  
    connecting 72  
    no image 92  
    remains blank 92  
    unstable image 92  
Monitor port  
    see VGA socket 72

**N**  
Notebook  
    before traveling 15  
    does not start 93  
    not working 94  
    operating 22  
    switching off 31  
    transporting 15  
Notebook: switching on 27  
Notes 13  
    disposal / recycling 103  
Energy saving 14  
    LCD screen 33  
    Transport 15  
Num Lock  
    indicator 25, 42  
Number keypad 39  
Numeric keypad 39  
    see Virtual number keys 42

- O**
- Operating system
  - activating system protection 67
  - cancel system protection 67
  - Protecting with password 67
- Operation, notebook 22
  
- P**
- Packaging 18
- Palm vein sensor 65
  - setting up 65
- Password
  - changing 67
  - entering 66
  - removing 67
- Password protection 66
- Pen 34
- Port replicator
  - Ports 58
- Portrait format display 29
- Ports
  - Port replicator 58
- Power saving 14
- Power-on indicator 24, 27
- Printer does not print 94
- Problem solving 90
  
- R**
- Radio components
  - Safety notes 14
- Rechargeable battery
  - see battery 46
- Return 40
  
- S**
- Safety information 13
- Screen brightness
  - Decrease 43
  - Increase 44
- Scroll Lock
  - indicator 25
- Security functions 62
  - Smart Card 68
  - SystemLock 68
- Self-discharge, battery 46
- Service life, battery 46
- Set up
  - Device 19
- Setup
  - see BIOS Setup Utility 87
  
- Shift 41
- Shift key 41
- Shift+Tab 44
- Slot
  - Memory cards 51
- Speaker 52
- Standby indicator 24
- Status indicators 22
- Supervisor password
  - change 67
  - entering 66
  - removing 67
- Switch off
  - speakers 43
- Switch on
  - speakers 43
- Switching between screen outputs 44
- Switching on for the first time 20
- System expansion 80
  - see memory expansion 80
- System settings, BIOS Setup Utility 87
  
- T**
- Tab key 40
- The wireless connection to a network
  - does not work 94
- Time not correct 91
- Tips 90
- Touchpad 38, 43
  - buttons 38
  - dragging items 39
  - executing commands 38
  - Move pointer 38
  - selecting an item 38
  - switch off 43
- Touchpad buttons 43
- TPM 68
- Transport 15
  - Damage during transportation 18
- Traveling, notebook 15
- Troubleshooting 90
- Trusted Platform Module 68
  
- U**
- UMTS 56
  - antenna 56
- USB charging function 75
- USB port with charging function (USB Type-C™) 74
- USB ports 73

User password  
  change 67  
  entering 66  
  removing 67  
Using the security lock 65

### V

VGA socket 72  
Virtual number keys 42  
Volume  
  increase 43  
  reduce 43

Volume control 52

### W

Webcam 45  
Windows key 41  
Wireless components 43  
Wireless LAN  
  Safety notes 14  
  switching module off 55, 115  
  switching module on 55, 115  
Wrong date/time 91