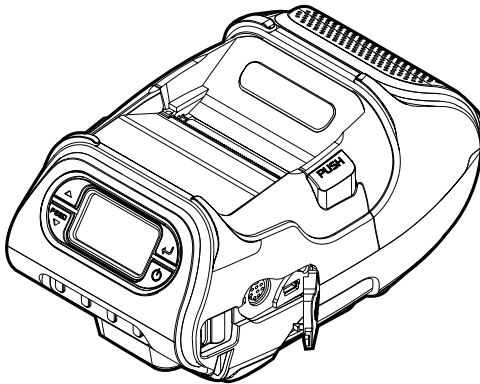


CITIZEN

MOBILE THERMAL PRINTER

MODEL CMP-25

User's Manual



CITIZEN SYSTEMS JAPAN CO., LTD.

WEEE MARK

- En** If you want to dispose of this product, do not mix it with general household waste. There is a separate collection systems for used electronics products in accordance with legislation under the WEEE Directive (Directive 2002/96/EC) and is effective only within European Union.
- Ge** Wenn Sie dieses Produkt entsorgen wollen, dann tun Sie dies bitte nicht zusammen mit dem Haushaltsmüll. Es gibt im Rahmen der WEEE-Direktive innerhalb der Europäischen Union (Direktive 2002/96/EC) gesetzliche Bestimmungen für separate Sammelsysteme für gebrauchte elektronische Geräte und Produkte.
- Fr** Si vous souhaitez vous débarrasser de cet appareil, ne le mettez pas à la poubelle avec vos ordures ménagères. Il existe un système de récupération distinct pour les vieux appareils électroniques conformément à la législation WEEE sur le recyclage des déchets des équipements électriques et électroniques (Directive 2002/96/EC) qui est uniquement valable dans les pays de l'Union européenne.
Les appareils et les machines électriques et électroniques contiennent souvent des matières dangereuses pour l'homme et l'environnement si vous les utilisez et vous vous en débarrassez de façon inappropriée.
- Sp** Si desea deshacerse de este producto, no lo mezcle con residuos domésticos de carácter general. Existe un sistema de recogida selectiva de aparatos electrónicos usados, según establece la legislación prevista por la Directiva 2002/96/CE sobre residuos de aparatos eléctricos y electrónicos (RAEE), vigente únicamente en la Unión Europea.
- It** Se desiderate gettare via questo prodotto, non mescolatelo ai rifiuti generici di casa. Esiste un sistema di raccolta separato per i prodotti elettronici usati in conformità alla legislazione RAEE (Direttiva 2002/96/CE), valida solo all'interno dell'Unione Europea.
- Du** Deponer dit product niet bij het gewone huishoudelijk afval wanneer u het wilt verwijderen. Er bestaat ingevolge de WEEE-richtlijn (Richtlijn 2002/96/EG) een speciaal wettelijk voorgeschreven verzamelstelsel voor gebruikte elektronische producten, welk alleen geldt binnen de Europese Unie.
- Da** Hvis du vil skille dig af med dette produkt, må du ikke smide det ud sammen med dit almindelige husholdningsaffald. Der findes et separat indsamlingsystem for udtjente elektroniske produkter i overensstemmelse med lovgivningen under WEEE-direktivet (direktiv 2002/96/EC), som kun er gældende i den Europæiske Union.
- Por** Se quiser deitar fora este produto, não o misture com o lixo comum. De acordo com a legislação que decorre da Directiva REEE – Resíduos de Equipamentos Eléctricos e Electrónicos (2002/96/CE), existe um sistema de recolha separado para os equipamentos electrónicos fora de uso, em vigor apenas na União Europeia.
- Pol** Jeżeli zamierzasz pozbyć się tego produktu, nie wyrzucaj go razem ze zwykłymi domowymi odpadkami. Według dyrektywy WEEE (Dyrektywa 2002/96/EC) obowiązującej w Unii Europejskiej dla używanych produktów elektronicznych należy stosować oddzielne sposoby utylizacji.



Compliance Statement for European Users

CE marking shows conformity to the following criteria and provisions: Low Voltage Directive (2014/35/EU), EMC Directive (2014/30/EU), and RoHS directive (2011/65/EU)

Full text of the EU declaration of conformity is available at the following internet address:

http://www.citizen-systems.co.jp/english/support/download/printer/others/eu_doc/

FCC Compliance Statement for American Users

This equipment has been tested and found to comply with the limits for a Class B digital device, pursuant to Part 15 of the FCC Rules. These limits are designed to provide reasonable protection against harmful interference in a residential installation. This equipment generates, uses, and can radiate radio frequency energy and, if not installed and used in accordance with the instructions, may cause harmful interference to radio communications. However, there is no guarantee that interference will not occur in a particular installation. If this equipment does cause interference to radio or television reception, which can be determined by turning the equipment off and on, the user is encouraged to try to correct the interference by one or more of the following measures:

- Reorient or relocate the receiving antenna.
- Increase the separation between the equipment and receiver.
- Connect the equipment into an outlet on a circuit different from that to which receiver is connected.
- Consult the dealer or an experienced radio/TV technician for help.

CAUTION: Use shielded cables to connect this device to computers.

Any changes or modifications not expressly approved by the grantee of this device could void the user's authority to operate the equipment.

EMI Compliance Statement for Canadian Users

- This Class B digital apparatus complies with Canadian ICES-003.
- Cet appareil numérique de la classe B est conforme à la norme NMB-003 du Canada.




GENERAL PRECAUTIONS

- Before using this product, be sure to read through this manual. After having read this manual, keep it in a safe, readily accessible place for future reference.
- The information contained herein is subject to change without prior notice.
- Reproduction or transfer of part or all of this document in any means is prohibited without permission from CITIZEN SYSTEMS.
- Note that CITIZEN SYSTEMS is not responsible for any operation results regardless of missing, error, or misprinting in this manual.
- Note that CITIZEN SYSTEMS is not responsible for any trouble caused as a result of using options or consumables that are not specified in this manual.
- Except explained elsewhere in this manual, do not attempt to service, disassemble or repair this product.
- Note that CITIZEN SYSTEMS is not responsible for any damage attributable to incorrect operation/handling or improper operating environments which are not specified in this manual.
- Due to the nature of thermal paper, printed data should be considered for temporary use, not stored for a long period or permanently. Please note that CITIZEN SYSTEMS is not responsible for damage or lost profit resulting from the loss of data caused by accidents, repairs, tests or other occurrence.
- If you find loss of information, error, or uncertain matter, please contact your CITIZEN SYSTEMS dealer.
- If you find any disordered or missing page (s), contact your CITIZEN SYSTEMS dealer for replacement.

SAFETY PRECAUTIONS

What the Icons Mean

Precautions and notices necessary to follow for preventing hazards to the user or other person or their properties are defined as shown below. Hazards and degrees of damage that may be caused by ignoring the instructions are categorized as shown below. Please be familiar with the content of these definitions before reading this manual.

 DANGER	Indicates the case that may result in death or serious injury.
 WARNING	This symbol indicates that using the product improperly in defiance of this symbol may result in death or serious injury.
 CAUTION	This symbol indicates that using the product improperly in defiance of this symbol may result in injury or damage to properties.

Definition of the icons



This symbol indicates the hazard that needs precautions.



This symbol indicates prohibited actions.



This symbol indicates mandatory actions.

Precautions in Handling Printer



WARNING



- If the product continues to be used when heat or smoke is generated or an abnormal odor is produced, a fire may occur. Immediately turn the printer power off, and carefully but quickly remove the battery, then contact our service agent.
- If any foreign matter (metal tip, water, liquid) enters the product, immediately turn the printer power OFF, and carefully but quickly remove the battery, then contact our service agent. Ignoring this instruction may result in a fire.



CAUTION



- This equipment is not suitable for use in locations where children are likely to be present.
- Do not place the printer on a shaky table or other unbalanced place. The printer may drop or fall resulting in injury.
- Avoid using or storing in the following place. Damage to printer may be caused.
 - In a car parked in a sunny place, a place exposed to direct sunlight, near heat generating equipment, or the like.
 - A place where temperature or humidity is excessively high or low, or its change is radical.
 - A dusty place.
 - A place likely to get a splash of water or liquid.
- Avoid dropping, impacting or vibrating the printer otherwise damage may be caused.
- Avoid entry of foreign material. Otherwise, fault may occur.
- Do not use volatile liquid (thinner, benzene, etc.) or wet cloth when cleaning the printer. Deterioration or discoloration may occur. Use a dry, soft cloth for cleaning.
- Do not move the printer or give any shock or vibration to it while the printer is in operation or in standby operation. The printer power may be disconnected and the print data may be lost.

Precautions on Using Printer



WARNING



- Do not touch the print head or paper cutter while replacing print paper. Heated print head may cause burn. The cutter may cause injury to the hand.



CAUTION



- Use of print paper other than specified may result in not only deteriorated print quality but shortened life of print head (printing portion).
- Do not tap or rub the print head with edged or hard material.
- When condensation is present on the print head, dry it completely before printing. Printing with condensation may damage the print head.



Precaution on Overheating



CAUTION



- To prevent the motor from overheating, continuous printing (or feeding) of the printer should be 1.5 m or less in print length. After printing for this distance we recommend a pause of at least 30 seconds for cooling.

Precautions on Using Battery



DANGER



- Leaked liquid from the battery may result in loss of eyesight if it enters the eye. Immediately wash eyes with fresh water and get medical care.
- If liquid from the battery is ingested, immediately seek medical attention.
- Keep the following in mind when handling battery. Otherwise, liquid leakage, heat generation, and explosion may result.
 - Do not throw battery into fire or do not apply heat.
 - Do not peel or scratch the external battery casing.
 - Soldering is prohibited.
 - Do not give strong shock to battery or throw it away.
 - Do not short-circuit the positive and negative terminals with a metal such as metal wire.
- Never disassemble or modify battery. Otherwise, liquid leakage, heat generation, or explosion may occur.



WARNING



- If battery liquid attaches to skin or cloth, immediately wash it out with fresh water. Otherwise, skin disorder may be caused.



CAUTION



- Risk of explosion if battery is replaced by an incorrect type.
- Dispose of used batteries according to the instructions.
- Use only the approved external charger or charge the battery within the printer.
- Never use another charger or one that looks to be similar.



CAUTION



- Do not dip battery in water or sea water. Wet battery may generate heat or may be subject to corrosion.
- Do not use or leave battery at high temperature. Using or leaving battery in a place of high temperature may result in liquid leakage, deteriorated performance, or shortened lifetime.



- Keep battery beyond the reach of a baby or child. Pay attention not to let a child take out the battery.
- If the battery is used for the first time, be sure to charge it completely before use.
- If any abnormality is found while the battery is in use, stop the operation and carry the battery in local sales agent.
- The battery in the printer is shipped partially charged. Please fully charge the battery prior to using the printer.

Precautions on Installing New Paper



CAUTION



- Before printing, confirm that print paper is set straight forward at the exit from the print (thermal) head. Skewed setting may result in paper jamming.
- To prevent skewed insertion of paper, use the following form for the end of paper.

OK



Precautions on Using Thermal Paper



CAUTION



- Print density may change with different kind of paper and atmosphere temperature.
- Observe the following when using thermal paper. Thermal paper is not resistant to discoloration, deterioration in quality, and thin printing.
 - Do not leave printed thermal paper exposed to light for a long time.
 - Avoid exposure to high temperature, humidity, liquid, or sunlight.
 - When keeping the printer thermal paper on a board, do not use paste, adhesive, or adhesive tape containing volatile organic solvent.
 - For long-time storage, use thermal paper of high storage type or copy it with plain paper copier.
 - Avoid contact with a film of vinyl chloride for a long time.
 - Avoid using ammonia. Do not put thermal paper near the paper copied by use of ammonia.
 - Avoid putting sweat or grease from your hands on the surface (printed or to be printed) of thermal paper.
 - Store thermal paper in a dark place with average temperature below 25°C and relative humidity below 65% .
- Using print paper with a thickness outside the recommended range may cause improper print quality.

Precautions on Using Special Serial Cable



WARNING



- With one side of the connector connected to this product, do not touch the metal part of the other connector.



CAUTION



- Static electricity may cause breakdown of internal circuit of this product.
- Do not leave this product with a cable wound around it for a long time. Disconnection or discoloration may result.
- Plugging and unplugging the contactor shall be done securely in the correct direction.

Precautions on Using Charger



CAUTION



- Do not use the product at a voltage and frequency other than specified.
- Do not use Charger other than specified.
- Before use, confirm that the power receptacle has sufficient capacity.
- Do not connect to the power receptacle where multiple connections are used.
- Do not step on, tap, or put any object, on the cable of the Charger.
- Before connecting or disconnecting Charger, turn the printer power OFF. Do the operation securely.

THE TABLE OF CONTENTS

1. GENERAL OUTLINE	14
1.1 Unpacking.....	14
1.2 Basic Specifications	15
1.3 Model Classifications	17
1.4 Explanation of Printer Parts	18
2. OPERATION	24
2.1 Installing the Battery.....	24
2.2 Removing Battery	25
2.3 Charging the Battery	26
2.4 Using Cigarette Jack Charger.....	27
2.5 Belt Clip Usage	28
2.6 Shoulder Strap Installation.....	29
2.7 Roll Paper installation.....	30
2.8 Diagnostic Test.....	31
3. INTERFACE.....	32
3.1 Interface Cable Connection.....	32
3.2 <i>Bluetooth</i> Communication.....	33
3.3 Wi-Fi Communication.....	33
4. PRINTER CLEANING	34
4.1 Printer Head Cleaning	35
4.2 Platen Roller Cleaning	35
5. ROLL PAPER.....	36
6. LABEL.....	37

-
- “Made for iPod,” “Made for iPhone,” and “Made for iPad” mean that an electronic accessory has been designed to connect specifically to iPod, iPhone, or iPad, respectively, and has been certified by the developer to meet Apple performance standards. Apple is not responsible for the operation of this device or its compliance with safety and regulatory standards. Please note that the use of this accessory with iPod, iPhone or iPad may affect wireless performance.
 - iPad, iPhone and iPod touch are trademarks of Apple Inc., registered in the U.S. and other countries.
iPad Air and iPad mini are trademarks of Apple Inc.
 - QR Code is a registered trademark of DENSO WAVE INCORPORATED.
 - Bluetooth® is a registered trademark of Bluetooth-SIG Inc.
 - Wi-Fi is a registered trademark of Wi-Fi Alliance.
-

CITIZEN is a registered trademark of Citizen Watch Co., Ltd.
CITIZEN est une marque enregistrée de Citizen Watch Co. Ltd.
Copyright © 2017 by CITIZEN SYSTEMS JAPAN CO., LTD.

1. GENERAL OUTLINE

CMP-25 is a full featured portable line thermal printer, which can be used in a large variety of job environments.

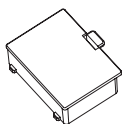
Bluetooth/Wi-Fi communication with a PDA or similar device is useful for business activities at the point of sale or service.

1.1 Unpacking

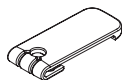
Standard



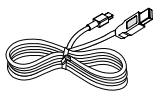
Printer



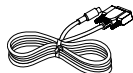
Battery



Belt Clip (Screw included)



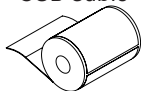
USB Cable



Serial Cable



Recharger (EU Plug included)



Paper Roll

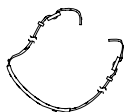


CD-ROM



Quick Start Guide

Optional



Strap



Cigar jack



Battery Holder (Cradle)

1.2 Basic Specifications

Printing	Method	Direct Thermal
	Speed	127 mm/sec.
	Width	48 mm, 384 Dots/line
	Resolution	203 DPI
Dot Pitch	8 Dot/mm, 0.125 Pitch	
Character	FontA to H, FontGS, Resident TTF (Font0), Downloadable TTF	
Barcode	1D : Code11, ITF, Code39, Planet, EAN-8, UPC-E, Code93, Code128 etc. (ZPLII) 2D: QR, PDF417, MicroPDF417, Maxicode, Datamatrix, Aztec, TLC39, RSS14	
Emulation	ZPL Command compatible	
Sensor	Black-Mark Upper/Lower, Gap, Cover open	
Drop Resistance	1.5m onto concrete	
LCD	FSTN LCD 128 x 64 dots	
Paper	Paper type	Thermal Paper
	Width	12.7 to 58 mm
	Thickness	0.06 to 0.16 mm
	External Diameter	Max. ϕ 56 mm
	Internal Diameter	12.5 mm \pm 0.5 mm
Reliability	Thermal Printer Head	50 km
	Battery	Continuous printing: 4490 labels (100mm length) Standby: 85 hours (USB/Serial only model) 70 hours (Bluetooth model) 33 hours (WiFi model)
Communications	Standard	Serial (RS-232C), USB
	Optional	Bluetooth Smart ready 4.2 or Wi-Fi (802.11a/b/g/n)
Battery Charger	Input	AC100 to 240V, 50/60 Hz
	Output	8.4 V , 800 to 1200 mA
Battery	Battery type	Li-ion
	Output	7.4 V, 2600 mAh/19.24 Wh
	Charging time	Less than 3 hours

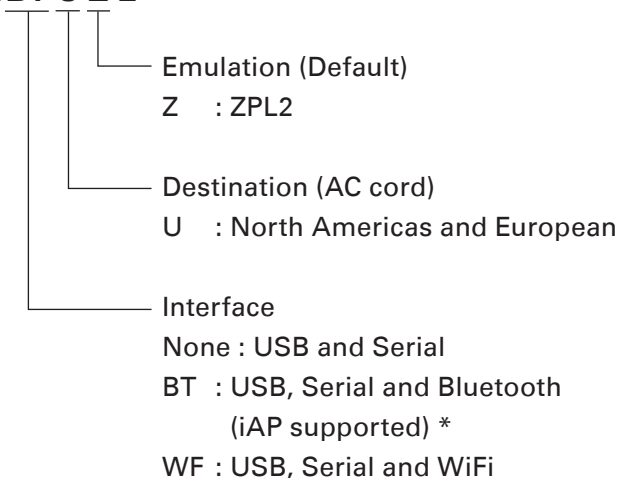
Size	WxDxH (mm)	166 mm x 174 mm x 82 mm
	WxDxH"	6.5 inch x 6.8 inch x 3.2 inch
Weight	590 g (including battery)	
Environment Sealing	IP42	
Temperature	Operation	-10 to 50°C ^{*1}
	Storage	-20 to 60°C
Humidity	Operation	35 to 80%
	Storage	10 to 90%

*1 This does not guarantee printing quality at low temperature.

1.3 Model Classifications

Classified by the following designation.

CMP-25BT U Z L



* iAP is necessary to connect to Apple iOS device.



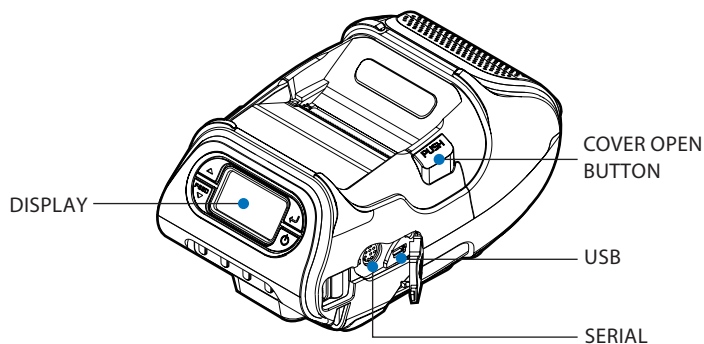
NOTE

There are no products available for some of the combination of symbols.

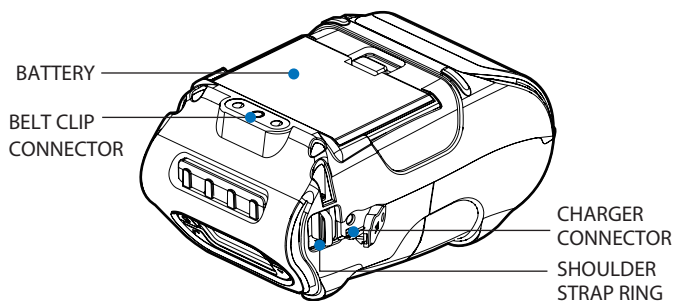
1.4 Explanation of Printer Parts

1.4.1 Printer Appearance

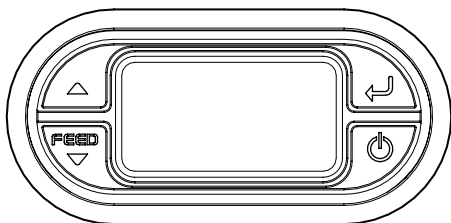
Front







Bottom



1.4.2 Operation Panel

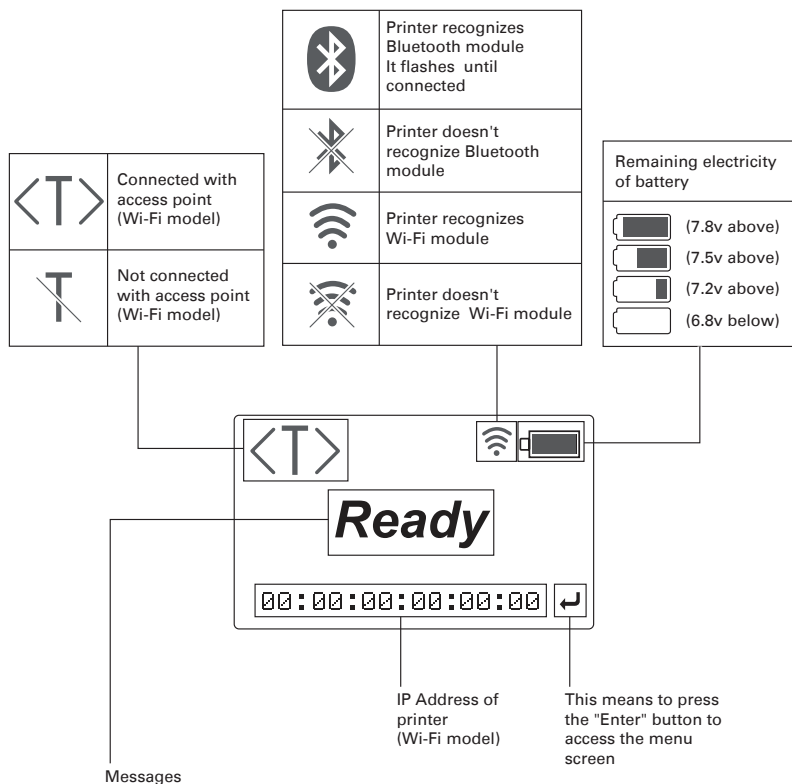


Button	Name	Function
	Paper Feed / Down Button	Advances the supply. Clears error message. Moves down through menu options. 1. Refer to "2-8" for DiagnosticTest information. 2. Refer to the service manual regarding Hexadecimal Dumping.
	Enter Button	Selects the highlighted menu option.
	Up Button	Moves up through menu options.
	Power Button	Turns the printer on and off. Press to turn power on. Press for three seconds to turn power off. Wakes the printer from sleep mode.

NOTE

1. The battery status icon in LCD indicates amount of power remaining. Actual run-time remaining depends on factors such as the contents of output, distance to computer, etc.
2. When the battery level is very low, high density printing can result in the printer switching off during printing resulting in possible loss of data.

1.4.3 Ready Screen (initial screen)



Language	Ready / Online	Paper Out	Cover Open	Can't see gap or	Battery Low
English	Ready	Media Out	Cover open	Check media type	Battery Low
Français	Prêt	Fin de papier	Capot ouvert	Vérifier consommable	Batterie faible
Deutsch	Online	Papier zu Ende	Abdeckung offen	Prüfe Media Typ	Batterie schwach
Español	Lista	Sin Papel	Cubierta Abierta	Verificar Papel	Bateria Baja

1.4.4 Menu operation

Here we explain how to adjust the display brightness as an example.

- (1) Press the Enter (↵) button to enter the Menu.
- (2) Press the Up (△) or Paper Feed/Down (▽) button to select Tool Box.

Tool Box: Using this menu, you can customize various system settings to achieve optimal performance from this printer.

Language: Using this menu, you can change the system language.

- (3) Press the Enter (↵) button.
Password input screen appears.
- (4) Press the Up (△) and Enter (↵) buttons in the following sequence:
↵, △, △, △, ↵.
If the password is entered correctly, the Tool Box menu screen will appear.
- (5) Press the Power (⏻) button to exit the menu.

1.4.5 Menu displayed on the LCD / Operation Panel

Top	2nd	3rd	4th	5th	Choices		
Tool Box	(Password1)	Diagnostic	Printer	Test Label		Test Print/Grey Scale/Exit	
				Sensors		Black Mark/Peeler/Gap/Peel Switch/Exit	
				Printhead		Head Temp/Exit	
				Battery			
				View Total		Print Inch/Service In/Exit	
			Exit				
			Display		Backlight		
					Pixel		
					Exit		
					Keyboard		
					RAM		
					Data Dump		
					About		
					Exit		
			Setup		Media Heat		Standard/Special/High Power/Exit
				Backlight		Enable/Disable/Exit	
				LCD Cont			
				Printer	Contrast		
					Supply Pos		
					Print Pos		
					Margin Adj		
					SensorMode		Gap/BM Lower/BM Upper/Continuous/Exit
					Sensor Cal		Gap/BM Lower/BM Upper/Peel/Exit
					Detect		Disable/Exit
				Exit			
				SerialPort	Baud Rate		1200/2400/4800/9600/19200/38400/57600/115200/Exit
					Parity		No/Odd/Even/Exit
					Data Bits		7/8/Exit
					Stop Bit		1/2/Exit
					Flow Ctrl		No Flow/DTR Flow/RTS Flow/"Xon/Xoff"/Exit
					Exit		
				PowerMngmt	Sleep Mode		Disable/10Sec/20Sec/30Sec/1Min/2Min/5Min/10Min/30Min/1Hour/Exit
					Power Off		Disable/10Min/20Min/30Min/Exit
		Exit					

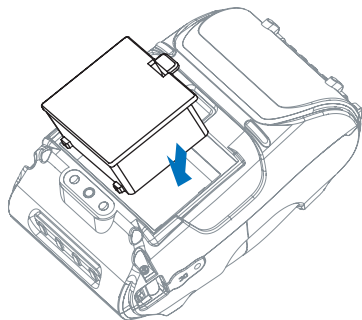
Top		2nd	3rd	4th	5th	Choices
Tool Box	(Password1)	Setup	Wireless	Status		
				Configure	IP Address	
					SubnetMask	
					Gateway	
					Power Mode	CAM/PSP/Exit
					SSID	
				Exit		
				Print Info		
				Reset		
				Exit		
		Bluetooth	Security		Enable/Disable/Exit	
			Change PIN			
			Local Name			
			Address			
			Print Info			
			Exit			
		Exit				
		Service	(Password2)	Totals	View	Print Inch/Service In/Exit
					Modify	Print Inch/Service In/Exit
					Clear	Print Inch/Service In/Exit
Exit						
Default						
File Sys.	Clear File/Exit					
Exit						
Exit						
Language		English				
		Francais				
		Deutsch				
		Espanol				
		Exit				

Message shown on LCD in Sleep mode	"Sleep Mode / Press Power Key to wake up"
------------------------------------	---

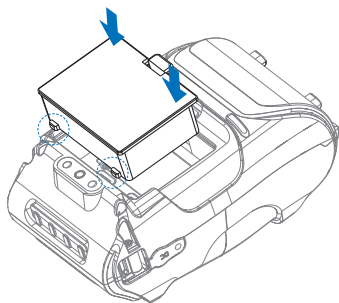
2. OPERATION

2.1 Installing the Battery

- (1) Remove the battery. Insert the battery as shown.



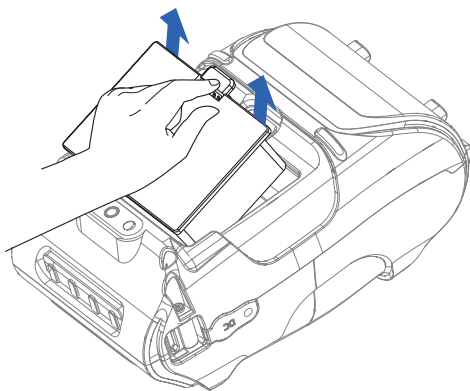
- (2) Replace the battery.



NOTE

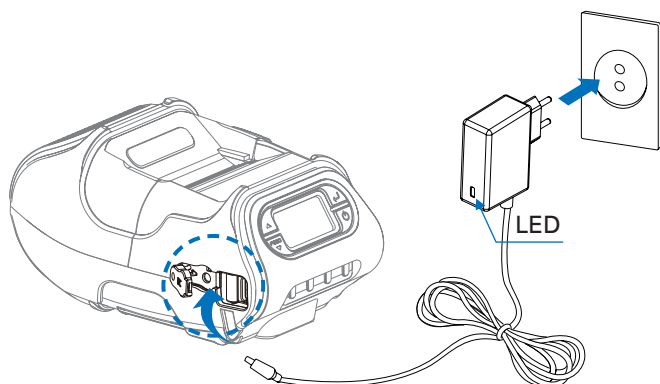
You must fully charge the battery when you receive the printer.
Batteries can be charged in the printer or in an optional external cradle.

2.2 Removing Battery



Remove the battery. Lift out the battery.

2.3 Charging the Battery



- (1) Be sure that the printer is turned off.
- (2) After open the DC JACK cover, insert DC JACK into the printer.
- (3) Plug the power cord to electrical outlet.

The status of lamp in charging

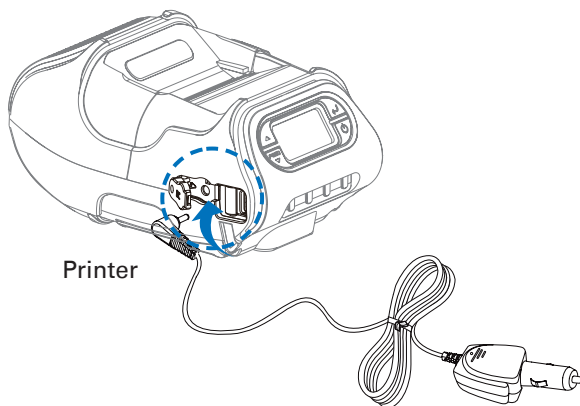
Status	Charging	Charging Completed
Charging Lamp	Red	Green

NOTE

If there is trouble while charging the battery, the charge indicator LED blinks green. Try unplugging and reconnecting charger, charging should resume. Charging is complete when the LED changes to solid green.

2.4 Using Cigarette Jack Charger

Optional



Connect the vehicle charger to the printer.

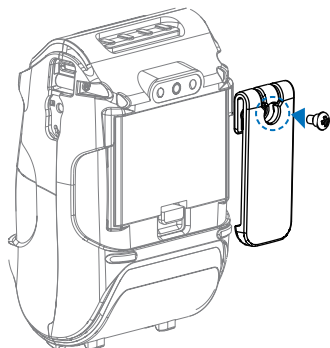
Input	12 V to 24 V
Output	8.4 V / 0.8 V to 1.2 A

Plug the vehicle charger to the cigarette socket on your vehicle.

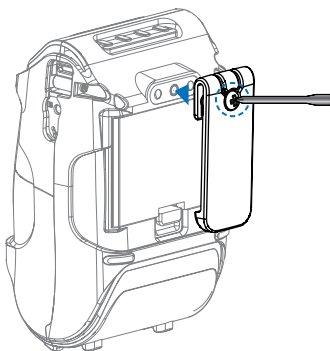
! NOTE

Connect the vehicle charger to the printer.

2.5 Belt Clip Usage



(1) Insert screw into belt clip.



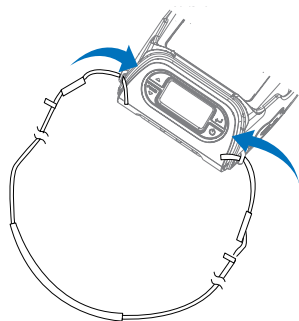
(2) Tighten the screw with driver as shown.

NOTE

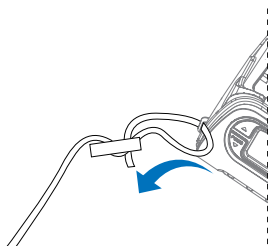
The belt clip is included with the printer but is not required to be used or installed!

2.6 Shoulder Strap Installation

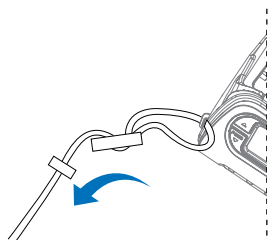
Optional



- (1) Insert the strap into the hook of the printer.

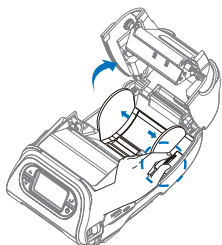


- (2) Place the end of the strap into the hook of shoulder strap.

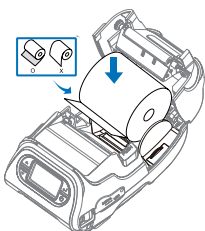


- (3) After pulling out the end of the strap tightly, put it into the clip to be fastened.

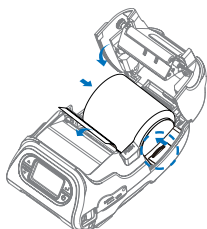
2.7 Roll Paper installation



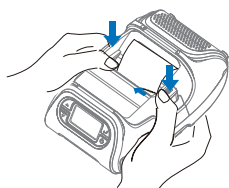
- (1) Open the Paper cover by pressing the Open button and set the width of paper guide by turning the knob with finger.



- (2) Put the stock in so it unrolls from the bottom. Remove the stock core when it is empty. Pull a short length of stock out of the printer.



- (3) Close the cover.



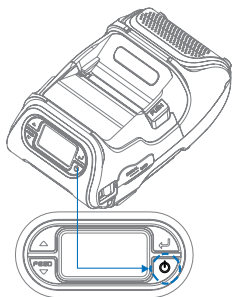
- (4) Close the paper with both hands and run the paper line up by pressing feed button.

NOTE

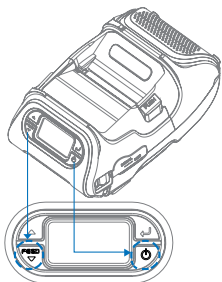
If the users close the cover with one hand, it would not be closed completely.
Please use both hands to close.

2.8 Diagnostic Test

- (1) Turn off the printer.



- (2) Press and hold the feed button and power button.



- (3) The information label prints.

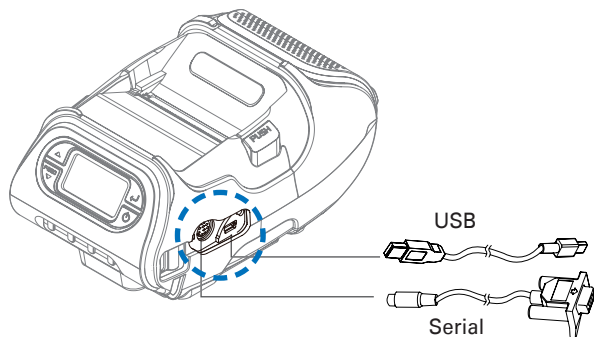


NOTE

1. For Hex Dump mode, do steps 1 to 2 then press the feed button.
2. After printing ASCII pattern, the diagnostic test is complete.
3. If the feed button is not pressed to go to Hex Dump mode, the printer exits diagnostics after three seconds.

3. INTERFACE

3.1 Interface Cable Connection



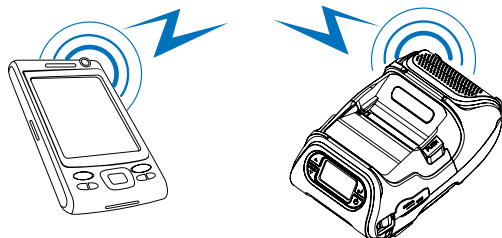
- (1) Connect the USB or Serial cable to the cable connector on the printer.

NOTE

Use only the cables offered by the printer manufacturer.

- (2) Connect the interface cable into the USB or Serial port of the device (PDA, PC, etc.).

This product can communicate with other devices via Bluetooth or Wi-Fi communication and cable.



3.2 Bluetooth Communication

Optional

- (1) Printer can be connected to the PDA and PC which can do wireless communication.
- (2) By using Bluetooth function supported in PC, printer can be connected.

NOTE

Refer to the System Administrator Guide for more information.

3.3 Wi-Fi Communication

Optional

- (1) The Printer can be connected to devices equipped with Wi-Fi (802.11a/b/g/n) communication capacity. (PDAs, PCs, etc.)
- (2) Use the Wi-Fi (802.11a/b/g/n) connection function supported by the device to connect to the printer.

NOTE

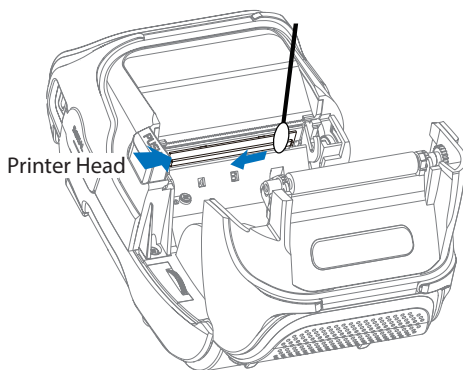
Refer to the Wi-Fi (802.11a/b/g/n) Manual for more details on connection.

4. PRINTER CLEANING

If the interior of the printer is dusty, printing quality can be lowered. In this case, follow the instructions below to clean the printer.

4.1 Printer Head Cleaning

- (1) Use an applicator swab moistened with an isopropyl alcohol to clean the printer head and remove any dust.
- (2) Once cleaning is complete, allow the printer to dry then install the stock and close the cover.

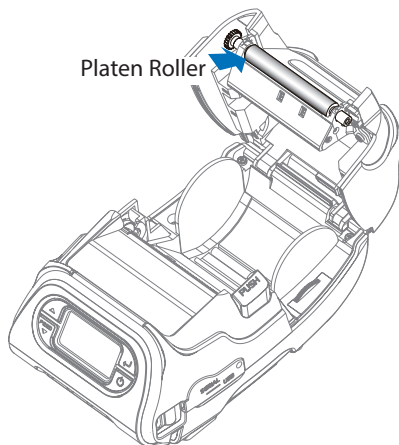


NOTE

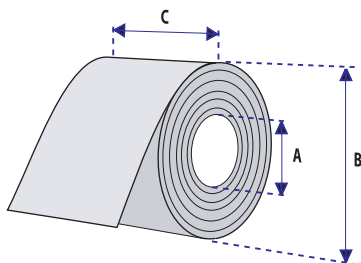
1. Make sure to turn the printer power off prior to cleaning.
2. The printer head can become very hot during printing; allow the printer approximately 10 minutes to cool before cleaning.
3. Do not touch the printer head, it can be damaged by static electricity.
4. Take care not to allow the printer head to become scratched and /or damaged in any way.

4.2 Platen Roller Cleaning

- (1) Clean the platen roller with a clean soft cloth moistened with isopropyl alcohol or a cleaning pen.
- (2) Turn the platen roller with your finger to clean the entire surface.



5. ROLL PAPER



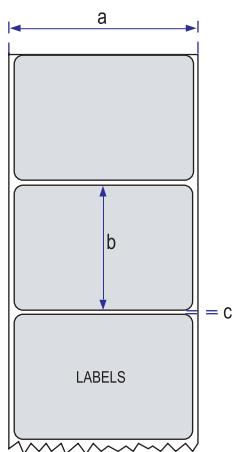
Core	
Diameter (A)	12.5 mm +/-0.5 mm
Roll	
Max.diameter (B)	Max. 56 mm
Max.media width (C)	58±0.5 mm
Min.media width (C)	12.7 mm
Max.media thickness	0.16 mm
Min.media thickness	0.06 mm

CAUTION

Protect the media against sand, grit, and other hard particles during printing and storage. Keep the cover closed. Even very small foreign particles may cause severe harm to the delicate printhead.

6. LABEL

<-- a --> Media width (liner)	
Maximum	58±0.5 mm
Minimum	8.7±0.5 mm
<-- b --> Label length	
Minimum	12.7 to 300 mm
<-- c --> Label gap height	
Maximum	8.3 mm
Minimum	1.8 mm
Liner	
Opacity	50 to 75%



CITIZEN SYSTEMS AMERICA CORPORATION

363 Van Ness Way, Suite 404
Torrance, CA 90501. USA
Tel: (310) 781-1460
Fax:(310) 781-9152
<http://www.citizen-systems.com>

CITIZEN SYSTEMS EUROPE GmbH

Otto-Hirsch-Brücken 17	Elizabeth House, 56-60 London Road
70329 Stuttgart	Staines-Upon-Thames, TW18 4HF
Germany	United Kingdom
Tel: +49 (0) 711 49032-0	Tel: +44 (0) 20 8893 1900
Fax:+49 (0) 711 49032-45	Fax: +44 (0) 20 8893 0080
http://www.citizen-europe.com	

CITIZEN SYSTEMS JAPAN CO., LTD.

6-1-12, Tanashi-cho, Nishi-Tokyo-shi
Tokyo, 188-8511. Japan
Tel: +81 (0) 42 468 4608
Fax:+81 (0) 42 468 4687
<http://www.citizen-systems.co.jp>

CMP-25_UM_100EN
July 2017
PMC-1707