

Data Broadcast Units

Send your training demo
to eight PCs simultaneously.



FEATURES

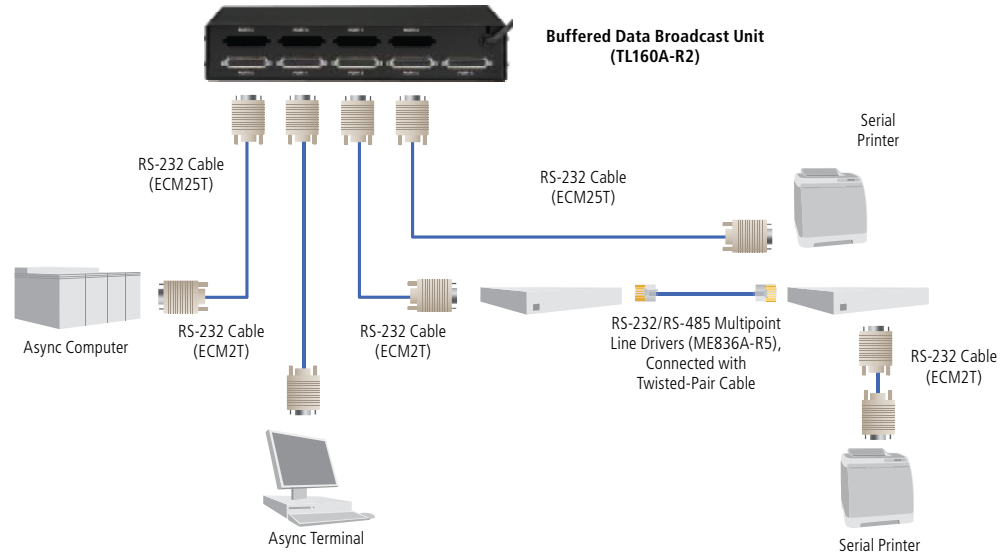
Data Broadcast Units:

- » Fully regenerate an async host signal and broadcast it out to eight slave ports. Choose from DB25 or RJ-11 versions.
- » 1-year warranty.

Buffered Data Broadcast Units:

- » Port buffering lets your connected devices receive data continuously, regardless of their speeds.
- » Guaranteed for life.

A broadcast application showing data transmission to four RS-232 devices.



OVERVIEW

If you want to transmit data to more than one printer or terminal at the same time, choose among our Data Broadcast Units, Buffered Data Broadcast Units, and Parallel Data Broadcast/Fallback Unit. These solutions get the job done—without losing signal strength!

Data Broadcast Units

The Data Broadcast Units enable you to transmit data from any serial async device to up to eight printers, modems, or terminals simultaneously.

The Data Broadcast Units take the RS-232 signal from your async host, divide it among eight slave ports, and then completely regenerate and broadcast each of those new port signals to their respective devices.

There's a model for DB25 cabling and one for RJ-11 cabling to fit your needs. The DB25 model is available in 115- or 230-VAC versions.

Buffered Data Broadcast Units

The Buffered Data Broadcast Units function in the same way as the Data Broadcast Units, but they also feature individually buffered ports. These let you send async data to devices operating at various speeds. You can configure each port for word structure, baud rate, flow control, and DTE or DCE operation.

Versions are available for 115- or 230-VAC power.

Technically Speaking

The Data Broadcast Units and Buffered Data Broadcast Units regenerate a serial RS-232 async signal and send it to up to eight terminals or printers simultaneously. The Parallel Data Broadcast/Fallback Unit sends parallel data to two printers at once, or operates in fallback mode to support a backup printer in case your primary printer fails.

Data Broadcast Units

- The DB25 model supports three leads on each port connector: Transmit Data (TXD), Receive Data (RXD), and Signal Ground (SG). Pins 4 and 5 are jumpered internally. Also, pins 6, 8, and 20 are tied internally. The input to the Composite port is regenerated and simultaneously sent out on the output lead of each of the eight slave ports, channels 1 through 8.
- The RJ-11 model supports pins 2, 3, and 7 only. You will need to order male or female RJ modular adapters for use with this model. See page 4.

Buffered Data Broadcast Units

- These units have an internal buffer that is dynamically allocated to the individual ports. "Dynamic allocation" means that a varying amount of buffer is given to each port as it needs it, instead of having a set size of buffer for each port. Additional buffer amounts can be shifted to ports that are receiving information faster than they can transmit it out to another port(s). Since this allows the buffer to be used most efficiently, system throughput increases. The dynamic allocation works in both directions—when a host is transmitting to the ports and when the ports are transmitting to the host.
- Buffered Data Broadcast Units support four slave devices and one master device. They have 32 KB of RAM, with approximately 29.4 KB devoted to buffering. You can expand their channel port capacity and/or RAM with the following items:
 - A 4-Port Expansion Card that provides 4 additional input ports.
 - A 32-KB Memory Expansion Card that also provides 25.4 KB more bytes of buffer.

Tech Specs For Data Broadcast Units:

Flow Control — Software only, transparent to speed and data

Pins Supported — TL158A-R4, TL158AE-R3: 4, 5, 6, 8, and 20;
TL159A: 2, 3, and 7

Protocol — Async

Speed — Transparent

User Channels — 8

CE Approval — TL158AE-R3

Interface — RS-232 (DTE/DCE)

Connectors — TL158A-R4, TL158AE-R3: (9) DB25 F;
TL159A: (9) RJ-11 F

Indicators — (10) LEDs — PWR, Channels 1 through 8 active, COMP active

Power — TL158A-R4: Wallmount power supply, 115 VAC, 60 Hz
@ 50 mA, 60 W;

TL158AE-R3: External power supply (IEC connector), 230 VAC, 50 Hz;

TL159A: Wallmount power supply, 120 VAC, 60 Hz, 6 W

Size —

TL158A-R4, TL158AE-R3: 2.3"H x 12.2"W x 11.1"D (5.8 x 31 x 28.2 cm);

TL159A: 1.5"H x 5.5"W x 8.5"D (3.8 x 14 x 21.6 cm)

Weight — TL158A-R4, TL158AE-R3: 8.3 lb. (3.8 kg);

TL159A: 2.4 lb. (1.1 kg)

NOTE: The TL159A is not rackmountable.

TECH SPECS

Tech Specs For Buffered Data Broadcast Units:

Buffer Size — 32 KB (expandable to 64 KB with optional TL484)

Data Format — Each port can be configured for 7 or 8 bits;
odd, even, or no parity

Flow Control — Hardware or software, transparent to speed and data

Pins Supported — 1, 2, 3, 4, 5, 6, 7, 8, 20, and 22

Protocol — Async, ASCII

Speed — 110 bps to 19.2 kbps (port selectable)

User Channels — 4 (expands to 8)

CE Approval — TL160A-R2, TL160-C, and 230-VAC version: TL160AE-R2

Interface — RS-232, DTE/DCE selectable

Connectors — (5) DB25 F; (9) with TL160-C

Indicators — (10) LEDs: (1) Power, (9) Port Activity

Operating Environment — Temperature: 32 to 113°F (0 to 45°C);

Humidity: Up to 95% noncondensing

Mean Time Between Failures (MTBF) —

TL160A-R2, TL160AE-R2: 20,000 hours;

with TL160-C: 16,000 hours

Power —

TL160A-R2: Wallmount power supply, 115 VAC, 60 Hz, 175 mA, 20 W;

TL160AE-R2: External power supply (IEC connector),

230 VAC, 50 Hz, 90 mA, 20 W

Size — TL160A-R2, TL160AE-R2: 2.3"H x 12.2"W x 11.1"D

(5.8 x 31 x 28.2 cm)

Weight — TL160A-R2, TL160AE-R2: 7.5 lb. (3.4 kg);

TL160-C: 8.1 lb. (3.7 kg)



TL159A: top: front view;
bottom: rear view



TL160A-R2

Item	Code
Data Broadcast Units	
DB25	
115-VAC	TL158A-R4
230-VAC	TL158AE-R3
RJ-11	TL159A
To rackmount the DB25 models, order...	
Rackmount Bracket	TL486
The RJ-11 model requires...	
RJ Modular Adapter	
Male	FA252
Female	FA253
For optimum performance and a 20% savings, order...	
RJ-11 (4-Wire) Modular Cable, Straight-Pinned, 7-ft. (2.1-m)	EL04MS-07
Standard RS-232 Low-Noise Cable, 25-Conductors, 10-ft. (3-m)	ECM25T-0010
Buffered Data Broadcast Units	
115-VAC	TL160A-R2
230-VAC	TL160AE-R2

Item	Code
To enhance your Buffered Data Broadcast Units, order...	
4-Port Expansion Card	TL160-C
32-KB Memory Expansion Card	TL484
For optimum performance and a 20% savings, order...	
Standard RS-232 Low-Noise Cable, 25-Conductors, 10-ft. (3-m)	ECM25T-0010
For long-distance connections, order a pair of...	
Short-Haul Modem-B Parallel-T (Transmitter)	
Standalone	ME806A
Card	ME806-C
Short-Haul Modem-B Parallel-R (Receiver)	
Standalone	ME807A
For printer connections...	
Parallel Printer Cable, 10-ft. (3-m), Male/Male	EYN600-0010-MM

Why Buy From Black Box? Exceptional Value. Exceptional Tech Support. Period.

Recognize any of these situations?

- You wait more than 30 minutes to get through to a vendor's tech support.
- The so-called "tech" can't help you or gives you the wrong answer.
- You don't have a purchase order number and the tech refuses to help you.
- It's 9 p.m. and you need help, but your vendor's tech support line is closed.

According to a survey by *Data Communications* magazine, 90% of network managers surveyed say that getting the technical support they need is extremely important when choosing a vendor. But even though network managers pay anywhere from 10 to 20% of their overall purchase price for a basic service and support contract, the technical support and service they receive falls far short of their expectations—and certainly isn't worth what they paid.

At Black Box, we guarantee the best value and the best support. You can even consult our Technical Support Experts before you buy if you need help selecting just the right component for your application. Don't waste time and money—call Black Box today.