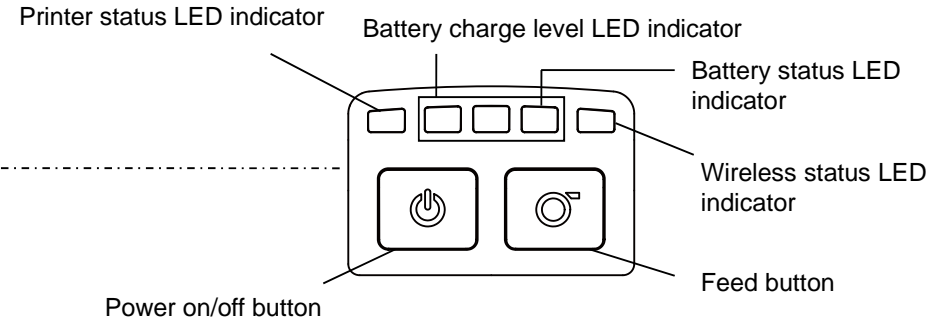
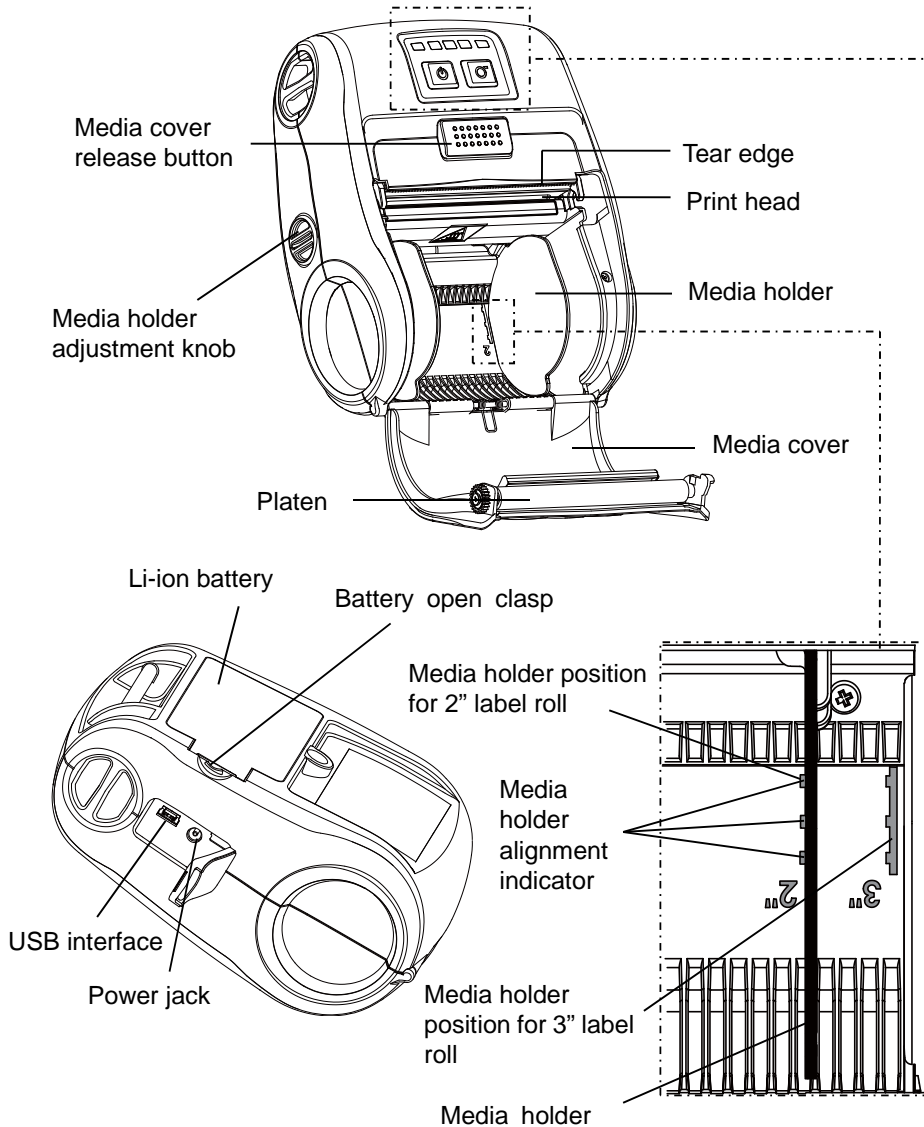


# M320 Mobile Receipt and Label Printer QUICK START GUIDE



## Printer Overview



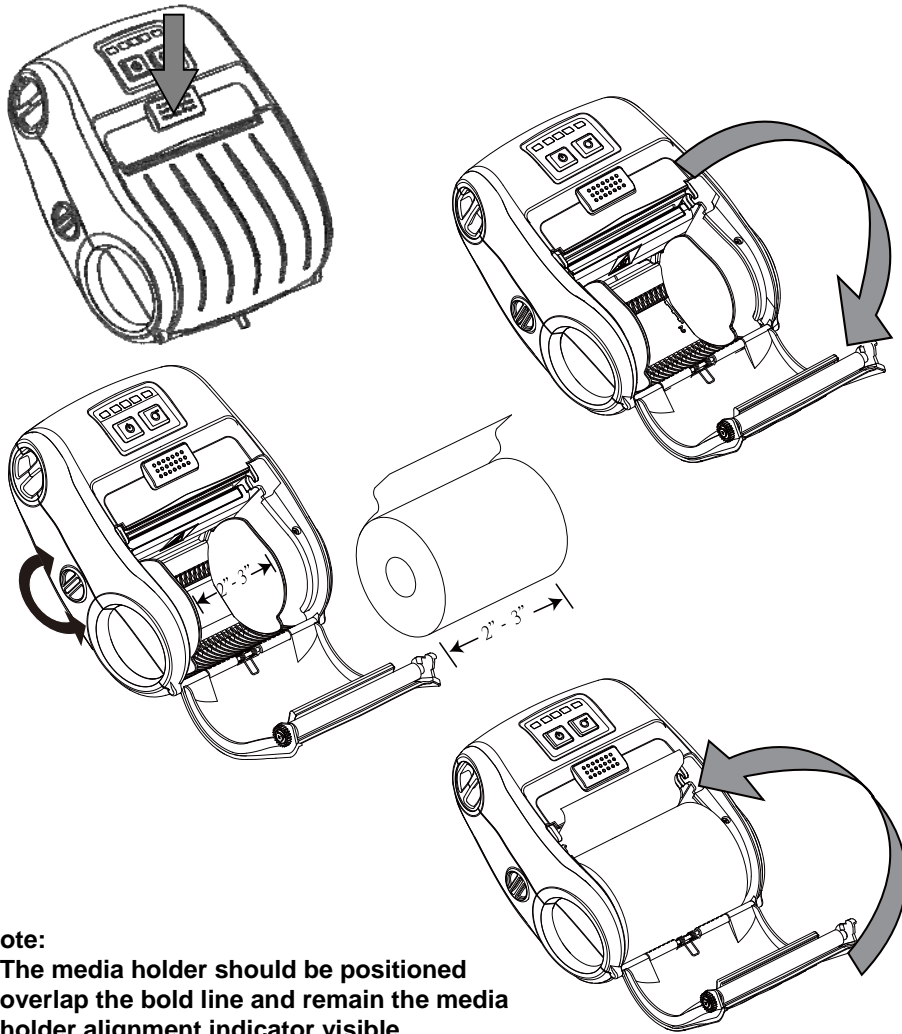
## LED Indication and Keys

| LED                                | Status            | Indication  |           |              |           |                   |           |                   |
|------------------------------------|-------------------|---|-----------|--------------|-----------|-------------------|-----------|-------------------|
| Printer status LED indicator       | Off               | Printer is ready  |           |              |           |                   |           |                   |
|                                    | Green (blinking)  | Printer is paused   |           |              |           |                   |           |                   |
|                                    | Red (solid)       | Media cover is open   |           |              |           |                   |           |                   |
|                                    | Red (blinking)    | Printer error   |           |              |           |                   |           |                   |
| Battery status LED indicator       | Green (blinking)  | Recharge the battery  |           |              |           |                   |           |                   |
|                                    | Amber (solid)     | Battery is charging   |           |              |           |                   |           |                   |
| Battery charge level LED indicator | Green (solid)     | <table border="1"> <tr> <td>□ □ □ □ □</td> <td>Full charged</td> </tr> <tr> <td>□ □ □ ■ □</td> <td>2/3 charged level</td> </tr> <tr> <td>□ □ □ □ ■</td> <td>1/3 charged level</td> </tr> </table> | □ □ □ □ □ | Full charged | □ □ □ ■ □ | 2/3 charged level | □ □ □ □ ■ | 1/3 charged level |
|                                    | □ □ □ □ □         | Full charged  |           |              |           |                   |           |                   |
|                                    | □ □ □ ■ □         | 2/3 charged level   |           |              |           |                   |           |                   |
| □ □ □ □ ■                          | 1/3 charged level |   |           |              |           |                   |           |                   |
| Wireless status LED indicator      | Blue (solid)      | Wireless device is ready  |           |              |           |                   |           |                   |
|                                    | Blue (blinking)   | Wireless device is communicating  |           |              |           |                   |           |                   |

| Keys | Function  |
|------|---|
|      | <ol style="list-style-type: none"> <li>Press and hold for 2-3 seconds to turn on the printer.</li> <li>Press and hold for 2-3 seconds to turn off the printer.</li> </ol> |
|      | <ol style="list-style-type: none"> <li>Feed one label when printer is ready.</li> <li>Pause the print job while printing.</li> </ol>                                      |

**Note: Wireless devices are optional.**

## Loading the Media

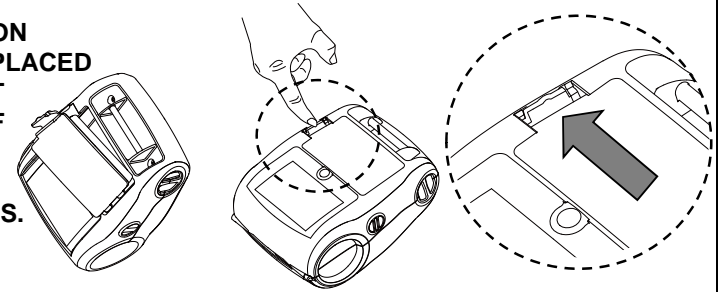


**Note:**  
The media holder should be positioned overlap the bold line and remain the media holder alignment indicator visible.

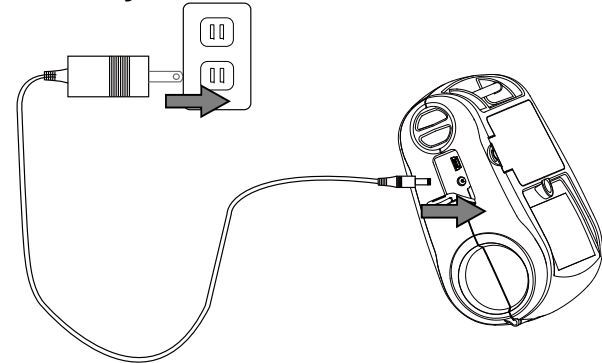
- \* For more information and features about this printer, please refer to the user's manual on the CD disk.
- \* Specifications, accessories, parts and programs are subject to change without notice.

## Install the Battery

**CAUTION**  
RISK OF EXPLOSION  
IF BATTERY IS REPLACED  
BY AN INCORRECT  
TYPE. DISPOSE OF  
USED BATTERIES  
ACCORDING TO  
THE INSTRUCTIONS.



## Charge the Battery



## Install the Belt Clip

