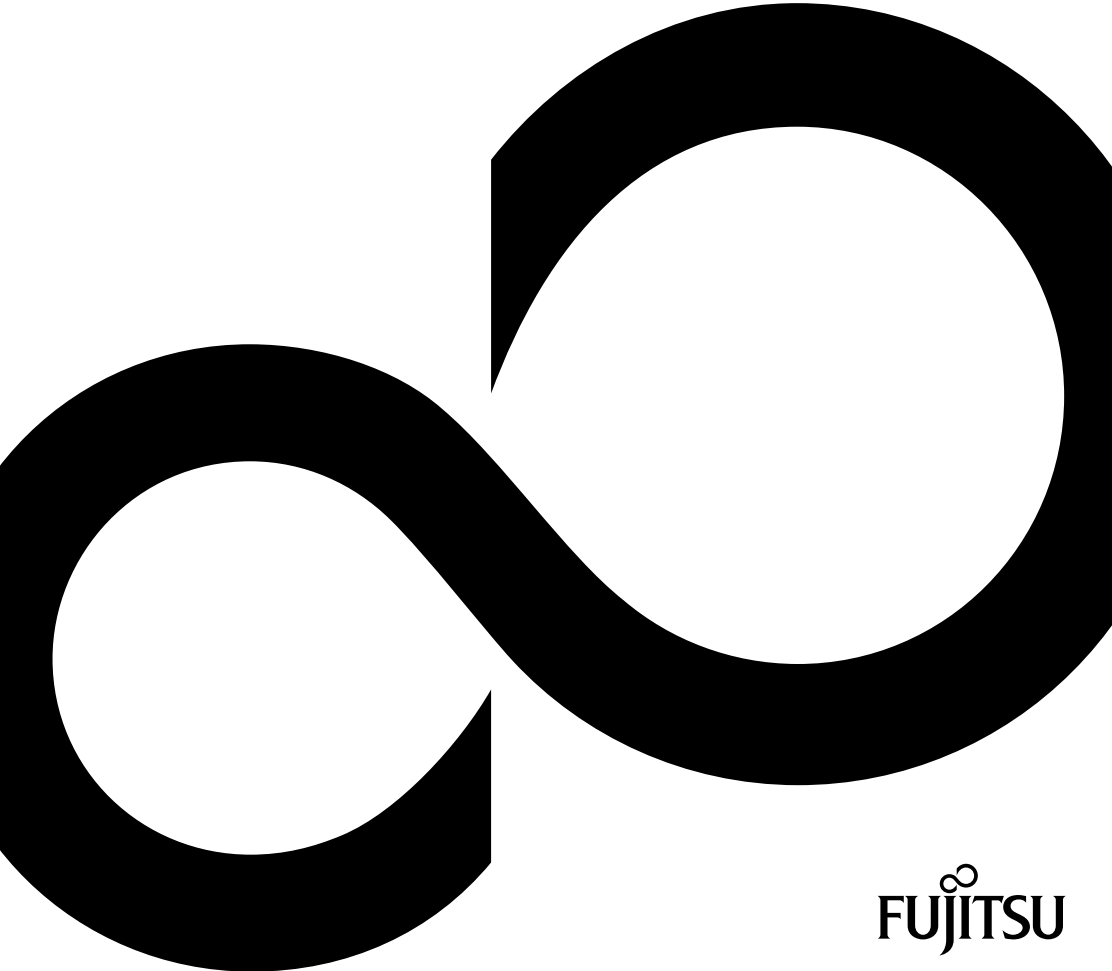


# FUJITSU Display L21T-1

---



# Congratulations on your purchase of an innovative product from Fujitsu.

Latest information about our products, tips, updates etc. can be found on the Internet at:  
*<http://www.fujitsu.com/fts/>*

For driver updates, please go to: *<http://support.ts.fujitsu.com/download>*

Should you have any technical questions, please contact:

- our Hotline/Service Desk (see Service Desk list or visit:  
*<http://support.ts.fujitsu.com/contact/service desk>*)
- your sales partner
- your sales office

We hope you enjoy working with your new Fujitsu system!





**Published by / Contact address in the EU**

Fujitsu Technology Solutions GmbH

Mies-van-der-Rohe-Straße 8

80807 Munich, Germany

*<http://www.fujitsu.com/fts/>*

**Copyright**

© Fujitsu Technology Solutions GmbH 2015. All rights reserved.

**Publication Date**

07/2015

Order No.: A26361-K1575-Z320-1-7619, edition 1

# **FUJITSU Display L21T-1**

## **Operating Manual**

<b>First Setup</b>	<b>2</b>
<b>Quick Installation</b>	<b>3</b>
<b>Installing the LCD</b>	<b>5</b>
<b>Front view of the product</b>	<b>7</b>
<b>Rear view of the product</b>	<b>8</b>
<b>Using On Screen Display (OSD)</b>	<b>9</b>
<b>Supporting Timing Modes</b>	<b>13</b>

**Remarks**

Information on the product description meets the design specifications of Fujitsu and is provided for comparison purposes. Several factors may cause the actual results to differ. Technical data is subject to change without prior notification. Fujitsu rejects any responsibility with regard to technical or editorial mistakes or omissions.

**Trademarks**

Fujitsu and the Fujitsu logo are registered trademarks of Fujitsu Limited or its subsidiaries in the United States and other countries.

Microsoft and Windows are trademarks or registered trademarks of the Microsoft Corporation in the United States and/or other countries.

VESA, DDC and DPMS are registered trademarks of Video Electronics Standards Association.

All other trademarks specified here are the property of their respective owners.

**Copyright**

No part of this publication may be copied, reproduced or translated without the prior written consent of Fujitsu.

No part of this publication may be saved or transferred by any electronic means without the written approval of Fujitsu.

---

# Contents

<b>First Setup</b> .....	<b>2</b>
<b>Quick Installation</b> .....	<b>3</b>
<b>Installing the LCD monitor</b> .....	<b>5</b>
Assembling the stand and base .....	5
Disassembling the stand and base.....	6
<b>Front view of the product</b> .....	<b>7</b>
<b>Rear view of the product</b> .....	<b>8</b>
<b>Using On Screen Display (OSD) functions</b> .....	<b>9</b>
Main Menu .....	9
Shortcut functions from the button(s) .....	10
Automatic adjustment.....	10
Adjusting brightness and contrast .....	10
Adjusting the input.....	10
Adjusting the audio functions .....	10
Adjusting the colour.....	11
Displaying information .....	11
Adjusting the image.....	11
Adjusting the OSD setup .....	12
Adjusting the factory settings .....	12
<b>Supporting Timing Modes</b> .....	<b>13</b>
Warning .....	13

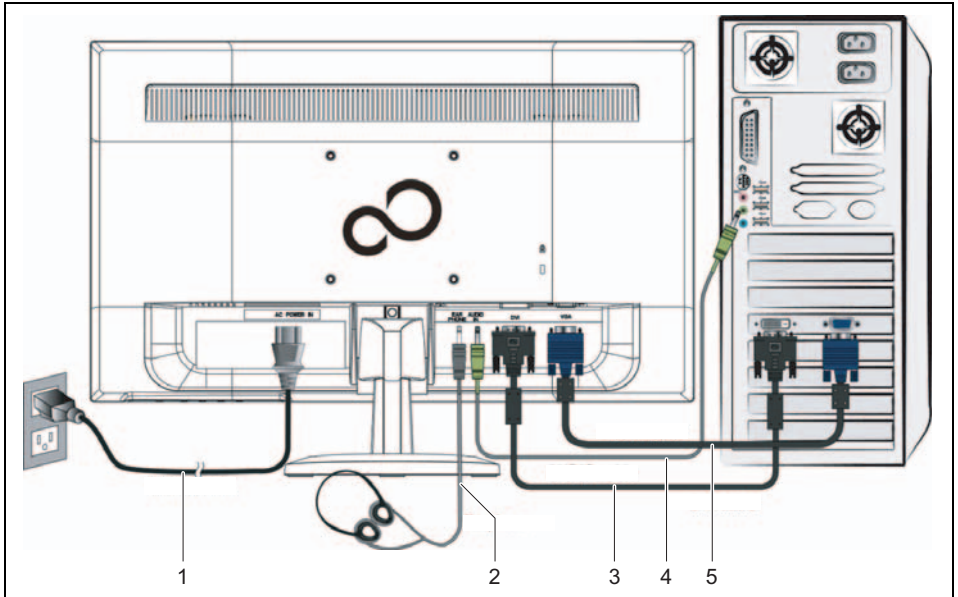
# First Setup

Congratulation for purchasing monitor! This monitor comes with the following accessories:

- Power cable
- Audio cable
- DVI cable (24 pin)
- Quick Start Guide
- Safety manual



# Quick Installation



1 = Power cable

2 = Headphones (optional)

3 = DVI cable

4 = AUDIO cable (optional)

5 = VGA cable

- ▶ Make sure that both monitor and computer are OFF.
- ▶ Connect the video cable (VGA cable) to the computer, then to the monitor.
- ▶ Connect the DVI cable from the DVI output on the computer to the DVI input on the monitor.
- ▶ Connect the power cable to a properly grounded AC outlet, then to the monitor.
- ▶ Connect the headphones to the headphone output terminal of the monitor (headphones sold separately).
- ▶ Connect the audio cable from the audio output of your computer to the audio input of the monitor.
- ▶ Turn the computer power on.
- ▶ Turn the monitor power on.

## Quick Installation

---

- ▶ Set the timing mode (resolution and refresh rate):

For Windows users

Example: 1920 x 1080 @ 60 Hz

*Resolution*

- Right-click on the Windows desktop and select *Screen Resolution*.
- Set the resolution.

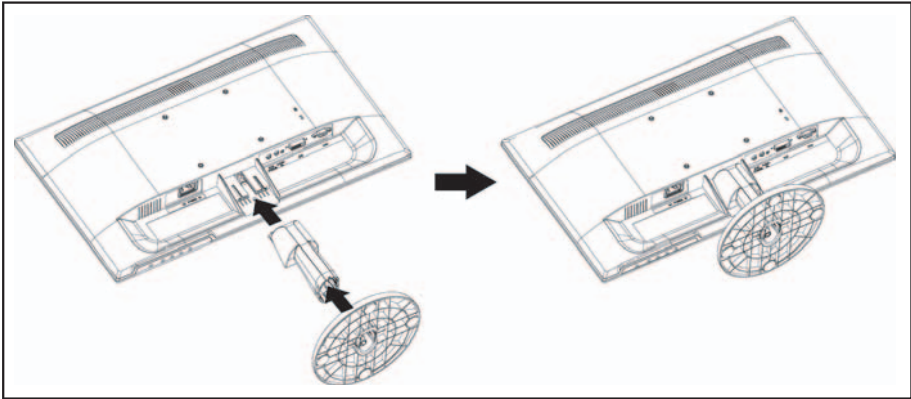
*Refresh rate* (vertical frequency)

- See your graphic card's user guide for instructions.

# Installing the LCD monitor

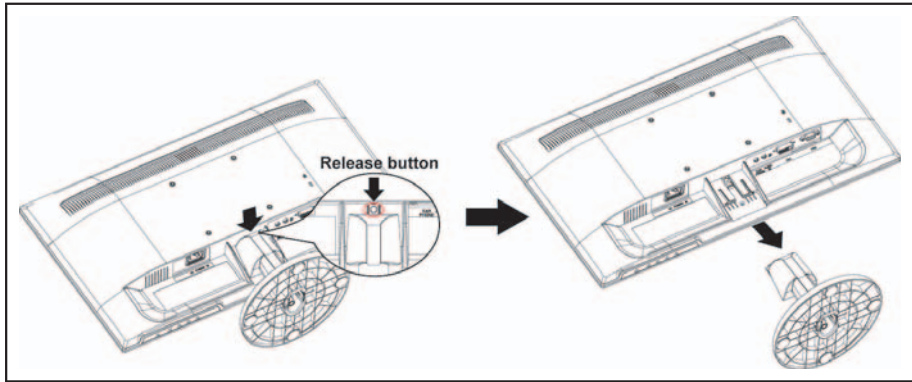
## Assembling the stand and base

- ▶ To prevent the monitor from being scratched, put a piece of soft cloth on the table on which the screen will be put.
- ▶ Lay the monitor flat on a table with the LED screen face down.
- ▶ Insert the stand and base into the monitor as shown below.
- ▶ Stand the LED LCD monitor on its base.

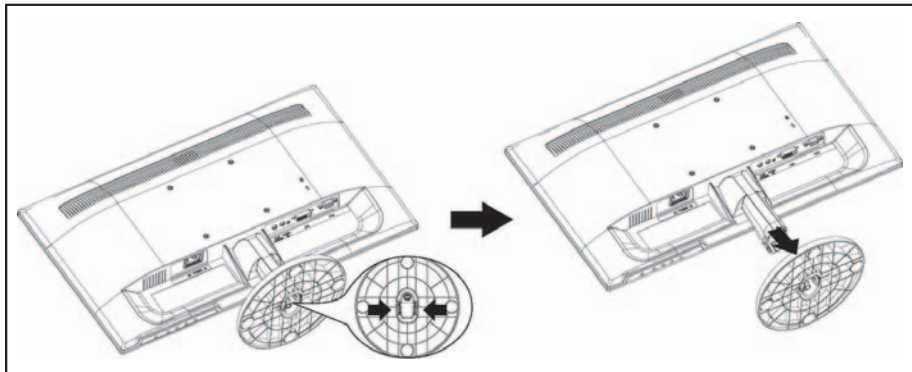


## Disassembling the stand and base

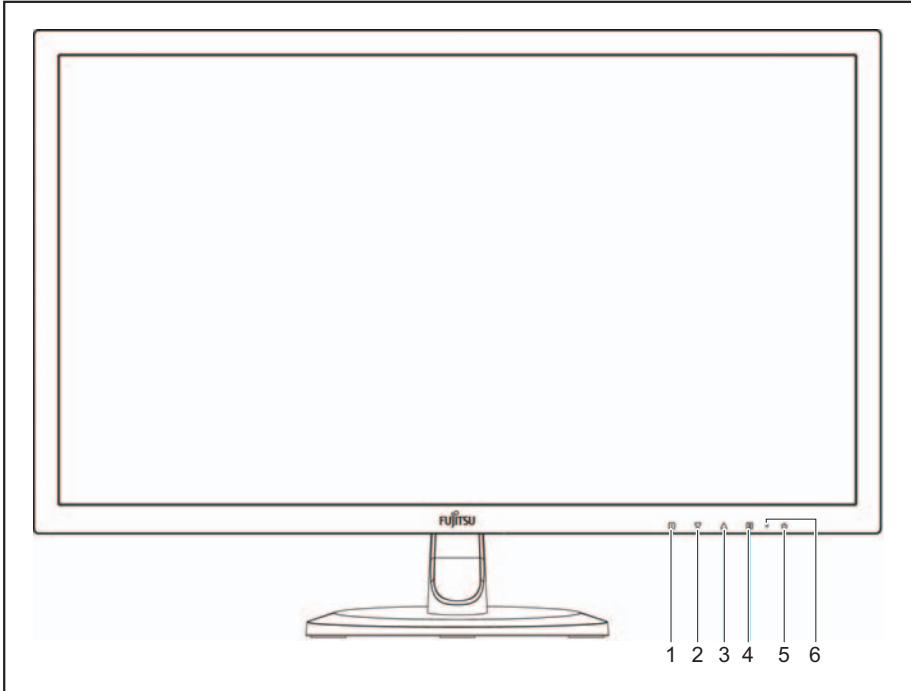
- ▶ To prevent the monitor from being scratched, put a piece of soft cloth on the table on which the screen will be put.
- ▶ Lay the monitor flat on a table with the LED screen face down.
- ▶ Press the release button and pull the stand away from the monitor.



- ▶ Push the tabs inwards and pull the base from the stand to remove.



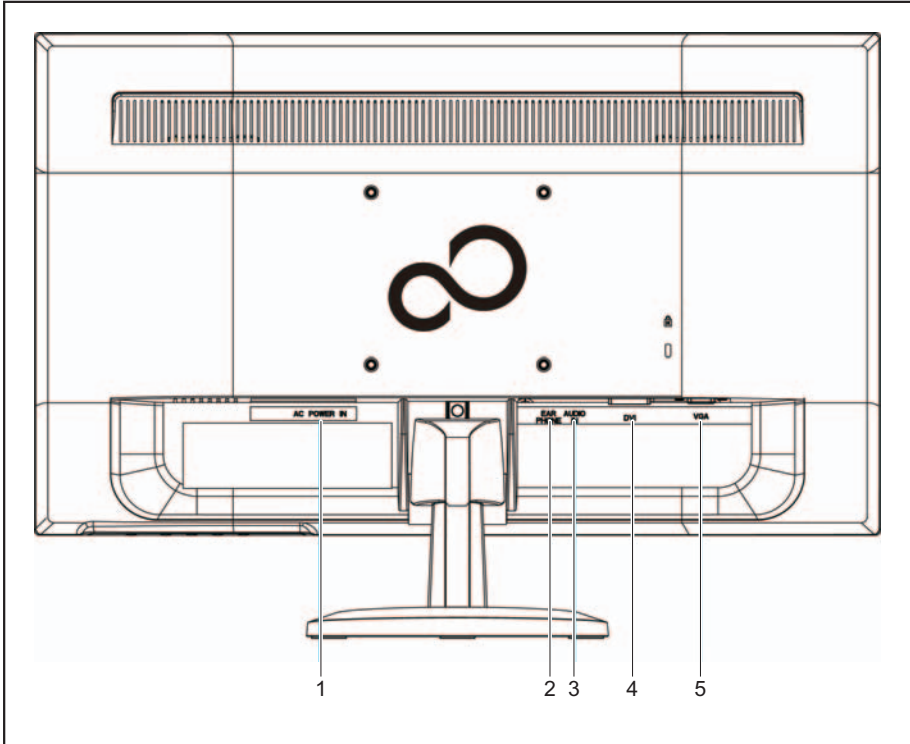
# Front view of the product



- 1 = OSD menu ON/OFF
- 2 = Scroll down / Decrease
- 3 = Scroll up/ Increase

- 4 = Confirm/Select
- 5 = Power ON/OFF
- 6 = LED indicator

## Rear view of the product



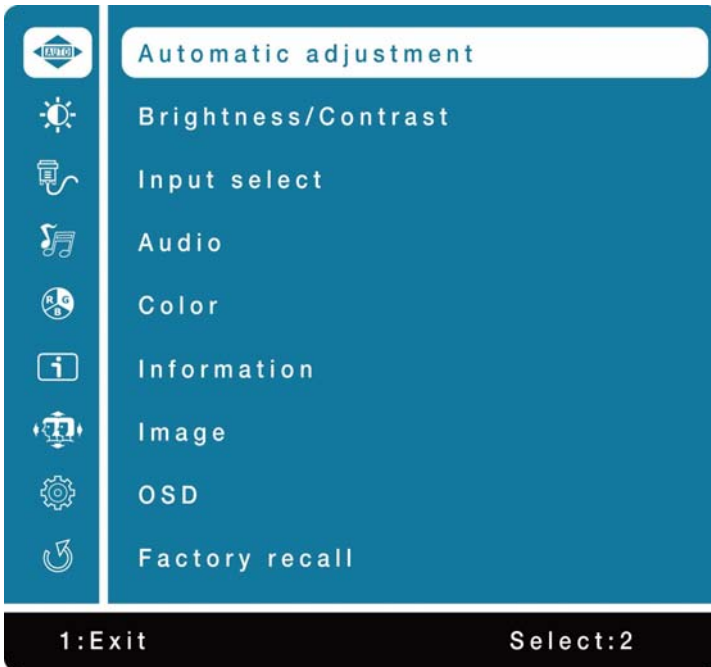
- 1 = Power input
- 2 = Headphone jack
- 3 = Audio input

- 4 = DVI input (DVI 24 pin)
- 5 = VGA input (D-Sub 15 pin)

# Using On Screen Display (OSD) functions


1	Displays main menu
	Exits OSD menu
2	Toggles between VGA or DVI
	Confirms selection
▼	Selects the desired item when in OSD menu
	When not in OSD menu, opens the Brightness/Contrast menu
▲	Selects the desired item when in OSD menu
	When not in OSD menu, directly enters Image Mode
1+▼	Power lock (when not in OSD menu)
1+▲	OSD lock (when not in OSD menu)

## Main Menu




## Shortcut functions from the button(s)


### Automatic adjustment

	Automatically adjusts Horizontal Position, Vertical Position, Phase (Fine Tune) and Clock (H. Size) of the screen.
--	--


### Adjusting brightness and contrast

	Calls up the <i>Brightness/Contrast</i> setting window
<i>Contrast</i>	Adjusts the contrast of the screen. ▲: Increase contrast. ▼: Decrease contrast.
<i>Brightness</i>	Adjusts the brightness of the screen. ▲: Increase brightness. ▼: Decrease brightness.
<i>ACR</i>	Allows the user to turn ACR on or off. Brightness adjustment and ECO are disabled when ACR is active.
<i>ECO</i>	Allows the user to turn ECO on or off. Brightness adjustment and ACR are disabled when ECO is active.

### Adjusting the input


	When <i>Input Select</i> is selected, change the input signal to VGA or DVI.
---	--

### Adjusting the audio functions


	Adjusts the <i>audio</i> functions.
<i>Volume</i>	Adjusts the speaker output volume.
<i>Mute</i>	Turns the Mute on or off.




## Adjusting the colour

	Selects the <i>color</i> to improve brightness and colour saturation between 9300K, 6300K, 5400K and customer colour.
9300K	Adds more blue to the picture, for a cooler white.
6300K	Adds more red to the picture, for a warmer white and richer reds.
5400K	Adds more green to the picture, for darker tones.
Customer color	Individual adjustments for red (R), green (G), blue (B). <ul style="list-style-type: none"> <li>▶ Press button <b>2</b> to select the desired colour.</li> <li>▶ Press the <b>▲</b> or <b>▼</b> button to adjust the selected colour.</li> </ul>

## Displaying information

	Displays the <i>information</i> regarding the current input signal coming from the graphic card in your computer. <b>Note:</b> See your graphic card user guide for more information about changing the resolution and refresh rate.
--	---

## Adjusting the image


	Manually adjusts the H./V. position, horizontal size, phase, sharpness, expansion and mode
H./V. Position	Adjusts the horizontal and vertical position of the image.
H. Position	▲: Move screen to the right. ▼: Move screen to the left.
V. Position	▲: Move screen up. ▼: Move screen down.
Horizontal size	Adjusts the width of the screen image. ▲: Increase the width of screen image. ▼: Decrease the width of screen image.
Phase	Adjusts the delay time of data and clock. Press <b>▲</b> or <b>▼</b> to adjust to your preference.
Sharpness	Adjusts the clarity of a non-Full HD resolution (1920 x 1080) signal with the <b>▲</b> or <b>▼</b> button.
Expansion	Toggles the video mode between Full Screen or Aspect Ratio
Full Screen	Selects full-screen image.
KeepAspect	Selects input timing image size.

## Using On Screen Display (OSD) functions



---

<i>Mode</i>	Provides an optimum display environment depending on the contents displayed. It contains 5 user-selectable presets.
<i>Standard</i>	is for the general Windows environment and the monitor default setting.
<i>Game</i>	optimised for a PC game environment
<i>Video</i>	optimised for a movie and video environment.
<i>Landscape</i>	optimised to display outdoor scenery images.
<i>Text</i>	optimised for text editing and viewing in a word processing environment

### Adjusting the OSD setup

	Sets Language, OSD Position, OSD time Out and OSD Background.
<i>Language</i>	Allows users to choose from the languages available.
<i>OSD Position</i>	Press the ▲ or ▼ button to toggle between horizontal and vertical OSD position adjustment.
<i>H. Position</i>	Horizontally adjusts the OSD position. ▲: Move OSD to the right. ▼: Move OSD to the left.
<i>V. Position</i>	Vertically adjusts the OSD position. ▲: Move OSD up. ▼: Move OSD down.
<i>OSD time Out</i>	Automatically turns off On Screen Display (OSD) after a preset period of time.
<i>OSD Background</i>	Allows the user to turn the OSD background ON or OFF.

### Adjusting the factory settings

	Restores factory settings for Video or Audio controls. Press button  to select the Memory Recall menu option.
--	---

# Supporting Timing Modes

Resolution	Refresh rate
640 x 480	60/67/72/75Hz
720 x 400	70 Hz
800 x 600	60/75 Hz
832 x 624	75 Hz
1024 x 768	60//70/75 Hz
1280 x 800	60 Hz
1280 x 960	60 Hz
1280 x 1024	60/75 Hz
1152 x 864	75 Hz
1152 x 870	75 Hz
1440 x 900	60/75 Hz
1600 x 1200	60 Hz
1680 x 1050	60 Hz
1920 x 1080	60 Hz



Do not set the graphic card in your computer to exceed these maximum refresh rates. Doing so may result in permanent damage to your monitor.

## Warning



This display is equipped with a glossy front bezel.

Please consider the placement of the display as the front bezel may cause reflections from surrounding light and bright surfaces.