

Samsung Hospitality Displays

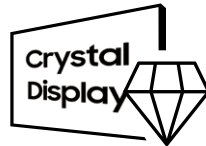
HT670U Series (NA)

Highlights

- Elevate content to UHD resolution through upscaling technology
- Improve picture clarity and detail with HDR10+ refinement
- Quickly create and share personalized and promotional messaging
- Allow guests to manage in-room settings within an intuitive home menu
- Gauge and address maintenance needs in anticipation of guest requests
- Build compatible web applications within the powerful TIZEN OS



Crisp and vivid color expression



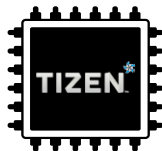
Crystal Display ensures optimized color expression so guests can experience every subtle detail, immersing themselves in any content with a wider range of colors.

Refined picture quality



Beyond consistent UHD quality, Samsung's displays bring the power of High Dynamic Range (HDR10+) picture refinement to any hotel room. Using dynamic metadata that fine-tunes each frame within a given program, HDR10+ technology delivers an optimal, detail-rich and memorable viewing experience.

Powerful performance, enhanced security



Backed by the powerful TIZEN operating system, Samsung hospitality displays ensure secure content delivery across the application, platform and system layers.

End-to-end personalized service



Hotels additionally can use LYNK REACH 4.0 to deliver customized guest messaging. Upon arrival, guests can receive a personalized greeting along with information about promotions or on-site amenities relevant to their stay. LYNK REACH 4.0 also provides express check-out for added convenience.

Additional features

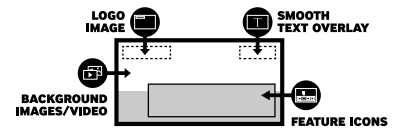
- Plug and Play
- LYNK DRM
- Sound Bar Compatibility
- SI Compatibility
- Security Mode
- Swivel Stand
- ISTA

UHD-quality content delivery



Samsung's hospitality displays offer hotel guests the vivid picture quality of home entertainment systems. Through UHD upscaling technology, these refined displays showcase all content at UHD resolution (3,840 x 2,160), with four times the pixels of the FHD standard.

A tailored home menu



Each Samsung hospitality display includes an intuitive, customizable home menu that streamlines content exchange between hotels and guests. Content managers can easily incorporate images, logos and feature icons specific to guest needs while reinforcing special offers and hotel branding.

Centralized, real-time management



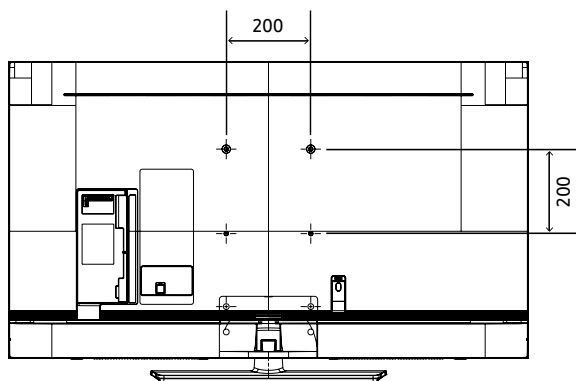
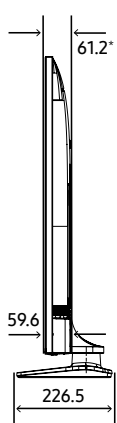
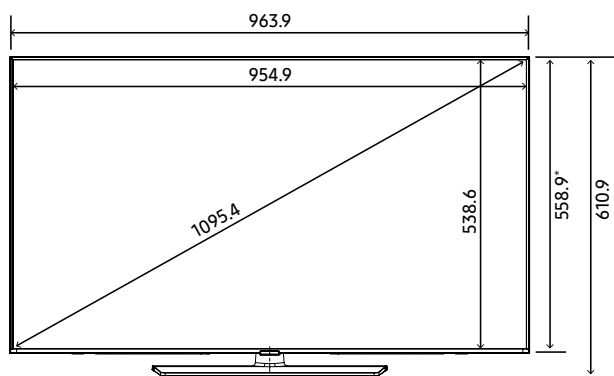
Compatible with existing LAN, Wi-Fi and coaxial infrastructures, Samsung's LYNK REACH 4.0 content platform centralizes and streamlines overall hotel maintenance. Hotel managers now can remedy issues across single displays or display groups before they escalate.

Specifications

Model		HG43NT670UFXZA	HG50NT670UFXZA	HG55NT670UFXZA	HG65NT670UFXZA
Display	Backlight	LED	LED	LED	LED
	Screen Size	43	50	55	65
	Resolution	3,840 x 2,160	3,840 x 2,160	3,840 x 2,160	3,840 x 2,160
Video	Picture Engine	UHD Mastering Engine	UHD Mastering Engine	UHD Mastering Engine	UHD Mastering Engine
	Auto Motion Plus	Yes	Yes	Yes	Yes
	Film Mode	Yes	Yes	Yes	Yes
	Natural Mode Support	Yes	Yes	Yes	Yes
	Motion Rate	120	120	120	120
	PQI (Picture Quality Index)	1300	1300	1300	1300
	HDR(High Dynamic Range)	HDR	HDR	HDR	HDR
	HDR10+	Yes	Yes	Yes	Yes
	HLG (Hybrid Log Gamma)	Yes	Yes	Yes	Yes
	Contrast	Mega Contrast	Mega Contrast	Mega Contrast	Mega Contrast
	Color	PurColor	PurColor	PurColor	PurColor
	Viewing Angle (H/V)	178/178	178/178	178/178	178/178
Audio	Contrast Enhancer	Yes	Yes	Yes	Yes
	Dolby Digital Plus	Yes	Yes	Yes	Yes
	WSound Output (RMS)	20W	20W	20W	20W
	Speaker Type	2CH	2CH	2CH	2CH
VESA	VESA Mount	200 x 200 mm	200 x 200 mm	200 x 200 mm	400 x 300 mm
	VESA Screw Size	M8	M8	M8	M8
General Feature	VESA Screw Depth	20-22	20-22	20-22	20-22
	Accessibility	US English	US English	US English	US English
	Digital Clean View	Yes	Yes	Yes	Yes
	Auto Channel Search	Yes	Yes	Yes	Yes
	Auto Power Off	Yes	Yes	Yes	Yes
	Caption (Subtitle)	Yes	Yes	Yes	Yes
	Connect Share™ (HDD)	Yes	Yes	Yes	Yes
	ConnectShare™ (USB 2.0)	Yes	Yes	Yes	Yes
	EPG	Yes	Yes	Yes	Yes
	Game Mode	Yes	Yes	Yes	Yes
	OSD Language	English, Spanish, French, Estonian, Finnish, German, Greek, Hungarian, Italian, Latvian, Lithuanian, Norwegian, Polish, Portuguese, Romanian, Serbian, Slovak, Swedish, Bulgarian, Croatian, Czech, Danish, Dutch, Slovenian, Albanian, Macedonian, Bosnian, Korean			
	USB HID Support	Yes	Yes	Yes	Yes
	V-Chip	Yes	Yes	Yes	Yes
	System	Digital Broadcasting	ATSC/ClearQAM	ATSC/ClearQAM	ATSC/ClearQAM
Analog Tuner		Yes	Yes	Yes	Yes
Samsung LYNK™ REACH (RF)		REACH 4.0	REACH 4.0	REACH 4.0	REACH 4.0
Hospitality Home Menu		Home Menu 2017	Home Menu 2017	Home Menu 2017	Home Menu 2017
Hospitality Plug&Play (Easy Set-up)		Yes	Yes	Yes	Yes
Auto Source Mode		Yes	Yes	Yes	Yes
Power On Mode		Yes	Yes	Yes	Yes
Hotel Channel List		Yes	Yes	Yes	Yes
Channel Menu Display		Yes	Yes	Yes	Yes
Mixed Channel List (ATSC, DVB-T/T2/C/S2, Analog)		Yes	Yes	Yes	Yes
My Channel		Yes	Yes	Yes	Yes
Energy Saving Mode (BLU Control)		Yes	Yes	Yes	Yes
Logo Display with Time Out Setting (BMP/Movie)		Yes	Yes	Yes	Yes
Welcome Message		Yes	Yes	Yes	Yes
RJ12/IR Pass Through		Yes	Yes	Yes	Yes
External Clock Compatibility		No	No	No	No
Clock Back Up Supply		Yes	Yes	Yes	Yes
External Clock Dimming Control		No	No	No	No
Multi Code Remote Control		Yes	Yes	Yes	Yes
Screwed Remote Battery Cover		Yes	Yes	Yes	Yes
Soundbar Compatibility		Yes	Yes	Yes	Yes
Music Mode (Input: PC/AV/Component/HDMI)		Yes	Yes	Yes	Yes
TTX Clock Update (Analogue)		No	No	No	No
USB Cloning		Yes	Yes	Yes	Yes
Smovie Compatibility		Yes	Yes	Yes	Yes
On/Off Timer (Schedule)		Yes	Yes	Yes	Yes
Wake-up Timer (Alarm)		Yes	Yes	Yes	Yes
Samsung LYNK™ DRM		Yes	Yes	Yes	Yes
bLAN		No	No	No	No
Security Mode		Yes	Yes	Yes	Yes
S/W EPG (Solution EPG)	Yes	Yes	Yes	Yes	
IP Over Coax	No	No	No	No	
Input & Output	HDMI (Side/Rear)	3/0	3/0	3/0	3/0
	USB (Side/Rear)	2	2	2	2
	RF In (Terrestrial / Cable input) (Side/Rear)	1/1(Common Use for Terrestrial)/0	1/1(Common Use for Terrestrial)/0	1/1(Common Use for Terrestrial)/0	1/1(Common Use for Terrestrial)/0
	Ex-Link (RS-232C)	1	1	1	1
	HDMI A / Return Ch. Support	Yes	Yes	Yes	Yes
	Anynet+ (HDMI-CEC)	Yes	Yes	Yes	Yes
	Pillow Speaker Jack (Side/Rear)	No	No	No	No
	RJ12 (Side/Rear)	0/1	0/1	0/1	0/1
	RJP (Remote Jackpack) (Side/Rear)	0/1	0/1	0/1	0/1
	Door-Eye Control (Side/Rear)	No	No	No	No
	Door-Eye Video In (Side/Rear)	No	No	No	No
	PC In (D-sub) (Side./Rear)	No	No	No	No
PC/DVI Audio In (Mini Jack) (Side./Rear)	No	No	No	No	
Design	Front Color	BLACK	BLACK	BLACK	BLACK
	Stand Type	SQUARE	SQUARE	SQUARE	SQUIM FEET
	Bezel Type	3 Bezel-less	3 Bezel-less	3 Bezel-less	3 Bezel-less
Eco	ENERGY STAR (Latest effective version)	Yes	Yes	Yes	Yes
	Eco Sensor	Yes	Yes	Yes	Yes
Power	Power Supply (V)	AC110-120V 50/60Hz	AC110-120V 50/60Hz	AC110-120V 50/60Hz	AC110-120V 50/60Hz
	Power Consumption (Max)	105 W	135 W	135 W	190 W
	Power Consumption (Stand-by)	0.5 W	0.5 W	0.5 W	0.5 W
	Power Consumption (Typical)	51 W	61 W	62 W	80 W
Dimension	Set Dimension without Stand (WxHxD)	963.9 x 558.9 x 59.6 mm	1116.8 x 644.2 x 59.9 mm	1230.5 x 707.2 x 59.9 mm	1449.4 x 830.3 x 59.9 mm
	Set Dimension with Stand (WxHxD)	963.9 x 610.9 x 226.5 mm	1116.8 x 696.8 x 226.5 mm	1230.5 x 759.8 x 226.5 mm	1449.4 x 906.6 x 282.1 mm
	Package Dimension (WxHxD)	1183 x 670 x 143 mm	1357 x 780 x 152 mm	1467 x 843 x 158 mm	1606 x 963 x 184 mm
Weight	Set Weight without Stand	8.6 kg	11.9 kg	14.3 kg	21.1 kg
	Set Weight with Stand	11.8 kg	15.1 kg	17.5 kg	21.4 kg
	Package Weight	15.0 kg	19.3 kg	22.8 kg	29.5 kg
Accessory	Remote Controller Model	TM1240A	TM1240A	TM1240A	TM1240A
	Batteries (for Remote Control)	Yes	Yes	Yes	Yes
	Mini Wall Mount Supported	Yes	Yes	Yes	Yes
	Vesa Wall Mount Supported	Yes	Yes	Yes	Yes
	Power Cable	Yes	Yes	Yes	Yes
	Quick Install Guide	Yes	Yes	Yes	Yes
	Data Cable	Yes	Yes	Yes	Yes
	Stand Mount Kit	Yes	Yes	Yes	Yes
	Security Screws (Stand Base)	Yes	Yes	Yes	Yes
	PureCare Remote(Seamless White Remote)	No	No	No	No
Angle Adaptor (for Side RF tuner)	No	No	No	No	

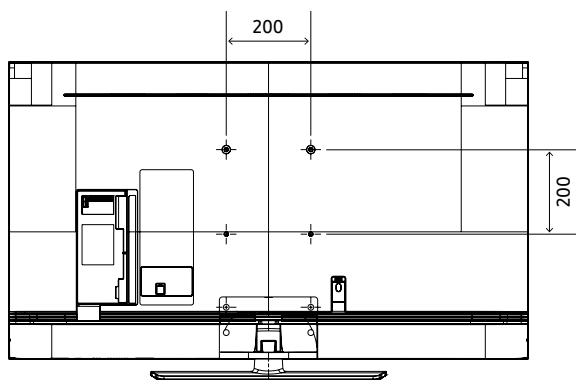
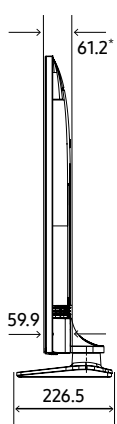
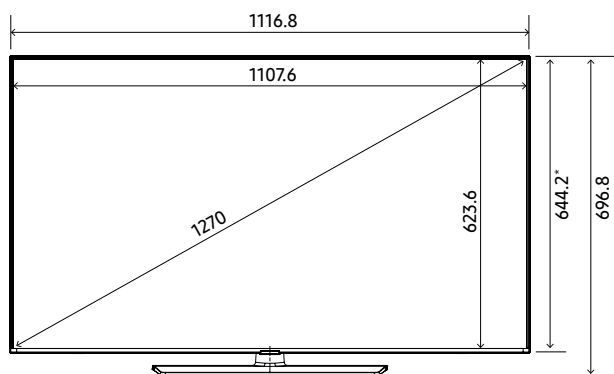
Specifications

43"



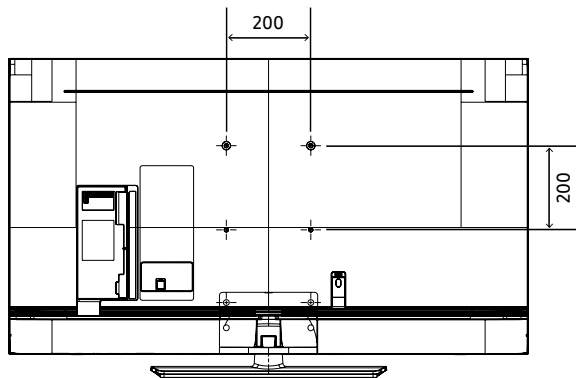
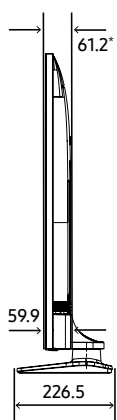
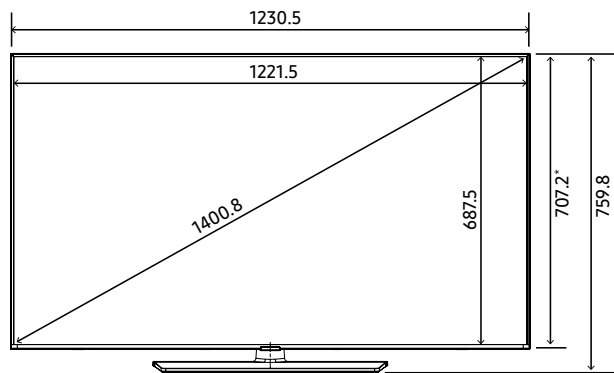
* Including logo

50"



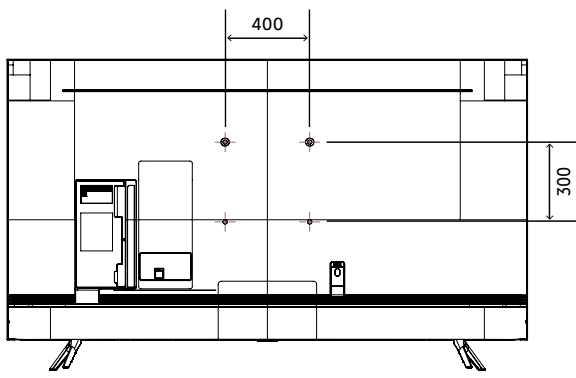
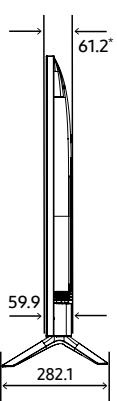
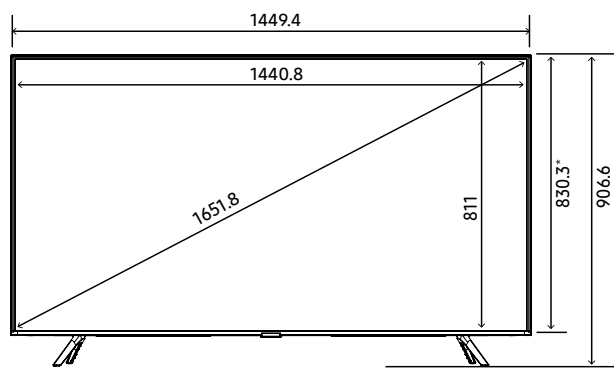
* Including logo

55"



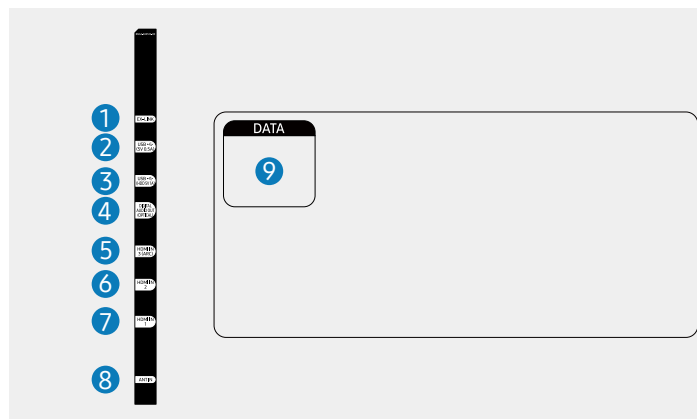
* Including logo

65"



* Including logo

Specifications



The diagram shows the back panel of a Samsung Hospitality Display. On the left side, there is a vertical strip of eight connectors, numbered 1 through 8 from top to bottom. On the right side, there is a larger rectangular panel with a 'DATA' port at the top, numbered 9. The connectors are: 1. EX-LINK, 2. USB (5V 0.5A), 3. USB (HDD 5V 1A), 4. DIGITAL AUDIO OUT (OPTICAL), 5. HDMI IN 3 (ARC), 6. HDMI IN 2, 7. HDMI IN 1, 8. ANT IN, and 9. DATA.

Connectors

1. EX-LINK
2. USB (5V 0.5A)
3. USB (HDD 5V 1A)
4. DIGITAL AUDIO OUT (OPTICAL)
5. HDMI IN 3 (ARC)
6. HDMI IN 2
7. HDMI IN 1
8. ANT IN
9. DATA

About Samsung Electronics Co., Ltd.

Samsung Electronics Co., Ltd. inspires the world and shapes the future with transformative ideas and technologies. The company is redefining the worlds of TVs, smartphones, wearable devices, tablets, cameras, digital appliances, medical equipment, network systems, and semiconductor and LED solutions. For the latest news, please visit Samsung Newsroom at <http://news.samsung.com>

Hospitality Display

For more information about Samsung Hospitality Displays, visit www.samsung.com/business or www.samsung.com/displaysolutions

Copyright © 2020 Samsung Electronics Co. Ltd. All rights reserved. Samsung is a registered trademark of Samsung Electronics Co. Ltd. Specifications and designs are subject to change without notice. Non-metric weights and measurements are approximate. All data were deemed correct at time of creation. Samsung is not liable for errors or omissions. All brand, product, service names and logos are trademarks and/or registered trademarks of their respective owners and are hereby recognized and acknowledged.

Samsung Electronics Co., Ltd.
416, Maetan 3-dong, Yeongtong-gu, Suwon-si, Gyeonggi-do 443-772, Korea

2020-07

SAMSUNG