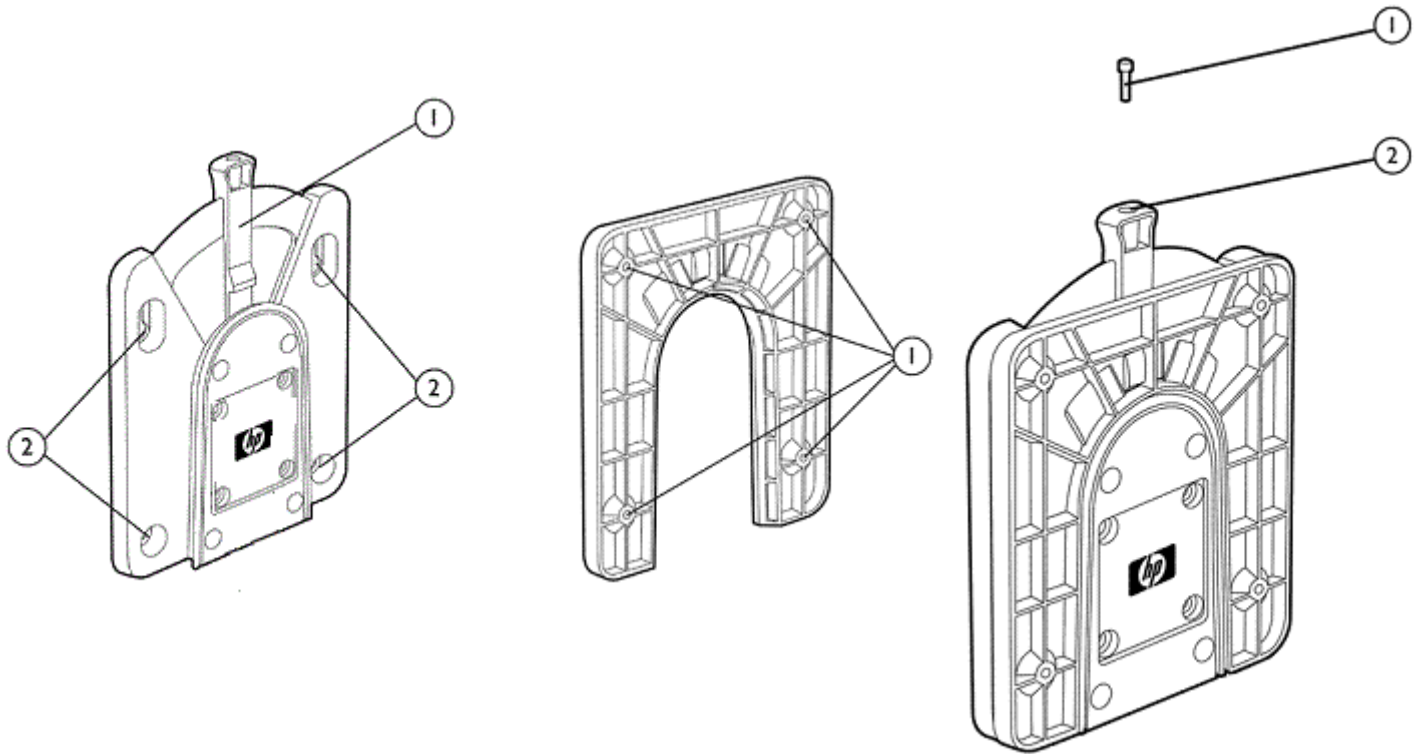


Overview



- 1. Release/locking
- 2. Four 100 mm VESA mount screw holes

- 1. Four 100 mm VESA mount screw holes

- 1. Locking pin screw
- 2. Locking pin hole on release/locking arm

Models

Part Numbers:
HP Quick Release: EM870AA

Introduction

HP offers a variety of optional products (each sold separately) designed to complement our monitors and enhance the overall computing experience. The HP Monitor Quick Release is designed for use with 100 mm VESA-compatible flat panel monitors.

HP Quick Release is an easy to use, 100 mm VESA-compliant, LCD monitor mounting solution that allows you to quickly and securely attach a flat panel monitor to a variety of stands, brackets, arms or wall mounts. HP Quick Release can also be used for mounting any combination of devices that are compatible with the 100 mm VESA Flat Display Mounting Interface Standard. The failsafe "Sure-Lock" mechanism snaps the monitor (or mounted device) securely in place, and can be further secured with a theft-deterrent security screw.

Overview

Uniquely flexible product configurations

HP Quick Release enables uniquely flexible product configuration alternatives in a variety of settings, such as:

- Storefronts/kiosks: Mount flat panel monitors for easy viewing and add touchscreens for interactivity.
- Trade shows: Securely mount LCD TVs or monitors in common areas and quickly remove them for safekeeping at the end of the day.
- Front office environments: Minimize desk space requirements with wall or swing-arm mounting of monitors in reception areas.
- Training labs: Mount a monitor directly on a 100 mm VESA-compatible PC such as the HP Compaq 8200 Elite USDT or an HP Thin Client for all-in-one convenience.
- Medical/institutional settings: Securely mount monitors in nursing stations and public areas.
- Conference rooms: Mount projectors (with 100 mm VESA-compliant pre-drilled holes) on ceilings, and monitors on walls or tables.

Compatibility

The HP LCD Monitor Quick Release is designed to integrate with select HP flat panel monitors, in configurations as noted below, as well as HP Thin Clients or an HP USDT PC.

Compatible HP LCD monitor mounting scenarios	Direct mounting of monitor to wall	Direct mounting of monitor to mounting arm or bracket	Direct attachment of select thin client products or HP USDT to the back of IWC stand	Mounting of select thin client products or HP USDT between monitor and wall***	Mounting of select thin client products or HP USDT between monitor and mounting arm or bracket ***
ProDisplay					
All ProDisplay Series Products are compatible with the HP Quick Release	EM870AA*	EM870AA*	IWC USDT stand (LH526AA)	EM870AA*	EM870AA*
LE1852ms	EM870AA*	EM870AA*	IWC stand (LH526AA)	EM870AA*	EM870AA*
EliteDisplay					
All EliteDisplay Series Products are compatible with the HP Quick Release	EM870AA*	EM870AA*	IWC USDT stand (LH526AA)	EM870AA*	EM870AA*
Business Touchscreen & Specialty Monitors					
L2206tm, S230tm	EM870AA*	EM870AA*	IWC USDT stand (LH526AA)	EM870AA*	EM870AA*
E221c, L2311c, L2401x	EM870AA*	EM870AA*	IWC USDT stand (LH526AA)	EM870AA*	EM870AA*
*Requires removal of the monitor head from the monitor stand prior to mounting HP Quick Release.					
**Requires use of a second HP Quick Release attached to the base of the monitor stand.					
***Requires two separate Quick Release devices.					
Performance Monitors					

Overview

ZR2040w, ZR2240w, ZR2330w, Z22i, Z23i, Z24i, ZR2440w, LP2480zx, ZR30w

Value Monitors

V201, V241, V241a

COMPATIBLE THIN CLIENTS

t310 (requires VESA mount), t410, t510, t5335z, t5550, t5565, t5565z, t5570, t5570e, t5400, T5740, t5740e, t5745, t610, t610PLUS.

COMPATIBLE PC

HP Ultra-Slim Desktop PC

Service and Support

Your Option Limited Warranty is a one (1) year (HP Option Limited Warranty Period) parts replacement warranty on any HP-branded or Compaq-branded options (HP Options). If your HP Option is installed in an HP Hardware Product, HP may provide warranty service either for the HP Option Limited Warranty Period or the remaining Limited Warranty Period of the HP Hardware Product in which the HP Option is being installed, whichever period is the longer but not to exceed three (3) years from the date you purchased the HP Option.

Technical specifications (EM870AA)

Mechanical	Dimensions (H x W x D)	Packaged:	7.8 x 6.25 x 1.5 in (19.8 x 15.9 x 3.8 cm)
		Unpackaged:	6.3 x 5.2 x 0.65 in (16 x 13.2 x 1.65 cm)
	Weight	Packaged:	1.1 lb (0.49 kg)
		Unpackaged:	0.82 lb (0.37 kg)
Additional components	<ul style="list-style-type: none">● Eight 10 mm mounting screws (for attachment to VESA compliant monitor mounts)● Eight 15.5 mm mounting screws (for attachment to HP thin client products)● Four 20 mm mounting screws (for attachment to back of select HP flat panel monitor stands)● One Quick Release "locking" screw● 2mm and 7mm spacers<ul style="list-style-type: none">○ 2 mm spacer accommodates:<ul style="list-style-type: none">■ Advantage: LA2006x, LA2206x, LA2206xc, LA2306x■ Specialty: L2311c○ 7 mm spacer accommodates:<ul style="list-style-type: none">■ ZR2240W, ZR2440W, Z24i		
Color	Black		
Notes:	<ol style="list-style-type: none">1. No HP monitors allow positioning of a thin client product between a monitor screen and its stand.2. The Quick Release device is not to be used between a monitor screen and its stand unless provided that way from the factory.3. Under no circumstances is the Quick Release device intended to be used in an orientation where the Release/Lock lever is oriented downward.		
Supported weight capacity	<p>The HP Quick Release has been designed to support a maximum of up to 24 lbs (10.9 kg) depending upon the mounting configuration used. Please note this is a total weight limit for all devices mounted, i.e. the combined weight of the monitor and a second device such as an HP thin client product cannot exceed 24 pounds. Because mounting surfaces vary widely and the final mounting method and configuration may vary, mounting fasteners are not supplied (other than the VESA-compliant screws). HP recommends that you consult with a qualified engineering, architectural or construction professional to determine the appropriate type and quantity of mounting fasteners required for your application and to ensure that your mounting solution is properly installed to support applied loads.</p>		

© 2009-2014 Hewlett-Packard Development Company, L.P. HP shall not be liable for technical or editorial errors or omissions contained herein. The information is provided as is without warranty of any kind and is subject to change without notice. The warranties for HP products are set forth in the express limited warranty statements accompanying such products. Nothing herein should be construed as constituting an additional warranty. All performance specifications are provided by the component manufacturer. Performance specifications represent component manufacturer averages and actual performance may vary.