

Operating and installation instructions

Frost free fridge freezer



To avoid the risk of accidents or damage to the appliance, it is **essential** to read these instructions before it is installed and used for the first time.

Caring for the environment

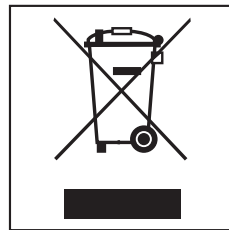
Disposing of the packaging materials

The packaging is designed to protect the appliance from damage during transportation. The packaging materials used are selected from materials which are environmentally friendly for disposal and should be recycled.

Recycling the packaging reduces the use of raw materials in the manufacturing process and also reduces the amount of waste in landfill sites.

Disposing of your old appliance





Electrical and electronic appliances often contain valuable materials. They also contain materials which, if handled or disposed of incorrectly, could be potentially hazardous to human health and to the environment. They are, however, essential for the correct functioning of your appliance. Please do not therefore dispose of it with your household waste.



Please dispose of it at your local community waste collection / recycling centre.

Take care not to damage the pipework at the back of it before or during transportation to an authorised collection depot. In this way, refrigerant in the pipework and oil in the compressor will be contained, and will not leak into the environment.

Please ensure that your old appliance presents no danger to children while being stored awaiting disposal. See "Warning and Safety instructions" for more information.

Caring for the environment	2
Guide to the appliance	6
Optional accessories	9
Bottle rack	9
Warning and Safety instructions	10
How to save energy	19
Switching on and off	21
Operating the appliance	22
Switching on	22
Switching off	23
To switch the refrigerator section off separately	23
To switch the refrigerator section on again	24
Switching off the appliance in Sabbath mode	24
Switching off for longer periods of time	24
The correct temperature	25
. . . in the refrigerator section	25
. . . in the freezer section	25
Temperature display	26
Setting the temperature	26
Using Super cool, Super freeze and Dynamic cooling	28
Super cool	28
Super freeze	29
Dynamic cooling	30
Temperature and door alarm	32
Temperature alarm	32
Door alarm	33
Selecting further settings	34
Safety lock 	34
Acoustic signals 	35
Display brightness 	36
Sabbath mode 	37
Storing food in the refrigerator	39
Different storage zones	39
Food which is not suitable for storing in the refrigerator	40
When shopping for food	41

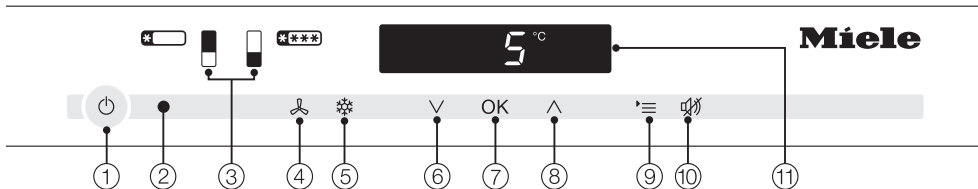
Contents

Storing food correctly	41
Fruit and vegetables	41
Protein rich foods	41
Adjusting the interior fittings	42
Adjusting the door shelf/bottle shelf	42
Moving the bottle holder	42
Adjustable shelves / Adjustable shelves with LED lighting	42
Moving the adjustable shelves / adjustable shelves with LED lighting	42
Adjusting the bottle rack	43
Freezing and storing food	44
Maximum freezing capacity	44
Freezing fresh food	44
Storing frozen food	44
Home freezing	45
Hints on home freezing	45
Packaging	45
Before placing food in the freezer section	46
Placing food in the freezer section	46
Defrosting	47
Ice cubes	47
Cooling drinks	47
Cool pack	48
Defrosting	49
Refrigerator section	49
Cleaning and care	50
Adjustable shelves / Adjustable shelves with LED lighting	51
Cleaning the interior and accessories	52
Door seals	53
Ventilation gaps	53
Problem solving guide	55
Noises	64
Miele@home	65
After Sales / Guarantee	67
Guarantee: U.K.	67
Guarantee: Other countries	67

Information for test institutes	68
Information for dealers	69
Demo mode ■	69
Electrical connection	71
Installation	72
Side-by-side	72
Location	72
Climate range	72
Ventilation	73
Before installing the appliance	74
Building-in dimensions	75
Adjusting the door hinges	76
Changing the door hinging	77
Building in the appliance	81
Fitting the furniture doors	88
Adjusting the door	91
Contact details	95






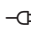


Guide to the appliance

Control panel

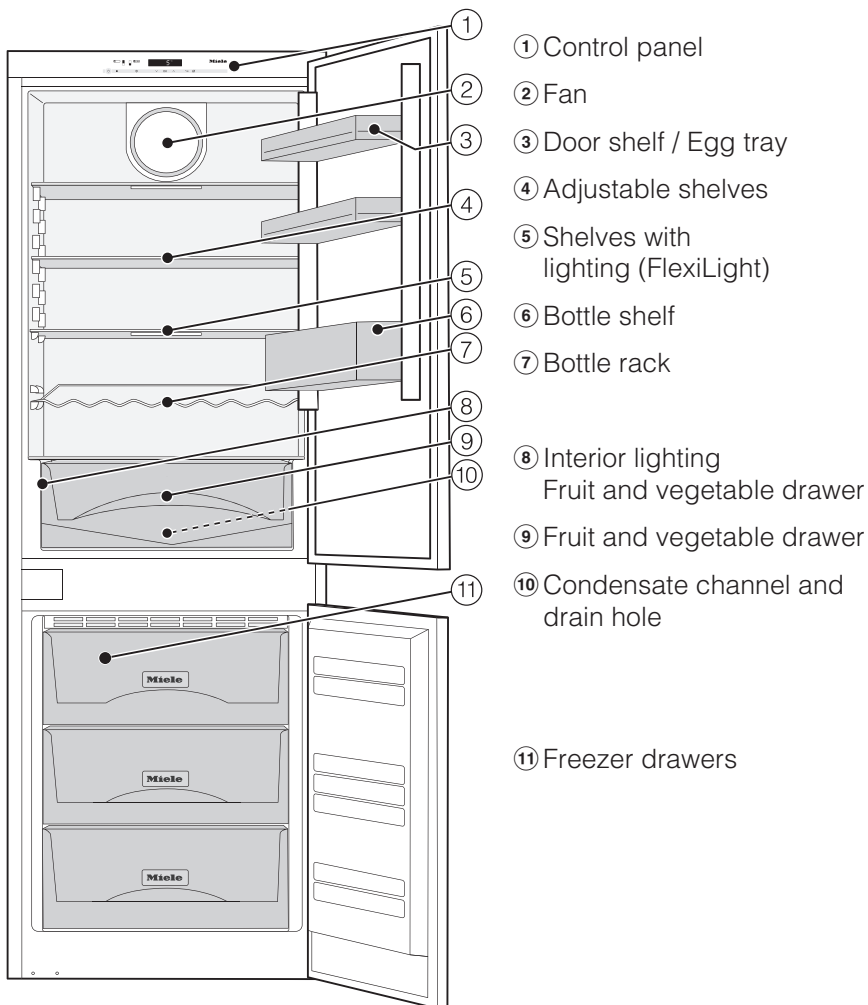


- ① On/Off sensor for the whole appliance
- ② Optical interface (for Service technician use only)
- ③ For selecting the refrigerator and freezer sections
- ④ On/Off sensor for the Dynamic cooling function (automatic temperature distribution)
- ⑤ On/Off sensor for the Super cool and Super freeze functions
- ⑥ For setting the temperature (V = colder), Selector sensor in settings mode
- ⑦ For confirming a selection (OK sensor)
- ⑧ For setting the temperature (^ = warmer), Selector sensor in settings mode
- ⑨ For accessing or leaving settings mode
- ⑩ For switching off the temperature or door alarm
- ⑪ Display with temperature and symbols (symbols only visible in settings mode, in the event of an alarm/message; see table for explanation of symbols)

Symbols

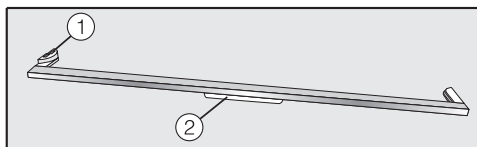
Symbol	Meaning	Function
	Safety lock	Prevents the appliance being switched off, the temperature being altered, Dynamic cooling, Super cool or Super freeze being switched on and settings being entered by mistake.
	Acoustic signals	Choice of sensor tone and door and temperature alarm tone
	Miele@home	Only visible when a communication module is fitted and signed on (see "Miele@home").
	Display brightness setting	For adjusting the brightness of the display
	Sabbath mode	For switching Sabbath mode on and off
	Mains connection	Confirms that the appliance is connected to the mains electrical supply when it is not switched on; flashes in the event of a power cut
	Alarm	Lights up when there is a door alarm; flashes when there is a temperature alarm, power cut or there are fault messages
	Demo mode (only visible when Demo mode is activated)	For switching off Demo mode

Guide to the appliance



Optional accessories

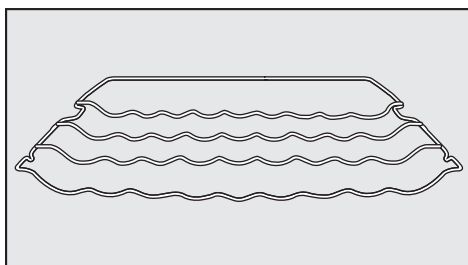
Stainless steel trim with LED lighting for adjustable shelves (FlexiLight)



The LED lighting is located in the stainless steel trim (2), which is supplied with electricity via metal discs (contacts) (1)

The refrigerator section lighting can be positioned to suit your requirements simply by moving the shelf.

Bottle rack



Bottles can be stored horizontally using the bottle rack to save space. The bottle rack can be placed at different positions in the appliance.

Stainless steel care

- The stainless steel conditioner forms a water and dirt repellent protective coating. It gently removes water marks, fingerprints and other dirt and leaves the surface smooth and gleaming.
- The stainless steel cloth is impregnated with stainless steel conditioner for optimum cleaning and protection.

Microfibre cloth

The microfibre cloth helps remove fingerprints and light soiling from surfaces such as stainless steel, glass, plastic and chrome without the use of chemicals.

Optional accessories are available from Miele or via the internet.



www.miele-shop.com

Warning and Safety instructions

This appliance complies with all statutory safety requirements. Inappropriate use can, however, lead to personal injury and damage to property.

To avoid the risk of accidents and damage to the appliance, please read these instructions carefully before installation and before using it for the first time. They contain important information on installation, safety, use and maintenance.

Miele cannot be held liable for damage caused by non-compliance with these Warning and Safety instructions.

Keep these instructions in a safe place and ensure that new users are familiar with the content. Pass them on to any future owner.

Correct application

► The appliance is intended for use in domestic households and similar working and residential environments. It is not intended for outdoor use.

► This appliance is intended for domestic use only for cooling and storing food and drink as well as for storing deep frozen food, freezing fresh food and for making ice. Any other usage is not supported by the manufacturer and could be dangerous.

Warning and Safety instructions

▶ The appliance is not suitable for storing and keeping cool medicines, blood plasma, laboratory preparations or other such materials or products. Incorrect use of the appliance for such purposes can cause deterioration of the items stored. The appliance is not suitable for use in areas where there is a risk of explosion. Miele cannot be held liable for damage resulting from incorrect or improper use or operation.

▶ The appliance can only be used by people with reduced physical, sensory or mental capabilities, or lack of experience and knowledge, if they are supervised whilst using it, or have been shown how to use it in a safe way and recognise and understand the consequences or incorrect operation.

Safety with children

▶ Children under 8 years of age must be kept away from the appliance unless they are constantly supervised.

▶ Children 8 years and older may only use the appliance unsupervised if they have been shown how to use it in a safe way and recognise and understand the consequences of incorrect operation.

▶ Children must not be allowed to clean or maintain the appliance unsupervised.

▶ Please supervise children in the vicinity of the appliance and do not let them play with it.

Warning and Safety instructions

▶ Danger of suffocation. Packaging, e.g. plastic wrappings, must be kept out of the reach of babies and children. Whilst playing, children could become entangled in packaging or pull it over their head and suffocate.

Technical safety

▶ The coolant system is tested for leaks. The appliance complies with statutory safety requirements and the appropriate EU guidelines.

▶ This appliance contains the coolant Isobutane (R600a), a natural gas which is environmentally friendly. Although it is flammable, it does not damage the ozone layer and does not increase the greenhouse effect.

The use of this coolant has, however, led to a slight increase in the noise level of the appliance. In addition to the noise of the compressor, you might be able to hear the coolant flowing around the system. This is unavoidable, and does not have any adverse effect on the performance of the appliance.

Care must be taken during the transportation and installation of the appliance that no parts of the cooling system are damaged. Leaking refrigerant can damage the eyes.

In the event of any damage:

- avoid any flames or anything which creates a spark,
- disconnect the appliance from the electricity supply,
- ventilate the room where the appliance is located for several minutes, and
- call the Service department.

Warning and Safety instructions

▶ The more coolant there is in an appliance, the larger the room it should be installed in. In the event of a leakage, if the appliance is in a small room, there is the danger of combustible gases building up. For every 8 g of coolant at least 1 m³ of room space is required. The amount of coolant in the appliance is stated on the data plate inside the appliance.

▶ To avoid the risk of damage to the appliance, make sure that the connection data (fuse rating, frequency and voltage) on the data plate corresponds to the household supply. Check that this is the case before connecting the appliance. Consult a qualified electrician if in any doubt.

▶ The electrical safety of this appliance can only be guaranteed when it is correctly earthed. It is essential that this standard safety requirement is met. If in any doubt, please have the electrical installation tested by a qualified electrician.

▶ If the electrical connection cable is faulty it must only be replaced by a Miele approved service technician to protect the user from danger.

▶ Do not connect the appliance to the mains electrical supply by a multi-socket adapter or extension lead. These are a fire hazard and do not guarantee the required safety of the appliance.

▶ Do not use in a damp or wet environment (e.g. garage or utility room). Moisture could reach live components or the electrical connection and cause a short circuit.

Warning and Safety instructions

- ▶ This appliance must not be used in a non-stationary location (e.g. on a ship).
- ▶ A damaged appliance can be dangerous. Check the appliance for visible signs of damage. Do not use a damaged appliance.
- ▶ For safety reasons, this appliance may only be used when it has been built in.
- ▶ The appliance must be disconnected from the mains electricity supply during installation, maintenance and repair work. Ensure that power is not supplied to the appliance until after it has been installed or until after any maintenance or repair work has been carried out.
- ▶ Installation, maintenance and repairs may only be carried out by a Miele authorised service technician. Installation, maintenance and repairs by unqualified persons could be dangerous.
- ▶ While the appliance is under guarantee, repairs should only be undertaken by a Miele authorised service technician. Otherwise the guarantee is invalidated.
- ▶ Miele can only guarantee the safety of the appliance when original Miele replacement parts are used. Faulty components must only be replaced by genuine Miele original spare parts.

Correct use

- ▶ The appliance is designed for use within certain climate ranges (ambient temperatures), and should not be used outside this range. The climate range of the appliance is stated on the data plate inside the appliance. Installing it in a room with too low an ambient temperature will lead to the appliance switching off for longer periods so that it cannot maintain the required temperature.
- ▶ If storing food which contains a lot of fat or oil in the appliance or the door, make sure that it does not come into contact with plastic components as this could cause stress cracks or break the plastic.
- ▶ Do not store explosive materials in the appliance or any products containing propellants (e.g. spray cans). Electrical components could cause flammable vapours to ignite. Danger of fire and explosion.
- ▶ Do not operate any electrical equipment (e.g. an electric ice-cream maker) inside the appliance. Danger of sparking and explosion.
- ▶ Do not store cans or bottles containing carbonated drinks or liquids which could freeze in the freezer section. The cans or bottles could explode. Danger of injury and damage to the appliance.

Warning and Safety instructions

- ▶ When cooling drinks quickly in the freezer section, make sure bottles are not left in for more than one hour, otherwise they could burst, causing injury or damage.
- ▶ Never handle frozen food or the metal parts of the appliance with wet hands. Your hands may freeze to the frozen food or metal parts. Danger of frost burn.
- ▶ Do not take ice cubes out with your bare hands and never place ice cubes or ice lollies in your mouth straight from the freezer. The very low temperature of the frozen ice or lollies can cause frost burn to the lips and tongue.
- ▶ Do not refreeze partially or fully defrosted food. Consume defrosted food as soon as possible, as it will lose its nutritional value and spoil if left for too long. Defrosted food may only be re-frozen after it has been cooked.
- ▶ Observe the manufacturer's "use-by" dates and storage instructions given on food to avoid the risk of food poisoning. Storage times will depend on several factors, including the freshness and quality of the food as well as the temperature at which it is stored.
- ▶ Only use genuine original Miele accessories with this appliance. Using spare parts or accessories from other manufacturers will invalidate the guarantee, and Miele cannot accept liability.

Transporting the appliance

- ▶ Always transport the appliance in an upright position and in its original transport packaging to prevent damage in transit.
- ▶ Danger of injury and damage. The appliance is heavy and must be transported by two people.

Cleaning and care

- ▶ Do not use any oils or grease on the door seals, as these will cause the seals to deteriorate and become porous with time.
- ▶ Do not use a steam cleaning appliance to clean this appliance. Steam could reach electrical components and cause a short circuit.
- ▶ Do not use sharp edged objects to
 - remove frost and ice,
 - lift food.

They will damage the evaporator, causing irreversible damage to the appliance.

- ▶ Never place electric heaters or candles in the appliance to defrost it. These can damage the plastic parts.
- ▶ Do not use defrosting sprays or de-icers, as they could contain substances which could damage the plastic parts and which may cause the build up of gases and pose a danger to health.

Warning and Safety instructions

Disposal of your old appliance

▶ Before disposing of an old appliance, first make the door latch or lock unusable.

This way you will prevent children from accidentally locking themselves in and endangering their lives.

▶ Be careful not to damage any part of the pipework whilst awaiting disposal, e.g. by

- puncturing the refrigerant channels in the evaporator,
- bending any pipework,
- scratching the surface coating.

Splashes of refrigerant can damage the eyes.

How to save energy

	Normal energy consumption	Increased energy consumption
Installation site / Maintenance	In a ventilated room.	In an enclosed, unventilated room.
	Protected from direct sunlight.	In direct sunlight.
	Not near to a heat source (radiator, oven).	Near to a heat source (radiator, oven).
	Where the ideal ambient room temperature is approx. 20 °C.	Where there is a high ambient room temperature.
	Ventilation gaps uncovered and dusted regularly.	Ventilation gaps covered up or dusty.
Temperature setting	Refrigerator section 4 to 5 °C	The colder the temperature in the refrigerator section, the higher the energy consumption.
	Freezer section -18 °C	

How to save energy

	Normal energy consumption	Increased energy consumption
Use	Drawers, shelves and racks arranged as they were when the appliance was delivered.	
	Only open the door when necessary and for as short a time as possible. Store food in an organised way.	Frequent opening of the door for long periods will cause a loss of coldness. The appliance works harder to cool down and the compressor runs for longer periods.
	Take an insulated cool bag with you when shopping and place food in the appliance as soon as possible. Replace any food removed as quickly as possible, before it begins to thaw. Allow hot food and drinks to cool down before placing them in the appliance.	Hot food or food at room temperature raises the temperature inside the appliance. The appliance works harder to cool down and the compressor runs for longer periods.
	Store food covered or packaged.	The evaporation or condensation of liquids will cause a loss of coldness in the refrigerator.
	Place frozen food in the refrigerator to defrost.	
	Do not over-fill the appliance to allow air to circulate.	

Before using for the first time

Packing material

- Remove all the packing material from the interior of the appliance.

Protective foil

The stainless steel trim to the interior shelves and the door shelves has a layer of protective foil to prevent scratching during transportation.

- Carefully remove the protective foil from the stainless steel trim.

Cleaning and care

Please observe the relevant instructions in "Cleaning and care".

- Immediately after removing the protective foil, treat stainless steel surfaces with the Miele stainless steel conditioning agent supplied with the appliance.

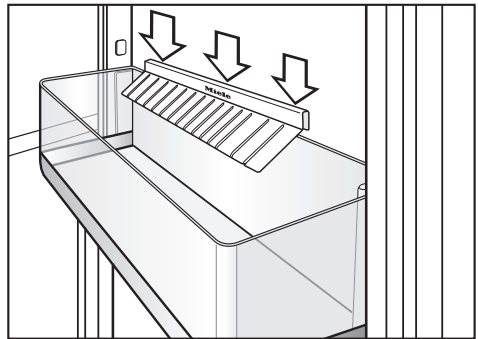
Important. Each time it is used, the Miele stainless steel conditioning agent forms a water and dirt repellent protective coating.

- Clean the inside of the appliance and the accessories. See "Cleaning and care" for more information.

Accessories

– Bottle holder

The flexible ribs grip the bottles securely when the door is opened and closed.



- Attach the bottle holder centrally along the rear edge of the bottle shelf, as shown.

– Cool pack

Place the cool pack in the top drawer of the freezer section. The cool pack will be at its most effective after it has been in the freezer for approx. 24 hours.


Switching on and off

Operating the appliance

A light touch of the finger on the sensors is all that is required to operate this appliance.


A tone will sound each time a sensor is touched. You can deactivate this, if you wish (see "Selecting further settings - Acoustic signals").

Switching on

When the appliance is connected to the electrical supply, the mains connection symbol  will appear in the display after a short while.



- Touch the On/Off sensor.

The mains connection symbol  goes out and the appliance begins to cool down.

The sensors for the refrigerator and freezer sections will appear in the control panel:





Refrigerator section

Freezer section

The refrigerator section sensor is highlighted in yellow and the current temperature in the refrigerator appears in the display.

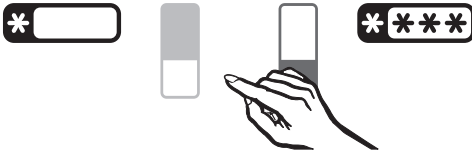
When the refrigerator door is open, the interior lighting will come on and the adjustable shelf LED lighting will become brighter until it has reached its maximum brightness.

When the appliance is switched on for the first time, the sensors for the freezer section and the alarm symbol  will flash until the set temperature is reached.

When the set temperature is reached, the sensor for the freezer section lights up constantly and the alarm symbol  goes out.

To enable the temperature to get sufficiently cold inside the appliance, allow the appliance to run for a few hours before placing food in it. Do not place food in the freezer section until the temperature is at least $-18\text{ }^{\circ}\text{C}$.

Individual settings can be selected for each section.



- Touch the sensor for the section you want to select the settings for.

The sensor that has been selected is highlighted in yellow.

You can now select the Super cool and Dynamic cooling functions or adjust the temperature for the **refrigerator section**.

You can now select the Super freeze function or adjust the temperature for the **freezer section**.

Please refer to the relevant section for more information.

If the other section is then selected, the settings for the previously selected section remain unchanged.

Switching off



- Touch the On/Off sensor.

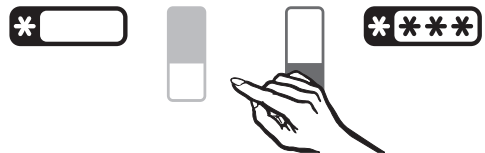
If this does not work, the safety lock is still activated.

The temperature will go out and the mains connection symbol $\text{---}\text{G}$ will appear in the display.

The interior lighting will go out and the cooling process will be switched off.

To switch the refrigerator section off separately

The refrigerator section can be switched off without having to switch off the freezer section. This is useful e.g. whilst on holiday.



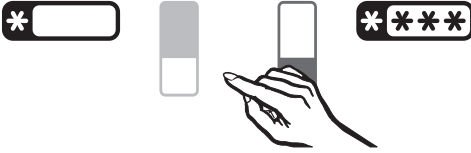
- Touch the sensor for the refrigerator section so that it is highlighted in yellow.

Bars will appear in the display briefly.

Switching on and off

To switch the refrigerator section on again

The refrigerator section can also be switched back on again separately.



- Touch the sensor for the refrigerator section so that it is highlighted in yellow.

The refrigerator section temperature display will light up. The refrigerator section will start cooling. The interior light will come on when the door is opened.

Switching off the appliance in Sabbath mode

The appliance can be switched off directly at any time.



- Touch the On/Off sensor.

The temperature display will go out and the mains connection symbol ⏏ will appear.

The interior lighting will go out and the cooling process will be switched off.

When the appliance is switched back on again, Sabbath mode is deactivated.

Switching off for longer periods of time

If the appliance is not going to be used for a longer period of time, e.g. whilst on holiday:

- switch the appliance off,
- disconnect it from the mains.

If you are not using the appliance/refrigerator (refrigerator section switched off separately) for a longer period of time,

- clean the appliance/refrigerator section, and
- leave the doors ajar to air the appliance/refrigerator section to avoid a build-up of odours.

If, during a long absence, the appliance is switched off but not cleaned out and the doors are left shut, there is a danger of mould and odours building up inside the appliance.

The correct temperature

It is very important to set the correct temperature for storing food in the appliance. Micro-organisms will cause food which is not stored at the correct temperature to deteriorate rapidly. Temperature influences the growth rate of these micro-organisms. Reducing the temperature reduces their growth rate.

The temperature in the appliance will rise:

- the more often the door is opened and the longer it is kept open,
- the more food that is placed in it,
- the warmer the food is which is being put into it,
- the higher the ambient temperature surrounding the appliance.

The appliance is designed for use in specific ambient temperatures (climate ranges). Do not use in ambient temperatures for which it is not designed.

. . . in the refrigerator section

We recommend a temperature of **4 °C** in the refrigerator section.

. . . in the freezer section

To freeze fresh food and to store frozen food for a long time, a temperature of **-18 °C** is required. At this temperature the growth of micro-organisms is generally halted. As soon as the temperature rises above -10 °C, the micro-organisms become active in the food again so that it cannot be kept as long. For this reason, partially defrosted or defrosted food must not be re-frozen. Food may be re-frozen once it has been cooked, as the high temperatures achieved when cooking destroy most micro-organisms.

The correct temperature

Temperature display

In normal operation the temperature display shows the **average, current temperature in the refrigerator section** and the **temperature in the warmest area of the freezer section**.

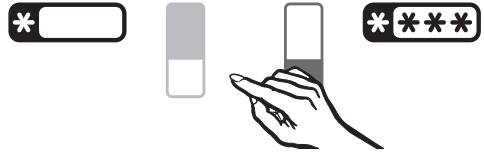
If the temperature in the freezer section is not within the range that the appliance is able to display, dashes will flash in the temperature display.

Depending on the ambient temperature and the setting, it can take the appliance a few hours to reach the temperature required and for this temperature to then be shown as a constant temperature in the display.

However, if the temperature in the freezer section remains above $-18\text{ }^{\circ}\text{C}$ for a long time, check that the frozen food has not started to defrost. If it has, check that the food is safe to use and if it is, then use it as soon as possible.

Setting the temperature

The temperatures in the refrigerator and freezer sections are set independently of one another.



- Select the refrigerator or the freezer section.
- Set the temperature using the two sensors underneath the display.

By touching the sensor



- the temperature will get colder



- the temperature will get warmer.

The temperature being set will flash in the display.

The correct temperature

The following information shows in the display when the sensors are touched:

- Touching a sensor once: the **last temperature selected** flashes.
- Each subsequent touch of the sensor:
adjusts the temperature shown in 1 °C steps.
- Leaving a finger on the sensor:
changes the temperature continuously.

Approx. 5 seconds after the last time a sensor has been touched, the **current** temperature inside the appliance is automatically shown.

or

- Touch the OK sensor to confirm your selection.

When you have adjusted the temperature, **wait for approx. 6 hours if the appliance is not very full** and **for approx. 24 hours if the appliance is full** before checking the temperature display, as it will take this long for the display to give an accurate reading.

If, after this time, the temperature is still too high or too low, you will need to adjust it again.

Temperature range

The temperature can be adjusted:

- In the refrigerator section from 1 °C to 9 °C.
- In the freezer section from -15 °C to -26 °C.

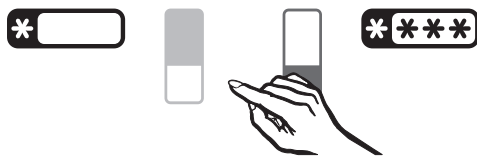
Using Super cool, Super freeze and Dynamic cooling

Super cool

The Super cool function can be used to rapidly reduce the temperature in the refrigerator to its lowest setting (depending on the room temperature).

Switching on Super cool

Super cool is particularly recommended for the faster chilling of large amounts of fresh food or drink.



- Touch the sensor for the refrigerator section.

The symbol for the refrigerator section is highlighted in yellow.



- Touch the Super cool sensor so that it lights up yellow.

The appliance will work at full power to lower the temperature in the appliance.

Switching off Super cool

The Super cool function will switch itself off automatically after approx. 12 hours. The appliance will then continue to work at normal power.

To save energy, the Super cool function can be switched off once food and drinks are sufficiently chilled.



- Touch the sensor for the refrigerator section.

The symbol for the refrigerator section is highlighted in yellow.



- Touch the Super cool sensor so that it is no longer lit up yellow.

The appliance will run at normal power again.

Using Super cool, Super freeze and Dynamic cooling

Super freeze

For optimum results switch on the Super freeze function before putting fresh food into the freezer.

This helps food to freeze quickly and retain its nutrients, vitamins, flavours and appearance.

Super freeze is not necessary:

- when placing food in the freezer that is already frozen.
- when freezing up to 2 kg fresh food daily.

Switching on Super freeze

When freezing small quantities of food in the freezer, the Super freeze function should be switched on **6 hours beforehand**. When freezing **the maximum load of food** the Super freeze function should be switched on **24 hours beforehand**.



- Touch the sensor for the freezer section.

The symbol for the freezer section is highlighted in yellow.



- Touch the Super freeze sensor so that it lights up yellow.

The appliance will work at full power to lower the temperature in the appliance.

Using Super cool, Super freeze and Dynamic cooling

Switching off Super freeze

The Super freeze function will switch itself off automatically after approx. 30 - 65 hours. The quantity of fresh food placed in the freezer will determine the duration before the Super freeze function switches off. The Super freeze ❄️ symbol will go out and the appliance will run at normal power again.

To save energy, the Super freeze function can be switched off once a **constant** temperature of -18 °C or colder has been reached in the freezer. Check the temperature inside the appliance.



- Touch the sensor for the freezer section.

The symbol for the freezer section is highlighted in yellow.



- Touch the Super freeze sensor so that it is no longer lit up yellow.

The appliance will run at normal power again.

Dynamic cooling

When the Dynamic cooling function is not switched on, the natural circulation of air in the appliance will cause different temperature zones in the refrigerator as the cold, heavy air will sink to the lowest section of the appliance. You should bear this in mind when placing food in the appliance (see "Storing food in the refrigerator"). However, if you are placing a large amount of food in the refrigerator at any one time, it is a good idea to switch on Dynamic cooling. This way you can distribute the temperature inside the appliance to all areas more evenly so that all the food will be chilled to about the same degree.

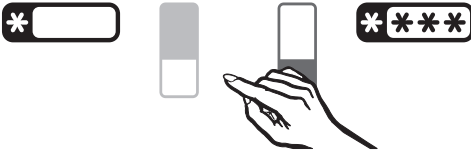
The temperature is set as normal.

Dynamic cooling should also be selected when:

- the ambient temperature in the room is high (above approx. 30 °C), and
- the room humidity level is high.

Using Super cool, Super freeze and Dynamic cooling

Switching on Dynamic cooling



- Touch the sensor for the refrigerator section.

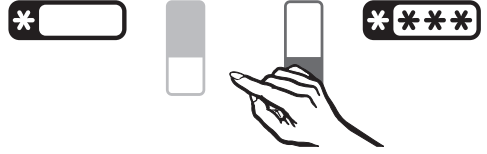
The symbol for the refrigerator section is highlighted in yellow.



- Touch the Dynamic cooling sensor so that it lights up yellow.

The fan will now not run continuously. It will switch on automatically when the compressor switches on.

Switching off Dynamic cooling



- Touch the sensor for the refrigerator section.

The symbol for the refrigerator section is highlighted in yellow.




- Touch the Dynamic cooling sensor so that it is no longer lit up yellow.

To save energy, the fan switches off automatically whilst the door is open.

Temperature and door alarm

This appliance has a warning system which ensures that the temperature in the freezer section cannot rise unnoticed and to avoid energy being wasted if a door is left open.


Temperature alarm

If the temperature in the **freezer section** becomes too warm, the sensor for the freezer section will flash and at the same time the alarm symbol  will flash in the display. An audible alarm will also sound.

The temperature the appliance is set at determines the temperature the appliance recognises as being too warm.

The alarm may sound and the sensor for the freezer section and the alarm symbol may flash, for example,

- when you switch the appliance on, and for as long as the temperature in a particular section differs from the temperature set,
- if the freezer door has been left open for a while, e.g. in order to load, to re-arrange or to take food out.
- when freezing large amounts of food at once,
- in the event of a power cut,
- if the appliance has a fault.

The alarm will stop and the alarm symbol  will go out when the temperature reaches the correct level again. The sensor for the freezer section will light up again constantly.

However, if the temperature in the freezer section remains above $-18\text{ }^{\circ}\text{C}$ for a long time, check that the frozen food has not started to defrost. If it has, check that it is still safe to use, and if so, use it as quickly as possible. Defrosted food may only be re-frozen after it has been cooked.


Switching the alarm off early

If the noise disturbs you, you can switch the alarm off early if you wish.




- Touch the sensor for switching off the temperature alarm.


The alarm will stop.

The freezer section sensor on the control panel and the alarm symbol  in the display will continue to flash until the temperature is at the correct level.

Door alarm

The alarm will sound if the door is left open for a long time. The alarm symbol  will light up.

The period of time before the door alarm sounds is 2 minutes (default setting) or 4 minutes depending on the setting selected. The door alarm can also be switched off (see "Selecting further settings - Acoustic signals").

The alarm will stop and the alarm symbol  will go out as soon as the door is closed.

If the audible tone does not sound in the case of a door alarm, the alarm tone has been switched off in settings mode (see "Selecting further settings - Acoustic signals").


Switching the alarm off early

If the noise disturbs you, you can switch the alarm off early if you wish.




- Touch the sensor for switching off the door alarm.

The alarm will stop.





The alarm symbol  will continue to be lit up until the door is closed.

Selecting further settings

Certain settings on the appliance can only be selected in settings mode.

When in settings mode, the door alarm and other fault messages are automatically deactivated although the alarm symbol  appears in the display.

Available settings

	Activating or deactivating the safety lock
	Switching acoustic signals on/off
	Altering the display brightness
	Switching Sabbath mode on/off

The further settings are described in more detail below.

Safety lock


The safety lock can be activated to prevent:

- the appliance being switched off inadvertently,
- the temperature being changed inadvertently,
- the Dynamic cooling, Super cool or Super freeze functions being selected inadvertently,
- settings being adjusted inadvertently (it is only possible to deactivate the lock).

Activating or deactivating the lock




- Touch the settings sensor.

All symbols available for selection appear in the display and the  symbol flashes.



- Touch the OK sensor to confirm your selection.

The last selected setting flashes and the  symbol lights up in the display.


Selecting further settings



- By touching the ∇ or ∧ sensor, you can now select whether the safety lock is activated or deactivated:
∇: the safety lock is deactivated
∧: the safety lock is activated




- Touch the OK sensor to confirm your selection.

The selected setting is applied, the  symbol flashes.



- Touch the settings sensor to leave settings mode. Otherwise the appliance exits settings mode automatically after approximately one minute.

The  symbol will appear in the display when the lock is activated.

Acoustic signals

The appliance has acoustic signals such as the sensor tone and the door and temperature alarms.


You can switch off the sensor tone or the door alarm tone, but you cannot deactivate the temperature alarm.

There are 4 different settings to choose from. Option 3 is set at the factory, i.e., the sensor tone and the door alarm are switched on.


Switching acoustic signals on/off



- Touch the settings sensor.


All symbols available for selection appear in the display and the  symbol flashes.



- Touch the sensors for setting the temperature (∇ or ∧), repeatedly until the  symbol flashes.



- Touch the OK sensor to confirm your selection.

The last selected setting flashes and the  symbol lights up in the display.

Selecting further settings



- By touching the ∨ or ∧ sensor, you can now select:

0: sensor tone off; door alarm off

1: sensor tone off; door alarm on
(after 4 minutes)

2: sensor tone off; door alarm on
(after 2 minutes)

3: sensor tone on; door alarm on
(after 2 minutes)



- Touch the OK sensor to confirm your selection.

The selected setting is applied, the 🎵 symbol flashes.



- Touch the settings sensor to leave settings mode.

Otherwise the appliance exits settings mode automatically after approximately one minute.

Display brightness ☀

The display brightness can be adjusted to suit the lighting conditions of the room.

The display brightness can be altered in stages from 1 to 3. The default setting is the maximum brightness, option 3.

Altering the display brightness



- Touch the settings sensor.

All symbols available for selection appear in the display and the 🔒 symbol flashes.



- Touch the sensors for setting the temperature (∨ or ∧), repeatedly until the ☀ symbol flashes.



- Touch the OK sensor to confirm your selection.

The last selected setting flashes and the ☀ symbol lights up in the display.

Selecting further settings



- By touching the V or ^ sensor you can now alter the brightness of the display:

1: dimmest setting
2: medium setting,
3: brightest setting.



- Touch the OK sensor to confirm your selection.

The selected setting is applied, the ☀ symbol flashes.



- Touch the settings sensor to leave settings mode. Otherwise the appliance exits settings mode automatically after approximately one minute.

Sabbath mode ☸

The appliance offers a Sabbath programme for the purposes of religious observance.

The following are switched off:

- the interior lighting when the door is opened,
- all acoustic and optical signals,
- the temperature display,
- the Super cool, Super freeze or Dynamic cooling functions (if previously selected),

The following can be selected:

- the settings sensor for switching off Sabbath mode
- and the On/Off button.

Temperature regulation is limited in Sabbath mode.

Ensure that the doors are properly closed, as optical and acoustic alarms are switched off.


Any power failure during this time is not shown in the display. After a power failure, the appliance restarts in Sabbath mode.

Selecting further settings


Switching on Sabbath mode



- Touch the settings sensor.


All symbols available for selection appear in the display and the  symbol flashes.



- Touch the sensors for setting the temperature (∇ or ▲), repeatedly until the  symbol flashes.



- Touch the OK sensor to confirm your selection.


The last selected setting flashes and the  symbol lights up in the display.




- By touching the ∇ or ▲ sensor you can now switch on Sabbath mode. To do this, select setting 1.



- Touch the OK sensor to confirm your selection.

The selected setting is applied, the  symbol lights up.

As soon as the  symbol goes out in the display, Sabbath mode is switched on.

- Switch off Sabbath mode after the Sabbath has passed.

Switching off Sabbath mode



- Touch the settings sensor to leave Sabbath mode.

The temperature will appear in the display and the interior lighting will come on.

Storing food in the refrigerator

Different storage zones

Due to the natural circulation of the air in the appliance, there are different temperature zones in the refrigerator section. Cold, heavy air sinks to the lowest section of the appliance. Make use of the different zones when placing food in the appliance.

This appliance has dynamic cooling, which helps to keep an even temperature when the fan is running. For this reason, the difference between the various zones is less pronounced.

Warmest area

The warmest area is in the top section at the front and in the door. Use this for storing butter and cheese.

Coldest area

The coldest area is directly above the fruit and vegetable containers or above the fruit and vegetable drawers (depending on model) and at the back of the appliance.

Use this for all delicate and highly perishable food, e.g.

- fish, meat, poultry,
- sausage products, ready meals,
- dishes or baked goods containing eggs or cream,
- fresh dough, cake mixtures, pizza or quiche dough,
- soft cheese and other dairy products,
- pre-packed vegetables and other fresh food with a label stating it should be kept at a temperature of approx. 4 °C.

Storing food in the refrigerator

Do not store explosive materials in the appliance or any products containing propellants (e.g. spray cans). Danger of explosion.

If storing food which contains a lot of fat or oil in the appliance or the door, make sure it does not come into contact with plastic components as this could cause stress cracks or break the plastic.

Food must not touch the back wall of the appliance, as it may freeze to the back wall.

To allow air to circulate efficiently, do not pack food too closely together in the refrigerator.

Do not cover the fan in the rear wall of the refrigerator, as this is essential for keeping the appliance cool.

Food which is not suitable for storing in the refrigerator

Not all food is suitable for storing in a refrigerator at temperatures below 5 °C, as some food is sensitive to cold. The appearance, consistency, taste and / or the vitamin content of certain foods can be adversely affected by being stored in too cold a place.

Food which does not tolerate cold temperatures includes:

- Pineapples, avocados, bananas, pomegranates, mangos, melons, papayas, passion fruit, citrus fruit (such as lemons, oranges, mandarins, grapefruit),
- Fruit which is not yet ripe,
- Aubergines/egg plant, cucumber, potatoes, peppers/capiscum, tomatoes, courgettes/zucchini,
- Some hard cheeses, e.g. Parmesan.

Storing food in the refrigerator

When shopping for food

The freshness of food when first placed in the appliance is an important factor in determining how long it stays fresh, and how long it can be kept in the refrigerator. Always observe the use-by date and the recommended storage temperature. Time out of the refrigerator, e.g. during transportation, should be kept to a minimum. For example, do not allow food to stay in a hot car for too long.

Tip: Take a cool bag with you when shopping and on return place food into the appliance immediately.

Storing food correctly

Food should generally be stored **covered or packaged**. This will prevent food smells from affecting other food, food from drying out, and also any cross-contamination of bacteria. This is particularly important for protein-based foods such as meat or fish.

The growth of bacteria, such as salmonella, can be avoided by setting the correct temperature and maintaining good standards of hygiene.

Fruit and vegetables

Fruit and vegetables can be stored loose in the fruit and vegetable containers or drawers (depending on model).

Protein rich foods

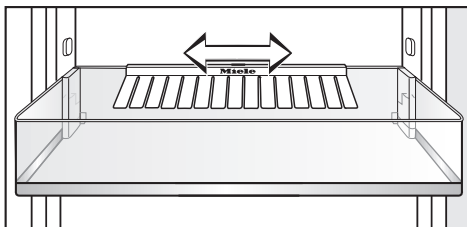
Please note that foods rich in protein deteriorate faster than others. Shellfish, for example, deteriorates faster than fish, and fish deteriorates faster than meat.

Adjusting the interior fittings

Adjusting the door shelf/bottle shelf

- Push the door/bottle shelf upwards, then remove it by pulling it forwards.
- Replace the door/bottle shelf at the required position. Ensure that it is pushed back into position securely.

Moving the bottle holder



The bottle holder can be moved to the left or right to create more room for drinks cartons, for example.

The bottle holder can be removed completely (e.g. for cleaning).

- Push the bottle shelf upwards, then remove it by pulling it forwards.
- Pull the bottle holder upwards to remove it from the rear edge of the bottle shelf.

Adjustable shelves / Adjustable shelves with LED lighting

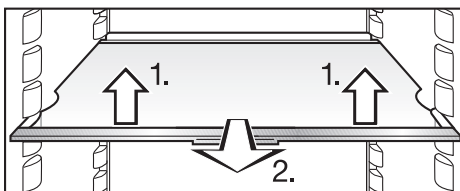
The LED lighting is located in the stainless steel trim of the adjustable shelves.

You can illuminate the refrigerator section as you wish by moving the shelves.

If the lighting is not working, check that the shelves are positioned in the side supports correctly: The shelves have metal discs (contacts) in the left-hand front corner which supply power to the LED lighting. Make sure when inserting the shelves that the contacts click into the shelf supports correctly.

Moving the adjustable shelves / adjustable shelves with LED lighting

The shelves can be adjusted according to the height of the food.



- Raise the shelf slightly at the front, and pull it forwards a little until the notch at the side is in line with the shelf support. It can then be raised or lowered to the required level.

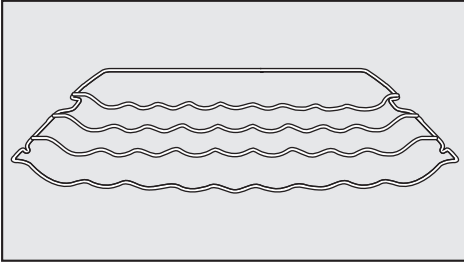
The raised edge at the back of the shelf must face upwards to prevent food from touching the back of the appliance and freezing to it.

Adjusting the interior fittings

Stoppers prevent the shelves from being dislodged by mistake.

Adjusting the bottle rack

(depending on model)



The bottle rack can be placed at different positions in the appliance.

- Raise the bottle rack slightly at the front, and pull it forwards a little until the notch at the side is in line with the shelf support. It can then be raised or lowered to the required level.

The rear rail must face upwards to prevent bottles from touching the back of the appliance.

Stoppers prevent the bottle rack from being dislodged by mistake.

Fruit and vegetable drawer

(depending on model)

The fruit and vegetable drawer is on telescopic runners, and can be removed for filling, emptying or cleaning purposes.

- Pull out the drawer as far as it will go, and then lift it up and out.

Push the runners back in again to avoid damaging them.

Fitting the drawer

- Push the runners in completely and then place the drawer on them.
- Push the drawer into the appliance until it clicks into position.

Freezing and storing food

Maximum freezing capacity

To ensure that fresh food placed in the freezer section freezes through to the core as quickly as possible, the maximum freezing capacity must not be exceeded. The maximum freezing capacity for freezing within a 24-hour period is given on the data plate: "Freezing capacitykg/24 hrs".

The maximum freezing capacity given on the data plate has been calculated according to DIN EN ISO 15502 Standard.

Freezing fresh food

Fresh food should be frozen as quickly as possible. This way the nutritional value of the food, its vitamin content, appearance and taste are not impaired.

Food which takes a long time to freeze will lose more water from its cells, which then shrink.

During the defrosting process, only some of this water is reabsorbed by the cells; the rest collects around the food. In practice this means that the food loses a large degree of its moisture. You can tell if this has happened by the amount of liquid around the food.

If food is frozen quickly, the cells have less time to lose moisture, so they shrink less. As there is not so much moisture loss, it is easier for the food to reabsorb it during the defrosting process, and very little water collects around the defrosted food.

Storing frozen food

When buying frozen food to store in your freezer, check

- that the packaging is not damaged,
 - the use-by date and
 - the temperature at which the frozen food is being stored in the shop. The length of time it can be kept is reduced if it has been stored at a temperature warmer than -18 °C.
- Buy frozen food once you have finished the rest of your shopping, and wrap it in newspaper or use a cool bag or cool box to transport it.
 - Store it in the freezer as soon as possible.

Never re-freeze partially or fully defrosted food. Consume defrosted food as soon as possible as it will lose its nutritional value and spoil if left for too long. Defrosted food may only be re-frozen after it has been cooked.

Home freezing

Only freeze fresh food which is in a good condition.

Hints on home freezing

- The following types of food **are suitable** for freezing:
Fresh meat, poultry, game, fish, vegetables, herbs, fresh fruit, dairy products, pastry, leftovers, egg yolks, egg whites and a range of pre-cooked meals.
- The following types of food **are not suitable** for freezing:
Grapes, lettuce, radishes, sour cream, mayonnaise, eggs in their shells, onions, whole raw apples and pears.
- To retain colour, taste and vitamin C, vegetables should be blanched after they have been trimmed and washed.
To blanch: bring a large saucepan of water to the boil, immerse the vegetables in the fast boiling water for 2-3 minutes, depending on variety. Remove, and plunge into ice-cold water to cool quickly. Drain and pack ready for freezing.
- Lean meat freezes better than fatty meat, and can be stored for considerably longer.
- To prevent chops, steaks, cutlets or rolled meat from freezing together in solid blocks when packed, separate with a sheet of plastic freezer film.
- Do not season fresh food or blanched vegetables before freezing. Only season cooked food

lightly before freezing, but care should be taken as the taste of some spices alters when frozen.

- Do not place hot food or drinks in the freezer. This causes already frozen food to thaw, and increases the energy consumption considerably. Allow hot food and drinks to cool down before placing them in the freezer.

Packaging

- Freeze food in portions.

Unsuitable packaging material

- wrapping paper
- grease-proof paper
- cellophane
- bin bags
- plastic carrier bags

Suitable packaging material

- plastic freezer film
- freezer bags
- aluminium foil
- freezer containers

- Expel as much air as possible from bags etc. before sealing them, to prevent freezer-burn on food.
- Close the packaging tightly with
 - rubber bands
 - plastic clips
 - string or bag ties
 - freezer tape.

Freezer bags may also be sealed using home heat sealing kits.

- Make a note of the contents and the date of freezing on the packaging.

Freezing and storing food

Before placing food in the freezer section

- When freezing more than 22 kg of fresh food, switch on the Super freeze function some time before placing the food in the freezer (see "Using Super cool, Super freeze and Dynamic cooling"). This also helps to prevent food that is already in the freezer from starting to defrost.

Placing food in the freezer section

The following maximum capacities must be observed:

- freezer drawer = 25 kg
- glass cold plate = 35 kg

Food to be frozen must on no account touch food which is already frozen to avoid partial thawing.

- Make sure that the packaging and containers are dry to prevent them sticking together when frozen.

– Freezing small amounts of food

Place the food in the upper freezer drawers.

- Place the food flat in the bottom of the drawers so that it freezes through to the core as quickly as possible.

Please note that when removing the drawers, the lowest freezer drawer must always remain in the freezer. When placing food on the glass cold plate make sure it does not obstruct the ventilation gaps at the back. This is important for problem-free operation and normal energy consumption.

– Freezing the maximum amount of food (see data plate)

- Remove the upper freezer drawers.
- Place the food flat on the upper glass cold plates so that it freezes through to the core as quickly as possible.

Once frozen:

- Place the frozen food in the freezer drawers and push them back into the appliance.

– Large items

If you wish to freeze large items such as a turkey or game, the glass cold plates between the drawers can be removed.

- Remove the upper freezer drawers and carefully lift and slide out the glass cold plates.

Defrosting

Frozen food can be defrosted in different ways:

- in a microwave oven,
- in an oven using the "Fan" or "Defrost" setting,
- at room temperature,
- in the refrigerator (the cold given off by the frozen food helps to keep the other food cold),
- in a steam oven.

Poultry It is particularly important to observe food hygiene rules when defrosting poultry. Do not use the liquid from defrosted poultry. Pour it away and wash the container it was in, the sink and your hands. Danger of salmonella poisoning.

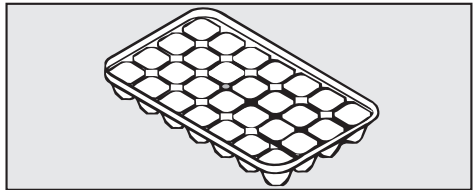
Ensure that **meat and fish** (e.g mince, chicken, fish fillets) do not come into contact with other foods while defrosting. Catch the liquid and dispose of it carefully.

Fruit should be defrosted at room temperature in its packaging, or in a covered bowl.

Most vegetables can be cooked while still frozen. Just put straight into boiling water or hot fat. The cooking time is slightly less than that of fresh vegetables due to changes in the cell structure.

Never re-freeze partially or fully defrosted food. Consume defrosted food as soon as possible as it will lose its nutritional value and spoil if left for too long. Defrosted food may only be re-frozen after it has been cooked.

Ice cubes



- Fill the ice tray three quarters full with water and place it on the bottom of one of the freezer drawers.
- Once frozen, use a blunt instrument, for example a spoon handle, to remove the ice tray from the freezer.
- Ice cubes can be removed easily from the tray by twisting the tray gently or by holding it under cold running water for a short while.

Cooling drinks

When cooling drinks quickly in the freezer, make sure bottles **are not** left in for more than one hour; otherwise they could burst.

Freezing and storing food

Cool pack

The cool pack prevents the temperature in the freezer rising too quickly in the event of a power cut. This can help to prolong the storage time.

- Place the cool pack in the top drawer of the freezer section.

The cool pack will be at its most effective after it has been in the freezer for approx. 24 hours.

In the event of a power cut:

- Place the frozen cool pack directly on top of the frozen food in the front of the top drawer.

When placing fresh food in the freezer, use the cool pack to separate the fresh food from the food which is already frozen so that the frozen food does not begin to thaw.

The cool pack can also be used in a cool bag to keep food or drinks cool for a short period of time.

Refrigerator section

The refrigerator section defrosts automatically.

Condensate and frost can build up on the back wall of the refrigerator section whilst it is in use. You do not need to remove this, as it will defrost and evaporate automatically with the warmth generated by the compressor.

The condensate is drained away via a channel and drain hole into an evaporation system at the back of the appliance.

Ensure that the condensate channel and drain hole are kept clean and are never blocked so that condensate can flow away without hindrance.

Freezer section

This appliance is equipped with a "Frost free" system. The freezer defrosts automatically.

The moisture generated in the appliance collects on the condenser and is automatically defrosted and dissipated by the condenser from time to time.

- This automatic defrosting system enables the freezer section to remain permanently ice-free, however, the food stored in the freezer section will not defrost.

Cleaning and care

Make sure that water cannot get into the electronic unit or into the lighting or the metal discs (contacts) in the left-hand shelf supports.

Do not let water get into the drainage channel and drain hole when cleaning.

Do not use steam cleaning apparatus to clean the appliance. Steam could reach electrical components and cause a short circuit.

- hard, abrasive sponges and brushes, e.g. pot scourers,
- melamine eraser blocks,
- sharp metal scrapers.

Treat stainless steel surfaces with Miele stainless steel conditioning agent (see "Guide to the appliance - Optional accessories").

Unlike stainless steel cleaning agents, the conditioning agent does not contain any abrasive substances and will gently remove soiling. Each time it is used, it forms a water and dirt repellent protective coating.

The data plate located inside the appliance must not be removed. It contains information which is required in the event of a service call.

Cleaning and conditioning agents used inside the appliance must be food safe.

Cleaning agents

To avoid damaging the surface of your appliance, **do not use**

- cleaning agents containing soda, ammonia, acids or chlorides,
- cleaning agents containing descaling agents,
- abrasive cleaning agents, e.g. powder cleaners and cream cleaners,
- solvent-based cleaning agents,
- stainless steel cleaning agents,
- dishwasher cleaner,
- oven sprays,
- glass cleaning agents,

We recommend using lukewarm water with a little washing-up liquid for cleaning the appliance.

See the following pages for important information regarding cleaning.

Before cleaning

- Switch off the appliance.

The display will go out and the cooling system will switch off. If this does not happen the safety lock is active (see "Selecting further settings - Activating or deactivating the lock").

- Disconnect the appliance from the mains electricity supply.
- Take any food out of the appliance and store it in a cool place.
- Take out all other removable parts for cleaning.

Adjustable shelves / Adjustable shelves with LED lighting

The stainless steel trim with LED lighting or the stainless steel trim on the adjustable shelves is **not suitable** for cleaning in a dishwasher.

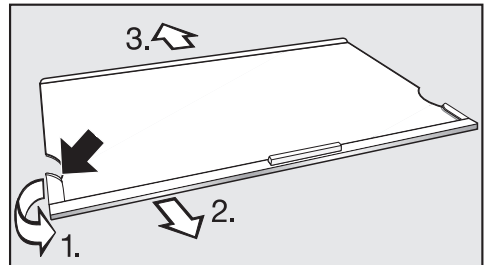
The stainless steel trim with LED lighting must not be placed in water when cleaning it.

To remove the stainless steel trim with LED lighting or the stainless steel trim at the front and the protective strip at the back of the shelf, proceed as follows:

- Place the shelf with the top facing downwards on a worktop covered with a soft material (e.g. a tea towel).

Stainless steel trim with LED lighting

Important. Ensure that you loosen the side on which the contacts (metal discs) are **not** located first.



- Grasp the plastic surround on the left-hand side of the stainless steel trim at its furthest back point.
 1. Pull the plastic surround away from the shelf and 2. pull the trim off at the same time. Then do the same on the opposite side.
- 3. Pull the protective strip off the back of the shelf.
- After cleaning the shelf, attach the stainless steel trim and protective strip in the reverse order.

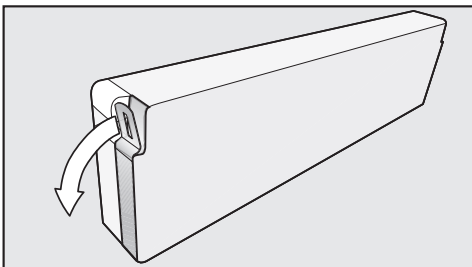
Cleaning and care

Bottle and door shelves

The stainless steel trim on the bottle and door shelves is **not suitable** for cleaning in a dishwasher.

To remove the stainless steel trim, proceed as follows:

- Place the shelf on a worktop, with the front face down.



- Grasp one end of the trim and pull it away from the shelf. The complete trim will then detach from the shelf.
- After cleaning, refit the stainless steel trim to the shelf in the reverse order.

Cleaning the interior and accessories

The refrigerator section should be cleaned regularly, at least once a month.

Clean the freezer section each time you defrost it. Remove any obvious soiling immediately and do not let it dry on.

- Clean the interior with a solution of lukewarm water and a little washing-up liquid. After cleaning, wipe with clean water and dry with a soft cloth.

The following accessories **are suitable** for cleaning in a dishwasher:

- the bottle holder, butter dish, egg trays, ice cube tray (supplied as standard, depending on model)
- the bottle shelf and shelves in the door (with stainless steel trim removed)
- the adjustable shelves (with stainless steel trim with LED lighting / stainless steel trim and protective strips removed)

The temperature of the dishwasher programme must not exceed 55 °C. Contact with some foodstuffs, such as carrots, tomatoes or ketchup can cause plastic items to discolour. However, this discolouration will not affect the stability of plastic items.

The following accessories **are not suitable** for cleaning in a dishwasher:

- the stainless steel trim on the bottle and door shelves
- the stainless steel trim with LED lighting / stainless steel trim and the protective strips on the shelves
- the bottle rack
- the fruit and vegetable drawer
- the freezer drawers

- These accessories should all be hand washed.
- Clean the condensate channel and drain hole frequently, so that condensate can drain away unhindered. Use a straw or similar to clear the drain hole if necessary.
- Miele stainless steel conditioning agent can be used to remove any soiling from the stainless steel trim.
- It is important to treat the stainless steel trim with Miele stainless steel conditioning agent each time it is cleaned. This will protect the surface and help prevent resoiling.
- Leave the doors open to air the appliance for a short while.

Door seals

Do not use any oils or grease on the door seals as these will cause the seals to deteriorate and become porous over time.

- The door seals should be cleaned regularly with clean water, and then wiped dry with a soft cloth.

Ventilation gaps

- The ventilation gaps should be cleaned on a regular basis with a brush or vacuum cleaner. A build-up of dust will increase the energy consumption of the appliance.

Cleaning and care

After cleaning

- Replace all shelves and accessories in the appliance.

The left-hand shelf supports have metal discs (contacts) which supply power to the LED lighting. Make sure that the contacts are clean and dry before inserting the shelves with LED lighting. Push the shelf in until it clicks into position, as otherwise the lighting will not work.




- Reconnect to the mains and switch the appliance back on.
- Switch on the Super freeze function so that the freezer section can cool down quickly.
- Once the freezer section has reached the required temperature, place the food back in the freezer drawers and put them back in the freezer section.
- When the temperature in the freezer is a constant -18 °C or colder press the Super freeze button to switch the Super freeze function off.

Problem solving guide

Some minor problems can be corrected without contacting Miele. If, having followed the suggestions below, you still cannot resolve the problem, please contact Miele.

To prevent unnecessary loss of temperature it is advisable not to open the door while waiting for the appliance to be serviced.

Unauthorised installation, maintenance and repairs can cause considerable danger for the user. Installation, maintenance and repairs must only be carried out by a Miele authorised technician.

Problem	Possible cause	Remedy
The appliance is not getting cold, the interior lighting does not come on when the door is opened, and the display is not lit up.	The appliance is not switched on and the mains connection symbol  is lit up in the display.	<ul style="list-style-type: none"> ■ Touch the On/Off sensor.
	The plug is not inserted in the socket correctly.	<ul style="list-style-type: none"> ■ Insert the plug correctly into the socket. The mains connection symbol  appears in the display when the appliance is switched off.
	Check whether the mains fuse has tripped. There could be a fault with the appliance, the household electrical wiring or another electrical appliance.	<ul style="list-style-type: none"> ■ Contact a qualified electrician or Miele.
The appliance does not get cold, although the controls and the interior lighting are working.	Demo mode is switched on and the  symbol lights up in the display. This allows the appliance to be presented in the showroom without the cooling system being switched on. Do not activate this setting for domestic use!	<ul style="list-style-type: none"> ■ Switch off Demo mode (see "Information for dealers - Demo mode").

Problem solving guide

The compressor runs more frequently and for longer periods of time, the temperature in the appliance drops.		
Problem	Possible cause	Remedy
The temperature in the appliance is too low.	The temperature setting is too low.	■ Adjust the temperature.
	The freezer section door is not properly closed.	■ Check whether the freezer section door closes properly.
	A large amount of food is being frozen at once.	■ See "Freezing and storing food".
	The Super cool function is still switched on. It will switch itself off automatically after approx. 12 hours.	You can switch off the Super freeze function earlier to save energy. ■ Touch the Super cool sensor.
	The Super freeze function is still switched on. It will switch itself off automatically after approx. 30 - 65 hours.	You can switch off the Super freeze function earlier to save energy. ■ Touch the Super freeze sensor.
The compressor runs continuously.	To save energy, the compressor runs at a lower speed, but for longer, when less cooling is required.	None required.

Problem solving guide



The compressor runs more frequently and for longer periods of time, the temperature in the appliance drops.		
Problem	Possible cause	Remedy
The compressor is switching on more frequently and for longer periods.	The ventilation gaps in the housing unit have been covered or become too dusty.	<ul style="list-style-type: none"> ■ Do not block the ventilation gaps. ■ Dust the ventilation gaps regularly.
	The doors have been opened too frequently, or a large amount of fresh food has been placed inside and/or frozen at the same time.	<ul style="list-style-type: none"> ■ Only open the door when necessary and for as short a time as possible. <p>The required temperature will re-establish itself after a while.</p>
	The appliance doors are not closed properly. A thick layer of ice may have formed in the freezer.	<ul style="list-style-type: none"> ■ Close the door. <p>The required temperature will re-establish itself after a while.</p> <p>If a thick layer of ice has formed, it will reduce efficiency and increase the energy consumption.</p> <ul style="list-style-type: none"> ■ Defrost the appliance and clean it.
	The ambient temperature is too high. The higher the room temperature, the longer the compressor will run for.	<ul style="list-style-type: none"> ■ See "Installation - Location".
	The appliance was not properly installed in the niche.	<ul style="list-style-type: none"> ■ See "Building in the appliance".

Problem solving guide




The compressor comes on less and less often and for shorter periods of time. The temperature in the appliance rises.

Problem	Possible cause	Remedy
The temperature in the appliance is too high.	This is not a fault.	<ul style="list-style-type: none"> ■ Adjust the temperature. ■ Check the temperature again after 24 hours.
The food begins to defrost.	The room temperature is lower than the ambient temperature for which the appliance is designed. Operating in a room which is too cold will cause the compressor to switch off for too long, causing the freezer to become too warm.	<ul style="list-style-type: none"> ■ See "Installation - Location". ■ Increase the temperature of the room.

Display warnings

Problem	Possible cause	Remedy
"F0 to F9" appears in the display.	There is a fault.	<ul style="list-style-type: none"> ■ Call the Miele Service Department.
"FE*" appears in the display.	There is a fault.	<ul style="list-style-type: none"> ■ Call the Miele Service Department.
The alarm symbol  and the sensor for one of the sections lights up and an acoustic alarm also sounds.	The door alarm has been activated.	<ul style="list-style-type: none"> ■ Close the appliance door. The alarm symbol  will go out and the alarm will stop.

Problem solving guide

Display warnings		
Problem	Possible cause	Remedy
<p>The alarm symbol  flashes in the display together with the sensor for one of the sections.</p>	<p>The temperature in the zone concerned has risen higher or fallen lower than the temperature set. This could be due to:</p> <ul style="list-style-type: none"> – the door being opened too frequently. – a large amount of fresh food being put in at once for freezing without switching on the Super freeze function. – a lengthy interruption of the power supply. 	<ul style="list-style-type: none"> ■ Rectify the cause of the alarm. The alarm symbol  goes out and the sensor for the section concerned lights up constantly. The audible alarm stops. Depending on the temperature in the freezer section, you should check the condition of the food. If food has defrosted or started to defrost, check that it is still safe to use and if so, use it as quickly as possible. Defrosted food may only be re-frozen after it has been cooked.
<p>The alarm sounds and the power failure symbol  appears in the display. The temperature display will show the warmest temperature recorded in the freezer during an interruption to the power supply or a power cut.</p>	<p>The temperature in the appliance in the previous days or hours has risen too high because of a power cut or interruption to the power supply.</p> <p>The appliance will go back to the last temperature setting when the power is back on.</p>	<ul style="list-style-type: none"> ■ Touch the alarm off sensor. <p>The warmest temperature display will go out. The display will then revert to showing the current temperature in the freezer.</p> <ul style="list-style-type: none"> ■ Depending on the temperature displayed, you should check the condition of food in the freezer. If it has defrosted or started to defrost, check that it is still safe to use and, if so, use it as soon as possible. Defrosted food may only be re-frozen after it has been cooked.

Problem solving guide

Interior lighting		
Problem	Possible cause	Remedy
The LED lighting on one of the shelves is not working.	The shelf has not been positioned correctly on the shelf supports.	<ul style="list-style-type: none"> ■ Push the shelf in until it clicks into position.
The LED lighting on all of the shelves is not working.	Liquid has been spilt onto the LED lighting on one of the shelves or the metal discs (contacts) in the left-hand shelf supports. The safety switch off mechanism has switched off the interior lighting.	<ul style="list-style-type: none"> ■ Wipe the stainless steel trim with LED lighting with a damp cloth and dry it or leave it outside the appliance to dry. Clean the metal discs (contacts) in the shelf supports by wiping and drying them. <p>Make sure that the contacts are clean and dry before inserting the shelves with lighting in the appliance.</p> <ul style="list-style-type: none"> ■ Push the shelf in until it clicks into position. ■ Close the appliance door. <p>When the door is opened again, the interior lighting will come on.</p>
	If this is not the case, then there is a fault.	<ul style="list-style-type: none"> ■ Call the Miele Service Department.


Problem solving guide

Interior lighting		
Problem	Possible cause	Remedy
The LED lighting on all of the shelves is not working.	To avoid overheating, the lighting switches itself off automatically after approx. 15 minutes if the door is left open.	<ul style="list-style-type: none"> ■ Close the appliance door. When the door is opened again, the interior lighting will come on.
	The LED lighting on the stainless steel trim is faulty.	<ul style="list-style-type: none"> ■ Replace the stainless steel trim with LED lighting. It is available from Miele or from your Miele dealer. <div style="border: 1px solid gray; padding: 5px; margin-top: 10px;"> <p>Do not remove the lighting cover. If the cover is damaged or needs to be removed due to damage, exercise caution. There are lasers in the lighting (laser beam class 1M) which you should avoid looking at directly. Do not use optical instruments (magnifying glass or similar) to look at the lighting either.</p> </div>

Problem solving guide

Interior lighting		
Problem	Possible cause	Remedy
The LED lighting on the fruit and vegetable drawer does not work.	To avoid overheating, the lighting switches itself off automatically after approx. 15 minutes if the door is left open.	<ul style="list-style-type: none">■ Close the appliance door. When the door is opened again, the interior lighting will come on.
	If this is not the case, then there is a fault.	<ul style="list-style-type: none">■ Call the Miele Service Department. The LED lighting may only be repaired or replaced by a Miele authorised service technician. There are live electrical components under the lighting cover. Danger of injury and damage to the appliance. <div style="border: 1px solid gray; padding: 5px;"><p>Do not remove the cover. If the cover is damaged or needs to be removed due to damage, exercise caution. There are lasers in the lighting (laser beam class 1M) which you should avoid looking at directly. Do not use optical instruments (magnifying glass or similar) to look at the lighting either.</p></div>

Problem solving guide

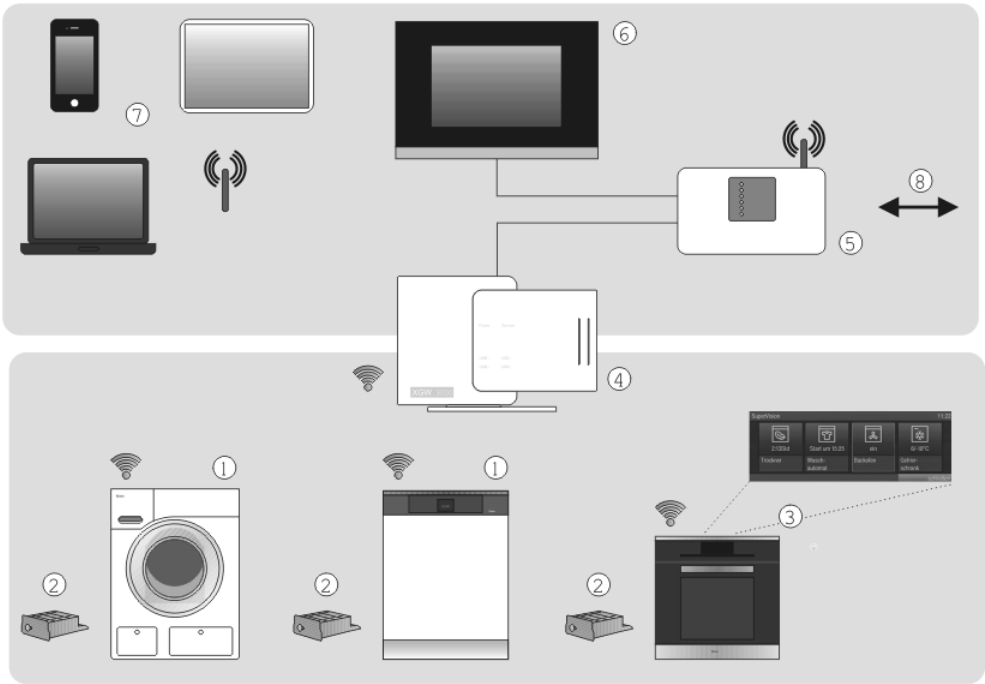
Other problems		
Problem	Possible cause	Remedy
Food has frozen together.	The food packaging was not dry when placed in the freezer.	■ Use a blunt instrument, e.g. a spoon handle or plastic scraper, to prise it apart carefully.
There is no audible alarm although the door has been open for a long time.	This is not a fault. The alarm tone has been switched off in settings mode (see "Selecting further settings - Acoustic signals").	None required.
You cannot switch the appliance off.	The safety lock is activated. The  symbol is lit up in the display.	■ Deactivate the lock (see "Selecting settings - Activating or deactivating the lock").
The external walls of the appliance feel warm.	This is not a fault. The warmth created by the evaporator is used to prevent condensation.	None required.
The floor of the refrigerator section is wet.	The condensate drain hole is blocked.	■ Clean the condensate channel and drain hole.

Noises

Normal noises	What causes them
Brrrrr ...	A humming noise is made by the motor (compressor). This noise can get louder for brief periods when the motor switches on.
Blubb, blubb ...	A gurgling noise can be heard when coolant is circulating through the pipes.
Click ...	Clicking sounds are made when the thermostat switches the motor on and off.
Sssrrrrr ...	On multi-zone and frost-free appliances you can sometimes just hear the the sound of the fan inside the appliance.
	On appliances with a water container you can sometimes hear the sound of water being pumped out of the water container.
Crack ...	A cracking sound can be heard when materials expand inside the appliance.

Remember that the noise of the compressor and the coolant circulating in the system is unavoidable.

Noises that you can easily rectify	Cause	Remedy
Rattling, vibrating	The appliance is uneven.	Realign the appliance using a spirit level, by raising or lowering the screw feet underneath the appliance.
	The appliance is touching another appliance or piece of furniture.	Move it away.
	Drawers, baskets or shelves are unstable or sticking.	Check all removable items and refit them correctly.
	Bottles or containers are touching each other.	Separate them.
	The transport cable clips are hanging loose at the back of the appliance.	Remove the cable clips.



- ① Miele@home communication enabled appliance
- ② Miele@home communication module XKM3000Z
- ③ Miele@home communication enabled Master appliance with SuperVision functionality
- ④ Miele@home Gateway XGW3000
- ⑤ WiFi router
- ⑥ Connection to a Home automation system
- ⑦ Smartphone, Tablet PC, Laptop
- ⑧ Internet connection

This appliance ①/③ is communication enabled and can be connected to the Miele@home system via a communication module ② (optional accessory) and a conversion kit where required.

The Miele@home system enables communication enabled appliances to send information via the household wiring network to a master appliance ③ such as an oven with SuperVision function about their operational status, as well as information about the progress of the programme.

Displaying information and controlling appliances

- SuperVision master appliance ③
The status of other signed on appliances can be shown in the display of some communication enabled appliances.
- Mobile appliance ⑦
A PC, Notebook, Tablet PC or a Smartphone can be used within the reception area of a household WLAN ⑤ to display status information about signed on appliances and carry out certain functions.
- Household network ⑥
The Miele@home system enables smart living. The Miele@home Gateway ④ allows other communication enabled appliances to integrate into the household bus system.

In Germany communication enabled appliances can be integrated into the QIVICON Smart Home Platform

instead of the Miele@home Gateway (www.qivicon.de).

SmartStart

Smart grid enabled appliances can be started automatically at a time when electricity costs are favourable or when a sufficient supply of electricity is available (e.g. from a solar power system).

Accessories required

- Communication module XKM3000Z
- Conversion kit for communication system XKV (depending on household appliance)
- Miele@home Gateway XGW3000

These accessories are supplied with their own installation and operating instructions.

Further information

Further information regarding Miele@home is available on the internet and in the instruction manuals of the various components, e.g. the Miele@home Gateway. Please note that the Miele@home and SuperVision system is currently only available in selected countries.

In the event of a fault which you cannot correct yourself, or if the appliance is under guarantee please contact:

– your Miele Dealer

or

– the Miele Service Department.

See end of this booklet for contact details. Please note that telephone calls may be monitored and recorded for training purposes and that a call-out charge will be applied to service visits where the problem could have been resolved as described in this booklet.

When contacting your Dealer or Miele, please quote the model and serial number of your appliance.

This information is given on the data plate inside your appliance.

Guarantee: U.K.

In the U.K. the appliance is guaranteed for 2 years from the date of purchase. However, you must activate your cover by calling 0845 365 6640 or registering online at www.miele.co.uk.

Guarantee: Other countries

For information on the appliance guarantee specific to your country please contact Miele.

See end of this booklet for contact details.

Information for test institutes

All tests must be carried out according to **relevant standards and directives**.

In addition, the following information provided by the manufacturer must be observed:

- **Loading instructions,**

The cool packs (depending on model) must be placed in the appliance in accordance with the loading instructions when determining the **standard energy consumption** and the **storage time in the event of a fault**.

- Information contained in the **Operating and installation instructions**.

Demo mode


The appliance can be demonstrated in the showroom or at exhibitions in "demo mode". In this mode the controls and interior lighting work but the compressor remains switched off.

Activating demo mode



- Switch the appliance off using the On/Off sensor.

If this does not work, the safety lock is still activated.

The temperature will go out and the mains connection symbol  will appear in the display.





- Place your finger on the V sensor, and leave it there.



- At the same time, briefly touch the On/Off sensor (without letting go of the V sensor).



- Leave your finger on the V sensor until the  symbol appears in the display.
- Then release the V sensor.

Demo mode is activated and the  symbol lights up in the display.


Information for dealers

Deactivating demo mode


The  symbol is lit up in the display.



- Touch the settings sensor.


All symbols available for selection appear in the display and the  symbol flashes.




- Touch the sensors for setting the temperature (∇ or ▲), repeatedly until the  symbol flashes.



- Touch the OK sensor to confirm your selection.


7 flashes in the display (this means: demo mode is activated), the  symbol lights up.



- Touch the ∇ or ▲ sensor, until  appears (this means: demo mode is deactivated).




- Touch the OK sensor to confirm your selection.

The selected setting is applied, the  symbol flashes.



- Touch the settings sensor to leave settings mode. Otherwise the appliance exits settings mode automatically after approximately one minute.

Demo mode is deactivated, the  symbol goes out.

Electrical connection U.K.

All electrical work should be carried out by a suitably qualified and competent person in strict accordance with current local and national safety regulations (BS 7671 in the UK).

The appliance is supplied with a mains cable and moulded plug ready for connection to an a.c. single phase 220-240 V 50 Hz supply.

Please ensure that the connection data quoted on the data plate match the household mains supply.

Connection should be made via a suitable switched socket which is easily accessible. It must not be located behind the appliance. For extra safety it is advisable to protect the appliance with a suitable residual current device (RCD).

Do not connect the appliance to the mains electricity supply by an extension lead. Extension leads do not guarantee the required safety of the appliance (e.g. danger of overheating).

This appliance must not be connected to the inverter of an autonomous power supply, e.g. a solar power system. When switching the appliance on, a surge in power could trigger the safety cut-out mechanism. This could damage the electronic unit.

The appliance must not be used with so-called energy saving devices. These reduce the energy supply to the appliance which could then become too warm. Using such devices could alter the specification of the product.

If the connection cable has to be replaced, this must be done by a suitably qualified and competent person.

Do not plug other appliances in behind this appliance

Non-rewireable plugs (BS 1363)

The fuse cover must be re-fitted when changing the fuse, and if the fuse cover is lost, the plug must not be used until a suitable replacement is obtained. The colour of the correct replacement cover is that of the coloured insert in the base of the plug, or the colour that is embossed in words in the base of the plug (as applicable to the design of the plug fitted).

Replacement fuses should be ASTA approved to BS 1362 and have the correct rating. Replacement fuses and fuse covers may be purchased from your local electrical supplier.

WARNING
THIS APPLIANCE MUST BE
EARTHED

Installation

This appliance must be built in, otherwise it could tip up.

Side-by-side

The KFNS 37432 iD fridge freezer has two foamed in side-wall heaters enabling it to be installed side-by side with other appliances. Each appliance must be installed in its own niche.

Your dealer will be able to advise you on which combination of models is possible.

Location

This appliance should not be installed where it is exposed to direct sunlight or directly adjacent to a heat-producing appliance such as an oven or a radiator. The higher the ambient temperature of the room, the more energy the appliance requires to operate. The appliance should be installed in a dry well ventilated room.

When installing the appliance please be aware:

- The socket must be easily accessible in an emergency, not concealed behind the appliance.
- The plug and cable must not touch the rear of the appliance as they could be damaged by vibrations from the appliance.
- Do not plug in other appliances behind this appliance.

Important. In environments with high humidity condensation can build up on the exterior of the appliance. This can cause corrosion of the appliance walls. For prevention, it is advisable to install the appliance with sufficient ventilation in a dry and /or air-conditioned room. Make sure that the appliance doors close properly, the ventilation gaps are not covered and the appliance is installed in accordance with these installation instructions.

Climate range

The appliance is designed for use within certain climate ranges (ambient temperatures) and should not be used outside this range. The climate range of the appliance is stated on the data plate inside the appliance.

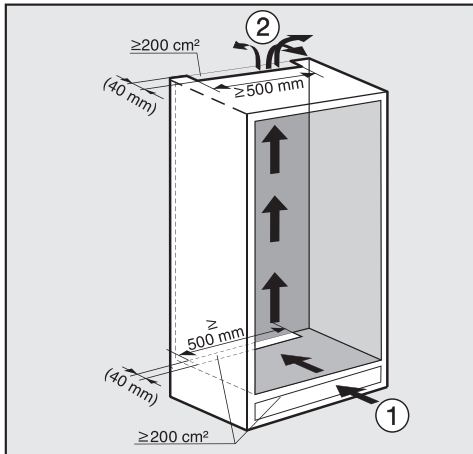
Climate range	Ambient room temperature
SN	+10 °C to +32 °C
N	+16 °C to +32 °C
ST	+16 °C to +38 °C
T	+16 °C to +43 °C

Operating in a room which is too cold will cause the compressor to switch off for too long, causing the internal temperature in the appliance to rise with the risk of food deteriorating and going off.

Ventilation

Specified ventilation gaps must be maintained. Otherwise the compressor will come on more frequently and for longer, resulting in an increase in electricity consumption and also an increase in the operating temperature of the compressor, which can damage it.

Air at the back of the appliance gets warm. The appliance housing unit must be constructed to allow sufficient space for ventilation (see "Building-in diagrams").



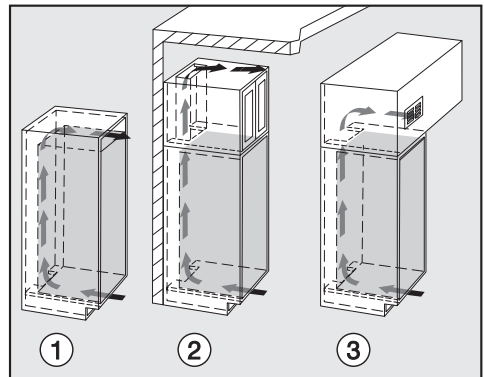
- Air is taken in through the plinth ① and exits upwards at the back of the housing unit ②.
- A ventilation gap of at least 40 mm depth must be provided behind the appliance for air to pass through.

- The cross-sectional area for ventilation in the plinth and the housing unit and also beneath the ceiling needs to be at least 200 cm² throughout to ensure that warm air can be drawn through unhindered.
- Important. The appliance uses less energy, the larger the ventilation cross-section.

The ventilation gaps must not be covered or blocked in any way. They should be dusted on a regular basis.

Top ventilation gap

The ventilation gap at the top of the appliance can be constructed in different ways:

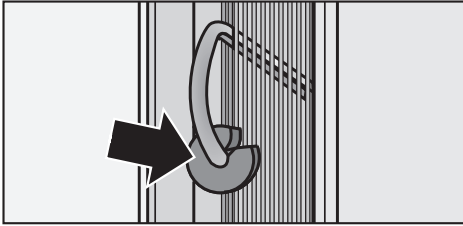


- ① directly above the appliance with a ventilation grille (free airflow of at least 200 cm²).
- ② in between the housing unit and the ceiling
- ③ through a suspended ceiling

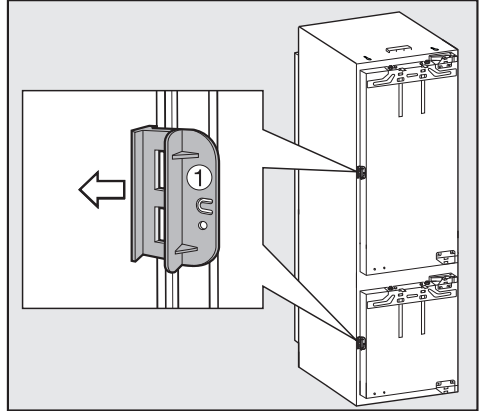
Installation

Before installing the appliance

- Take the accessory pack which includes installation parts and other accessories out of the appliance and remove the packaging strap holding the door in place.
- **Do not** remove the following from the back of the appliance:

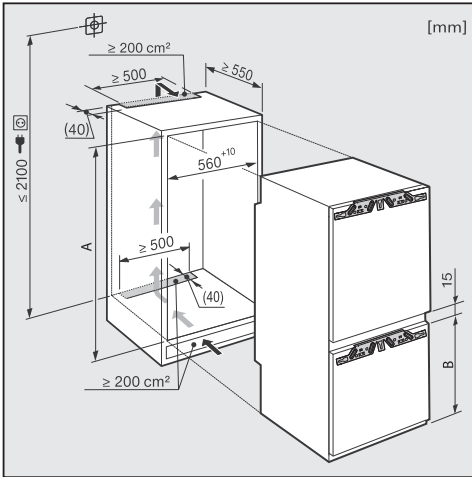


- The spacers (depending on model). These ensure the gap required between the back of the appliance and the wall is maintained.
- Depending on model, the pouches located in the metal grille (heat exchanger). They are required for the correct functioning of the appliance. The contents are not poisonous or dangerous.
- Remove any cable clips from the back of the appliance.
- Check that all parts at the back of the appliance are unhindered. Carefully remove any hindrance.



- Open the appliance door, and remove the red safety catch ① (depending on model).

Building-in dimensions



Before installing the appliance make sure the housing unit is the correct size. Specified ventilation gaps must be maintained in order to ensure the appliance functions correctly.

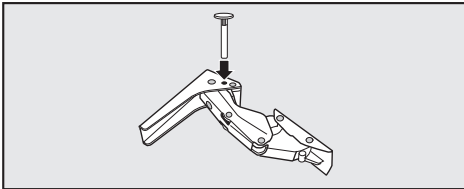
	Niche height [mm] A	Freezer section B
KFN 37432 iD	1772 – 1788	695
KFNS 37432 iD	1772 – 1788	695

Adjusting the door hinges

The door hinges are set ex-works to enable the door to be opened wide.

However, if the opening angle of the door needs to be limited for any reason, the hinge can be adjusted to accommodate this.

- If the appliance door fouls an adjacent wall when opened, for example, the opening angle can be limited to 90°.



- Place the locking pins supplied for limiting the door opening into the hinges from above.

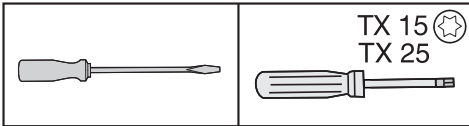
The door opening angle is now limited to 90°.

Changing the door hinging

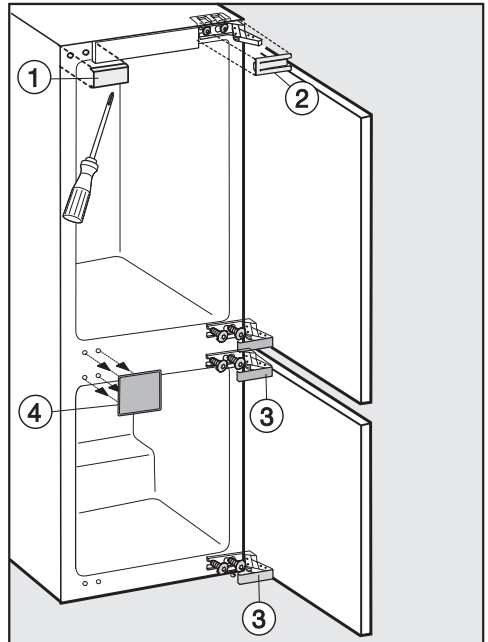
Two people are needed for changing the door hinging.

The appliance is supplied right-hand hinged. If left-hand door hinging is required, follow the instructions below.

To change the door hinging you will need the following tools:

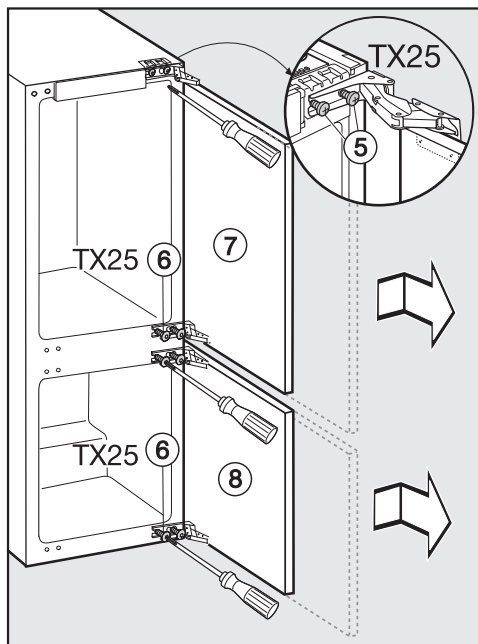


- Open both appliance doors.
- Remove all shelves from the refrigerator door.

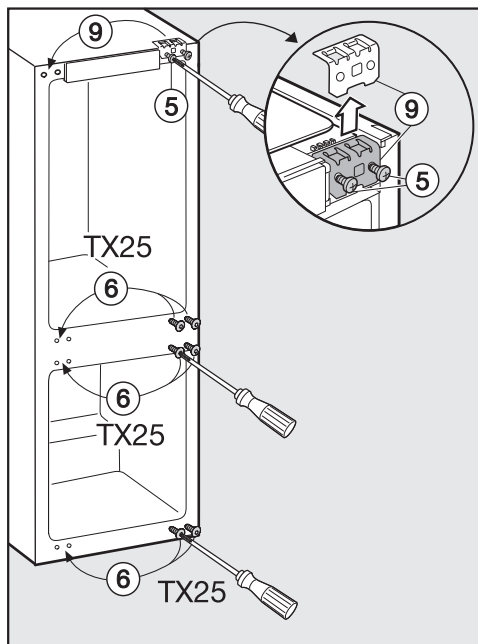


- Remove covers ①, ②, ③ and ④.

Changing the door hinging

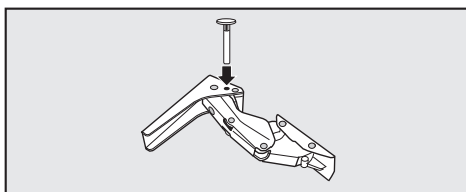


- Slightly loosen screws ⑤ and ⑥ in the hinges.
- Push doors ⑦ and ⑧ outwards and take them off their hinges.



- Remove screws ⑤.
- Fit bracket ⑨ to the opposite side, and loosely fit screws ⑤.
- Unscrew fixing screws ⑥ completely, and loosely screw them into the holes on the opposite side.

If you have put locking pins into the hinges to stop the doors opening too far:



- Remove the locking pins from the top of the hinges.

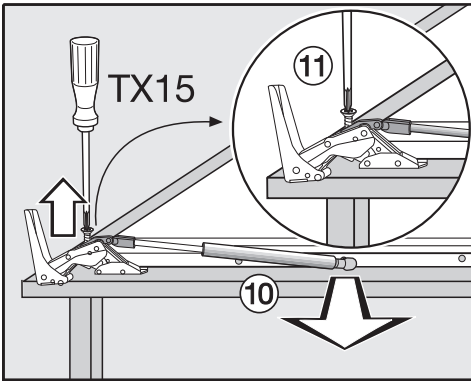
Changing the door hinging

Carry out the following steps on both doors.

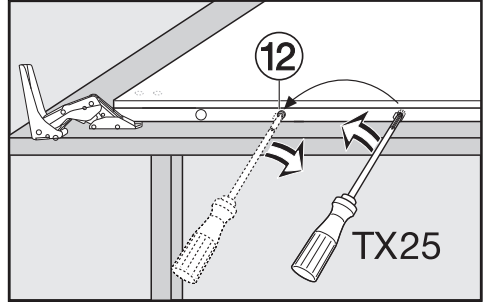
To remove the soft-close mechanism

Warning. The soft-close mechanism snaps shut when dismantled. Danger of injury.

- Place the door with the outer side downwards on a stable surface.

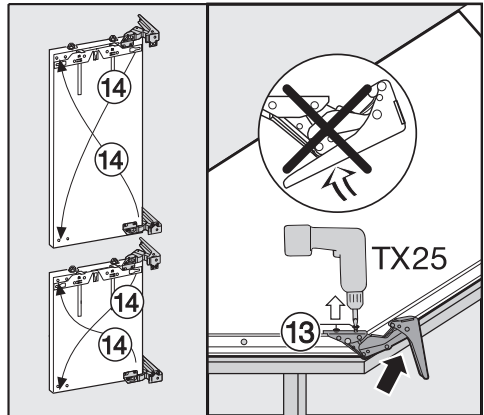


- Pull soft-close mechanism ⑩ out of the ball joint.
- Unscrew holder ⑪ and remove soft-close mechanism ⑩.



- Undo ball joint ⑫ using a screwdriver and reposition and secure it, as shown.
- Turn the appliance door over so that the outer side is now facing upwards (the hinges remain open).

Do not close the hinges. Danger of injury.

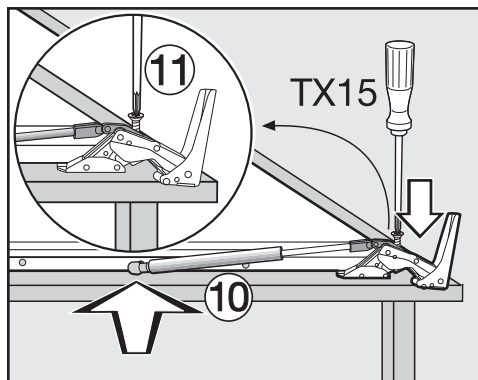


- Unscrew and remove screw ⑬.
- Replace the hinges in their diagonally opposite corners ⑭.

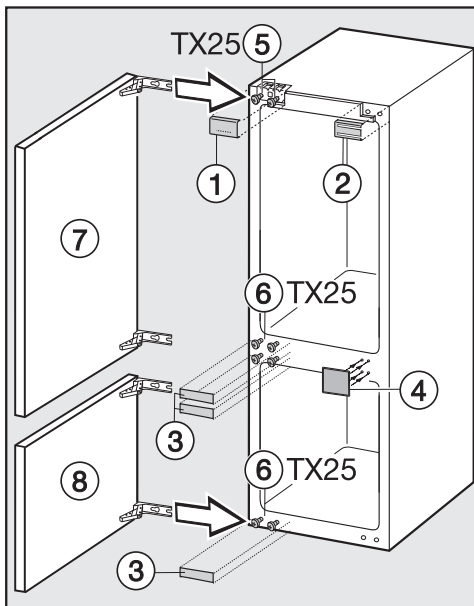
Changing the door hinging

To secure the soft-close mechanism

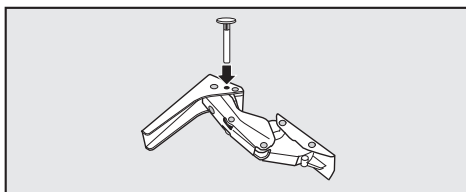
- Turn the appliance door over again so that the outer side is now facing downwards.



- Screw holder (11) onto the hinge and tighten securely.
- Open out soft-close mechanism (10) and hook it into the ball joint.



- Push doors (7) and (8) onto pre-fitted screws (5) and (6), then tighten screws (5) and (6).
- Refit covers (1), (2), (3) and (4).

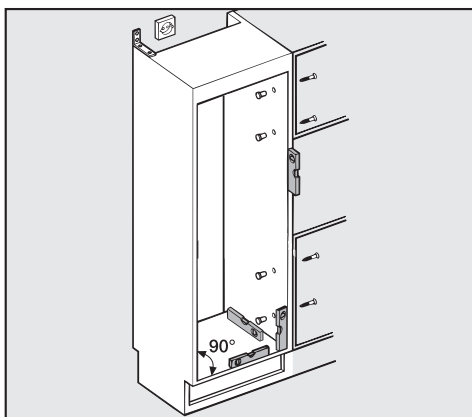


- Replace the locking pins into the top of the hinges to prevent the doors opening too far.

Building in the appliance

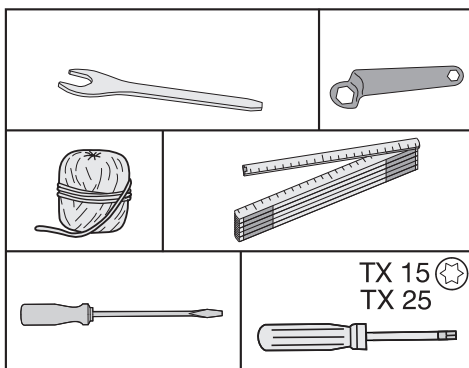
Two people are needed for installing this appliance.

- The appliance must be installed in stable and correctly aligned kitchen furniture on a level surface.
- The housing unit must be secured against the risk of tipping.



- Use a spirit level to align the housing unit.
The unit corners must be at right angles, as otherwise the furniture door will not align correctly with the 4 corners of the unit.
- The required ventilation gaps must be provided (see "Installation - Ventilation gaps").

To install the appliance you will need the following tools:

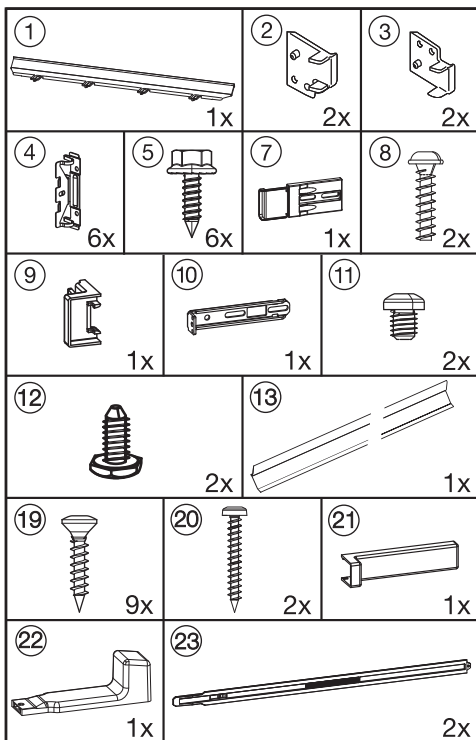


Building in the appliance

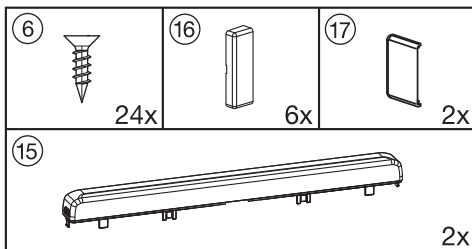
The following installation parts are required

All installation parts are number coded. This coding is also used in the installation instructions.

– required for installing the appliance in its housing unit:



– required for fitting the furniture door:

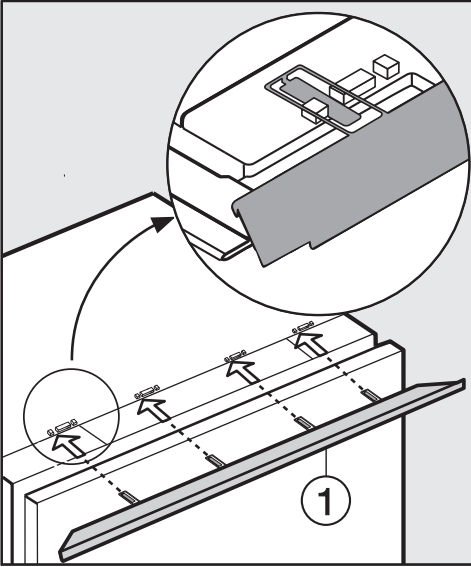


All fitting instructions given are for a **right-hand hinged** appliance. If you have converted the appliance to left-hand hinging you will need to adapt these instructions accordingly.

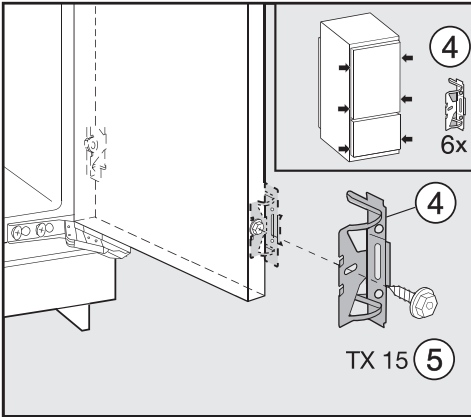
Preparing the appliance

- Position the appliance in front of the housing unit.

Building in the appliance



- Fit cover strip ① into position.



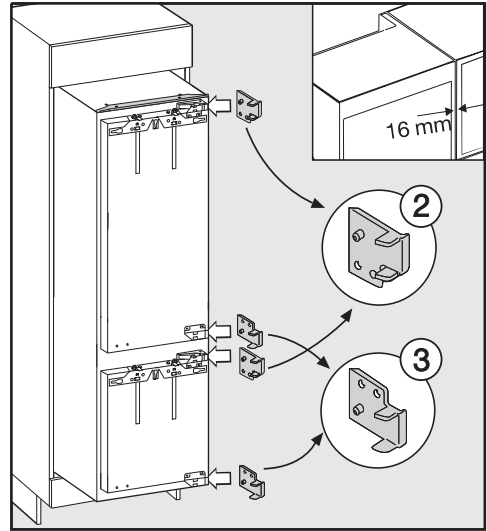
- Screw fixing bracket ④ using hex screw ⑤ to the pre-drilled holes in the appliance door. Using the pre-drilled holes in the appliance door, secure a second pair of fixing brackets ④ in the handle area of the door.

- Push the appliance two-thirds of the way into its niche.
When doing this, make sure that the mains cable does not get trapped.

Tip to help you push it into position:
Secure a length of string to the plug to "increase" the length of the connection cable.

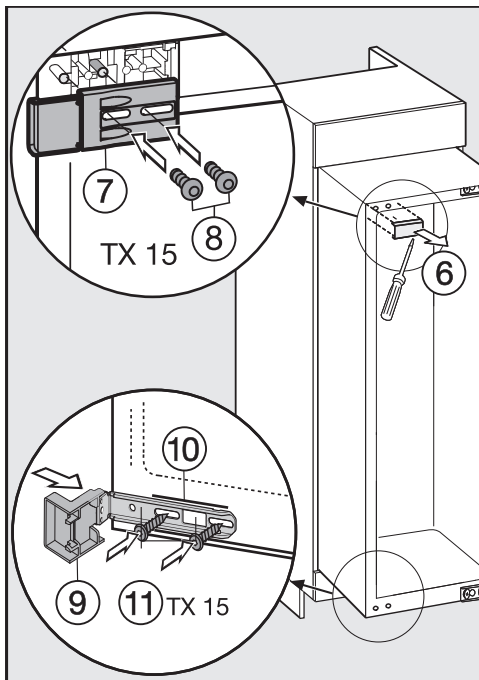
Then pull the cable by the end of the string through the housing unit. It will then be easier to connect once the appliance is in the unit.

With 16 mm thick unit walls:

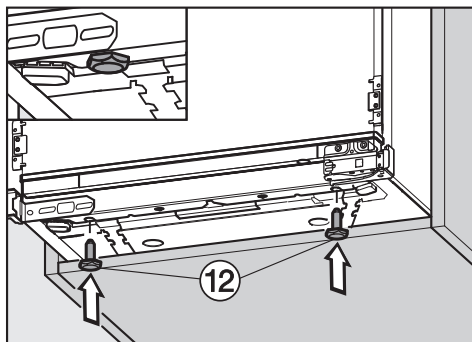


- Clip spacers ② and ③ on to the right-hand side of the hinges.
- Open both appliance doors.

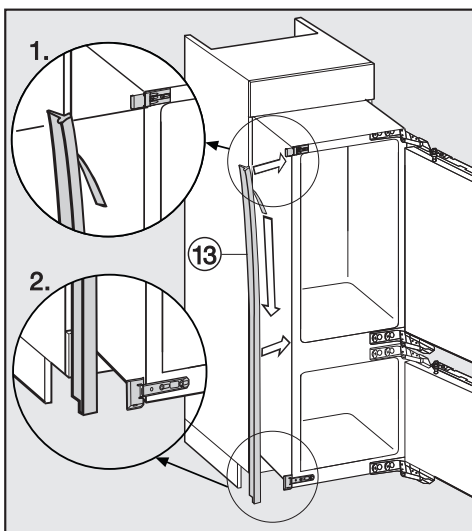
Building in the appliance



- Remove cover ⑥.
- Secure part ⑦ using screws ⑧ loosely into the top left-hand side of the appliance. Do not tighten the screws so that you can adjust the position of this part.
- Fit stopper ⑨ onto fixing bracket ⑩.
- Then screw fixing bracket ⑩ using screws ⑪ loosely into the bottom of the appliance. Do not tighten the screws so that you can adjust the position of this part.



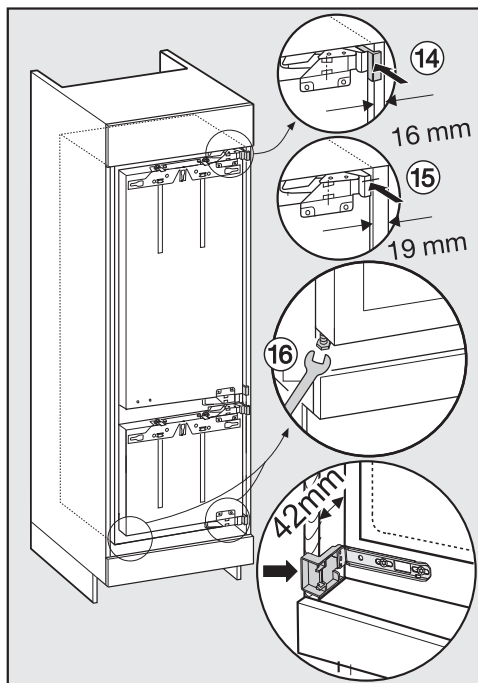
- Screw in adjustable feet ⑫ completely.



- Carefully remove the protective foil from sealing strip ⑬.
- Fix sealing strip ⑬ flush with the front of the appliance on the door opening side.
 1. Position the sealing strip flush with the lower edge of the top fixing.
 2. Stick it down along its entire length.

Installing the appliance

- Push the appliance into the niche until all fixing brackets are in line with the front edge of the furniture unit side wall.



- **14 With 16 mm thick walls:**
The spacers should touch the front edge at the top and bottom of the side walls of the housing unit.
- **15 With 19 mm thick walls:**
The front edges of the top and bottom hinges should be flush with the front edge of the housing side walls.

- Check the position of the fixing bracket at the top and bottom front edge of the furniture side wall again.

This will create a gap all round of **42 mm** to the front edges of the housing unit side walls.

On furniture with door fittings (e.g. stubs, seals etc) the dimension of these must be taken into account when making sure there is a gap all round of **42 mm**.

- Pull the appliance forwards by the dimension of the door fitting to keep the gap at 42 mm all round.

The hinges and the covers will now protrude by the dimension of the door fitting.

Tip: Remove the door fittings. This will ensure that the door is flush with the surrounding kitchen unit furniture doors.

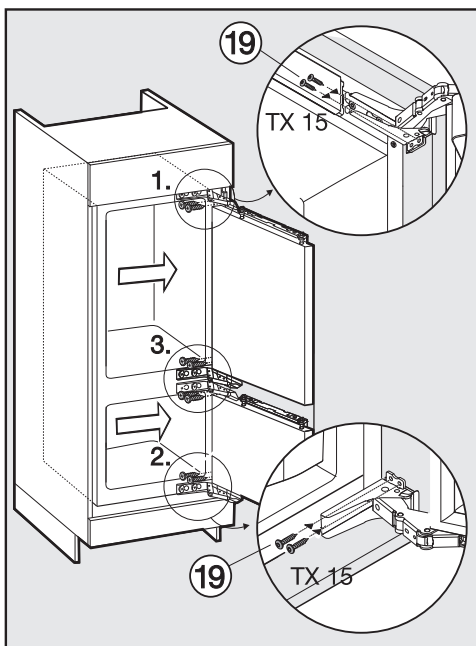
- **16** Align the appliance on both sides by altering the adjustable feet using the spanner supplied.

If the all round gap of 42 mm is not maintained between the appliance casing and the front edge of the housing unit side walls the door may not shut properly.

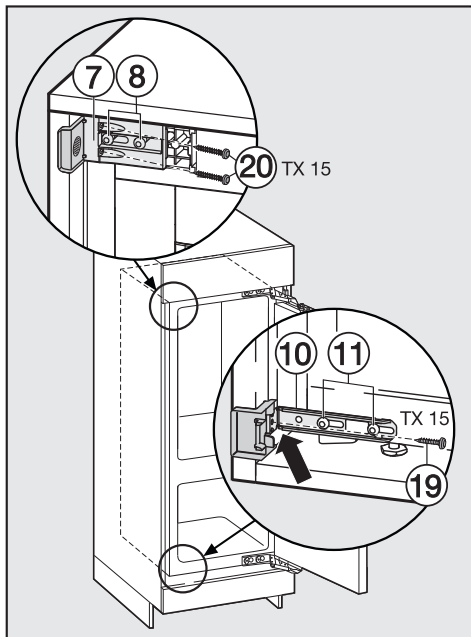
This can cause ice to build up, condensate to accumulate and lead to faults in the appliance. These can all lead to increased energy consumption.

Building in the appliance

Securing the appliance in the niche

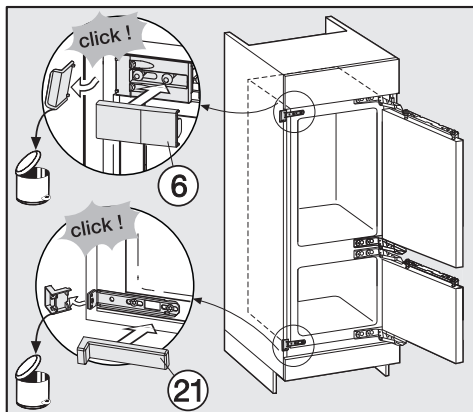


- Press the appliance against the side of the housing unit on the hinge side.
- Secure the appliance in the housing unit by screwing chip board screws ⑱ through the tabs on the hinges at the top, bottom and middle of the appliance.



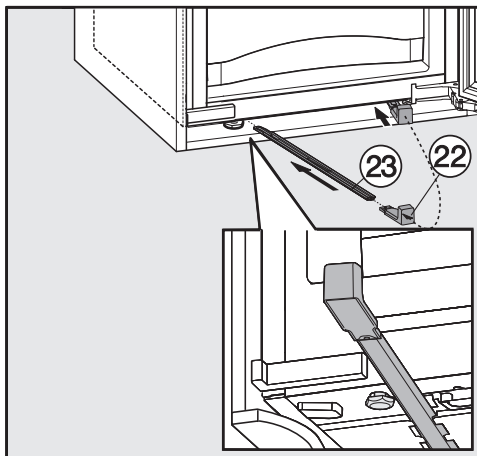
- Push the loose bracket up against the furniture wall.
- Attach fixing bracket ⑩ to the housing unit side wall with screw ⑱. Drill holes in the housing unit side walls if necessary.
- Attach fixing bracket ⑦ to the housing unit side wall with screws ⑳. Drill holes in the housing unit side walls if necessary.
Important Push the protruding bracket using your thumb towards the housing unit wall whilst tightening the screws. The appliance must not pull back into the unit.
- Retighten screws ⑧ and ⑪.

Building in the appliance



- Snap off any protruding ends from the fixing bracket. They are no longer required.
- Replace covers ⑥ and ②① on the fixing brackets.

For additional stability of the appliance in the unit push the rods supplied in underneath the appliance in between it and the floor of the housing unit.



- Then secure handle ②② to one of the rods ②③.
- Use the handle to push the rod into the guide as far as it will go. Remove the handle and fit it to the other rod and push this into its guide as far as it will go.

Important. Keep the handle somewhere safe in case you ever need to fit the appliance into a new housing unit.

- Close the appliance doors.

Building in the appliance

Fitting the furniture doors

The furniture door must be at least 16 mm thick and not exceed 19 mm thick.

The following gap dimensions must be maintained:

- The gap between the furniture door and a unit door above must be at least 3 mm.
- The vertical gap between furniture doors should also be about 3 mm. The exact dimension will vary depending on the radius of the furniture door edges.

If fitted in a run of units make sure that the top edge of the furniture door is at the same height as neighbouring unit doors.

The furniture door must be fitted correctly and not under tension.

Fitting a door front which is heavier than the maximum permitted could damage the hinges. This can cause subsequent functional problems.

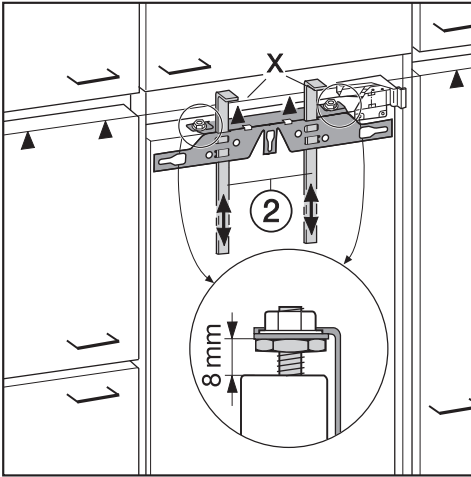
Before fitting furniture doors, ensure that the weight of the door does not exceed the maximum permitted:

Appliance	max. weight of upper door in kg	max. weight of lower door in kg
KFN 37432 iD	20	12
KFNS 37432 iD	20	12

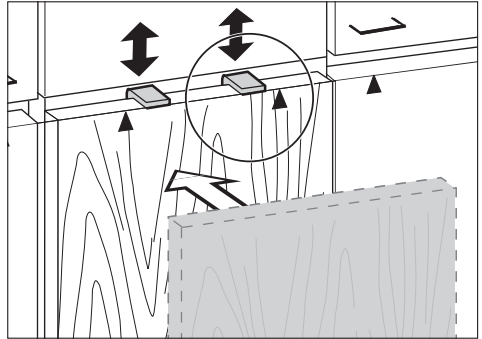
When fitting large or divided furniture doors an extra fitting kit or set of fixing brackets should be used. These are available to order from Miele.

Building in the appliance

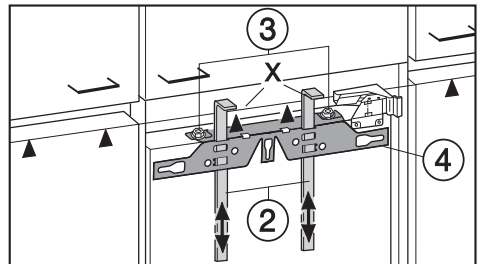
Carry out the following steps on both doors.



- A gap of 8 mm is set ex-works between the appliance door and the fixing bracket. Double check this gap and reset it if necessary.
- Push fitting aids ② up to the height of the furniture door: the lower edge X of the fitting aids must be at the same height as the upper edge of the furniture door being fitted (see ▲ on the diagram).



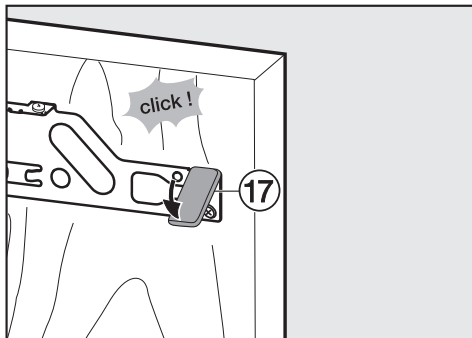
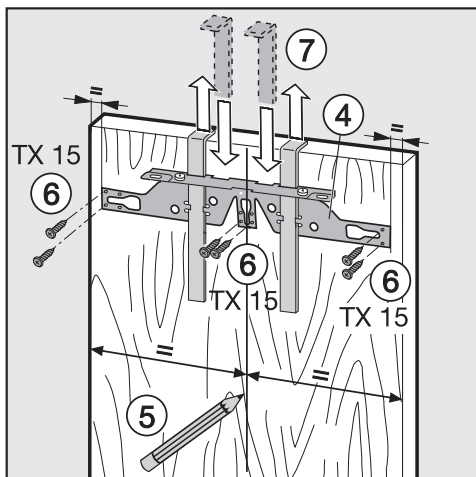
Tip: Push the fitting aids ② together with the furniture front up to the height adjoining unit furniture doors.



- Undo nuts ③ and take fixing bracket ④ off together with fitting aids ②.

Building in the appliance

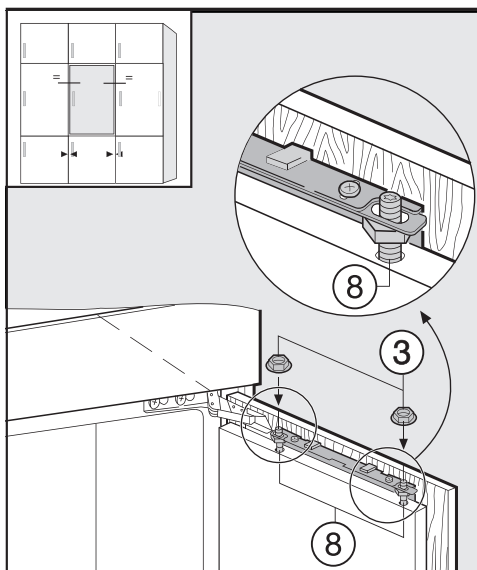
- Place the furniture door with the outer side downwards on a stable surface.



- Using a pencil, lightly mark a line down the centre of the inside of the furniture door ⑤.
- Hang fixing bracket ④ with the fitting aids onto the **inside** of the furniture door. Align the fixing bracket centrally.
- Attach the fixing bracket securely using at least 6 short chipboard screws ⑥. (On cassette doors only use 4 screws on the edges). Drill holes in the furniture door if necessary.
- Pull the fitting aids upwards to remove them ⑦.
Turn them around and fit them into the middle slots on the fixing bracket ⑦ for safe keeping.

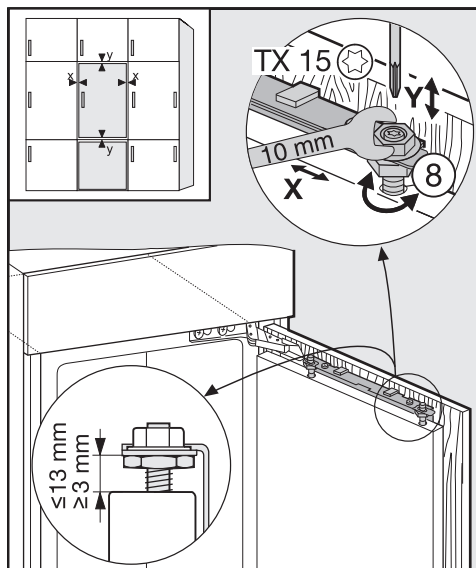
- Fit the side cover ⑰ over the fixing bracket on the hinge side.
- Turn the furniture door over and attach the handle if required.

- Open the appliance door.



- Hang the furniture door onto adjusting bolts ⑧.
- Loosely attach nuts ③ on the adjusting bolts.
- Close the door and check the distance between the door and neighbouring furniture doors. The gap should be even.

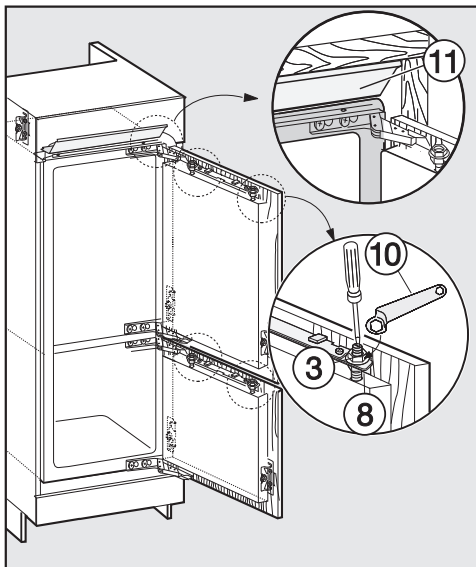
Adjusting the door



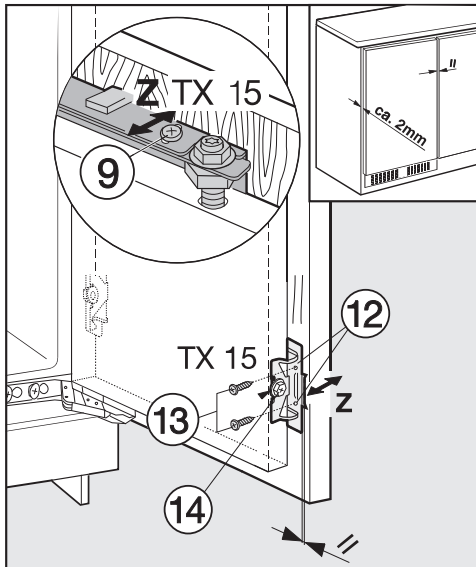
- **Side adjustments (X)**
- Slide the furniture door.
- **Height adjustment (Y)**
- Use a screwdriver to adjust bolts ⑧.

A gap of 8 mm is set ex-works between the appliance door and the fixing bracket. This must only be adjusted within its permitted range.

Building in the appliance



- Whilst counterholding adjusting bolts ⑧ with a screwdriver, tighten nuts ③ on the appliance doors with ring spanner ⑩.
- Cover strip ⑪ must be completely hidden in the niche, and must not protrude.



- Drill holes ⑫ in the furniture door and fit screws ⑬. Make sure the two metal edges are aligned (Symbol //).
- Close both doors.

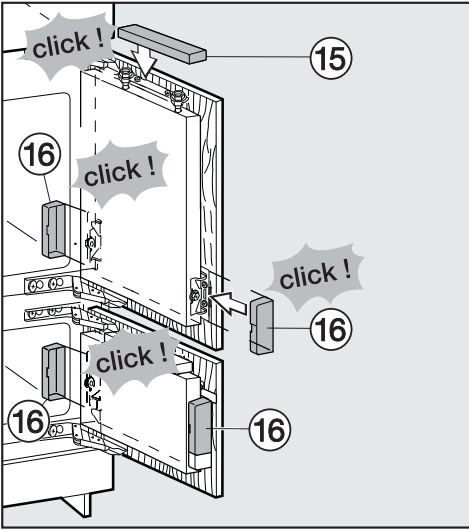
Aligning the door

– Depth adjustment (Z)

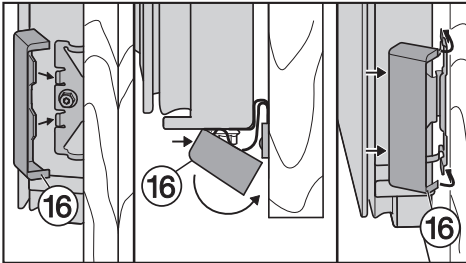
- Loosen screws ⑨ at the top of the appliance door, and screw ⑭ on the fixing bracket at the bottom. By moving the furniture door, create a gap of 2 mm between the furniture door and the housing unit.

Building in the appliance

- Tighten all screws again.



- Replace top cover ⑮, and click it into place.



- Replace side covers ⑯, making sure you hear them click into place.

To make sure the appliance is correctly fitted:

- The doors must close properly.
- The doors must not touch the housing unit.
- The seals at the top edge of the handle side must fit properly.
- To double check place a torch in the appliance and close the doors. Turn the lights out in the room. If you can see any light shining out from the sides double check the installation.

United Kingdom

Miele Co. Ltd.

Fairacres, Marcham Road

Abingdon, Oxon, OX14 1TW

Tel: 0845 365 0555

Customer Contact Centre Tel: 0845 365 6600

E-mail: info@miele.co.uk

Internet: www.miele.co.uk

Australia

Miele Australia Pty. Ltd.

ABN 96 005 635 398

1 Gilbert Park Drive, Knoxfield, VIC 3180

Tel: 1300 464 353, Fax: (03) 9764 7149

Internet: www.miele.com.au

China

Miele (Shanghai) Trading Ltd.

1-3 Floor, No. 82 Shi Men Yi Road

Jing' an District

200040 Shanghai, PRC

Tel: +86 21 6157 3500, Fax: +86 21 6157 3511

E-mail: info@miele.cn

Internet: www.miele.cn

Miele (Hong Kong) Limited

41/F - 4101, Manhattan Place

23 Wang Tai Road

Kowloon Bay

Hong Kong

Tel: (852) 2610 1331, Fax: (852) 2610 1013

Email: mielehk@miele.com.hk

India

Miele India Pvt. Ltd.

Ground Floor, Copia Corporate Suites

Plot No. 9, Jasola

New Delhi - 110025

Tel: 011-46 900 000, Fax: 011-46 900 001

E-mail: customercare@miele.in, Internet: www.miele.in

Ireland

Miele Ireland Ltd.

2024 Bianconi Avenue

Citywest Business Campus, Dublin 24

Tel: (01) 461 07 10, Fax: (01) 461 07 97

E-Mail: info@miele.ie, Internet: www.miele.ie

Manufacturer: Miele & Cie. KG

Carl-Miele-Straße 29, 33332 Gütersloh, Germany

Miele

Malaysia

Miele Sdn Bhd

Suite 12-2, Level 12

Menara SapuraKencana Petroleum

Solaris Dutamas No. 1, Jalan Dutamas 1

50480 Kuala Lumpur, Malaysia

Phone: +603-6209-0288

Fax: +603-6205-3768

New Zealand

Miele New Zealand Limited

8 College Hill

Freemans Bay, Auckland 1011, NZ

Tel: 0800 264 353, Fax: 0800 463 453

Internet: www.miele.co.nz

Singapore

Miele Southeast Asia

Miele Pte. Ltd.

163 Penang Road

04 - 02/03 Winsland House II

Singapore 238463

Tel: +65 6735 1191, Fax: +65 6735 1161

E-Mail: infosea@miele.com.sg

Internet: www.miele.sg

South Africa

Miele (Pty) Ltd

63 Peter Place, Bryanston 2194

P.O. Box 69434, Bryanston 2021

Tel: (011) 875 9000, Fax: (011) 875 9035

E-mail: info@miele.co.za

Internet: www.miele.co.za

United Arab Emirates

Miele Appliances Ltd.

P.O. Box 11 47 82

Gold & Diamond Park

Sheikh Zayed Road

Building 6 / Offices Nos. 6-214 to 6-220

Dubai

Tel: +971-4-341 84 44

Fax: +971-4-341 88 52

E-Mail: info@miele.ae, Internet: www.miele.ae

KFN 37432 iD, KFNS 37432 iD



en - GB

M.-Nr. 09 939 820 / 00