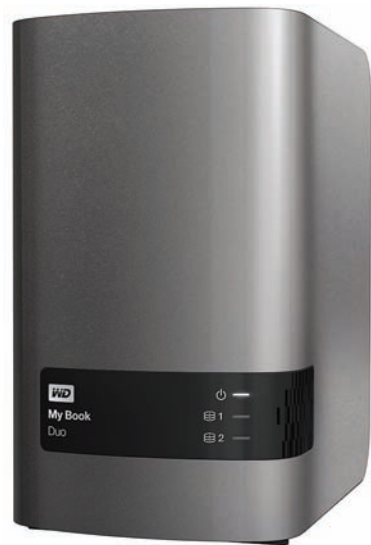
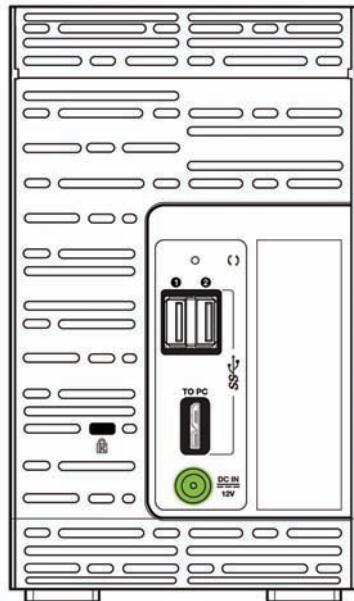
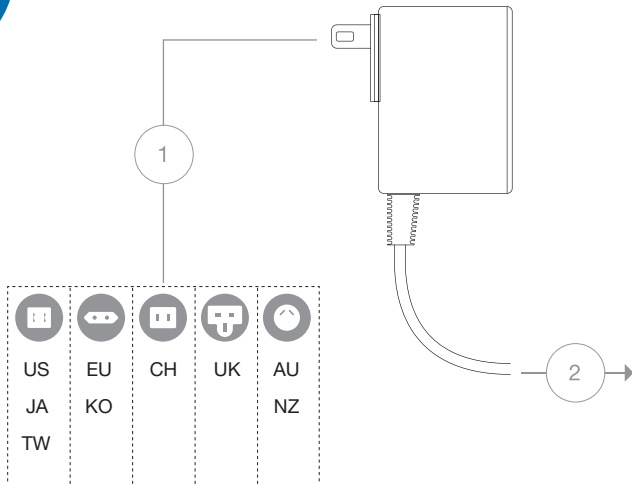




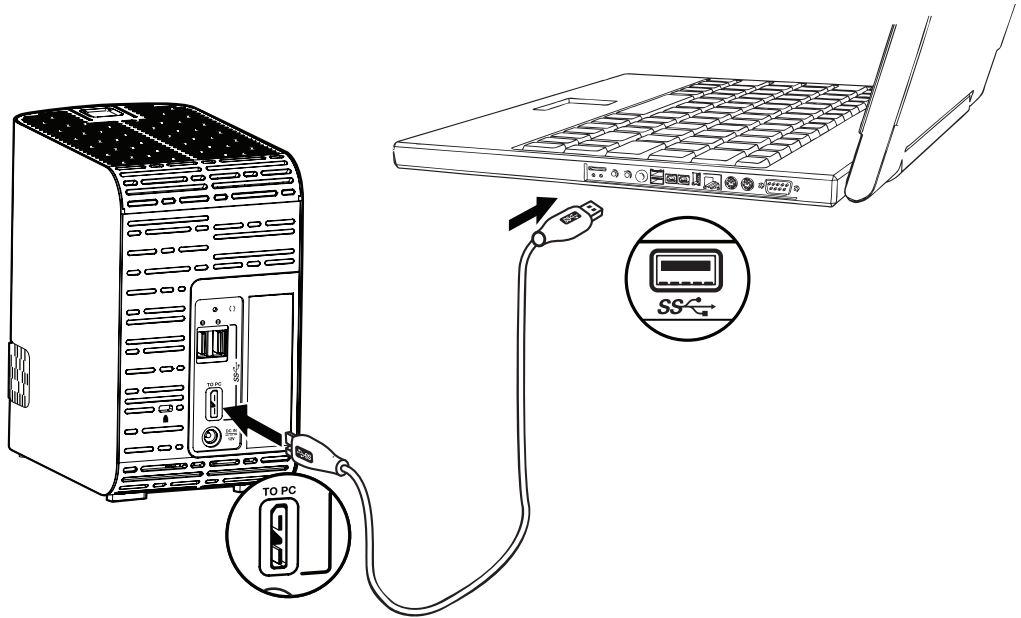
# My Book<sup>®</sup> Duo



1



2



3



# Technical Support Services

<http://support.wd.com>  
[www.wd.com](http://www.wd.com)



If you encounter problems with this product, please contact WD Technical Support.

---

## North America

English	800.ASK.4WDC (800.275.4932)
Spanish	800.832.4778

---

## Asia Pacific

(toll free where available)	+800.6008.6008
Asia Pacific (non toll free)	+65.6848.6008
Japan	00 531 650442/ 0120 994 120
Australia & New Zealand	+800.2275.4932

---

## Europe (toll free\*)

	00800.27549338
<i>* Austria, Belgium, Czech Republic, Denmark, France, Germany, Ireland, Italy, Netherlands, Norway, Poland, Slovakia, Spain, Sweden, Switzerland, United Kingdom</i>	
Europe (non toll free)	+31.880062100
Russia	8 10 8002 335 5011

---

## Middle East

	+31.880062100
--	---------------

---

## Africa

	+31.880062100
--	---------------

Western Digital, WD, the WD logo, and My Book are registered trademarks of Western Digital Technologies, Inc. in the U.S. and other countries. Other marks may be mentioned herein that belong to other companies. Specifications subject to change without notice.

© 2014 Western Digital Technologies, Inc.  
All rights reserved.

Western Digital  
3355 Michelson Drive, Suite 100  
Irvine, California U.S.A. 92612