

# USER MANUAL

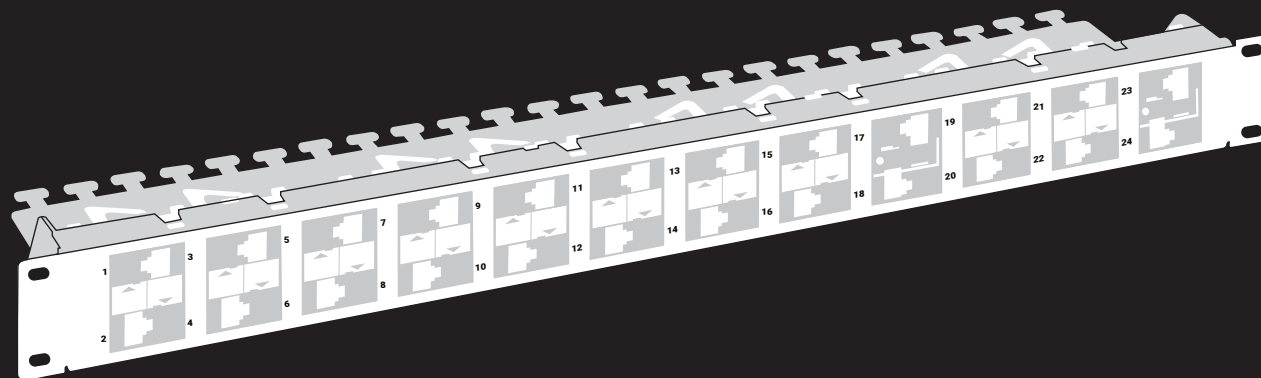
---

C6APP70-24

# CAT6A PATCH PANEL

---

24/7 TECHNICAL SUPPORT AT 1.877.877.2269 OR VISIT [BLACKBOX.COM](http://BLACKBOX.COM)



# TABLE OF CONTENTS

<b>1. SPECIFICATIONS.....</b>	<b>3</b>
1.1 General Specifications.....	3
1.2 Regulatory Compliance.....	
<b>2. OVERVIEW.....</b>	<b>4</b>
2.1 Introduction.....	4
2.2 What's Included.....	4
<b>3. INSTALLATION .....</b>	<b>5</b>
3.1 Step 1: Panel Mounting.....	5
3.2 Step 2: Prepare the Cable.....	5
3.3 Step 3: Punch Down the Wire.....	5
3.4 Step 4: Terminate the Remaining Cables.....	6
3.5 Step 5: Install the Cable Management Support Bar.....	6
3.6 Step 6: Secure the Terminated Horizontal Cable to the Cable Management Bar.....	7



# CHAPTER 1: SPECIFICATIONS

## 1.1 GENERAL SPECIFICATIONS

TABLE 1. C6APP70-24 SPECIFICATIONS

SPECIFICATION	DESCRIPTION
Connectors	(24) RJ45 female ports and (24) 110 IDC Ports
Standards	T568A or T568B
Dimensions	1.75" H x 19" W x 4.25" D (4.5 x 48.2 x 10.8 cm)
Weight	1.93 lb. (0.87 kg)
Conductor Diameter	24 AWG to 22 AWG
Insulation Diameters	0.0314" to 0.0433" (0.0797 x 0.110 cm)
Panel Construction	Metal SECC black power coating finish
Cable Manager	Metal SECC black power coating finish
RJ-45 Front Cover	ABS UL94V-0 rated
RJ-45 Contact Springs	Phosphor Bronze 0.35t, plated with 50u Gold at contact area over nickel undercoat

## 1.2 REGULATORY COMPLIANCE

The C6APP70-24 complies with the following certifications:

- ◆ FCC Part 68 Subpart F
- ◆ RoHS (CE)
- ◆ UL 1863 (for Communication Circuit Accessories)
- ◆ ETL verified



## CHAPTER 2: OVERVIEW

### 2.1 INTRODUCTION

This is a component level Category 6A, 110 punch down panel that supports 24 ports in a 1 rack unit space. The panel can be mounted in a relay rack or a data cabinet and enables users to make patching transitions from horizontal cable to typical patch cables. It offers an optional clip-on cable management bar included to help assist and organize terminated horizontal cables. This panel is made of sturdy metal construction to reduce flexing during termination. It supports T568A and T568B universal wiring schemes. Simply follow the color-coded guides on the rear panel.

### 2.2 WHAT'S INCLUDED

Your package should include the following items for the CAT6A Patch Panel. If anything is missing or damaged, contact Black Box Technical Support at 877-877-2269 or info @blackbox.com.

- ◆ (1) Category 6A Panel
- ◆ (1) Cable Management Bar
- ◆ (1) Bag of Stuffer Caps, 48 pieces
- ◆ (24) 4" Cable Ties
- ◆ (1) Bag of Cup Head Screws, (4 – 10x32 and 4 – 12x24)
- ◆ This user manual



## CHAPTER 3: INSTALLATION

### 3.1 STEP 1: PANEL MOUNTING

Mount the Category 6A panel in an open unused rack space that you may have.

NOTE: Do not install the Cable Management bar at this time. You will not be able to punch down the horizontal cable to the panel with the cable management on at this time.

### 3.2 STEP 2: PREPARE THE CABLE

Gather your un-terminated horizontal cabling runs that you wish to terminate to the rear of the CAT6A Patch Panel. Group and organize them as you wish to terminate. Prepare the horizontal cable by stripping back the cable jacket about 40 mm. See Figure 3-1.

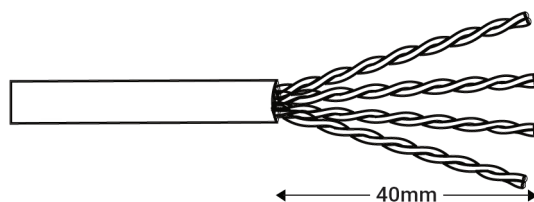


FIGURE 3-1. STRIP BACK CABLE JACKET

### 3.3 STEP 3: PUNCH DOWN THE WIRE

Starting from the outside and moving inward, untwist the horizontal cable and begin to lace the twisted pairs onto the 110 contacts on the rear of the patch panel. Choose from either the T568A or T568B wiring scheme. Try to keep the twisting of the pairs as close to the 110 contacts as possible. Use your 110 impact tool to punch down the wire to the panel. See Figure 3-2.

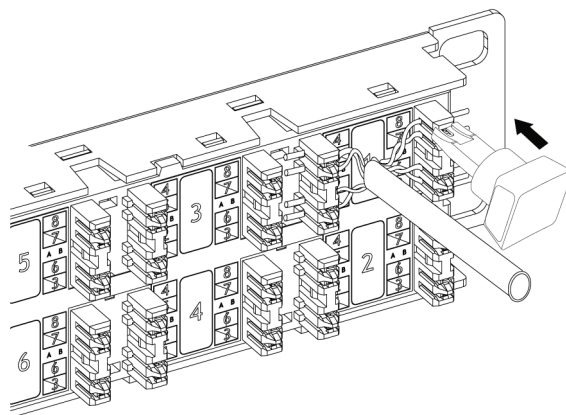


FIGURE 3-2. PUNCH DOWN THE WIRE

## CHAPTER 3: INSTALLATION

### 3.4 STEP 4: TERMINATE THE REMAINING CABLES

Continue on to the next horizontal cable and follow the same terminations procedures. See Figure 3-3.

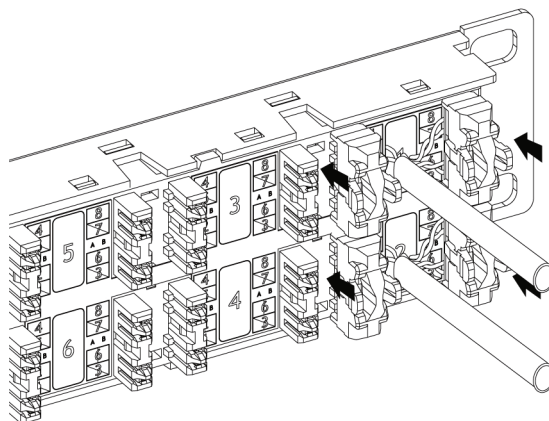


FIGURE 3-3. TERMINATE THE REMAINING CABLES

### 3.5 STEP 5: INSTALL THE CABLE MANAGEMENT SUPPORT BAR

After all the horizontal cable is terminated to the Category 6A patch panel – at this time you can install the optional cable management support bar. Get the one piece metal cable management support bar and clip it on to the ends of the patch panel as shown in Figures 3-4 and 3-5.

NOTE: Make sure that all the terminated horizontal cables rest on top of the cable management cross bar. See Figure 3-5.

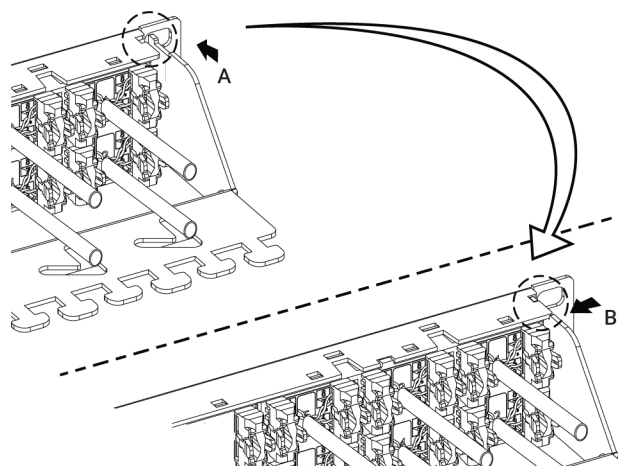


FIGURE 3-4. CLIP THE CABLE MANAGEMENT SUPPORT BAR ONTO THE PATCH PANEL

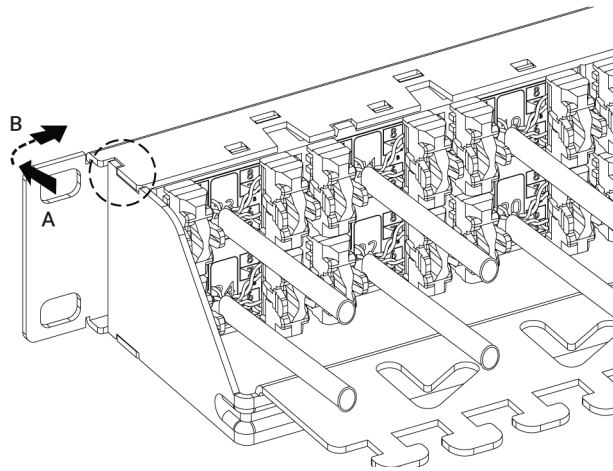


FIGURE 3-5. TERMINATED CABLES RESTING ON TOP OF THE CABLE SUPPORT BAR

## 3.6 STEP 6: SECURE THE CABLE TO THE BAR

Lastly use the cable ties supplied to secure the terminated horizontal cable to the cable management bar. Use one cable tie for each cabling run. See Figure 3-6.

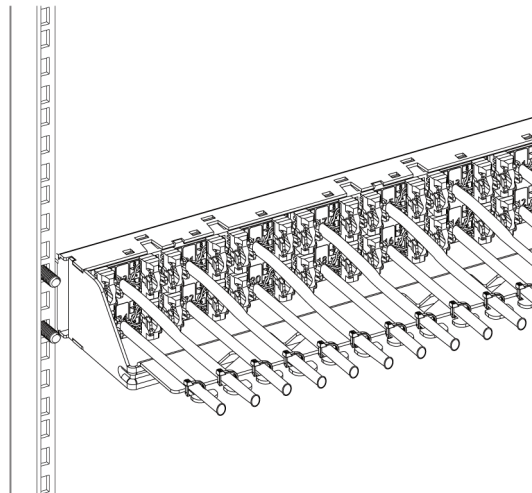


FIGURE 3-6. USING THE CABLE TIES

**NEED HELP?  
LEAVE THE TECH TO US**

---

**LIVE 24/7  
TECHNICAL  
SUPPORT**

---

**1.877.877.2269**

