



Owner's Manual Havis Touch Screen Display

TSD-101

Related Products

Havis provides vehicle-specific mounting solutions for the TSD-101. To check availability of a mounting solution for your vehicle, go to www.havis.com or call 1-800-524-9900 and search for C-DMM-2000 Series products.



CG-X
Auto Shut-Off Timer



KB-101
Havis Rugged Backlit USB Keyboard



Havis, Inc.

75 Jacksonville Road
Warminster, PA 18974

www.havis.com 1-800-524-9900



www.havis.com
1-800-524-9900

Havis is pleased to provide this Owner's Manual to aid in the proper installation and use of the TSD-101 Touch Screen Display.

For questions regarding the set-up of your TSD-101 Touch Screen Display, please contact Havis at 1-800-524-9900 or visit www.havis.com for additional product support and information.

This Owner's Manual applies to the following Part Numbers:
TSD-101

⚠ WARNING

- NEVER STOW OR MOUNT THE TOUCH SCREEN DISPLAY DIRECTLY IN A VEHICLE AIRBAG DEPLOYMENT ZONE.
- DO NOT USE TOUCH SCREEN DISPLAY WHILE DRIVING.

⚠ CAUTION

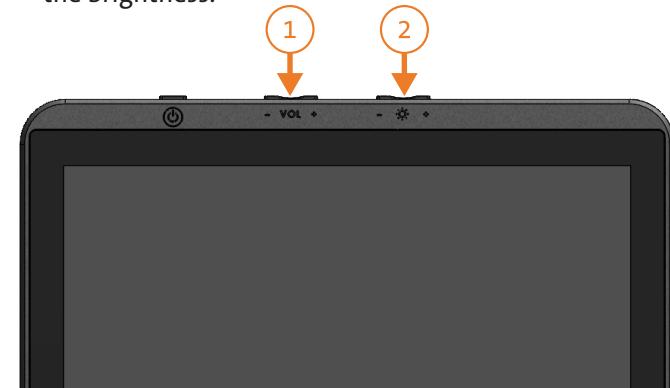
- READ ALL INSTRUCTIONS THOROUGHLY BEFORE BEGINNING INSTALLATION.
- TOUCH SCREEN DISPLAY MUST BE CONNECTED TO VEHICLE POWER THROUGH SUPPLIED LIND POWER SUPPLY WITH CABLES PROVIDED.
- DO NOT OPERATE TOUCH SCREEN DISPLAY WITH SHARP OBJECTS OR DAMAGE TO DISPLAY MAY OCCUR.
- ONLY CLEAN TOUCH SCREEN DISPLAY WITH NON-ABRASIVE/NON-HARSH CLOTHS/CLEANING SOLUTIONS OR DAMAGE TO DISPLAY MAY OCCUR.

NOTICE

- REFER TO SUPPLIED LIND POWER SUPPLY REFERENCE GUIDE FOR SPECIFIC INSTALLATION AND OPERATION OF POWER SUPPLY.

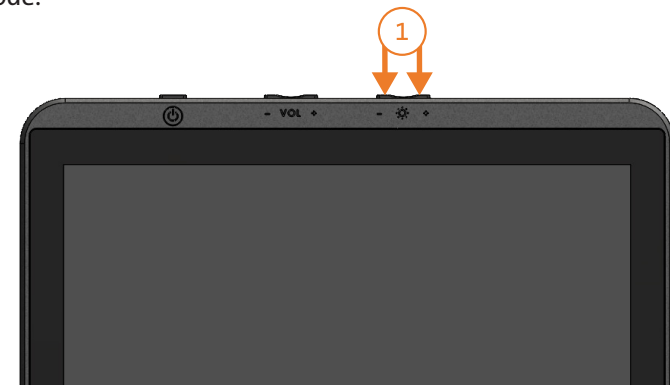
Using Control Buttons

- 1) **Volume:** Press and hold either button (VOL+ or VOL-) until the volume OSD appears on the screen. Then, press (+) to increase, or (-) to decrease the volume.
- 2) **Brightness:** Press and hold either button (+ or -) until the brightness OSD appears on the screen. Press (+) to increase, or (-) to decrease the brightness.



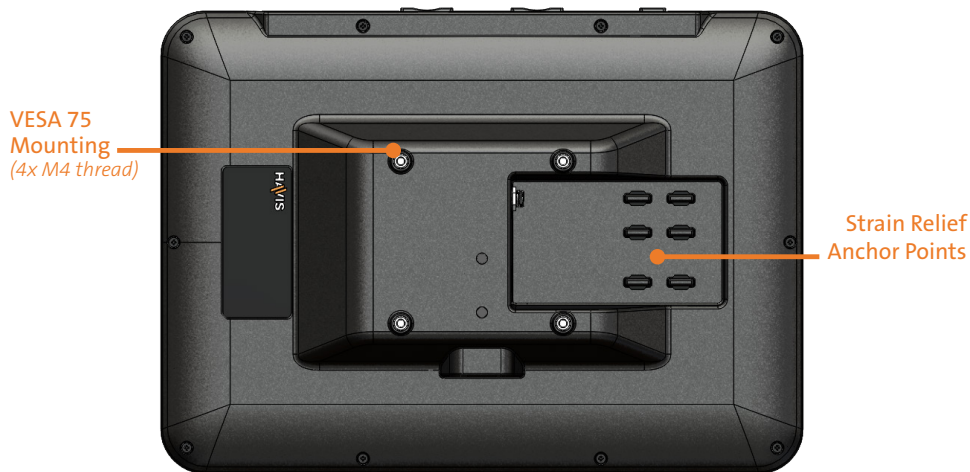
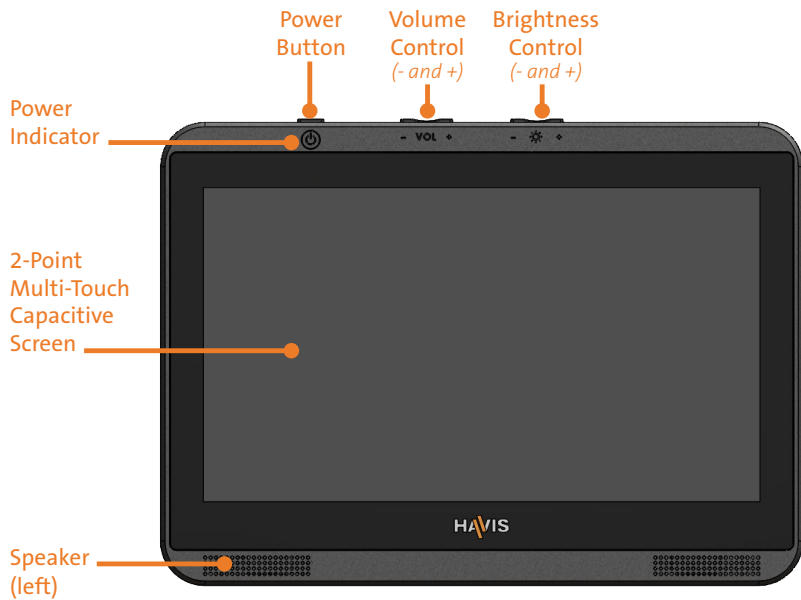
Activating Night Mode

- 1) Press both the (+) and (-) Brightness buttons simultaneously to activate Night Mode.
- 2) In Night Mode, the display will switch to a red monochrome color scheme to reduce eye strain in dark environments.
- 3) Press both the (+) and (-) Brightness buttons simultaneously to deactivate Night Mode.



Parts Included

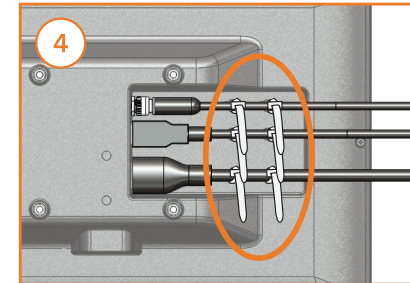
11.6" LCD Screen



Set-Up Instructions (continued)

Connecting to Vehicle Docking Station and Optional Keyboard (not included with TSD-101) (continued)

- 4) Use provided Zip Ties to secure each cable at both strain relief points.

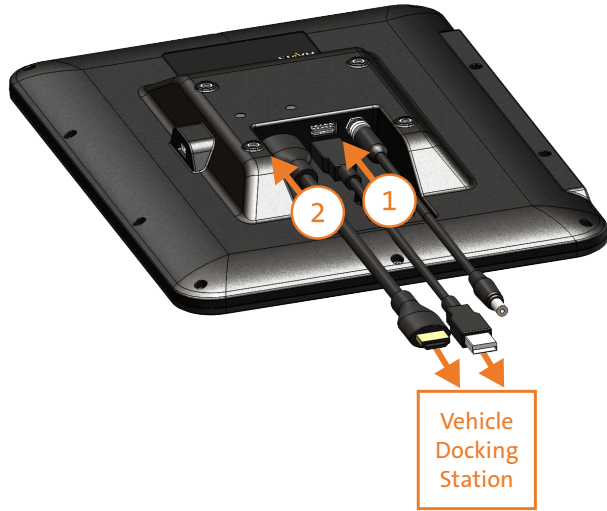


Vehicle Mounting

- 1) Havis provides vehicle-specific mounting solutions for the TSD-101. To check availability of a mounting solution for your vehicle, go to www.havis.com or call 1-800-524-9900 and search for C-DMM-2000 Series products.
- 2) Be sure to follow all installation instructions included with the vehicle-specific mounting solution.

Connecting to Vehicle Docking Station and Optional Keyboard (not included with TSD-101)

- 1) Connect one end of the USB 2.0 cable (male-male) to Touch Screen Display and the other end to the vehicle docking station.
- 2) Connect one end of the HDMI cable (male-male) to Touch Screen Display and the other end to the vehicle docking station.



- 3) Connect one end of the USB 2.0 cable (male-female) to Touch Screen Display and the other end to the optional keyboard (not included).



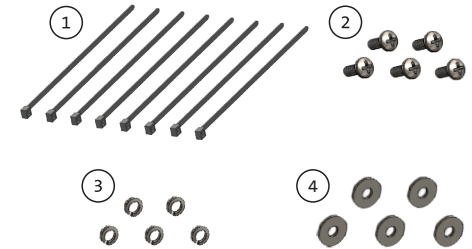
Cables



Display Hardware

This Hardware Kit includes:

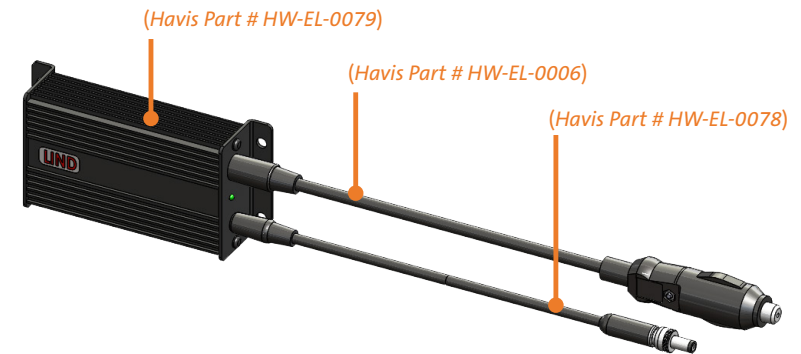
1. Zip Ties (8)
2. M4 x 0.7 x 10mm long Pan Head Screws (5)
3. Split Lock Washers, M4 (5)
4. Washers, M4 (5)



Tools required for installation:

- #2 Phillips
(For M4 Pan Head Screws)

Power Supply, Cables, & Mounting Hardware



Power Supply Hardware includes:

1. Zip Ties (2)
2. #10-16 x 3/4" long Drill Point Hex Head Screws (4)



Tools required for installation:

- 5/16" Hex Socket

Side view



Bottom view



Connecting to Power

- 1) Connect threaded end of the DC input cable to the Touch Screen Display and the other end to the Lind Power Supply.
- 2) Connect one end of the cigarette lighter power cable to the Lind Power Supply.



- 3) Plug into cigarette lighter receptacle connected to vehicle power.
- 4) The LED on the Lind Power Supply will illuminate green and the power indicator on the Touch Screen Display will illuminate amber to indicate that power is connected.