

Easy UPS 3M and Easy UPS 3L

Classic Battery Cabinet

Installation

E3MCBC7A, E3MCBC7B, E3MCBC10A, E3MCBC10B, E3MCBC10C, E3MCBC10D,
E3MCBC10E

Always go to www.se.com for the latest update and localized versions of the manual

10/2020



Legal Information

The Schneider Electric brand and any trademarks of Schneider Electric SE and its subsidiaries referred to in this guide are the property of Schneider Electric SE or its subsidiaries. All other brands may be trademarks of their respective owners.

This guide and its content are protected under applicable copyright laws and furnished for informational use only. No part of this guide may be reproduced or transmitted in any form or by any means (electronic, mechanical, photocopying, recording, or otherwise), for any purpose, without the prior written permission of Schneider Electric.

Schneider Electric does not grant any right or license for commercial use of the guide or its content, except for a non-exclusive and personal license to consult it on an "as is" basis. Schneider Electric products and equipment should be installed, operated, serviced, and maintained only by qualified personnel.

As standards, specifications, and designs change from time to time, information contained in this guide may be subject to change without notice.

To the extent permitted by applicable law, no responsibility or liability is assumed by Schneider Electric and its subsidiaries for any errors or omissions in the informational content of this material or consequences arising out of or resulting from the use of the information contained herein.

Table of Contents

Important Safety Instructions — SAVE THESE	
INSTRUCTIONS	5
Safety Precautions	6
Electrical Safety	8
Battery Safety	9
Specifications	11
Classic Battery Cabinet Specifications	11
Trip Settings	12
Recommended Cable Sizes	15
Torque Specifications	17
Classic Battery Cabinet Weights and Dimensions	17
Classic Battery Cabinet Shipping Weights and Dimensions	17
Environment	18
Clearance	18
Installation Procedure	19
Receiving	20
Unpack the Cabinet	20
Optional Cable Kits for Line-Up Solutions	21
Connect the Signal Cables to an Easy UPS 3M	22
Connect the Signal Cables to an Easy UPS 3L	25
Connect the Power Cables	29
Final Installation	31

Important Safety Instructions — SAVE THESE INSTRUCTIONS

Read these instructions carefully and look at the equipment to become familiar with it before trying to install, operate, service or maintain it. The following safety messages may appear throughout this manual or on the equipment to warn of potential hazards or to call attention to information that clarifies or simplifies a procedure.



The addition of this symbol to a “Danger” or “Warning” safety message indicates that an electrical hazard exists which will result in personal injury if the instructions are not followed.



This is the safety alert symbol. It is used to alert you to potential personal injury hazards. Obey all safety messages with this symbol to avoid possible injury or death.

DANGER

DANGER indicates a hazardous situation which, if not avoided, **will result in death or serious injury.**

Failure to follow these instructions will result in death or serious injury.

WARNING

WARNING indicates a hazardous situation which, if not avoided, **could result in death or serious injury.**

Failure to follow these instructions can result in death, serious injury, or equipment damage.

CAUTION

CAUTION indicates a hazardous situation which, if not avoided, **could result in minor or moderate injury.**

Failure to follow these instructions can result in injury or equipment damage.

NOTICE

NOTICE is used to address practices not related to physical injury. The safety alert symbol shall not be used with this type of safety message.

Failure to follow these instructions can result in equipment damage.

Please Note

Electrical equipment should only be installed, operated, serviced, and maintained by qualified personnel. No responsibility is assumed by Schneider Electric for any consequences arising out of the use of this material.

A qualified person is one who has skills and knowledge related to the construction, installation, and operation of electrical equipment and has received safety training to recognize and avoid the hazards involved.

Safety Precautions

DANGER

HAZARD OF ELECTRIC SHOCK, EXPLOSION, OR ARC FLASH

Read all instructions in the installation manual before installing or working on this product.

Failure to follow these instructions will result in death or serious injury.

DANGER

HAZARD OF ELECTRIC SHOCK, EXPLOSION, OR ARC FLASH

Do not install the product until all construction work has been completed and the installation room has been cleaned.

Failure to follow these instructions will result in death or serious injury.

DANGER

HAZARD OF ELECTRIC SHOCK, EXPLOSION, OR ARC FLASH

The product must be installed according to the specifications and requirements as defined by Schneider Electric. It concerns in particular the external and internal protections (upstream breakers, battery breakers, cabling, etc.) and environmental requirements. No responsibility is assumed by Schneider Electric if these requirements are not respected.

Failure to follow these instructions will result in death or serious injury.

DANGER

HAZARD OF ELECTRIC SHOCK, EXPLOSION, OR ARC FLASH

The UPS system must be installed according to local and national regulations. Install the UPS according to:

- IEC 60364 (including 60364-4-41- protection against electric shock, 60364-4-42 - protection against thermal effect, and 60364-4-43 - protection against overcurrent), or
- NEC NFPA 70, or
- Canadian Electrical Code (C22.1, Part 1)

depending on which one of the standards apply in your local area.

Failure to follow these instructions will result in death or serious injury.

DANGER

HAZARD OF ELECTRIC SHOCK, EXPLOSION, OR ARC FLASH

- Install the product in a temperature controlled indoor environment free of conductive contaminants and humidity.
- Install the product on a non-flammable, level and solid surface (e.g. concrete) that can support the weight of the system.

Failure to follow these instructions will result in death or serious injury.

⚠ ⚠ DANGER

HAZARD OF ELECTRIC SHOCK, EXPLOSION, OR ARC FLASH

The product is not designed for and must therefore not be installed in the following unusual operating environments:

- Damaging fumes
- Explosive mixtures of dust or gases, corrosive gases, or conductive or radiant heat from other sources
- Moisture, abrasive dust, steam or in an excessively damp environment
- Fungus, insects, vermin
- Salt-laden air or contaminated cooling refrigerant
- Pollution degree higher than 2 according to IEC 60664-1
- Exposure to abnormal vibrations, shocks, and tilting
- Exposure to direct sunlight, heat sources, or strong electromagnetic fields

Failure to follow these instructions will result in death or serious injury.

⚠ ⚠ DANGER

HAZARD OF ELECTRIC SHOCK, EXPLOSION, OR ARC FLASH

Do not drill or cut holes for cables or conduits with the gland plates installed and do not drill or cut holes in close proximity to the UPS.

Failure to follow these instructions will result in death or serious injury.

⚠ ⚠ WARNING

HAZARD OF ARC FLASH

Do not make mechanical changes to the product (including removal of cabinet parts or drilling/cutting of holes) that are not described in the installation manual.

Failure to follow these instructions can result in death, serious injury, or equipment damage.


NOTICE

RISK OF OVERHEATING

Respect the space requirements around the product and do not cover the ventilation openings when the product is in operation.

Failure to follow these instructions can result in equipment damage.


Electrical Safety

 DANGER

HAZARD OF ELECTRIC SHOCK, EXPLOSION, OR ARC FLASH

- Electrical equipment must be installed, operated, serviced, and maintained only by qualified personnel.
- Apply appropriate personal protective equipment (PPE) and follow safe electrical work practices.
- Turn off all power supplying the UPS system before working on or inside the equipment.
- Before working on the UPS system, check for hazardous voltage between all terminals including the protective earth.
- The UPS contains an internal energy source. Hazardous voltage can be present even when disconnected from the mains supply. Before installing or servicing the UPS system, ensure that the units are OFF and that mains and batteries are disconnected. Wait five minutes before opening the UPS to allow the capacitors to discharge.
- The UPS must be properly earthed/grounded and due to a high leakage current, the earthing/grounding conductor must be connected first.

Failure to follow these instructions will result in death or serious injury.


 DANGER

HAZARD OF ELECTRIC SHOCK, EXPLOSION, OR ARC FLASH

In systems where backfeed protection is not part of the standard design, an automatic isolation device (backfeed protection option or other device meeting the requirements of IEC/EN 62040-1 or UL1778 5th Edition – depending on which of the two standards apply to your local area) must be installed to prevent hazardous voltage or energy at the input terminals of the isolation device. The device must open within 15 seconds after the upstream power supply fails and must be rated according to the specifications.

Failure to follow these instructions will result in death or serious injury.

When the UPS input is connected through external isolators that, when opened, isolate the neutral or when the automatic backfeed isolation is provided external to the equipment or is connected to an IT power distribution system, a label must be fitted at the UPS input terminals, and on all primary power isolators installed remote from the UPS area and on external access points between such isolators and the UPS, by the user, displaying the following text (or equivalent in a language which is acceptable in the country in which the UPS system is installed):

 DANGER

HAZARD OF ELECTRIC SHOCK, EXPLOSION, OR ARC FLASH

Risk of Voltage Backfeed. Before working on this circuit: Isolate the UPS and check for hazardous voltage between all terminals including the protective earth.

Failure to follow these instructions will result in death or serious injury.

Battery Safety

DANGER

HAZARD OF ELECTRIC SHOCK, EXPLOSION OR ARC FLASH

- Battery circuit breakers must be installed according to the specifications and requirements as defined by Schneider Electric.
- Servicing of batteries must only be performed or supervised by qualified personnel knowledgeable of batteries and the required precautions. Keep unqualified personnel away from batteries.
- Disconnect charging source prior to connecting or disconnecting battery terminals.
- Do not dispose of batteries in a fire as they can explode.
- Failed batteries can reach temperatures that exceed the burn thresholds for touchable surfaces.
- Do not open, alter, or mutilate batteries. Released electrolyte is harmful to the skin and eyes. It may be toxic.

Failure to follow these instructions will result in death or serious injury.

DANGER

HAZARD OF ELECTRIC SHOCK, EXPLOSION, OR ARC FLASH

Batteries can present a risk of electric shock and high short-circuit current. The following precautions must be observed when working on batteries:

- Remove watches, rings, or other metal objects.
- Use tools with insulated handles.
- Wear protective glasses, gloves, and boots.
- Do not lay tools or metal parts on top of batteries.
- Disconnect the charging source prior to connecting or disconnecting battery terminals.
- Determine if the battery is inadvertently grounded. If inadvertently grounded, remove source from ground. Contact with any part of a grounded battery can result in electric shock and burns by high short-circuit current. The likelihood of such shock can be reduced if such grounds are removed during installation and maintenance by a skilled person (applicable to equipment and remote battery supplies not having a grounded supply circuit).

Failure to follow these instructions will result in death or serious injury.

DANGER

HAZARD OF ELECTRIC SHOCK, EXPLOSION, OR ARC FLASH

When replacing batteries, always replace with the same type and number of batteries or battery packs. Refer to the label in the classic battery cabinet for information on batteries in your system.

Failure to follow these instructions will result in death or serious injury.

▲ CAUTION**RISK OF EQUIPMENT DAMAGE**

- Wait until the system is ready to be powered up before installing batteries in the system. The time duration from battery installation until the UPS system is powered up must not exceed 72 hours or 3 days.
- Batteries must not be stored more than six months due to the requirement of recharging. If the UPS system remains de-energized for a long period, we recommend that you energize the UPS system for a period of 24 hours at least once every month. This charges the batteries, thus avoiding irreversible damage.

Failure to follow these instructions can result in injury or equipment damage.

Specifications

NOTICE
HAZARD OF EQUIPMENT DAMAGE
Refer to the UPS installation manual for detailed specifications for the UPS system.
Failure to follow these instructions can result in equipment damage.

Classic Battery Cabinet Specifications

 DANGER
HAZARD OF ELECTRIC SHOCK, EXPLOSION OR ARC FLASH
The classic battery cabinet must only be used with the Easy UPS 3M or the Easy UPS 3L.
Failure to follow these instructions will result in death or serious injury.

Commercial reference	Battery type	Breaker type	Number of battery blocks
E3MCBC7A	SWL1100	Compact NSX250S DC (LV438219+LV430100)	40
E3MCBC7B	XP12V1800	Compact NSX250S DC (LV438219+LV430101)	36
E3MCBC10A	XP12V2500	Compact NSX400S DC (LV438272)	36
E3MCBC10B	XP12V3000	Compact NSX400S DC (LV438272)	36
E3MCBC10C	XP12V3000	Compact NSX400S DC (LV438272)	40
E3MCBC10D	XP12V2500	Compact NSX630S DC (LV438274)	2 x 36
E3MCBC10E	XP12V3000	Compact NSX630S DC (LV438274)	2 x 36

Trip Settings

Easy UPS 3M 60-100 kVA UPS

Commercial reference	Breaker type	60 kVA		80 kVA		100 kVA	
		I _r	I _m	I _r	I _m	I _r	I _m
E3MCBC7A	Compact NSX250S DC (LV438219+LV430100)	160	440 (fixed)	180	440 (fixed)	–	–
2 x E3MCBC7A	Compact NSX250S DC (LV438219+LV430100)	140	440 (fixed)	140	440 (fixed)	140	440 (fixed)
E3MCBC7B	Compact NSX250S DC (LV438219+LV430101)	200	520 (fixed)	250	520 (fixed)	250	520 (fixed)
2 x E3MCBC7B	Compact NSX250S DC (LV438219+LV430101)	175	520 (fixed)	175	520 (fixed)	175	520 (fixed)
E3MCBC10A	Compact NSX400S DC (LV438272)	280	1000	280	1000	320	1000
E3MCBC10B	Compact NSX400S DC (LV438272)	280	1000	280	1000	320	1000
E3MCBC10C	Compact NSX400S DC (LV438272)	280	1000	280	1000	280	1000
E3MCBC10D	Compact NSX630S DC (LV438274)	420	1500	420	1500	420	1500
E3MCBC10E	Compact NSX630S DC (LV438274)	420	1500	420	1500	420	1500

Easy UPS 3M 120-200 kVA UPS

Commercial reference	Breaker type	120 kVA		160 kVA		200 kVA	
		I _r	I _m	I _r	I _m	I _r	I _m
2 x E3MCBC7A	Compact NSX250S DC (LV438219)	160	440 (fixed)	–	–	–	–
2 x E3MCBC7B	Compact NSX250S DC (LV438219)	200	520 (fixed)	250	520 (fixed)	–	–
E3MCBC10A	Compact NSX400S DC (LV438272)	360	1000	–	–	–	–
2 x E3MCBC10A	Compact NSX400S DC (LV438272)	280	1000	280	1000	320	1000
E3MCBC10B	Compact NSX400S DC (LV438272)	360	1000	–	–	–	–
2 x E3MCBC10B	Compact NSX400S DC (LV438272)	280	1000	280	1000	320	1000
E3MCBC10C	Compact NSX400S DC (LV438272)	320	1000	400	1000	400	1000
2 x E3MCBC10C	Compact NSX400S DC (LV438272)	280	1000	280	1000	280	1000
E3MCBC10D	Compact NSX630S DC (LV438274)	420	1500	480	1500	600	1500
2 x E3MCBC10D	Compact NSX630S DC (LV438274)	420	1500	420	1500	420	1500
E3MCBC10E	Compact NSX630S DC (LV438274)	420	1500	480	1500	600	1500
2 x E3MCBC10E	Compact NSX630S DC (LV438274)	420	1500	420	1500	420	1500
E3MCBC10A+ E3MCBC10D	Compact NSX400S DC (LV438272)	280	280	280	280	280	280
	Compact NSX630S DC (LV438274)	420	420	420	420	420	420

Easy UPS 3M 120-200 kVA UPS (Continued)

Commercial reference	Breaker type	120 kVA		160 kVA		200 kVA	
		Ir	Im	Ir	Im	Ir	Im
E3MCBC10B+ E3MCBC10E	Compact NSX400S DC (LV438272)	280	280	280	280	280	280
	Compact NSX630S DC (LV438274)	420	420	420	420	420	420

Easy UPS 3L 250-400 kVA UPS

Commercial reference	Breaker type	250 kVA		300 kVA		400 kVA	
		Ir	Im	Ir	Im	Ir	Im
E3MCBC10B	Compact NSX400S DC (LV438272)	400	1000	–	–	–	–
E3MCBC10C	Compact NSX400S DC (LV438272)	400	1000	–	–	–	–
E3MCBC10D	Compact NSX630S DC (LV438274)	600	1500	600	1500	600	1500
E3MCBC10E	Compact NSX630S DC (LV438274)	600	1500	600	1500	600	1500
2 x E3MCBC7B	Compact NSX250S DC (LV438219)	250	520	250	520	–	–
2 x E3MCBC10A	Compact NSX400S DC (LV438272)	400	1000	400	1000	400	1000
2 x E3MCBC10B	Compact NSX400S DC (LV438272)	400	1000	400	1000	400	1000
2 x E3MCBC10C	Compact NSX400S DC (LV438272)	360	1000	400	1000	400	1000
2 x E3MCBC10D	Compact NSX630S DC (LV438274)	420	1500	480	1500	600	1500
2 x E3MCBC10E	Compact NSX630S DC (LV438274)	420	1500	480	1500	600	1500
3 x E3MCBC7A	Compact NSX250S DC (LV438219)	200	520	200	520	–	–
3 x E3MCBC7B	Compact NSX250S DC (LV438219)	250	520	250	520	250	520
3 x E3MCBC10A	Compact NSX400S DC (LV438272)	280	1000	320	1000	400	1000
3 x E3MCBC10B	Compact NSX400S DC (LV438272)	280	1000	320	1000	400	1000
3 x E3MCBC10C	Compact NSX400S DC (LV438272)	280	1000	280	1000	400	1000
3 x E3MCBC10D	Compact NSX630S DC (LV438274)	420	1500	420	1500	420	1500
3 x E3MCBC10E	Compact NSX630S DC (LV438274)	420	1500	420	1500	420	1500


Easy UPS 3L 500-600 kVA UPS

Commercial reference	Breaker type	500 kVA		600 kVA	
		Ir	Im	Ir	Im
2 x E3MCBC10D	Compact NSX630S DC (LV438274)	600	1500	–	–
2 x E3MCBC10E	Compact NSX630S DC (LV438274)	600	1500	–	–

Easy UPS 3L 500-600 kVA UPS (Continued)

Commercial reference	Breaker type	500 kVA		600 kVA	
		Ir	Im	Ir	Im
3 x E3MCBC10D	Compact NSX630S DC (LV438274)	540	1500	600	1500
3 x E3MCBC10E	Compact NSX630S DC (LV438274)	540	1500	600	1500

Recommended Cable Sizes

 **DANGER**

HAZARD OF ELECTRIC SHOCK, EXPLOSION, OR ARC FLASH

All wiring must comply with all applicable national and/or electrical codes. The maximum allowable cable size is 70 mm² for Easy UPS 3M 60-100 kVA. The maximum allowable cable size is 150 mm² for Easy UPS 3M 120-200 kVA and Easy UPS 3L 250-600 kVA.

Failure to follow these instructions will result in death or serious injury.

NOTE: Overcurrent protection is to be provided by others.

Cable sizes in this manual are based on table B.52.3 (52-C2) of IEC 60364-5-52 with the following assertions:

- 90 °C conductors
- An ambient temperature of 30 °C
- Use of copper conductors
- Installation method C

Protective Earth (PE) cables are sized in accordance with table 54.3 of IEC 60364-4-54, Article 543.

If the ambient temperature is greater than 30 °C, larger conductors are to be selected in accordance with the correction factors of the IEC.

Easy UPS 3M 60-100 kVA UPS

Commercial reference	60 kVA		80 kVA		100 kVA	
	DC (±, N) (mm ²)	DC PE (mm ²)	DC (±, N) (mm ²)	DC PE (mm ²)	DC (±, N) (mm ²)	DC PE (mm ²)
E3MCBC7A	35	16	50	25	–	–
2 x E3MCBC7A	35	16	35	16	35	16
E3MCBC7B	50	25	70	35	70	35
2 x E3MCBC7B	50	25	50	25	50	25
E3MCBC10A	2 x 50	50	2 x 50	50	2 x 50	50
E3MCBC10B	2 x 50	50	2 x 50	50	2 x 50	50
E3MCBC10C	2 x 50	50	2 x 50	50	2 x 50	50
E3MCBC10D	2 x 70	70	2 x 70	70	2 x 70	70
E3MCBC10E	2 x 70	70	2 x 70	70	2 x 70	70

Easy UPS 3M 120-200 kVA UPS

Commercial reference	120 kVA		160 kVA		200 kVA	
	DC (±, N) (mm ²)	DC PE (mm ²)	DC (±, N) (mm ²)	DC PE (mm ²)	DC (±, N) (mm ²)	DC PE (mm ²)
2 x E3MCBC7A	35	16	50	25	–	–
2 x E3MCBC7B	70	35	70	35	70	35
E3MCBC10A	120	70	–	–	–	–
2 x E3MCBC10A	95	50	95	50	120	70
E3MCBC10B	120	70	–	–	–	–
2 x E3MCBC10B	95	50	95	50	120	70
E3MCBC10C	95	50	150 or 2 x 70	95	150 or 2 x 70	95
2 x E3MCBC10C	95	50	95	50	95	50
E3MCBC10D	150 or 2 x 70	95	2 x 95	95	2 x 120	120
2 x E3MCBC10D	150	95	150	95	150	95

Easy UPS 3M 120-200 kVA UPS (Continued)

Commercial reference	120 kVA		160 kVA		200 kVA	
	DC (±, N) (mm ²)	DC PE (mm ²)	DC (±, N) (mm ²)	DC PE (mm ²)	DC (±, N) (mm ²)	DC PE (mm ²)
E3MCBC10E	150 or 2 x 70	95	2 x 95	95	2 x 120	120
2 x E3MCBC10E	150	95	150	95	150	95
E3MCBC10A+ E3MCBC10D	95	95	95	95	95	95
	150	150	150	150	150	150
E3MCBC10B+ E3MCBC10E	95	95	95	95	95	95
	150	150	150	150	150	150

Easy UPS 3L 250-400 kVA UPS

Commercial reference	250 kVA		300 kVA		400 kVA	
	DC (±, N) (mm ²)	DC PE (mm ²)	DC (±, N) (mm ²)	DC PE (mm ²)	DC (±, N) (mm ²)	DC PE (mm ²)
E3MCBC10B	150 or 2 x 70	95	–	–	–	–
E3MCBC10C	150 or 2 x 70	95	–	–	–	–
E3MCBC10D	2 x 120	120	2 x 120	120	2 x 120	120
E3MCBC10E	2 x 120	120	2 x 120	120	2 x 120	120
2 x E3MCBC7B	95	50	95	50	–	–
2 x E3MCBC10A	150 or 2 x 70	95	150 or 2 x 70	95	150 or 2 x 70	95
2 x E3MCBC10B	150 or 2 x 70	95	150 or 2 x 70	95	150 or 2 x 70	95
2 x E3MCBC10C	120	70	150 or 2 x 70	95	150 or 2 x 70	95
2 x E3MCBC10D	150	95	2 x 95	95	2 x 120	120
2 x E3MCBC10E	150	95	2 x 95	95	2 x 120	120
3 x E3MCBC7A	70	35	70	35	–	–
3 x E3MCBC7B	95	50	95	50	95	50
3 x E3MCBC10A	95	50	120	70	150	95
3 x E3MCBC10B	95	50	120	70	150	95
3 x E3MCBC10C	95	50	95	50	150	95
3 x E3MCBC10D	150	95	150	95	150	95
3 x E3MCBC10E	150	95	150	95	150	95

Easy UPS 3L 500-600 kVA UPS

Commercial reference	500 kVA		600 kVA	
	DC (±, N) (mm ²)	DC PE (mm ²)	DC (±, N) (mm ²)	DC PE (mm ²)
2 x E3MCBC10D	2 x 120	120	–	–
2 x E3MCBC10E	2 x 120	120	–	–
3 x E3MCBC10D	2 x 120	120	2 x 120	120
3 x E3MCBC10E	2 x 120	120	2 x 120	120

Torque Specifications

Bolt size	Torque
M4	1.7 Nm (1.25 lb-ft / 15 lb-in)
M5	2.2 Nm (1.62 lb-ft / 19.5 lb-in)
M6	5 Nm (3.69 lb-ft / 44.3 lb-in)
M8	17.5 Nm (12.91 lb-ft / 154.9 lb-in)
M10	30 Nm (22 lb-ft / 194.7 lb-in)

Classic Battery Cabinet Weights and Dimensions

Commercial reference	Weight kg (lbs)	Height mm (in)	Width mm (in)	Depth mm (in)
E3MCBC7A	736	1900	710	845
E3MCBC7B	909	1900	710	845
E3MCBC10A	1097	1900	1010	845
E3MCBC10B	1277	1900	1010	845
E3MCBC10C	1404	1900	1010	845
E3MCBC10D	1100	1900	1010	845
	1082	1900	1010	845
E3MCBC10E	1280	1900	1010	845
	1262	1900	1010	845

NOTE: E3MCBC10D and E3MCBC10E consist of two cabinets.

Classic Battery Cabinet Shipping Weights and Dimensions

Commercial reference	Weight kg (lbs)	Height mm (in)	Width mm (in)	Depth mm (in)
E3MCBC7A	756	1980	815	970
E3MCBC7B	929	1980	815	970
E3MCBC10A	1117	1980	1130	970
E3MCBC10B	1297	1980	1130	970
E3MCBC10C	1424	1980	1130	970
E3MCBC10D	1120	1980	1130	970
	1102	1980	1130	970
E3MCBC10E	1300	1980	1130	970
	1282	1980	1130	970

NOTE: E3MCBC10D and E3MCBC10E consist of two cabinets.

Environment

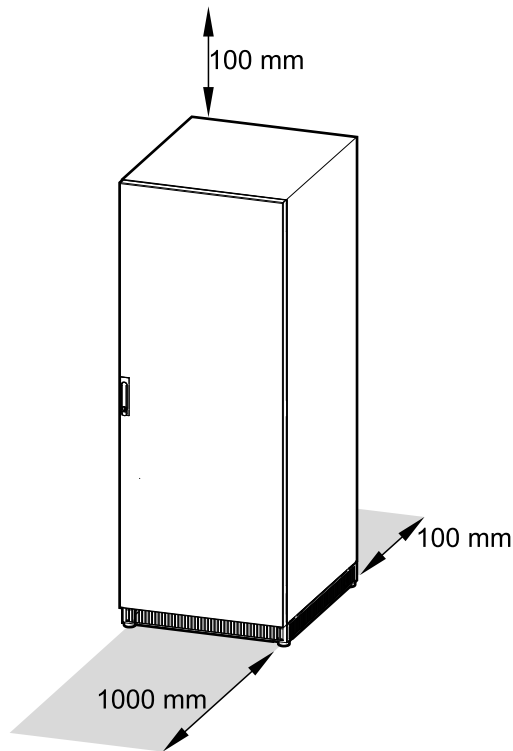
NOTE: The distance between the battery bank and the UPS must not exceed 200 m. Contact Schneider Electric for installations with a longer distance.

	Operating	Storage
Temperature	0 °C to 40 °C (32 °F to 104 °F)	-15 °C to 40 °C (5 °F to 104 °F)

Clearance

NOTE: Clearance dimensions are published for airflow and service access only. Consult with the local safety codes and standards for additional requirements in your local area.

NOTE: The room should be ventilated to prevent the concentration of the dihydrogen generated by the battery cabinet. Recommended minimum airflow: 2.41 m³/h.



Installation Procedure

NOTE: Up to two classic battery cabinets can be connected to the Easy UPS 3M. Up to three classic battery cabinets can be connected to the Easy UPS 3L.

1. Unpack the Cabinet, page 20.
2. Connect the signal cables:
 - Connect the Signal Cables to an Easy UPS 3M, page 22, or
 - Connect the Signal Cables to an Easy UPS 3L, page 25.
3. Connect the Power Cables, page 29.

Receiving

External Inspection

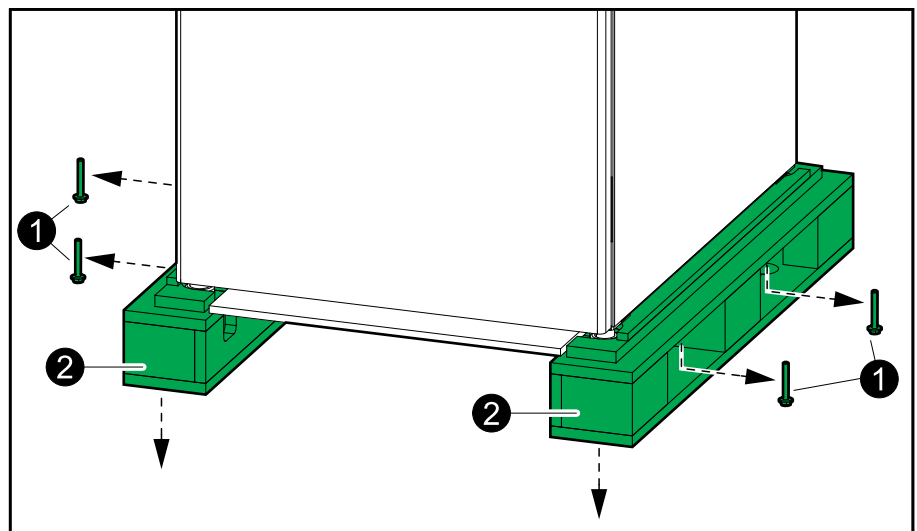
When the shipment arrives, inspect the shipping material for any signs of damage or mishandling. Check tilt and impact indicators. Do not attempt to install the system if a damage is apparent. If any damage is noted, contact Schneider Electric and file a damage claim with the shipping agency within 24 hours.

Compare the components of the shipment with the bill of lading. Report any missing items to the carrier and to Schneider Electric immediately.

Verify that labelled units match the order confirmation.

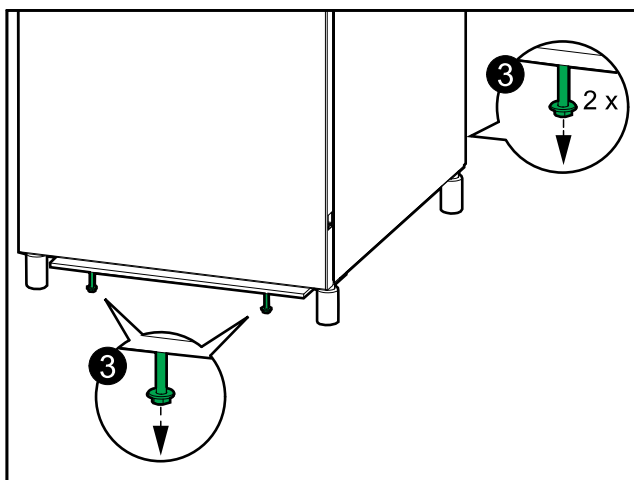
Unpack the Cabinet

1. Remove the indicated bolts.
2. Lift up the cabinet with a forklift and remove the pallet parts.

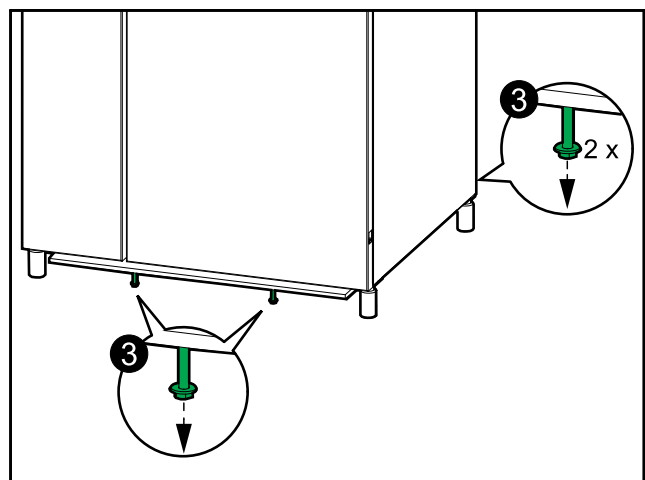


3. Lower the cabinet to the floor and remove the indicated bolts.

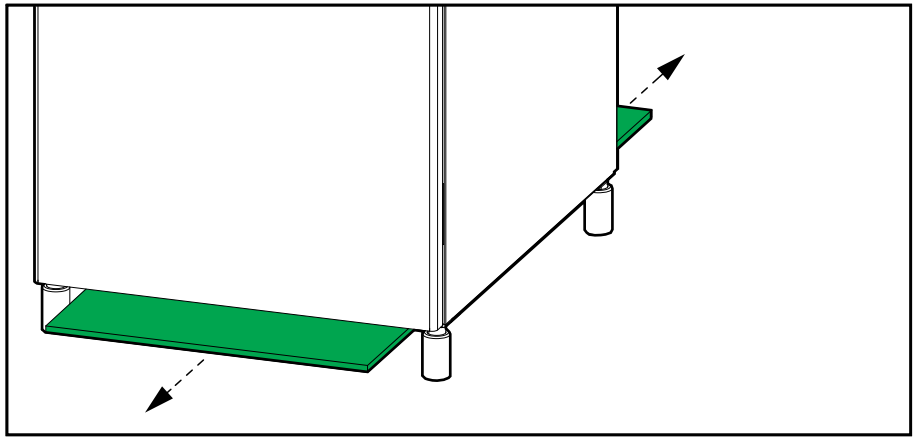
700 mm Wide Classic Battery Cabinet



1000 mm Wide Classic Battery Cabinet



4. Remove the wooden plates.



Optional Cable Kits for Line-Up Solutions

Two cable kits are available:

- E3MOPT003: Cable kit that includes power cables and signal cables for installation of one classic battery cabinet adjacent to the 60–100 kVA UPS. This cable kit is for the 700 mm wide Easy UPS 3M Classic Battery Cabinet.
- E3MOPT004: Cable kit that includes power cables and signal cables for installation of one classic battery cabinet adjacent to the 60–100 kVA UPS. This cable kit is for the 1000 mm wide Easy UPS 3M Classic Battery Cabinet.

Connect the Signal Cables to an Easy UPS 3M

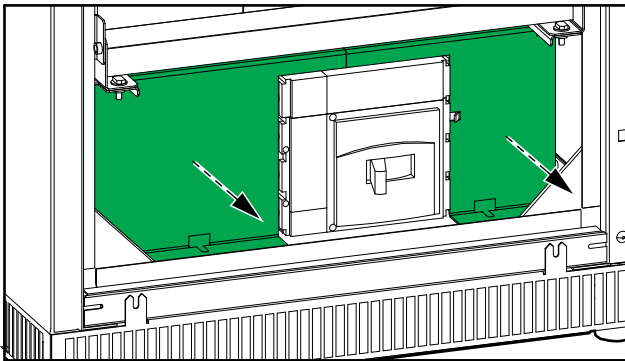
NOTE: Route the signal cables separately from the power cables to ensure sufficient isolation.

NOTE: Use double isolated signal cables. The signal cables must have a minimum rating of 600 V.

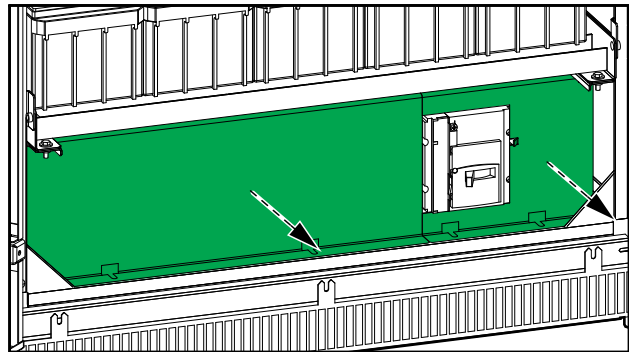
NOTE: The length of the battery temperature signal cable is 5m.

1. Open the front door of the classic battery cabinet(s).
2. Lockout/Tagout the battery breaker.
3. Remove the left and right breaker protection plates.

700 mm Wide Classic Battery Cabinet



1000 mm Wide Classic Battery Cabinet



4. Install the temperature sensor provided with the UPS in the top of the classic battery cabinet.

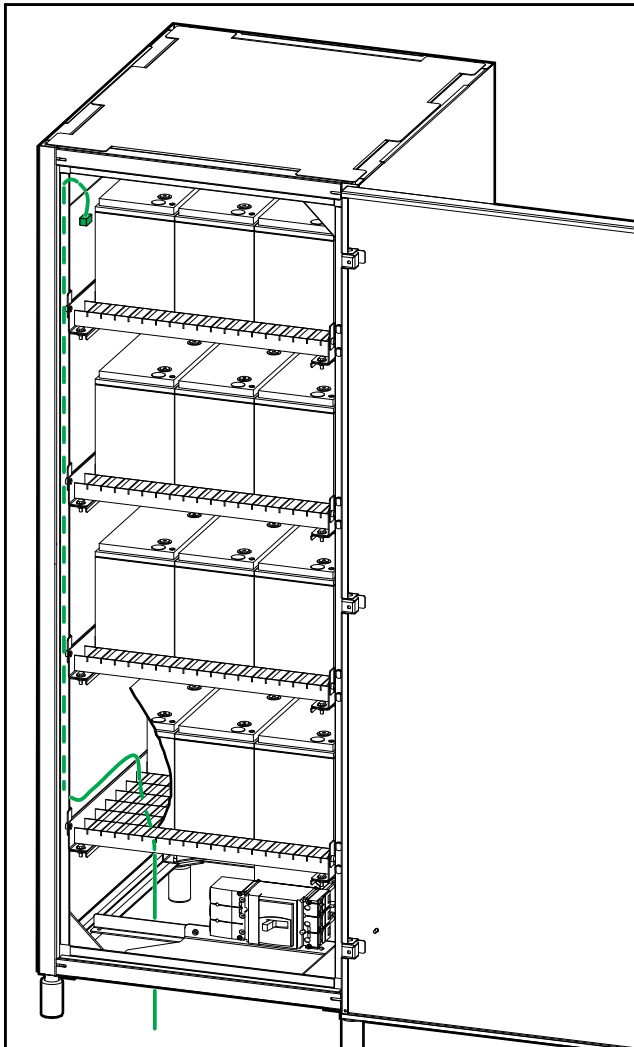
⚠ WARNING

HAZARD OF FIRE

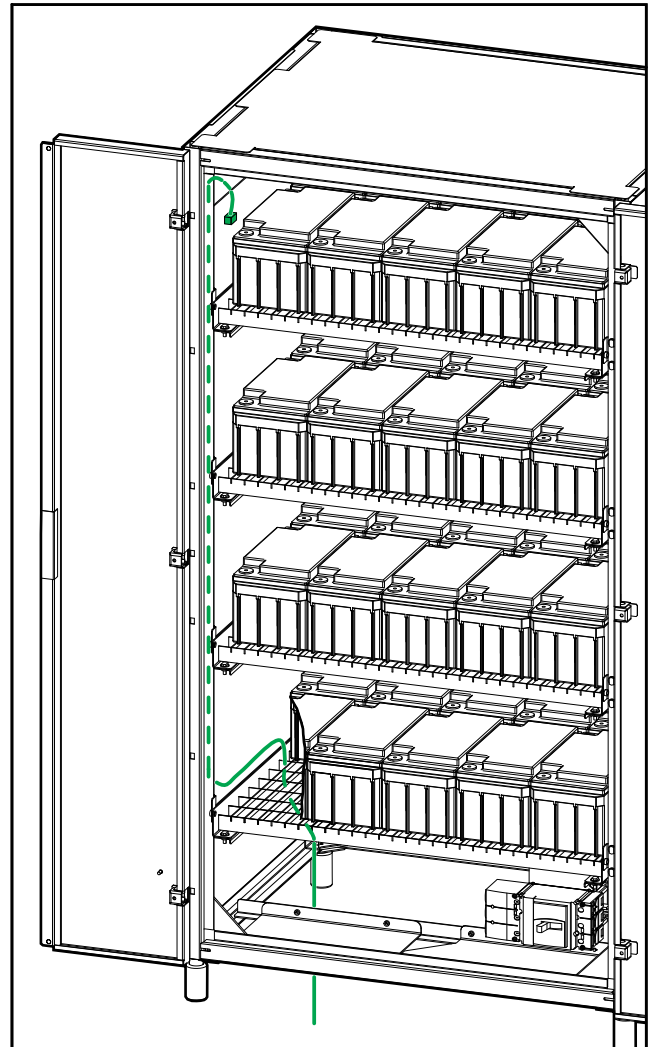
Position the temperature sensor as described to ensure correct temperature measurements.

Failure to follow these instructions can result in death, serious injury, or equipment damage.

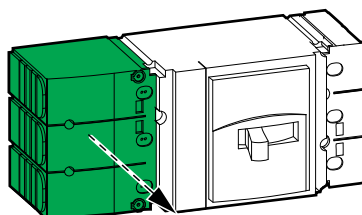
700 mm Wide Classic Battery Cabinet



1000 mm Wide Classic Battery Cabinet

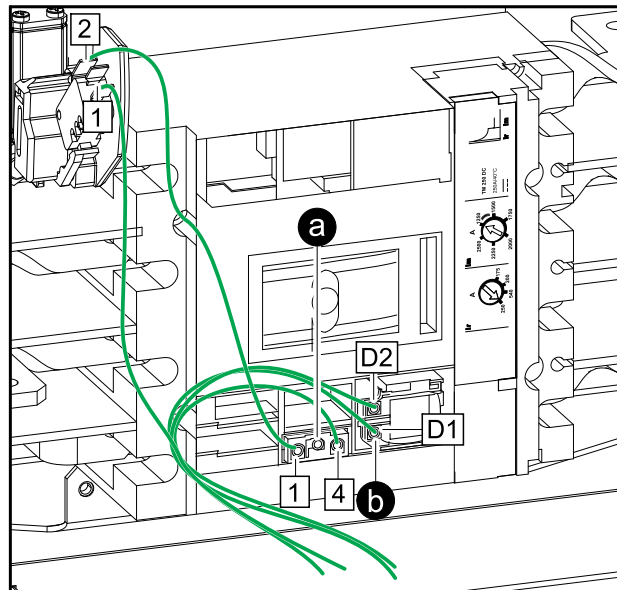
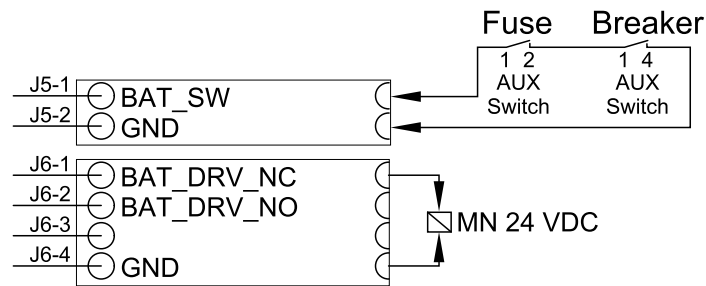


5. Route the battery temperature cable through the bottom of the classic battery cabinet to the UPS dry contact terminals BAT_T-1 and BAT_T-2.
6. Remove the terminal cover from the left side of the battery breaker.



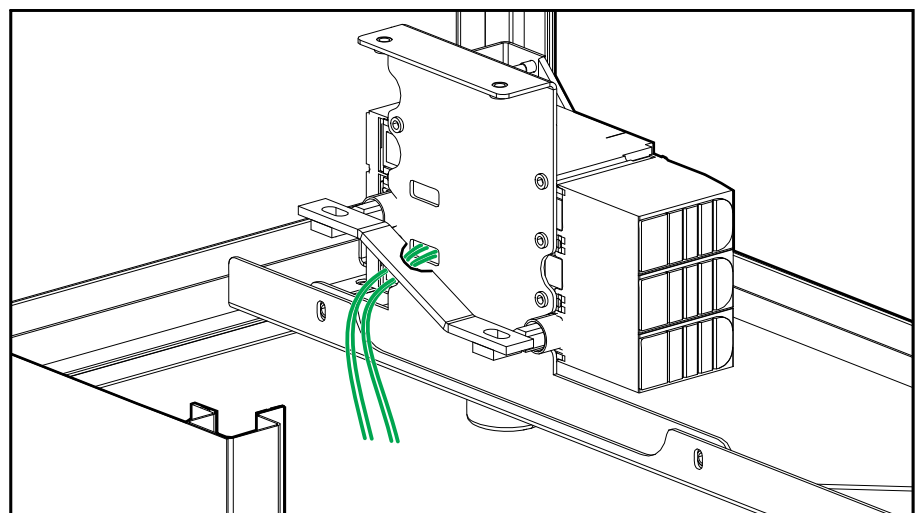
- Remove the cover from the battery breaker and connect the signal cables to the breaker.

NOTE: AUX switch signal cables and fuse cables are SELV and must be double isolated from the DC cables.



- Route the signal cables from behind the battery breaker and out through the bottom of the classic battery cabinet and connect the signal cables:

Rear View of the Battery Breaker



- Connect the AUX switch signal cables from the classic battery cabinet to J5-1 and J5-2 in the UPS.
 - Connect the undervoltage trip coil signal cables from the battery breaker to J6-1 and J6-4 in the UPS.
 - Fasten the signal cables with cable ties (provided) to the cable relief.
- Reinstall the breaker cover on the battery breaker.

Connect the Signal Cables to an Easy UPS 3L

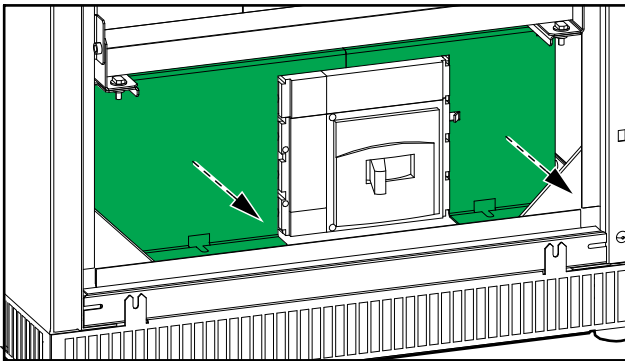
NOTE: Route the signal cables separately from the power cables to ensure sufficient isolation.

NOTE: Use double isolated signal cables. The signal cables must have a minimum rating of 600 V.

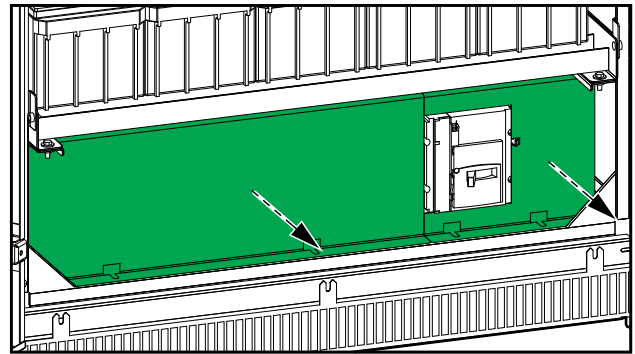
NOTE: The length of the battery temperature signal cable is 5m.

1. Open the front door of the classic battery cabinet(s).
2. Lockout/Tagout the battery breaker.
3. Remove the left and right breaker protection plates.

700 mm Wide Classic Battery Cabinet



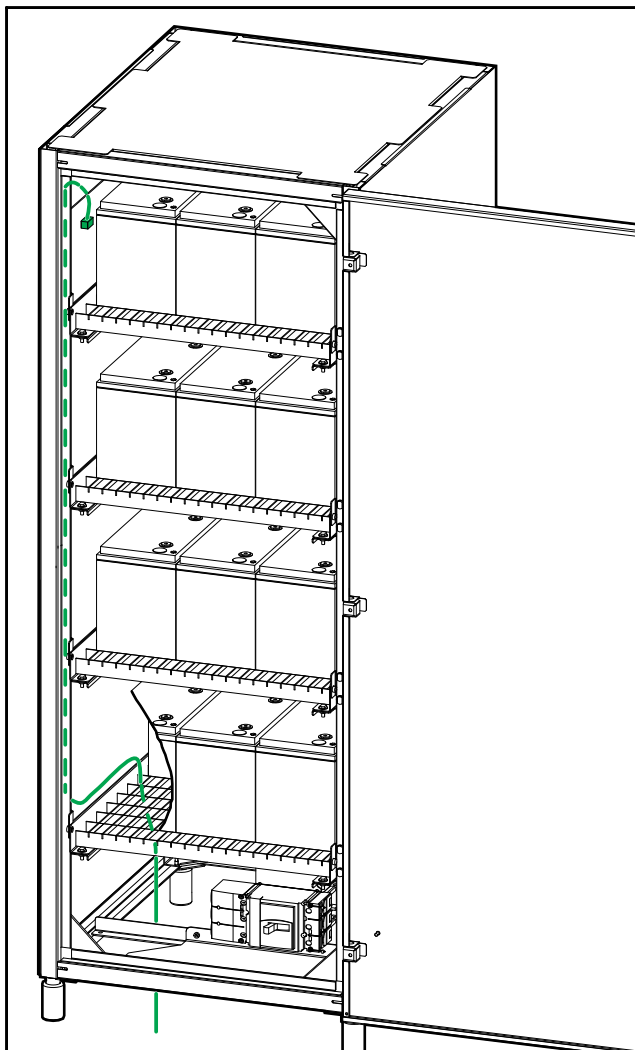
1000 mm Wide Classic Battery Cabinet



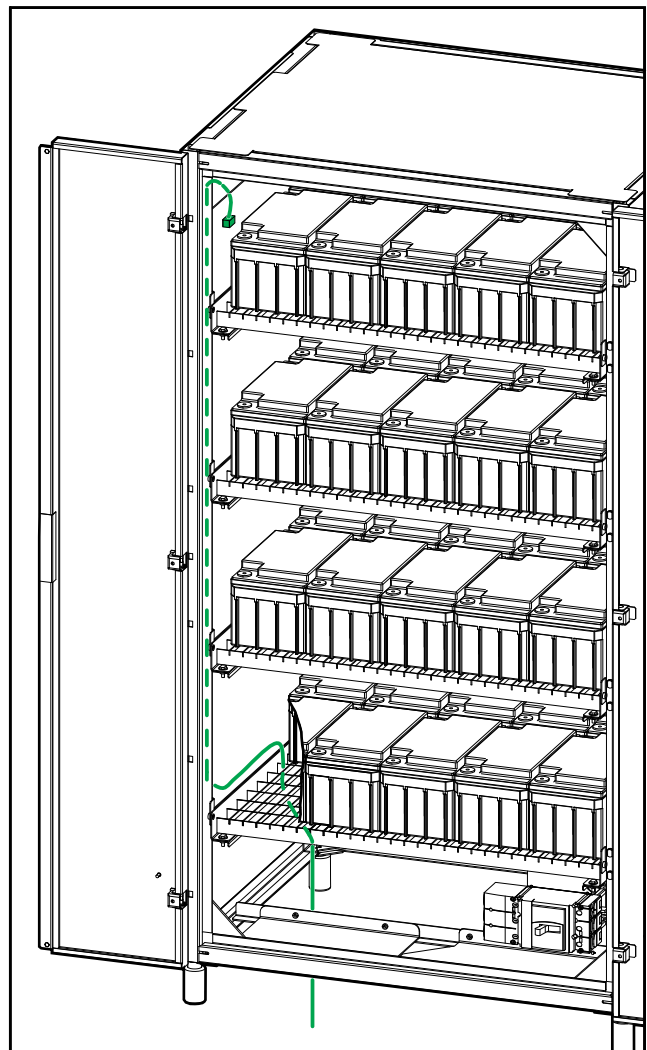
4. Install the temperature sensor provided with the UPS in the top of the classic battery cabinet.

<h2>▲ WARNING</h2>
<p>HAZARD OF FIRE</p> <p>Position the temperature sensor as described to ensure correct temperature measurements.</p> <p>Failure to follow these instructions can result in death, serious injury, or equipment damage.</p>

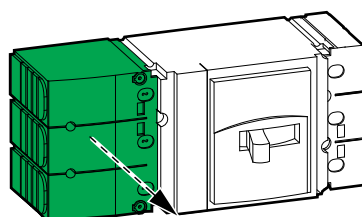
700 mm Wide Classic Battery Cabinet



1000 mm Wide Classic Battery Cabinet

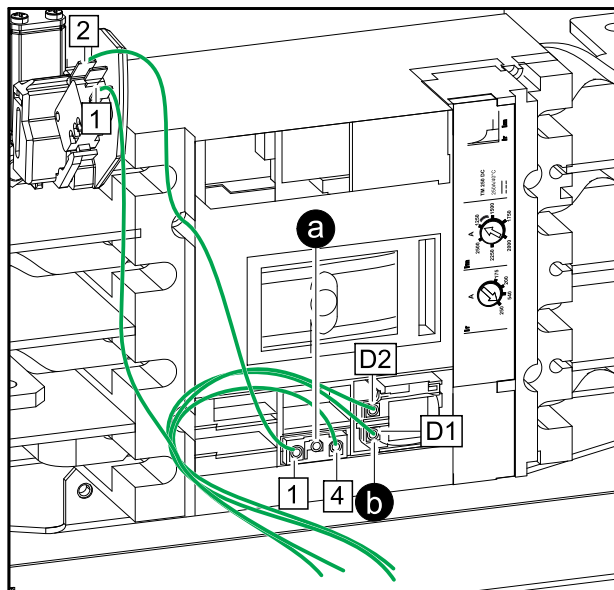
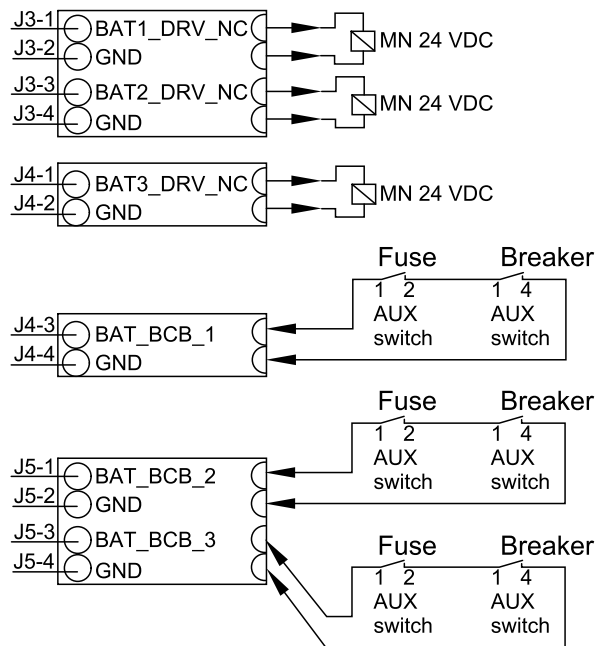


5. Route the battery temperature cable through the bottom of the classic battery cabinet to the UPS dry contact terminal J12 (NTC).
6. Remove the terminal cover from the left side of the battery breaker.



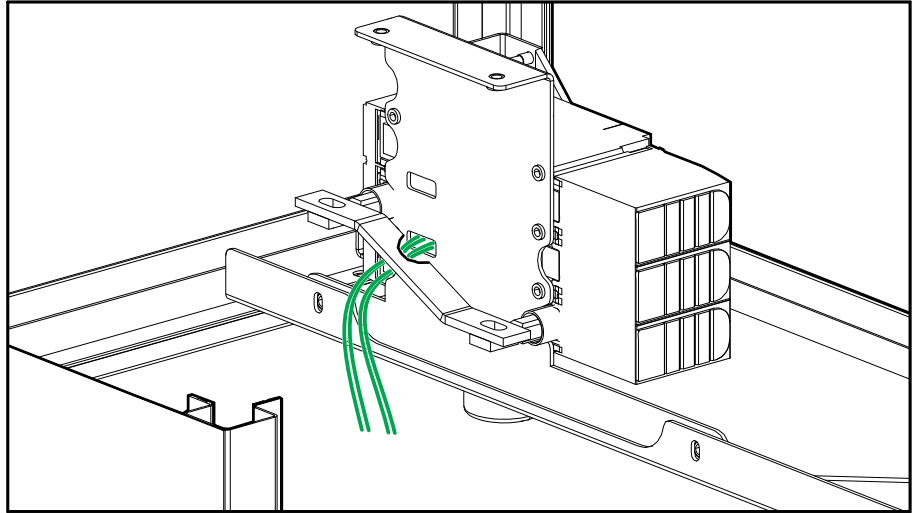
- Remove the cover from the battery breaker and connect the signal cables to the breaker.

NOTE: AUX switch signal cables and fuse cables are SELV and must be double isolated from the DC cables.



8. Route the signal cables from behind the battery breaker and out through the bottom of the classic battery cabinet and connect the signal cables:

Rear View of the Battery Breaker



- a. Connect the AUX switch signal cables from the battery breakers and fuses to J4-3/J4-4, J5-1/J5-2, J5-3/J5-4 in the UPS.
 - b. Connect the undervoltage trip coil signal cables from the battery breakers to J3-1/J3-2, J3-3/J3-4, J4-1/J4-2 in the UPS.
 - c. Fasten the signal cables with cable ties (provided) to the cable relief.
9. Reinstall the breaker cover on the battery breaker.

Connect the Power Cables

⚠️⚠️ DANGER

HAZARD OF ELECTRIC SHOCK, EXPLOSION, OR ARC FLASH

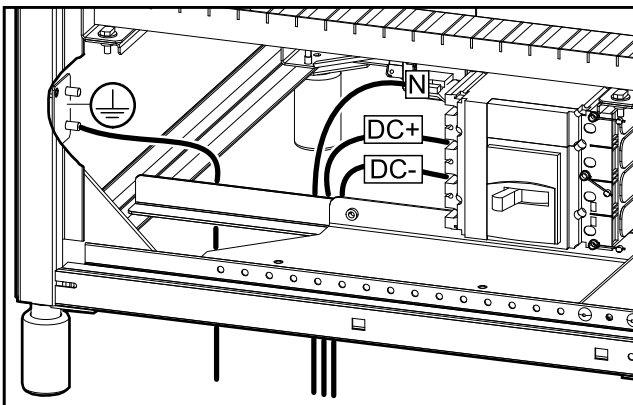
Perform a total power off of the UPS before connecting the battery cables to the classic battery cabinet(s).

Failure to follow these instructions will result in death or serious injury.

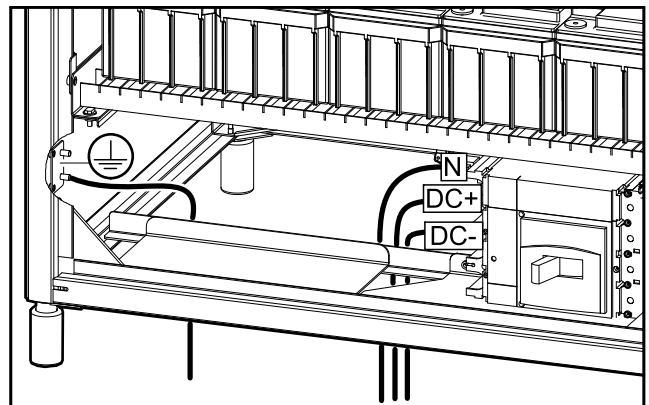
NOTE: An E3MCBC10D or E3MCBC10E battery solution consists of two battery cabinets: one cabinet with a battery breaker and batteries and one cabinet with only batteries.

1. Lockout/Tagout the battery breaker.
2. Route the PE cable through the bottom of the classic battery cabinet and connect the PE cable.

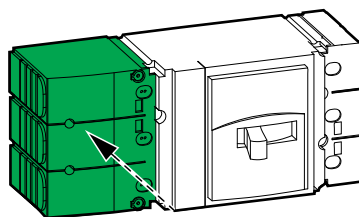
700 mm Wide Classic Battery Cabinet



1000 mm Wide Classic Battery Cabinet



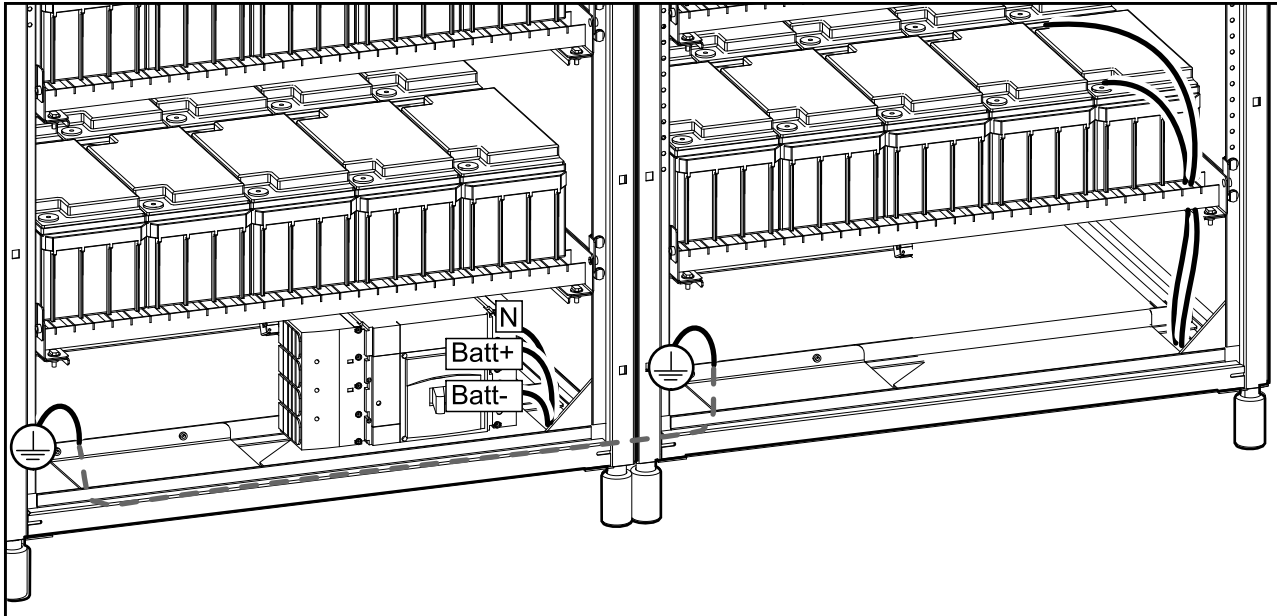
3. Route the DC cables from the UPS through the bottom of the classic battery cabinet and connect the battery cables (N, DC+, DC-). Use lock washers (not provided) when connecting the DC cables.
4. Reinstall the terminal cover on the left side of the battery breaker and remove the terminal cover from the right side of the battery breaker.



5. For E3MCBC10D or E3MCBC10E classic battery solution:

- a. Connect the PE cable between the two classic battery cabinets.
- b. Connect the battery cables (N, Batt+, Batt-) from the batteries in the second classic battery cabinet to the right side of the battery breaker in the first classic battery cabinet.

E3MCBC10D or E3MCBC10E Classic Battery Solution



6. Interconnect the batteries on each shelf in the classic battery cabinet(s) and connect to the right side of the battery breaker. Refer to the connection diagram on the inside of the front door.

⚡ ⚠ DANGER

HAZARD OF ELECTRIC SHOCK, EXPLOSION, OR ARC FLASH

Batteries can present a risk of electric shock and high short-circuit current. The following precautions must be observed when working on batteries

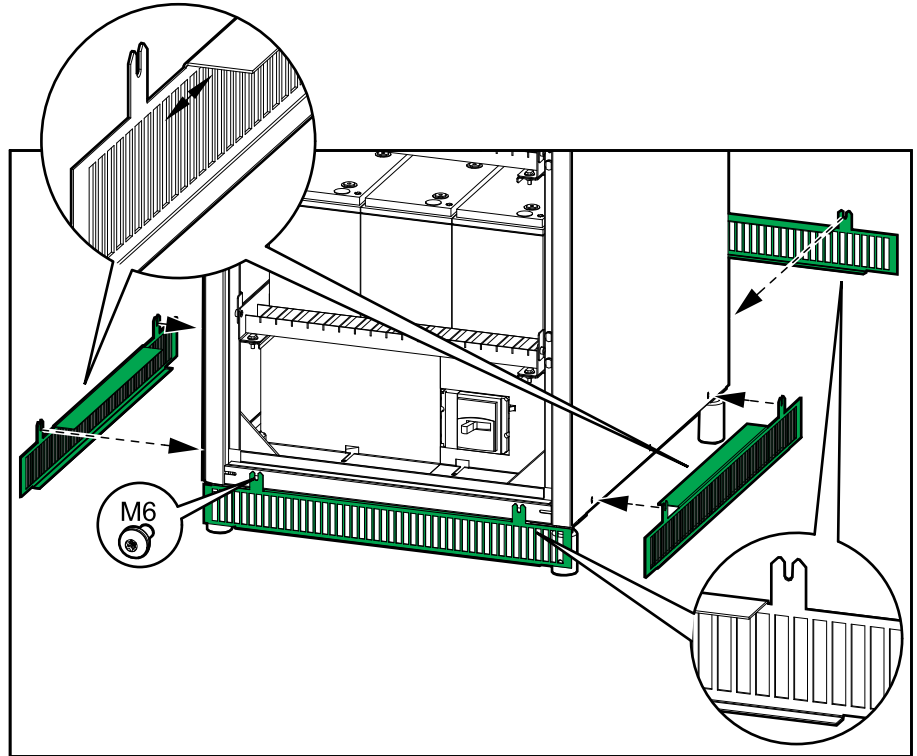
- Remove watches, rings, or other metal objects.
- Use tools with insulated handles.
- Wear protective glasses, gloves and boots.
- Do not lay tools or metal parts on top of batteries.
- Disconnect the charging source prior to connecting or disconnecting battery terminals.
- Determine if the battery is inadvertently grounded. If inadvertently grounded, remove source from ground. Contact with any part of a grounded battery can result in electric shock. The likelihood of such shock can be reduced if such grounds are removed during installation and maintenance (applicable to equipment and remote battery supplies not having a grounded supply circuit).

Failure to follow these instructions will result in death or serious injury.

7. Close the front door of the classic battery cabinet(s).

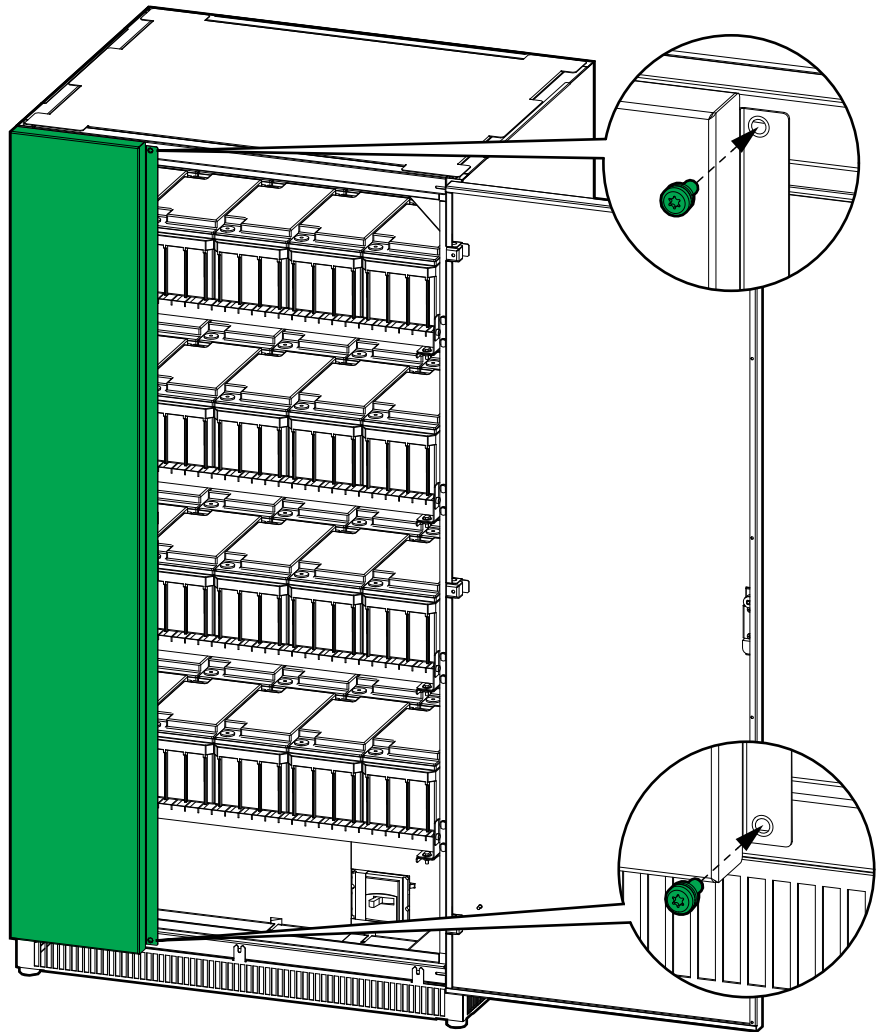
Final Installation

1. Install the provided kick plates on the front, rear, and sides of the classic battery cabinet.



2. Close the door(s). On the 1000 mm wide classic battery cabinet, install two screws to close the left door.

1000 mm Wide Classic Battery Cabinet



Schneider Electric
35 rue Joseph Monier
92500 Rueil Malmaison
France

+ 33 (0) 1 41 29 70 00



As standards, specifications, and design change from time to time,
please ask for confirmation of the information given in this publication.

© 2019 – 2020 Schneider Electric. All rights reserved.

990-91274C-001