

Wireless Stereo Headset
Casque stéréo sans fil

Reference Guide US
Manuel de référence FR
Guía de referencia ES

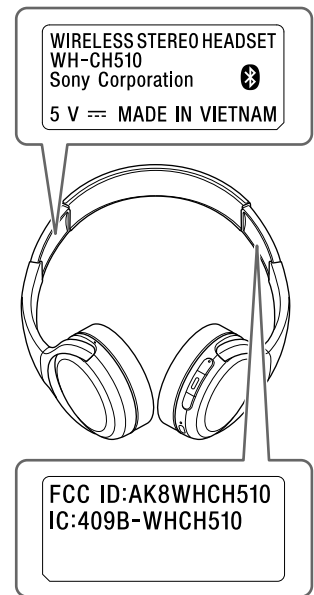
http://rd1.sony.net/help/mdr/whch510/h_zz/



©2019 Sony Corporation
Printed in Vietnam
Imprimé en Vietnam
https://www.sony.net/



WH-CH510



English
Wireless Stereo Headset

Do not install the appliance in a confined space, such as a bookcase or built-in cabinet.

Do not expose the batteries (battery pack or batteries installed) to excessive heat such as sunshine, fire or the like for a long time.

Do not subject the batteries to extreme low temperature conditions that may result in overheating and thermal runaway.

Do not dismantle, open or shred secondary cells or batteries.

Do not expose cells or batteries to heat or fire. Avoid storage in direct sunlight.

In the event of a cell leaking, do not allow the liquid to come in contact with the skin or eyes. If contact has been made, wash the affected area with copious amounts of water and seek medical advice.

Secondary cells and batteries need to be charged before use. Always refer to the manufacturer's instructions or equipment manual for proper charging instructions.

After extended periods of storage, it may be necessary to charge and discharge the cells or batteries several times to obtain maximum performance.

Dispose of properly.

RECYCLING RECHARGEABLE BATTERIES

Rechargeable batteries are recyclable. You can help preserve our environment by returning your used rechargeable batteries to the collection and recycling location nearest you.

For more information regarding recycling of rechargeable batteries, visit http://www.sony.com/electronics/eco/environmental-management

Caution: Do not handle damaged or leaking rechargeable batteries.

This equipment complies with FCC/ISED radiation exposure limits set forth for an uncontrolled environment and meets the FCC radio frequency (RF) Exposure Guidelines and RSS-102 of the ISED radio frequency (RF) Exposure rules as this equipment has very low levels of RF energy.

FOR UNITED STATES CUSTOMERS. NOT APPLICABLE IN CANADA, INCLUDING IN THE PROVINCE OF QUEBEC.

POUR LES CONSOMMATEURS AUX ÉTATS-UNIS. NON APPLICABLE AU CANADA, Y COMPRIS LA PROVINCE DE QUÉBEC.

You are cautioned that any changes or modifications not expressly approved in this manual could void your authority to operate this equipment.

If you have any questions about this product: Visit: www.sony.com/support Contact: Sony Customer Information Service Center at 1-800-222-7669

Write: Sony Customer Information Service Center 12451 Gateway Blvd., Fort Myers, FL 33913 Supplier's Declaration of Conformity Trade Name : SONY Model : WH-CH510 Responsible Party : Sony Electronics Inc. Address : 16535 Via Esprillo, San Diego, CA 92127 U.S.A. Telephone Number : 858-942-2230

This device complies with Part 15 of the FCC Rules. Operation is subject to the following two conditions:

- (1) this device may not cause harmful interference, and
(2) this device must accept any interference received, including interference that may cause undesired operation.

NOTE:

This equipment has been tested and found to comply with the limits for a Class B digital device, pursuant to Part 15 of the FCC Rules. These limits are designed to provide reasonable protection against harmful interference in a residential installation.

However, there is no guarantee that interference will not occur in a particular installation. If this equipment does cause harmful interference to radio or television reception, which can be determined by turning the equipment off and on, the user is encouraged to try to correct the interference by one or more of the following measures: - Reorient or relocate the receiving antenna. - Increase the separation between the equipment and receiver. - Connect the equipment into an outlet on a circuit different from that to which the receiver is connected. - Consult the dealer or an experienced radio/TV technician for help.

This equipment must not be co-located or operated in conjunction with any other antenna or transmitter.

For the customer in Canada

This device contains licence-exempt transmitter(s)/receiver(s) that comply with Innovation, Science and Economic Development Canada's licence-exempt RSS(s). Operation is subject to the following two conditions:

- (1) This device may not cause interference; and
(2) This device must accept any interference, including interference that may cause undesired operation of the device.

High volume may affect your hearing.

Do not use the unit while walking, driving or cycling. Doing so may cause traffic accidents.

Do not use at a dangerous place unless the surrounding sound can be heard.

The unit is not waterproof. If water or foreign objects enter the unit, it may result in fire or electric shock. If water or a foreign object enters the unit, stop use immediately and consult your nearest Sony dealer. In particular, be careful in the following cases.

- When using the unit around a sink, etc. Be careful that the unit does not fall into a sink or container filled with water.
- When using the unit in the rain or snow, or in humid locations.
- When using the unit while you are sweaty. If you touch the unit with wet hands, or put the unit in the pocket of a damp article of clothing, the unit may get wet.

For details on the effect of contact to the human body from the mobile phone or other wireless devices connected to the unit, refer to the instruction manual of the wireless device.

Never insert the USB plug when the main unit or charging cable is wet. If the USB plug is inserted while the main unit or charging cable is wet, a short circuit may occur due to the liquid (tap water, seawater, soft drink, etc.) attached to the main unit or charging cable or due to foreign matter, and cause abnormal heat generation or malfunction.

Note on static electricity
Static electricity accumulated in the body may cause mild tingling in your ears. To reduce the effect, wear clothes made from natural materials, which suppress the generation of static electricity.

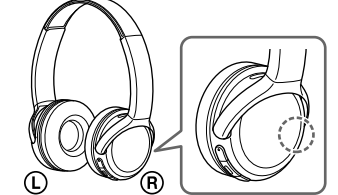
IMPORTANT: THE VOICE GUIDANCE FOR THIS UNIT IS ONLY AVAILABLE IN ENGLISH.

- The voice guidance can be heard from the unit when:
- When powering on: "Power on"
- When powering off: "Power off"
- When the remaining battery level is low and recharge is recommended: "Low battery, please recharge headset"
- When automatically turning off due to low battery: "Please recharge headset. Power off"
- When checking the remaining battery level: "Battery fully charged" / "Battery about 70 %" / "Battery about 50 %"
- When entering pairing mode: "Bluetooth pairing"
- When establishing a Bluetooth connection: "Bluetooth connected"
- When disconnecting a Bluetooth connection: "Bluetooth disconnected"

Precautions

On BLUETOOTH® communications

- Bluetooth wireless technology operates within a range of about 10 m (30 feet). The maximum communication distance may vary depending on the presence of obstacles (people, metal objects, walls, etc.) or the electromagnetic environment.
- Bluetooth communications may not be possible, or noise or audio dropout may occur under the following conditions:
- When there is a person between the unit and the Bluetooth device. This situation may be improved by positioning the Bluetooth device so that it faces the antenna of the unit.
- When there is an obstacle, such as a metal object or a wall, between the unit and the Bluetooth device.
- When a Wi-Fi device or microwave oven is in use, or microwaves are emitted near the unit. Compared to use indoors, use outdoors is subjected little to signal reflection from walls, floors, and ceilings, which results in audio dropout occurring more frequently than use indoors.
- The antenna is built into the unit as indicated by the dotted line in the illustration below. The sensitivity of the Bluetooth communications can be improved by removing any obstacles between the connected Bluetooth device and the antenna of this unit.



Bluetooth and Wi-Fi (IEEE802.11b/g/n) devices use the same frequency (2.4 GHz). When using the unit near a Wi-Fi device, electromagnetic interference may occur, resulting in noise, audio dropout, or the inability to connect. If this happens, try performing the following remedies:

- Establish a connection between the unit and the Bluetooth device when they are at least 10 m (30 feet) away from the Wi-Fi device.
- Turn off the Wi-Fi device when using the unit within 10 m (30 feet) of the Wi-Fi device.
- Position the unit and the Bluetooth device as near as possible to each other.
- Microwaves emitting from a Bluetooth device may affect the operation of electronic medical devices. Turn off this unit and other Bluetooth devices in the following locations, as it may cause an accident:
- in hospitals, near priority seating in trains, locations where inflammable gas is present, near automatic doors, or near fire alarms.

The audio playback on this unit may be delayed from that on the transmitting device, due to the characteristics of Bluetooth wireless technology. As a result, the sound may not be in sync with the image when viewing movies or playing games.

This product emits radio waves when used in wireless mode. When used in wireless mode on an airplane, follow flight crew directions regarding permissible use of products in wireless mode.

The unit supports security functions that comply with the Bluetooth standard as a means of ensuring security during communication using Bluetooth wireless technology. However, depending on the configured settings and other factors, this security may not be sufficient. Be careful when communicating using Bluetooth wireless technology.

Sony shall assume no responsibility for any damages or loss resulting from information leaks that occur when using Bluetooth communications.

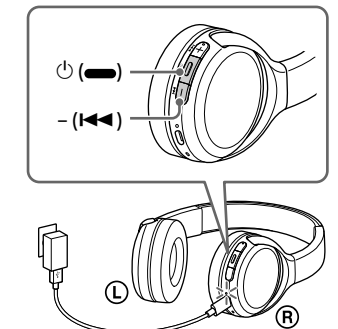
- Connection with all Bluetooth devices cannot be guaranteed.
- Bluetooth devices connected with the unit must comply with the Bluetooth standard prescribed by Bluetooth SIG, Inc., and must be certified as compliant.
- Even when a connected device complies with the Bluetooth standard, there may be cases where the characteristics or specifications of the Bluetooth device make it unable to connect, or result in different control methods, display, or operation.
- When using the unit to perform hands-free talking on the phone, noise may occur depending on the connected device or the communication environment.
- Depending on the device to be connected, it may require some time to start communications.

- If sound skips frequently during playback
The situation may be improved by changing the wireless playback quality settings or fixing the wireless playback mode to SBC on the transmitting device. For details, refer to the operating instructions supplied with the transmitting device.
- When listening to music from a smartphone, the situation may be improved by closing unnecessary apps or restarting the smartphone.

- On the use of calling apps for smartphones and computers
This unit supports normal incoming calls only. Calling apps for smartphones and computers are not supported.

- On charging the unit
This unit can be charged using USB only. A computer with a USB port or a USB AC adaptor is required for charging.
- Be sure to use the supplied USB Type-C cable.
- When charging, the unit cannot be turned on and the Bluetooth function cannot be used.
- If the unit is not used for a long time, the rechargeable battery may become depleted quickly. The battery will be able to hold a proper charge after it is discharged and recharged several times. When storing the unit for a long time, charge the battery once every six months to prevent over-discharge.
- If the rechargeable battery becomes depleted extremely quickly, it should be replaced with a new one. Please contact your nearest Sony dealer for a battery replacement.

- If the unit does not operate properly
Follow the procedure below to reset the unit. Press the L and - buttons simultaneously while the unit is charging. The unit is reset. When the unit is reset, the pairing information in the unit is not deleted.



- If the problem persists even after the unit is reset, perform the procedure below to initialize the unit. Disconnect the USB Type-C cable and turn off the unit. Press and hold the L and - buttons simultaneously for at least 7 seconds. The indicator (blue) flashes 4 times, the unit is initialized, and the unit is reset to the factory settings. When the unit is initialized, all pairing information is deleted.
- After the unit is initialized, it may not connect to your iPhone or computer. If this happens, delete the pairing information of the unit from the iPhone or computer, and then pair them again.

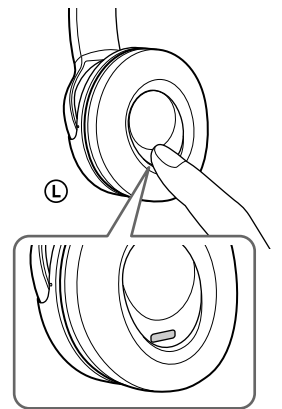
Notes on wearing the unit
Because the headphones achieve a tight seal over the ears, forcibly pressing them against your ears or quickly pulling them off can result in eardrum damage. Pressing the headphones against your ears may cause the speaker diaphragm to produce a click sound. This is not a malfunction.

- Other notes
- Do not subject the unit to excessive shock.
- The Bluetooth function may not work with a mobile phone, depending on the signal conditions and the surrounding environment.
- Do not apply weight or pressure to the unit for long periods, including when it is stored, as it may cause deformation.
- If you experience discomfort while using the unit, stop using it immediately.
- The earpads may be damaged or deteriorate with long-term use and storage.

- Cleaning the unit
When the outside of the unit is dirty, clean it by wiping with a soft dry cloth. If the unit is particularly dirty, soak a cloth in a dilute solution of neutral detergent, and wring it well before wiping. Do not use solvents such as thinner, benzene, or alcohol, as they may damage the surface.
- If you have any questions or problems concerning this unit that are not covered in this manual, please consult your nearest Sony dealer.

Replacement parts: earpads
Please consult your nearest authorized Sony retailer or www.sony.com for information about replacement parts.

Location of the serial number label



Specifications

Headset

Power source: DC 3.7 V: Built-in lithium-ion rechargeable battery DC 5 V: When charging using USB

Operating temperature: 0 °C to 40 °C (32 °F to 104 °F)
Rated power consumption: 0.7 W

Usage hours: When connecting via the Bluetooth device Music playback time: Max. 35 hours Communication time: Max. 30 hours Standby time: Max. 200 hours Note: Usage hours may be shorter depending on the Codec and the conditions of use.

Charging time: Approx. 4.5 hours (About 90 minutes of music playback is possible after 10 minutes charging.) Note: Charging and usage hours may be different depending on the conditions of use.

Charging temperature: 5 °C to 35 °C (41 °F to 95 °F)

Mass: Approx. 132 g (4.66 oz)

Included items: Wireless Stereo Headset (1) USB Type-C™ cable (USB-A to USB-C™) (approx. 20 cm (7.88 in.)) (1)

Communication specification

Communication system: Bluetooth Specification version 5.0

Output: Bluetooth Specification Power Class 2

Maximum communication range: Line of sight approx. 10 m (30 ft)¹⁾

Frequency band: 2.4 GHz band (2.4000 GHz - 2.4835 GHz)

Compatible Bluetooth profiles²⁾: A2DP / AVRCP / HFP / HSP

Supported Codec³⁾: SBC / AAC

Transmission range (A2DP): 20 Hz - 20,000 Hz (Sampling frequency 44.1 kHz)

¹⁾ The actual range will vary depending on such as obstacles between devices, magnetic fields around a microwave oven, static electricity, reception sensitivity, antenna's performance, operating system, software application, etc.

²⁾ Bluetooth standard profiles indicate the purpose of Bluetooth communications between devices.

³⁾ Codec: Audio signal compression and conversion format

Design and specifications are subject to change without notice.

System requirements for battery charge using USB

USB AC adaptor
A commercially available USB AC adaptor capable of supplying an output current of 0.5 A (500 mA) or more

Trademarks

- iPhone and iPod touch are trademarks of Apple Inc., registered in the U.S. and other countries.
- Android is a trademark of Google LLC.
- The Bluetooth® word mark and logos are registered trademarks owned by the Bluetooth SIG, Inc. and any use of such marks by Sony Corporation is under license.
- USB Type-C™ and USB-C™ are trademarks of USB Implementers Forum.
- Other trademarks and trade names are those of their respective owners.

Notes on the License

This product contains software that Sony uses under a licensing agreement with the owner of its copyright. We are obligated to announce the contents of the agreement to customers under requirement by the owner of copyright for the software. Please access the following URL and read the contents of the license. http://rd1.sony.net/help/mdr/sl/19/



Français
Casque stéréo sans fil

Ne pas installer l'appareil dans un espace clos, tel qu'une bibliothèque ou une armoire encastrée.

Ne pas exposer les piles (bloc-pile ou batteries installées) à une chaleur excessive comme celle produite par les rayons du soleil, les flammes, etc. pendant une période prolongée.

Ne pas soumettre les batteries à des conditions de température basse extrême qui pourraient entraîner une surchauffe et un emballement thermique.

Ne pas démonter, ouvrir ou déhâcher les piles ou batteries secondaires. Ne pas exposer les piles ou batteries à la chaleur ou au feu. Éviter tout rangement à la lumière directe du soleil.

En cas de fuite d'une pile, ne pas laisser le liquide entrer en contact avec la peau ou les yeux. En cas de contact, laver la zone concernée avec de grandes quantités d'eau et consulter un médecin.

Les piles et batteries secondaires doivent être chargées avant toute utilisation. Toujours se reporter aux instructions du fabricant ou au manuel de l'équipement pour prendre connaissance des instructions de chargement adéquates.

Après de longues périodes de rangement, il peut être nécessaire de charger et décharger les piles ou batteries à plusieurs reprises pour obtenir une performance optimale. Mettre au rebut de manière appropriée.

RECYCLAGE DES ACCUMULATEURS RECHARGEABLES

Les accumulateurs rechargeables sont recyclables. Vous pouvez contribuer à préserver l'environnement en rapportant les piles usées dans un point de collection et recyclage le plus proche.

Pour plus d'informations sur le recyclage des accumulateurs, visitez http://www.sony.com/electronics/eco/environmental-management

Attention: Ne pas utiliser des accumulateurs rechargeables qui sont endommagés ou qui fuient.

Cet équipement est conforme aux limites d'exposition aux rayonnements énoncées pour un environnement non contrôlé et respecte les règles les radioélectriques (RF) de la FCC lignes directrices d'exposition et d'exposition aux fréquences radioélectriques (RF) CNR-102 de l'ISDE puisque cet appareil a une niveau très bas d'énergie RF.

Pour la clientèle au Canada

L'émetteur/récepteur exempt de licence contenu dans le présent appareil est conforme aux CNR d'Innovation, Sciences et Développement économique Canada applicables aux deux conditions suivantes: 1) l'appareil ne doit pas produire de brouillage; 2) l'utilisateur de l'appareil doit accepter tout brouillage radioélectrique subi, même si le brouillage est susceptible d'en compromettre le fonctionnement

Un volume élevé peut affecter votre ouïe.

N'utilisez pas l'appareil pendant que vous marchez, conduisez ou faites du vélo. Vous risqueriez de provoquer des accidents de la circulation.

Ne l'utilisez pas à un endroit dangereux, à moins que vous puissiez entendre les sons environnants.

L'appareil n'est pas résistant à l'eau. Si de l'eau ou des corps étrangers pénétrèrent dans l'appareil, cela peut entraîner un incendie ou un choc électrique. Si de l'eau ou un corps étranger pénètre dans l'appareil, cessez immédiatement de l'utiliser et consultez votre détaillant Sony le plus proche. N'oubliez pas de suivre, notamment, les précautions ci-dessous.

- Utilisation près d'un évier, etc. Veillez à ce que l'appareil ne tombe pas dans un évier ou un récipient rempli d'eau.
- Utilisation sous la pluie ou la neige ou dans des endroits humides
- Utilisation pendant que vous transpirez Si vous touchez l'appareil avec les mains mouillées ou le mettez dans la poche d'un vêtement humide, l'appareil peut devenir mouillé.

Pour plus de renseignements sur l'effet de contact sur le corps humain que peut avoir un téléphone mobile ou autre périphérique sans fil connecté à l'appareil, consultez le manuel d'instructions du périphérique sans fil.

N'insérez jamais la fiche USB lorsque l'appareil principal ou le câble de chargement est mouillé. Si la fiche USB est insérée pendant que l'appareil principal ou le câble de chargement est mouillé, un court-circuit pourrait être causé par le liquide (eau du robinet, eau de mer, boisson gazeuse, etc.) présent sur l'appareil principal ou le câble de chargement ou par un corps étranger, entraînant un dégagement de chaleur anormal ou un problème de fonctionnement.

Remarque sur l'électricité statique
L'électricité statique accumulée dans votre corps peut causer une légère sensation de picotement dans vos oreilles. Pour réduire l'effet, portez des vêtements fabriqués à partir de matériaux naturels, qui permettent d'éviter la production d'électricité statique.

IMPORTANT : LE GUIDAGE VOCAL POUR CET APPAREIL EST UNIQUEMENT DISPONIBLE EN ANGLAIS.

Le guidage vocal peut se faire entendre en provenance de l'appareil :

- Lors de la mise en marche : « Power on » (Marche)
- Lors de la mise en arrêt : « Power off » (Arrêt)
- Lorsque le niveau restant de la batterie est faible et qu'une recharge est recommandée : « Low battery, please recharge headset » (Batterie faible, veuillez recharger le casque d'écoute)
- Lors de la mise en arrêt automatique en raison de la batterie faible : « Please recharge headset. Power off » (Veuillez recharger le casque d'écoute. Arrêt)
- Lors de la vérification du niveau restant de la batterie : « Battery fully charged » / « Battery about 70% » / « Battery about 50% » (Batterie entièrement chargée / Batterie environ 70 % / Batterie environ 50 %)
- Lorsque l'appareil passe en mode de jumelage : « Bluetooth pairing » (Jumelage Bluetooth)
- Lors de l'établissement d'une connexion Bluetooth : « Bluetooth connected » (Bluetooth connecté)
- Lors de la désactivation d'une connexion Bluetooth : « Bluetooth disconnected » (Bluetooth déconnecté)

Précautions

À propos des communications BLUETOOTH®

- La technologie sans fil Bluetooth fonctionne dans un rayon d'environ 10 m (30 pieds). La distance maximale de communication peut varier en fonction de la présence d'obstacles (personnes, objets métalliques, murs, etc.) ou de l'environnement électromagnétique.
- Les communications Bluetooth peuvent ne pas être possibles ou du bruit ou des pertes sonores peuvent se produire dans les conditions suivantes:
- Lorsqu'il y a une personne entre l'appareil et le périphérique Bluetooth. Cette situation peut être améliorée en plaçant le périphérique Bluetooth de manière à ce qu'il soit face à l'antenne de l'appareil.
- Lorsqu'il y a un obstacle, tel qu'un objet métallique ou un mur, entre l'appareil et le périphérique Bluetooth.
- Lorsqu'un périphérique Wi-Fi ou un four à micro-ondes est en cours d'utilisation ou que des micro-ondes sont émises à proximité de l'appareil.
- Comparativement à une utilisation intérieure, l'utilisation extérieure est plus soumise à la réflexion du signal sur les murs, les sols et les plafonds, ce qui entraîne une perte sonore plus fréquente que lors de l'utilisation à l'intérieur.

Ne pas utiliser des accumulateurs rechargeables qui sont endommagés ou qui fuient.

