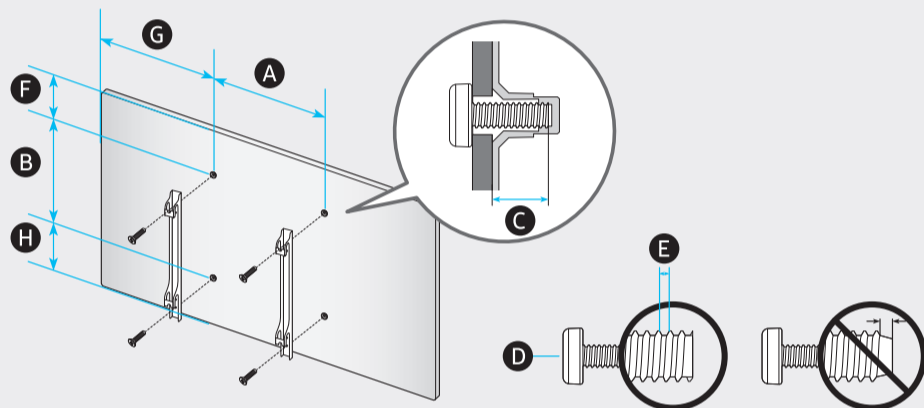


	A	B	C	D	E	F	G	H
QN50QN9*A	43.9 inches (1114.0 mm)	25.4 inches (644.9 mm)	1.1 inches (26.9 mm)	27.9 inches (708.9 mm)	8.8 inches (222.6 mm)	49.5 inches	30.9 lbs (14.0 kg)	41.0 lbs (18.6 kg)
QN55QN9*A	48.3 inches (1227.4 mm)	27.8 inches (706.2 mm)	1.0 inches (25.9 mm)	30.2 inches (768.0 mm)	9.3 inches (235.2 mm)	54.6 inches	39.0 lbs (17.7 kg)	48.3 lbs (21.9 kg)
QN65QN9*A	56.9 inches (1446.3 mm)	32.6 inches (829.3 mm)	1.0 inches (25.9 mm)	35.1 inches (891.4 mm)	11.2 inches (285.4 mm)	64.5 inches	53.8 lbs (24.4 kg)	69.2 lbs (31.4 kg)

\*: 0-9, A-Z



	VESA A x B (mm)	C (mm)	D x 4	E (mm)	F (inches)	G (inches)	H (inches)
QN50QN9*A	200 x 200	11-13	M8	1.25	8.1	17.9	9.2
QN55QN9*A					9.4	20.2	10.3
QN65QN9*A	400 x 300				8.4	20.5	12.2

\*: 0-9, A-Z

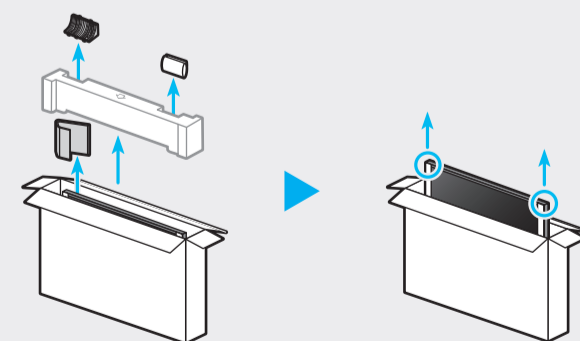
SAMSUNG

# QUICK SETUP GUIDE

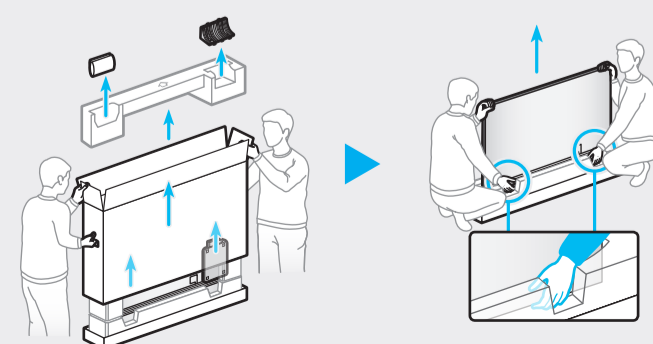


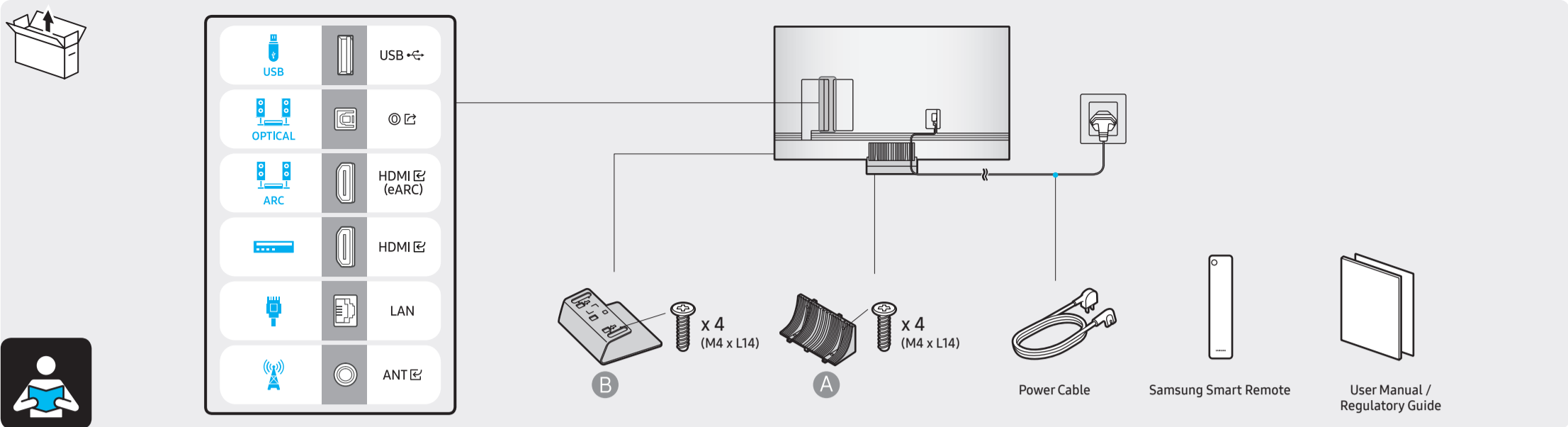
◀ Scan this QR code with your smart phone to see helpful videos.

50"

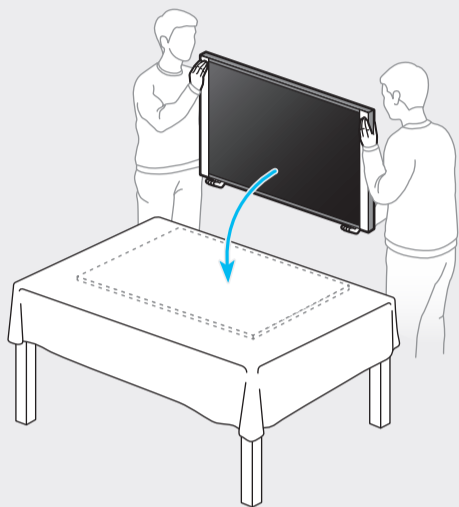


55"  
-  
65"

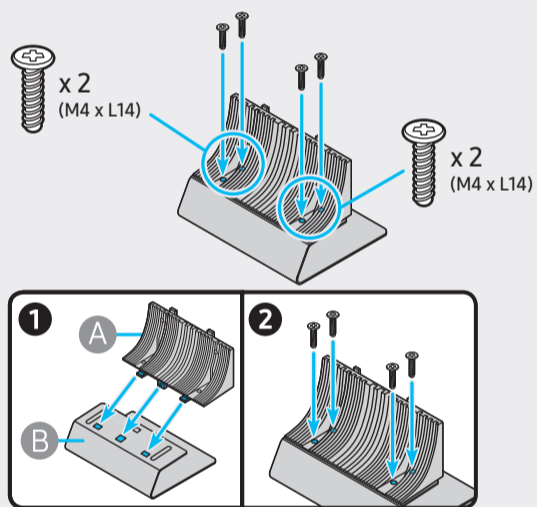




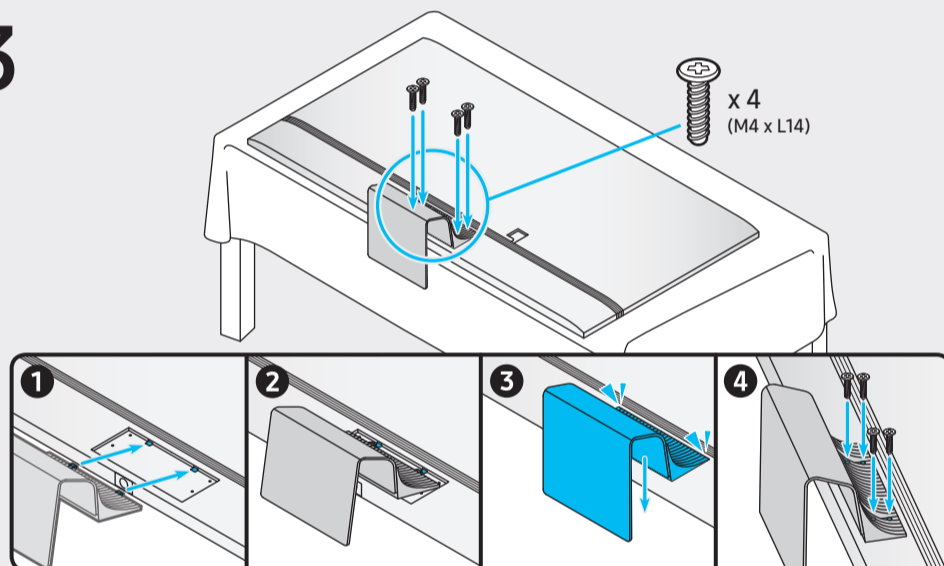
1



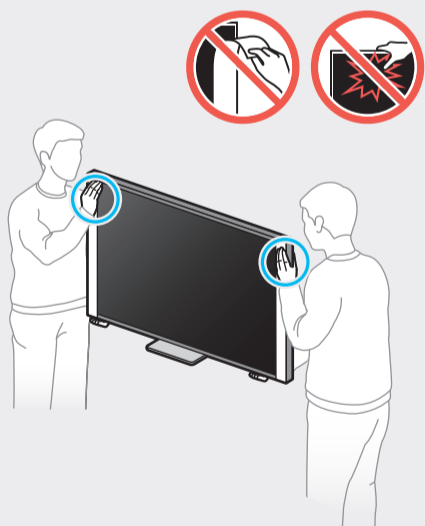
2



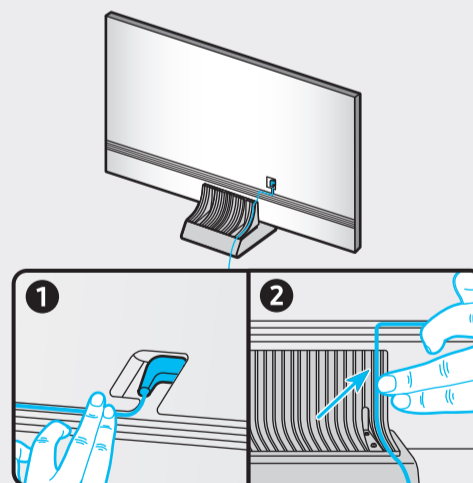
3



4



5



6

