

L390, L390 Yoga, S2 4th Gen, and S2 Yoga
4th Gen
Hardware Maintenance Manual

ThinkPad



Lenovo

Note: Before using this information and the product it supports, be sure to read the general information under Appendix A “Notices” on page 107.

First Edition (December 2018)

© Copyright Lenovo 2018.

LIMITED AND RESTRICTED RIGHTS NOTICE: If data or software is delivered pursuant a General Services Administration “GSA” contract, use, reproduction, or disclosure is subject to restrictions set forth in Contract No. GS-35F-05925.

Contents

About this manualiii

Chapter 1. Safety information 1

General safety	1
Electrical safety	1
Safety inspection guide	3
Handling devices that are sensitive to electrostatic discharge	3
Grounding requirements	4
Safety notices (multilingual translations)	4

Chapter 2. Important service information 21

Strategy for replacing FRUs	21
Strategy for replacing a hard disk drive or a solid-state drive	21
Important notice for replacing a system board	22
How to use error codes	22
Strategy for replacing FRUs for CTO, special-bid, and standard models.	22
Product definition	22
FRU identification.	23

Chapter 3. General checkout 25

What to do first	25
Checkout guide	26
Diagnosing problems	26
Quick test programs	27
UEFI diagnostic program	27
Bootable diagnostic programs	28
Power system checkout	28
Checking the ac power adapter	29
Checking operational charging	29
Checking the battery pack	29
Checking the coin-cell battery	30

Chapter 4. Related service information 31

Recovery overview for the Windows 10 operating system	31
Resetting your computer	31
Using advanced startup options	31
Recovering your operating system if Windows 10 fails to start	32
Creating and using a recovery USB drive	32
Passwords.	32
Power-on password	33
Hard disk password	33

Supervisor password	33
How to remove the power-on password	33
How to remove the hard disk password.	34
Power management	34
Sleep mode	34
Hibernation mode	35
Symptom-to-FRU index	35
Numeric error codes	36
Error messages	38
Beep errors.	38
No-beep symptoms	39
LCD-related symptoms	40
Intermittent problems.	40
Undetermined problems	41

Chapter 5. Special keys 43

Chapter 6. Locations 45

Locating computer controls, connectors, and indicators	45
Front	45
Base	46
Left-side view	46
Right-side view	47
Bottom view	47
Locating FRUs and CRUs	47
Major FRUs and CRUs	49
LCD FRUs and CRUs.	51
Miscellaneous parts	54
Connector and cable guide	54
Looking up FRU information	60

Chapter 7. FRU replacement notices 61

Service tool kit	61
Screw notices	62
Retaining serial numbers	62
Restoring the serial number of the system unit	63
Retaining the UUID.	63

Chapter 8. Removing or replacing a FRU. 65

General guidelines.	65
Disabling the built-in battery	66
1010 MicroSD card	66
1020 ThinkPad Pen Pro.	67
1030 Keyboard	67

1030 Base cover assembly	69
1040 Memory module	71
1060 M.2 solid-state drive.	71
1070 Coin-cell battery	73
1080 Wireless LAN card	74
1090 Battery	75
1100 Speaker assembly	76
1110 Trackpad and trackpad cable	77
1120 Wireless LAN antenna assembly	78
1130 ThinkPad Pen Pro charger with cable	80
1140 Power button board with cable	81
1150 NFC board with cable, NFC antenna	82
1160 Fingerprint reader bracket and fingerprint reader with cable	83
1170 Rear camera board with cable	84
1180 LCD unit	85
1190 HDMI connector bracket	87
1200 USB 3.1 connector bracket	88
1210 Thermal fan	88
1220 System board	90
1230 Keyboard bezel assembly	93

LCD FRUs for Yoga models	93
2010 Strip cover and rubber caps	94
2020 Touch module assembly and hinge rubber.	94
2030 LCD hinges	96
2040 LCD cable and touch control board	97
2050 Infrared camera/microphone module with cable	98
2060 Sensor board with cable and LCD rear cover assembly	100
2070 ThinkPad-logo-LED card with cable	102
LCD FRUs for non-yoga models	102
2080 LCD bezel	102
2090 LCD panel and LCD cable	103
2100 LCD hinges	104
2110 RGB camera/microphone module with cable and LCD rear cover assembly	105

Appendix A. Notices.107

Appendix B. Abbreviation and acronym table109

About this manual

This manual contains service and reference information for the following ThinkPad® product:

ThinkPad L390 Yoga	Machine types: 20NT, 20NU
ThinkPad L390	Machine types: 20NR, 20NS
ThinkPad S2 Yoga 4th Gen	Machine type: 20NW
ThinkPad S2 4th Gen	Machine type: 20NV

Use this manual along with the advanced diagnostic tests to troubleshoot problems.

Important:

This manual is intended only for trained service technicians who are familiar with ThinkPad products. Use this manual along with the advanced diagnostic tests to troubleshoot problems effectively.

Before servicing a ThinkPad product, be sure to read all the information under Chapter 1 “Safety information” on page 1 and Chapter 2 “Important service information” on page 21.

Chapter 1. Safety information

This chapter presents the following safety information that you need to be familiar with before you service a ThinkPad notebook computer.

- “General safety” on page 1
- “Electrical safety” on page 1
- “Safety inspection guide” on page 3
- “Handling devices that are sensitive to electrostatic discharge” on page 3
- “Grounding requirements” on page 4
- “Safety notices (multilingual translations)” on page 4

General safety

Follow these rules to ensure general safety:

- Observe good housekeeping in the area of the machines during and after maintenance.
- When lifting any heavy object:
 1. Ensure that you can stand safely without slipping.
 2. Distribute the weight of the object equally between your feet.
 3. Use a slow lifting force. Never move suddenly or twist when you attempt to lift.
 4. Lift by standing or by pushing up with your leg muscles; this action removes the strain from the muscles in your back. Do not attempt to lift any object that weighs more than 16 kg (35 lb) or that you think is too heavy for you.
- Do not perform any action that causes hazards to the customer, or that makes the equipment unsafe.
- Before you start the machine, ensure that other service technicians and the customer's personnel are not in a hazardous position.
- Place removed covers and other parts in a safe place, away from all personnel, while you are servicing the machine.
- Keep your toolcase away from walk areas so that other people will not trip over it.
- Do not wear loose clothing that can be trapped in the moving parts of a machine. Ensure that your sleeves are fastened or rolled up above your elbows. If your hair is long, fasten it.
- Insert the ends of your necktie or scarf inside clothing or fasten it with a nonconductive clip, about 8 centimeters (3 inches) from the end.
- Do not wear jewelry, chains, metal-frame eyeglasses, or metal fasteners for your clothing, because metal objects are good electrical conductors.
- Wear safety glasses when you are hammering, drilling, soldering, cutting wire, attaching springs, using solvents, or working in any other conditions that might be hazardous to your eyes.
- After service, reinstall all safety shields, guards, labels, and ground wires. Replace any safety device that is worn or defective.
- Reinstall all covers correctly before returning the machine to the customer.
- Fan louvers on the machine help to prevent overheating of internal components. Do not obstruct fan louvers or cover them with labels or stickers.

Electrical safety

Observe the following rules when working on electrical equipment.

Important:

- Use only approved tools and test equipment. Some hand tools have handles covered with a soft material that does not insulate you when working with live electrical currents.
- Many customers have, near their equipment, rubber floor mats that contain small conductive fibers to decrease electrostatic discharges (ESD). Do not use this type of mat to protect yourself from electrical shock.
- Find the room emergency power-off (EPO) switch, disconnecting switch, or electrical outlet. If an electrical accident occurs, you can then operate the switch or unplug the power cord quickly.
- Do not work alone under hazardous conditions or near equipment that has hazardous voltages.
- Disconnect all power before:
 - Performing a mechanical inspection
 - Working near power supplies
 - Removing or installing main units
- Before you start to work on the machine, unplug the power cord. If you cannot unplug it, ask the customer to power off the wall box that supplies power to the machine, and to lock the wall box in the off position.
- If you need to work on a machine that has exposed electrical circuits, observe the following precautions:
 - Ensure that another person, familiar with the power-off controls, is near you. That person must be there to switch off the power, if necessary.
 - Use only one hand when working with powered-on electrical equipment; keep the other hand in your pocket or behind your back.

CAUTION:

An electrical shock can occur only when there is a complete circuit. By observing the above rule, you may prevent a current from passing through your body.

- When using testers, set the controls correctly and use the approved probe leads and accessories for that tester.
- Stand on suitable rubber mats (obtained locally, if necessary) to insulate you from grounds such as metal floor strips and machine frames.

Observe the special safety precautions when you work with very high voltages. Instructions for these precautions are in the safety sections of maintenance information. Use extreme care when measuring high voltages.

- Regularly inspect and maintain your electrical hand tools for safe operational condition.
- Do not use worn or broken tools and testers.
- Never assume that power has been disconnected from a circuit. First, check that it has been powered off.
- Always look carefully for possible hazards in your work area. Examples of these hazards are moist floors, nongrounded power extension cables, power surges, and missing safety grounds.
- Do not touch live electrical circuits with the reflective surface of a plastic dental mirror. The surface is conductive; such touching can cause personal injury and machine damage.
- Do not service the following parts with the power on:
 - Power supply units
 - Pumps
 - Blowers and fans
 - Motor generators
 - Units similar to those listed above

This practice ensures correct grounding of the units.

- If an electrical accident occurs:
 - Use caution; do not become a victim yourself.
 - Switch off power.
 - Send another person to get medical aid.

Safety inspection guide

The purpose of this inspection guide is to assist you in identifying potentially unsafe conditions. As each machine was designed and built, required safety items were installed to protect users and service technicians from injury. This guide addresses only those items. You should use good judgment to identify potential safety hazards due to attachment of non-ThinkPad features or options not covered by this inspection guide.

If any unsafe conditions are present, you must determine how serious the apparent hazard could be and whether you can continue without first correcting the problem.

Consider these conditions and the safety hazards they present:

- Electrical hazards, especially primary power (primary voltage on the frame can cause serious or fatal electrical shock)
- Explosive hazards, such as a damaged CRT face or a bulging capacitor
- Mechanical hazards, such as loose or missing hardware

To determine whether there are any potentially unsafe conditions, use the following checklist at the beginning of every service task. Begin the checks with the power off, and the power cord disconnected.

Checklist:

1. Check exterior covers for damage (loose, broken, or sharp edges).
2. Turn off the computer. Disconnect the power cord.
3. Check the power cord for:
 - a. A third-wire ground connector in good condition. Use a meter to measure third-wire ground continuity for 0.1 ohm or less between the external ground pin and the frame ground.
 - b. The power cord should be the authorized type specified for your computer. Go to: <https://support.lenovo.com/partslookup>.
 - c. Insulation must not be frayed or worn.
4. Check for cracked or bulging batteries.
5. Remove the cover.
6. Check for any obvious non-ThinkPad alterations. Use good judgment as to the safety of any non-ThinkPad alterations.
7. Check inside the unit for any obvious unsafe conditions, such as metal filings, contamination, water or other liquids, or signs of fire or smoke damage.
8. Check for worn, frayed, or pinched cables.
9. Check that the power-supply cover fasteners (screws or rivets) have not been removed or tampered with.

Handling devices that are sensitive to electrostatic discharge

Any computer part containing transistors or integrated circuits (ICs) should be considered sensitive to electrostatic discharge (ESD). ESD damage can occur when there is a difference in charge between objects. Protect against ESD damage by equalizing the charge so that the machine, the part, the work mat, and the person handling the part are all at the same charge.

Notes:

1. Use product-specific ESD procedures when they exceed the requirements noted here.

2. Ensure that the ESD protective devices you use have been certified (ISO 9000) as fully effective.

When handling ESD-sensitive parts:

- Keep the parts in protective packages until they are inserted into the product.
- Avoid contact with other people.
- Wear a grounded wrist strap against your skin to eliminate static on your body.
- Prevent the part from touching your clothing. Most clothing is insulative and retains a charge even when you are wearing a wrist strap.
- Use a grounded work mat to provide a static-free work surface. The mat is especially useful when handling ESD-sensitive devices.
- Select a grounding system, such as those listed below, to provide protection that meets the specific service requirement.

Note: The use of a grounding system to guard against ESD damage is desirable but not necessary.

- Attach the ESD ground clip to any frame ground, ground braid, or green-wire ground.
- When working on a double-insulated or battery-operated system, use an ESD common ground or reference point. You can use coax or connector-outside shells on these systems.
- Use the round ground prong of the ac plug on ac-operated computers.

Grounding requirements

Electrical grounding of the computer is required for operator safety and correct system function. Proper grounding of the electrical outlet can be verified by a certified electrician.

Safety notices (multilingual translations)

The safety notices in this section are provided in the following languages:

- English
- Arabic
- Brazilian Portuguese
- French
- German
- Hebrew
- Japanese
- Korean
- Spanish
- Traditional Chinese



DANGER

Before the computer is powered on after FRU replacement, make sure that all screws, springs, and other small parts are in place and are not left loose inside the computer. Verify this by shaking the computer and listening for rattling sounds. Metallic parts or metal flakes can cause electrical short circuits.



DANGER

Some standby batteries contain a small amount of nickel and cadmium. Do not disassemble a standby battery, recharge it, throw it into fire or water, or short-circuit it. Dispose of the battery as required by local ordinances or regulations. Use only the battery in the appropriate parts listing. Use of an incorrect battery can result in ignition or explosion of the battery.



DANGER

The battery pack contains small amounts of nickel. Do not disassemble it, throw it into fire or water, or short-circuit it. Dispose of the battery pack as required by local ordinances or regulations. Use only the battery in the appropriate parts listing when replacing the battery pack. Use of an incorrect battery can result in ignition or explosion of the battery.



DANGER

The lithium battery can cause a fire, an explosion, or a severe burn. Do not recharge it, remove its polarized connector, disassemble it, heat it above 100°C (212°F), incinerate it, or expose its cell contents to water. Dispose of the battery as required by local ordinances or regulations. Use only the battery in the appropriate parts listing. Use of an incorrect battery can result in ignition or explosion of the battery.



DANGER

If the LCD breaks and the fluid from inside the LCD gets into your eyes or on your hands, immediately wash the affected areas with water for at least 15 minutes. Seek medical care if any symptoms from the fluid are present after washing.



DANGER

To avoid shock, do not remove the plastic cover that protects the lower part of the inverter card.



DANGER

Though the main batteries have low voltage, a short-circuited or grounded battery can produce enough current to burn personnel or combustible materials.



DANGER

Unless hot swap is allowed for the FRU being replaced, do as follows before removing it: power off the computer, unplug all power cords from electrical outlets, remove the battery pack, and disconnect any interconnecting cables.



قبل اعادة تشغيل الحاسب بعد الانتهاء من استبدال FRU، تأكد من أنه قد تم اعادة كل من المسامير و السوست وكل الأجزاء الصغيرة الأخرى في أماكنهم ولم يتم فقدهم داخل الحاسب. ويمكن التحقق من ذلك عن طريق هز الحاسب والاستماع لأي صوت صاخب يصدر منه. قد تؤدي الأجزاء أو الرقائق المعدنية الى حدوث دائرة قصر.



تحتوي بعض البطاريات الاحتياطية على كمية صغيرة من مادتي النيكل والكاديوم. لا تقم بفك أو اعادة شحن البطارية الاحتياطية ولا تقم أيضا بالقائها في النار أو الماء ولا تتسبب في احدث دائرة قصر بها. قم بالتخلص من البطارية كما هو موضح في القوانين المحلية. استخدم نوع البطارية المحدد والذي يوصى باستخدامه. حيث أنه قد يؤدي استخدام نوع بطارية غير صحيح الى اشتعالها أو انفجارها.



تحتوي حزمة البطارية على كمية صغيرة من مادة النيكل. لا تقم بفكها أو القاءها في النار أو الماء ولا تتسبب في احدث دائرة قصر بها. تخلص من حزمة البطارية وفقا لما هو موضح في القوانين المحلية. قم، عند استبدال حزمة البطارية، باستخدام الأنواع المحددة فقط والتي يوصى باستخدامها. حيث أنه قد يؤدي استخدام نوع بطارية غير صحيح الى اشتعالها أو انفجارها.



قد تتسبب بطارية الليثيوم في حدوث حريق أو انفجار أو حدوث حروق شديدة. لا تقم بإعادة شحن البطارية أو إزالة موصل الاستقطاب الخاص بها ولا تحاول أيضا فكها أو تسخينها لأكثر من ١٠٠ درجة مئوية (٢١٢١ فهرنهايت) أو حرقها أو تعريض محتويات الخانة الخاصة بها للماء. قم بالتخلص من البطارية وفقا لما هو موضح في القوانين المحلية. استخدم نوع البطارية المحدد والذي يوصى باستخدامه. حيث أنه قد يؤدي استخدام نوع بطارية غير صحيح الى اشتعالها أو انفجارها.



خطر

إذا ما انكسرت شاشة LCD ولامس السائل الداخلي عينيك أو يديك، قم في الحال بغسلهما بالماء لمدة لا تقل عن ١٥ دقيقة. إذا ما وجدت أي أعراض بعد الغسل اطلب عندئذ المساعدة الطبية.



خطر

لتجنب التعرض لأي صدمات، لا تقم بإزالة الغطاء البلاستيكي الذي يحمي الجزء الأسفل من بطاقة العاكس.



خطر

على الرغم من أن البطاريات الرئيسية يكون لها جهد منخفض، إلا أنه قد تقوم البطاريات التي حدث قصور بها أو التي تم توصيلها أرضيا بإصدار تيار يكفي لحدوث حروق للأفراد أو تعرض المواد القابلة للاشتعال للحريق.



خطر

ما لم يتم السماح بالتبديل الفوري لأي FRU الجاري استبداله بدون ضرورة اغلاق النظام، قم بتنفيذ ما يلي قبل ازالته. قم بإيقاف تشغيل الحاسب ونزع كل أسلاك الطاقة من المخارج الكهربائية وقم أيضا بإزالة حزمة البطارية ثم قم بفصل أي كابلات متصلة.



PERIGO

Antes de ligar o computador após a substituição da FRU, certifique-se de que todos os parafusos, molas e outras peças pequenas estejam no lugar e não estejam soltos dentro do computador. Verifique isso sacudindo o computador e procurando ouvir sons de peças soltas. Peças metálicas ou lascas de metal podem causar curto-circuito.



PERIGO

Algumas baterias reserva contêm uma pequena quantidade de níquel e cádmio. Não desmonte uma bateria reserva, recarregue-a, jogue-a no fogo ou na água, ou deixe-a entrar em curto-circuito. Descarte a bateria conforme requerido pelas leis ou regulamentos locais. Use somente a bateria nas partes listadas apropriadas. O uso de uma bateria incorreta pode resultar em combustão ou explosão da bateria.



PERIGO

O pacote da bateria contém uma pequena quantidade de níquel. Não o desmonte, jogue-o no fogo ou na água, ou deixe-o entrar em curto-circuito. Descarte o pacote da bateria conforme requerido pelas leis ou regulamentos locais. Use somente a bateria nas partes listadas apropriadas ao substituir o pacote da bateria. O uso de uma bateria incorreta pode resultar em combustão ou explosão da bateria.



PERIGO

A bateria de lítio pode causar incêndio, explosão ou graves queimaduras. Não a recarregue, remova seu conector polarizado, desmonte-a, aqueça-a acima de 100°C (212°F), incinere-a, ou exponha o conteúdo de sua célula à água. Descarte a bateria conforme requerido pelas leis ou regulamentos locais. Use somente a bateria nas partes listadas apropriadas. O uso de uma bateria incorreta pode resultar em combustão ou explosão da bateria.



PERIGO

Se o LCD quebrar e o fluido de dentro dele entrar em contato com seus olhos ou com suas mãos, lave as áreas afetadas imediatamente com água durante pelo menos 15 minutos. Procure cuidados médicos se algum sintoma causado pelo fluido surgir após a lavagem.



PERIGO

Para evitar choque elétrico, não remova a capa plástica que protege a parte inferior da placa inversora.



PERIGO

Embora as principais baterias possuam baixa voltagem, uma bateria em curto-circuito ou aterrada pode produzir corrente o bastante para queimar materiais de pessoal ou inflamáveis.



PERIGO

A menos que uma hot swap seja permitida para a FRU que está sendo substituída, faça o seguinte antes de removê-la: desligue o computador, desconecte todos os cabos de energia das tomadas, remova o pacote de baterias e desconecte quaisquer cabos de interconexão.



DANGER

Avant de remettre l'ordinateur sous tension après remplacement d'une unité en clientèle, vérifiez que tous les ressorts, vis et autres pièces sont bien en place et bien fixées. Pour ce faire, secouez l'unité et assurez-vous qu'aucun bruit suspect ne se produit. Des pièces métalliques ou des copeaux de métal pourraient causer un court-circuit.



DANGER

Certaines batteries de secours contiennent du nickel et du cadmium. Ne les démontez pas, ne les rechargez pas, ne les exposez ni au feu ni à l'eau. Ne les mettez pas en court-circuit. Pour les mettre au rebut, conformez-vous à la réglementation en vigueur. Lorsque vous remplacez la pile de sauvegarde ou celle de l'horloge temps réel, veillez à n'utiliser que les modèles cités dans la liste de pièces détachées adéquate. Une batterie ou une pile inappropriée risque de prendre feu ou d'exploser.



DANGER

La batterie contient du nickel. Ne la démontez pas, ne l'exposez ni au feu ni à l'eau. Ne la mettez pas en court-circuit. Pour la mettre au rebut, conformez-vous à la réglementation en vigueur. Lorsque vous remplacez la batterie, veillez à n'utiliser que les modèles cités dans la liste de pièces détachées adéquate. En effet, une batterie inappropriée risque de prendre feu ou d'exploser.



DANGER

La pile de sauvegarde contient du lithium. Elle présente des risques d'incendie, d'explosion ou de brûlures graves. Ne la rechargez pas, ne retirez pas son connecteur polarisé et ne la démontez pas. Ne l'exposez pas à une température supérieure à 100°C, ne la faites pas brûler et n'en exposez pas le contenu à l'eau. Mettez la pile au rebut conformément à la réglementation en vigueur. Une pile inappropriée risque de prendre feu ou d'exploser.



DANGER

Si le panneau d'affichage à cristaux liquides se brise et que vous recevez dans les yeux ou sur les mains une partie du fluide, rincez-les abondamment pendant au moins quinze minutes. Consultez un médecin si des symptômes persistent après le lavage.



DANGER

Afin d'éviter tout risque de choc électrique, ne retirez pas le cache en plastique protégeant la partie inférieure de la carte d'alimentation.



DANGER

Bien que le voltage des batteries principales soit peu élevé, le court-circuit ou la mise à la masse d'une batterie peut produire suffisamment de courant pour brûler des matériaux combustibles ou causer des brûlures corporelles graves.



DANGER

Si le remplacement à chaud n'est pas autorisé pour l'unité remplaçable sur site que vous remplacez, procédez comme suit avant de retirer l'unité : mettez l'ordinateur hors tension, débranchez tous les cordons d'alimentation des prises de courant, retirez le bloc de batterie et déconnectez tous les câbles d'interconnexion.



VORSICHT

Bevor nach einem FRU-Austausch der Computer wieder angeschlossen wird, muß sichergestellt werden, daß keine Schrauben, Federn oder andere Kleinteile fehlen oder im Gehäuse vergessen wurden. Der Computer muß geschüttelt und auf Klappergeräusche geprüft werden. Metallteile oder-splitter können Kurzschlüsse erzeugen.



VORSICHT

Die Bereitschaftsbatterie, die sich unter dem Diskettenlaufwerk befindet, kann geringe Mengen Nickel und Cadmium enthalten. Sie darf nur durch die Verkaufsstelle oder den IBM Kundendienst ausgetauscht werden. Sie darf nicht zerlegt, wiederaufgeladen, kurzgeschlossen, oder Feuer oder Wasser ausgesetzt werden. Die Batterie kann schwere Verbrennungen oder Verätzungen verursachen. Bei der Entsorgung die örtlichen Bestimmungen für Sondermüll beachten. Beim Ersetzen der Bereitschafts- oder Systembatterie nur Batterien des Typs verwenden, der in der Ersatzteilliste aufgeführt ist. Der Einsatz falscher Batterien kann zu Entzündung oder Explosion führen.



VORSICHT

Akkus enthalten geringe Mengen von Nickel. Sie dürfen nicht zerlegt, wiederaufgeladen, kurzgeschlossen, oder Feuer oder Wasser ausgesetzt werden. Bei der Entsorgung die örtlichen Bestimmungen für Sondermüll beachten. Beim Ersetzen der Batterie nur Batterien des Typs verwenden, der in der Ersatzteilliste aufgeführt ist. Der Einsatz falscher Batterien kann zu Entzündung oder Explosion führen.



VORSICHT

Die Systembatterie ist eine Lithiumbatterie. Sie kann sich entzünden, explodieren oder schwere Verbrennungen hervorrufen. Batterien dieses Typs dürfen nicht aufgeladen, zerlegt, über 100°C erhitzt oder verbrannt werden. Auch darf ihr Inhalt nicht mit Wasser in Verbindung gebracht oder der zur richtigen Polung angebrachte Verbindungsstecker entfernt werden. Bei der Entsorgung die örtlichen Bestimmungen für Sondermüll beachten. Beim Ersetzen der Batterie nur Batterien des Typs verwenden, der in der Ersatzteilliste aufgeführt ist. Der Einsatz falscher Batterien kann zu Entzündung oder Explosion führen.



VORSICHT

Die Leuchtstoffröhre im LCD-Bildschirm enthält Quecksilber. Bei der Entsorgung die örtlichen Bestimmungen für Sondermüll beachten. Der LCD-Bildschirm besteht aus Glas und kann zerbrechen, wenn er unsachgemäß behandelt wird oder der Computer auf den Boden fällt. Wenn der Bildschirm beschädigt ist und die darin befindliche Flüssigkeit in Kontakt mit Haut und Augen gerät, sollten die betroffenen Stellen mindestens 15 Minuten mit Wasser abgespült und bei Beschwerden anschließend ein Arzt aufgesucht werden.



VORSICHT

Aus Sicherheitsgründen die Kunststoffabdeckung, die den unteren Teil der Spannungswandlerplatine umgibt, nicht entfernen.



VORSICHT

Obwohl Hauptbatterien eine niedrige Spannung haben, können sie doch bei Kurzschluß oder Erdung genug Strom abgeben, um brennbare Materialien zu entzünden oder Verletzungen bei Personen hervorzurufen.



VORSICHT

Wenn ein Austausch der FRU bei laufendem Betrieb nicht erlaubt ist, gehen Sie beim Austausch der FRU wie folgt vor: Schalten Sie den Computer aus, ziehen Sie alle Netzkabel von den Netzsteckdosen ab, entfernen Sie den Akku und ziehen Sie alle miteinander verbundenen Kabel ab.



סכנה

לפני הפעלת המחשב לאחר החלפת FRU יש לוודא שכל הברגים, הקפיצים, וחלקים קטנים אחרים נמצאים במקומם ואינם חופשיים לזוז בתוך המחשב. כדי לוודא זאת, יש לטלטל את המחשב ולחקשיב לגילוי קולות שקשוק. חלקי או שבבי מתכת עלולים לגרום לקצרים חשמליים.



סכנה

סוללות המתנה מסוימות מכילות כמות קטנה של ניקל וקדמיום. אין לפרק סוללת המתנה, לטעון אותה מחדש, להשליך אותה לאש או למים או לקצר אותה. יש לסלק את הסוללה בנדרש על ידי התקנות והחוקים המקומיים. יש להשתמש רק בסוללה המופיעה ברשימת החלקים המתאימה. שימוש בסוללה לא מתאימה עלול לגרום להצתה או התפוצצות של הסוללה.



סכנה

מארוז הסוללה מכיל כמות קטנה של ניקל וקדמיום. אין לפרק את מארוז הסוללה, להשליך אותו לאש או למים או לקצר אותו. יש לסלק את מארוז הסוללה כנדרש על ידי התקנות והחוקים המקומיים. יש להשתמש רק בסוללה המופיעה ברשימת החלקים המתאימה בזמן החלפת מארוז הסוללה. שימוש בסוללה לא מתאימה עלול לגרום להצתה או התפוצצות של הסוללה.



סכנה

סוללת הליתיום עלולה לגרום לשריפה, להתפוצצות או לכוויות קשות. אין לטעון אותה מחדש, לסלק את המחבר המקוטב שלה, לפרק אותה או לחמם אותה לטמפרטורה העולה על 100 מעלות צלזיוס. אין לשרוף את הסוללה ואין לחשוף את תוכן התא למים. יש לסלק את הסוללה בנדרש בתקנות ובחוקים המקומיים. יש להשתמש רק בסוללה המופיעה ברשימת החלקים המתאימים. שימוש בסוללה אחרת עלול לגרום לסכנת שריפה או התפוצצות.



סכנה

אם מסך הנביש הנוזלי (LCD) נשבר והנוזל מתוך המסך בא במגע עם עיניכם או ידיכם, שטפו את האזורים הנגועים מיד במים במשך 15 דקות לפחות. פנו לקבלת עזרה רפואית אם תסמינים הנובעים מחמצנו עם הנוזל נמשכים לאחר השטיפה.



סכנה

כדי למנוע התחשמלות, אין להסיר את מכסה הפלסטיק המגן על חלקו התחתון של הכרטיס ההפוך.



סכנה

אף שהסוללות הראשיות הן בעלות מתח נמוך, סוללה מקוצרת או מוארכת עלולה להפיק זרם מספיק לגרימת כוויות או להצתת חומרים דליקים.



סכנה

אלא אם כן מותרת יחלפה חמח' של ה-FRU המוחלף, פעלו כדלהלן לפני הסרתו:
כבו את המחשב, נתקו את כל כבלי החשמל מחשקעים, הוציאו את מארז הסוללות ונתקו את כל הכבלים
המחוברים.



危険

FRUの交換後、ThinkPadの電源を入れる前に、ねじ、バネ、その他の小さな部品がすべて正しい位置にあり、またThinkPadの内部で緩んでいないことを確認してください。
これを確認するには、ThinkPadを振って、カチャカチャと音がしないか確かめます。金属部品や金属破片はショートの原因になることがあります。



危険

予備バッテリーの中には少量のニッケルとカドミウムが含まれているものがあります。したがって、予備バッテリーの分解、再充電、火または水の中への投棄、またはショートさせることは決して行わないでください。バッテリーを廃棄する場合は地方自治体の条例に従ってください。適切なパーツ・リストにあるバッテリーだけを使用してください。誤ったバッテリーを使用すると、バッテリーが発火したり、爆発したりすることがあります。



危険

バッテリー・パックには少量のニッケルが含まれています。バッテリー・パックを分解したり、火または水の中に投げ込んだり、ショートさせないでください。バッテリー・パックの廃棄にあたっては、地方自治体の条例または規則に従ってください。バッテリー・パックを交換するときは、適切なパーツ・リストにあるバッテリーだけを使用してください。誤ったバッテリーを使用すると、バッテリーが発火したり、爆発したりすることがあります。



危険

リチウム・バッテリーは、火災、爆発、または重症のやけどを引き起こすことがあります。バックアップ・バッテリーの充電、その極性コネクタの取り外し、バッテリー本体の分解、100°C (212°F) 以上への加熱、焼却、電池の中身を水に浸すことはしないでください。バッテリーを廃棄する場合は地方自治体の条例に従ってください。適切なパーツ・リストにあるバッテリーだけを使用してください。誤ったバッテリーを使用すると、バッテリーが発火したり、爆発したりすることがあります。



危険

LCD が破損し、LCD 中の液体が目に入ったり、手に触れたりした場合は、液体が触れた部分を少なくとも 15 分間洗い流してください。洗い流した後に、液体によって何らかの症状が現れた場合は、医師の治療を受けてください。



危険

感電を防ぐため、インバーター・カードの下部を保護しているプラスチック・カバーを外さないでください。



危険

メイン・バッテリーの電圧は低くても、ショートしたり、接地したバッテリーが、作業者にやけどを負わせたり、可燃物を燃やすだけの電流を発生させる場合があります。



危険

交換しようとしている FRU がホット・スワップに対応していない場合、それを取り外す前に、コンピューターの電源をオフにし、すべての電源コードをコンセントから抜き、バッテリー・パックを取り外して、相互接続しているケーブルをすべて切り離してください。



위험

FRU를 교체하고 나서 컴퓨터 전원을 켜기 전에 모든 나사, 스프링 및 기타 작은 부품들이 올바른 위치에 있는지, 컴퓨터 내부에 단단하게 연결되어 있는지 확인하십시오. 컴퓨터를 흔들어 달걀거리는 소리가 나지 않는지 확인하십시오. 금속 부품 또는 금속 조각은 누전을 일으킬 수 있습니다.



위험

일부 보조 배터리에는 소량의 니켈 및 카드뮴이 포함되어 있습니다. 보조 배터리를 분해하거나, 다시 충전하거나, 불 또는 물에 던지거나, 단락시키지 마십시오. 배터리 팩을 폐기할 때에는 해당 지역의 법률 규정을 따르십시오. 배터리 팩을 교체할 때에는 올바른 배터리만 사용하십시오. 올바르지 않은 배터리를 사용하면 배터리가 발화되거나 폭발할 수 있습니다.



위험

배터리 팩에는 소량의 니켈이 포함되어 있습니다. 배터리 팩을 분해하거나, 불 또는 물에 던지거나, 단락시키지 마십시오. 배터리 팩을 폐기할 때에는 해당 지역의 법률 규정을 따르십시오. 배터리 팩을 교체할 때에는 올바른 배터리를 사용하십시오. 올바르게 않은 배터리를 사용하면 배터리가 발화되거나 폭발할 수 있습니다.



위험

리튬 배터리는 화재, 폭발 또는 심각한 화상을 일으킬 수 있습니다. 리튬 배터리를 다시 충전하거나, 극성 커넥터를 제거하거나, 분해하거나, 100C(212F) 이상으로 가열하거나, 소각하거나, 전지 내용물을 물에 노출시키지 마십시오. 배터리를 폐기할 때에는 해당 지역의 법률 규정을 따르십시오. 올바른 배터리를 사용하십시오. 올바르게 않은 배터리를 사용하면 배터리가 발화되거나 폭발할 수 있습니다.



위험

LCD가 파손되어 LCD 내부의 액체가 눈에 들어가거나 손에 묻으면 즉시 깨끗한 물로 15분 이상 닦아 내십시오. 씻은 후에 조금이라도 이상을 느끼면 즉시 병원에 가서 의사의 진찰을 받아야 합니다.



위험

전기적 위험을 방지하려면 인버터 카드의 아래 부분을 보호하는 플라스틱 덮개를 제거하지 마십시오.



위험

기본 배터리의 전압은 낮지만, 단락되거나 접지된 배터리는 화상을 입히기에 충분한 전류와 가연성 물질을 발생시킬 수 있습니다.



위험

FRU 교체 시 Hot Swap이 지원되지 않는 경우, FRU를 제거하기 전에 컴퓨터의 전원을 끄고, 전기 콘센트에서 전원 코드를 분리하고, 배터리를 제거한 후, 연결된 모든 케이블을 분리하십시오.



PELIGRO

Antes de encender el sistema despues de sustituir una FRU, compruebe que todos los tornillos, muelles y demás piezas pequeñas se encuentran en su sitio y no se encuentran sueltas dentro del sistema. Compruébelo agitando el sistema y escuchando los posibles ruidos que provocarían. Las piezas metálicas pueden causar cortocircuitos eléctricos.



PELIGRO

Algunas baterías de reserva contienen una pequeña cantidad de níquel y cadmio. No las desmonte, ni recargue, ni las eche al fuego o al agua ni las cortocircuite. Deséchelas tal como dispone la normativa local. Utilice sólo baterías que se encuentren en la lista de piezas. La utilización de una batería no apropiada puede provocar la ignición o explosión de la misma.



PELIGRO

Las baterías contienen pequeñas cantidades de níquel. No las desmonte, ni recargue, ni las eche al fuego o al agua ni las cortocircuite. Deséchelas tal como dispone la normativa local. Utilice sólo baterías que se encuentren en la lista de piezas al sustituir la batería. La utilización de una batería no apropiada puede provocar la ignición o explosión de la misma.



PELIGRO

La batería de repuesto es una batería de litio y puede provocar incendios, explosiones o quemaduras graves. No la recargue, ni quite el conector polarizado, ni la desmonte, ni caliente por encima de los 100°C (212°F), ni la incinere ni exponga el contenido de sus celdas al agua. Deséchela tal como dispone la normativa local.



PELIGRO

Si la LCD se rompe y el fluido de su interior entra en contacto con sus ojos o sus manos, lave inmediatamente las áreas afectadas con agua durante 15 minutos como mínimo. Obtenga atención medica si se presenta algún síntoma del fluido despues de lavarse.



PELIGRO

Para evitar descargas, no quite la cubierta de plástico que rodea la parte baja de la tarjeta invertida.



PELIGRO

Aunque las baterías principales tienen un voltaje bajo, una batería cortocircuitada o con contacto a tierra puede producir la corriente suficiente como para quemar material combustible o provocar quemaduras en el personal.



PELIGRO

Salvo que se permita el intercambio en caliente para la unidad sustituible localmente, realice lo siguiente antes de extraerla: apague el sistema, desconecte todos los cables de alimentación de las tomas de alimentación eléctrica, extraiga la batería y desconecte los cables de interconexión.



危險

完成 FRU 更換之後，在開啟電腦的電源之前，請確定所有螺絲、彈簧及其他小零件都已歸位，沒有遺留在電腦內部。
若要確認這一點，請搖晃電腦，聽聽看是否有卡嗒的聲響。
金屬零件或儀錶的火花會造成電線短路。



危險

部分備用電池含有微量的鎳和鎘。請勿拆開備用電池、再充電、丟入火或水中，或使其形成短路。請按照當地法令或規定來棄置電池。
僅限使用零件清單中的電池。使用不適當的電池會導致電池起火或爆炸。



危險

電池套件含有微量的鎳。請勿拆開電池套件、丟入火或水中，或使其形成短路。
請按照當地法令或規定來棄置電池套件。
更換電池套件時，僅限使用零件清單中的電池。使用不適當的電池會導致電池起火或爆炸。



危險

鋰電池會導致起火、爆炸或嚴重燒傷。請勿再充電、拔除其電極接頭、拆開、加熱超過 100°C (212°F)、焚燒，或讓電池組成物浸到水。請按照當地法令或規定來棄置電池。
僅限使用零件清單中的電池。使用不適當的電池會導致電池起火或爆炸。



危險

如果 LCD 破裂導致 LCD 流出的液體沾到您的眼睛或手，請立即以清水沖洗沾染部位至少 15 分鐘。如果在清洗後出現該液體所造成的任何症狀，請就醫治療。



危險

為避免電擊，請勿拆下轉換卡下面的塑膠護蓋。



危險

雖然主電池的電壓很低，但短路或接地電池所產生的電流，仍足以使人燒傷或使可燃物質起火。



危險

除非 FRU 允許以熱抽換來替換，否則請依下列方式將其移除：將電腦關機，拔除插座上所有電源線，移除電池包，並拔開任何交互連接的線材。

Chapter 2. Important service information

This chapter introduces the following important service information that applies to all machine types supported by this manual:

- “Strategy for replacing FRUs” on page 21
 - “Strategy for replacing a hard disk drive or a solid-state drive” on page 21
 - “Important notice for replacing a system board” on page 22
 - “How to use error codes” on page 22
- “Strategy for replacing FRUs for CTO, special-bid, and standard models” on page 22
 - “Product definition” on page 22
 - **“FRU identification”** on page 23

Important:

- Advise customers to contact the Lenovo® Customer Support Center if they need any assistance in obtaining or installing any software fixes, drivers, and UEFI BIOS downloads. Telephone numbers for Lenovo Support are available at:
<https://pcsupport.lenovo.com/supportphonenumberlist>
- System disassembly and reassembly videos that show the FRU removal or replacement procedures for the Lenovo authorized service technicians are available at:
<http://www.lenovoservicetraining.com/ion/>

Strategy for replacing FRUs

Before replacing parts:

Ensure that all software fixes, drivers, and UEFI BIOS downloads are installed before you replace any FRUs listed in this manual.

After a system board is replaced, ensure that the latest UEFI BIOS is loaded to the system board before you complete the service action.

To download and install software fixes, drivers, and UEFI BIOS, go to <https://support.lenovo.com> and follow the instructions on the screen.

Use the following strategy to prevent unnecessary expense for replacing and servicing FRUs:

- If you are instructed to replace a FRU but the replacement does not correct the problem, reinstall the original FRU before you continue.
- Some computers have both a processor board and a system board. If you are instructed to replace either the processor board or the system board, and replacing one of them does not correct the problem, reinstall that board, and then replace the other one.
- If an adapter or a device consists of more than one FRU, any of the FRUs might be the cause of the error. Before replacing the adapter or device, remove the FRUs, one by one, to see if the symptoms change. Replace only the FRU that changed the symptoms.

Strategy for replacing a hard disk drive or a solid-state drive

Always try to run a low-level format operation before replacing a hard disk drive or a solid-state drive. This will cause all customer data on the drive to be lost. Ensure that the customer has a current backup of the data before you perform this task.

Attention: The drive startup sequence in the computer you are servicing might have been changed. Be extremely careful during write operations such as copying, saving, or formatting. If you select an incorrect drive, data or programs can be overwritten.

Important notice for replacing a system board

Some components mounted on a system board are very sensitive. Improper handling of a system board can cause damage to those components, and may cause a system malfunction.

Attention: When handling a system board:

- Do not drop a system board or apply any excessive force to it.
- Avoid rough handling of any kind.
- Avoid bending a system board and hard pushing to prevent cracking at each Ball Grid Array (BGA) chipset.

How to use error codes

Use the error codes displayed on the screen to diagnose failures. If more than one error code is displayed, begin the diagnosis with the first error code. Whatever causes the first error code might also cause false error codes. If no error code is displayed, see whether the error symptom is listed in the “Symptom-to-FRU Index” section.

Strategy for replacing FRUs for CTO, special-bid, and standard models

This topic provides information about the model types and FRU identification.

Product definition

This topic introduces different model types and how to identify each type.

Dynamic Configure To Order (CTO) model

This model provides the ability for a customer to configure a Lenovo solution from a Web site, and have this configuration sent to fulfillment, where it is built and shipped directly to the customer. The machine label and eSupport will load these products as the 4-character MT, 4-character model, and 2-character country code. The model is “CTO1” and the default country code is “WW” (example: 20AACTO1WW).

Special-bid model

This model is a unique configuration that has been negotiated between Lenovo and the customer. A unique MTM consists of a 4-character MT, a 4-character model, and a numeric 2-character country code is provided to the customer to place orders (example: 20AA000955). The country code assigned is numeric and does not designate a specific country or region. The custom model factsheet for the MTM indicates which country the special-bid MTM is set up for. Special-bid offering is not generally announced.

Standard model

Standard models (fixed configuration) are announced and offered to all customers. The MTM portion of the machine label consists of a 4-character MT, a 4-character model, and an alphabetic 2-character country code. The country code assigned is alphabetic and represents a designated country or region (example: 20AA0009UK).

FRU identification

Use Lenovo eSupport to identify major FRUs, FRU part numbers, and FRU descriptions for a product at an MT - serial number level. Examples of major FRUs are hard disk drive, system board, and liquid crystal display (LCD).

To identify the major FRUs for a product, do the following:

1. Go to:
<https://support.lenovo.com/ibasepartslookup>
2. Type the Machine Type in the corresponding field to get a general FRU list. Or type the Serial Number for more detailed FRU information.

Chapter 3. General checkout

This chapter presents following information:

- “What to do first” on page 25
- “Checkout guide” on page 26
- “Power system checkout” on page 28

Some descriptions in this chapter might not apply to your particular computer.

Before you go to the checkout guide, be sure to read the following important notes.

Important notes:

- **Only certified trained personnel should service the computer.**
- **Before replacing any FRU, read the entire page on removing and replacing FRUs.**
- **When you replace FRUs, it is recommended to use new nylon-coated screws.**
- **Be extremely careful during such write operations as copying, saving, or formatting.** Drives in the computer that you are servicing sequence might have been altered. If you select an incorrect drive, data or programs might be overwritten.
- **Replace a FRU only with another FRU of the correct model.** When you replace a FRU, ensure that the model of the machine and the FRU part number are correct.
- **A FRU should not be replaced because of a single, unreproducible failure.** Single failures can occur for a variety of reasons that have nothing to do with a hardware defect, such as cosmic radiation, ESD, or software errors. Consider replacing a FRU only when a problem recurs. If you suspect that a FRU is defective, clear the error log and run the test again. If the error does not recur, do not replace the FRU.
- **Be careful not to replace a nondefective FRU.**

What to do first

When you return a FRU, you must include the following information in the parts exchange form or parts return form that you attach to it:

1. Name and phone number of service technician
2. Date of service
3. Date on which the machine failed
4. Date of purchase
5. Failure symptoms, error codes appearing on the display, and beep symptoms
6. Procedure index and page number in which the failing FRU was detected
7. Failing FRU name and part number
8. Machine type, model number, and serial number
9. Customer's name and address

Note: During the warranty period, the customer may be responsible for repair costs if the computer damage was caused by misuse, accident, modification, unsuitable physical or operating environment, or improper maintenance by the customer. Following is a list of some common items that are not covered under warranty and some symptoms that might indicate that the system was subject to stress beyond normal use.

Before checking problems with the computer, determine whether the damage is covered under the warranty by referring to the following list:

The following are not covered under warranty:

- LCD panel cracked from the application of excessive force or from being dropped
- Scratched (cosmetic) parts

- Distortion, deformation, or discoloration of the cosmetic parts
- Plastic parts, latches, pins, or connectors that have been cracked or broken by excessive force
- Damage caused by liquid spilled into the system
- Damage caused by the improper insertion of a PC Card or the installation of an incompatible card
- Improper disc insertion or use of an optical drive
- Diskette drive damage caused by pressure on the diskette drive cover, foreign material in the drive, or the insertion of a diskette with multiple labels
- Damaged or bent diskette eject button
- Fuses blown by attachment of a nonsupported device
- Forgotten computer password (making the computer unusable)
- Sticky keys caused by spilling a liquid onto the keyboard
- Use of an incorrect ac power adapter on laptop products

The following symptoms might indicate damage caused by nonwarranted activities:

- Missing parts might be a symptom of unauthorized service or modification.
- Check for obvious damage to a hard disk drive. If the spindle of a hard disk drive becomes noisy, the hard disk drive might have been dropped or subject to excessive force.

Checkout guide

Use the following procedures as a guide in identifying and correcting problems with the ThinkPad notebook computer.

Note: The diagnostic tests are intended to test only ThinkPad products. The use of non-ThinkPad products, prototype cards, or modified options can lead to false indications of errors and invalid system responses.

1. Identify the failing symptoms in as much detail as possible.
2. Verify the symptoms. Try to re-create the failure by running the diagnostic test or by repeating the operation.

Diagnosing problems

Many computer problems can be solved without outside assistance. If you experience a problem with your computer, the first place to start is the troubleshooting information in your computer documentation. If you suspect a software problem, see the documentation, including readme files and help information systems, that come with the operating system or program.

Lenovo Vantage is preinstalled on your computer. It supports the hardware scan function. It combines diagnostic tests, system information collection, security status, and support information, along with hints and tips for optimal system performance.

Note: If you are unable to isolate and repair the problem yourself after running the program, save and print the log files created by the program. You need the log files when you speak to a Lenovo technical support representative.

The troubleshooting information or the diagnostic programs might tell you that you need additional or updated device drivers or other software. You can get the latest technical information and download device drivers and updates from the Lenovo Support Web site at:

<https://support.lenovo.com>

For additional information, see the help system of the program.

Quick test programs

Run quick test programs to troubleshoot and resolve computer problems, especially when the computer does not have the Lenovo Solution center installed.

To download and install a quick test program, go to <https://www.lenovo.com/diags>, and follow the instructions on the Web site.

To run a test using quick test program, do the following:

1. Go to the C:\SWTOOLS\ldiag directory.
2. Double-click the lsc_lite.exe file.
3. When the **User Account Control** window opens, click **Yes**.
4. Select the device class to be tested.
5. Select the devices to be tested.
6. Select the test to be performed.
7. Follow the instructions on the screen to start the test. When a problem is detected, information messages are displayed. Refer to the messages to troubleshoot the problem.

UEFI diagnostic program

A UEFI diagnostic program is preinstalled on the computer. This program enables you to view system information and test some hardware devices in your computer, such as memory, storage devices, the LCD, and system board buses.

To run the UEFI diagnostic program, do the following:

1. Turn on the computer. If the computer cannot be turned on, go to “Power system checkout” on page 28, and check the power sources. If an error code is displayed, go to “Symptom-to-FRU index” on page 35 for error code descriptions and troubleshooting hints.
2. When the ThinkPad logo is displayed, repeatedly press and release the F10 key. The main screen of the UEFI diagnostic program is displayed.
3. Follow the instructions on the screen to use the program.

The following table displays the main items of the UEFI diagnostic program. Depending on the model, the items might differ slightly.

Table 1. Items on the main screen of the UEFI diagnostic program

Tests	Tools
<ul style="list-style-type: none">• Memory quick test• Memory extended test• Memory bit fade test (180 min)• Quick storage device test• LCD test• PCI-e test• Motherboard buses test• Exit application	<ul style="list-style-type: none">• System information• Generate configuration file• Execute from configuration file• Recover bad sectors tool

Note: The recover bad sectors tool is only available on computers that have hard disk drives installed.

Bootable diagnostic programs

If the computer you are servicing is not installed with the UEFI diagnostic program, you can download a bootable diagnostic program from the Lenovo Support Web site. The bootable diagnostic program enables you to view system information and test some hardware devices in your computer, such as memory, storage devices, the LCD, and system board buses. To use the bootable diagnostic program, you can create a bootable diagnostic medium using a USB device or disc.

To create a bootable diagnostic medium, do the following:

1. Go to <https://www.lenovo.com/diags>.
2. Click **Lenovo Bootable Diagnostics**.
3. Follow the instructions on the Web site to create a bootable diagnostic medium on a USB device or disc.

To use the diagnostic medium you have created, do one of the following:

- If you have created the bootable diagnostic medium on a USB device, do the following:
 1. Attach the USB device to the computer.
 2. Turn on the computer. If the computer cannot be turned on, go to “Power system checkout” on page 28, and check the power sources. If an error code is displayed, go to “Symptom-to-FRU index” on page 35 for error code descriptions and troubleshooting hints.
 3. When the ThinkPad logo is displayed, repeatedly press and release the F12 key. When the Boot Menu window opens, release the F12 key.
 4. Use the arrow keys to select **USB HDD** and then press Enter. The diagnostic program launches.
 5. Follow the instructions on the screen to use the diagnostic program.
- If you have created the bootable diagnostic medium using a disc, do the following:
 1. Turn on the computer. If the computer cannot be turned on, go to “Power system checkout” on page 28, and check the power sources. If an error code is displayed, go to “Symptom-to-FRU index” on page 35 for error code descriptions and troubleshooting hints.
 2. Insert the disc into the optical drive.
 3. Restart the computer.
 4. When the ThinkPad logo is displayed, repeatedly press and release the F12 key. When the Boot Menu window opens, release the F12 key.
 5. Use the arrow keys to select **ATAPI CDx** (x: 0, 1, ...) and then press Enter. The diagnostic program launches.
 6. Follow the instructions on the screen to use the diagnostic program.

Power system checkout

To verify if a battery pack or an ac power adapter is functional, do the following:

1. Turn off the computer.
2. Connect the ac power adapter.
3. Turn on the computer. If the computer can be turned on, it means that either the battery or the ac power adapter is functional.
4. Insert a straightened paper clip into the emergency-reset hole to reset the computer. If the computer is still powered on, it means that the ac power adapter is functional.
5. Turn off the computer.
6. Disconnect the ac power adapter and turn on the computer. If the computer can be turned on, it means that the battery is functional.

If you suspect a power problem, see the appropriate one of the following power supply checkouts:

- “Checking the ac power adapter” on page 29

- “Checking operational charging” on page 29
- “Checking the battery pack” on page 29
- “Checking the coin-cell battery” on page 30

Checking the ac power adapter

You are here because the computer fails only when the ac power adapter is used.

- If the power problem occurs only when the docking station or the port replicator is used, replace the docking station or the port replicator.
- If the system status indicator does not blink three times when an ac power source is connected, check the power cord of the ac power adapter for correct continuity and installation.
- If the computer does not charge during operation, go to “Checking operational charging” on page 29.

Note: Noise from the ac power adapter does not always indicate a defect.

Checking the USB-C type ac power adapter

To check the USB-C type ac power adapter, do the following:

1. Connect the computer to a power outlet and turn on the computer.
2. Start Lenovo Vantage program, and then click **Hardware Settings** → **Power**. The ac power adapter information is displayed.

Ensure that you use the USB-C type ac power adapter that is shipped with the computer to provide enough power to the computer. Otherwise, a message will be displayed, prompting you that the computer will not be charged or will be charged slowly.

Checking operational charging

To check whether the battery pack charges correctly during operation, do the following:

1. Discharge the battery pack until the remaining battery power is less than 50%.
2. Connect the computer to ac power to charge the battery pack. If the battery status icon in the Windows notification area indicates that the batteries are not charging, remove the battery pack and let them return to room temperature.
3. Reinstall the battery pack. If the batteries are still not charging, replace the battery pack.
4. Check the battery status icon again. If the same error still exists, replace the system board. Otherwise, check the original battery pack. See “Checking the battery pack” on page 29.

Checking the battery pack

This system supports only batteries specially designed for this specific system and manufactured by Lenovo or an authorized builder. The system does not support unauthorized batteries or batteries designed for other systems. If an unauthorized battery pack or a battery pack designed for another systems is installed, the system will not charge.

Attention: Lenovo has no responsibility for the performance or safety of unauthorized batteries, and provides no warranties for failures or damage arising out of their use.

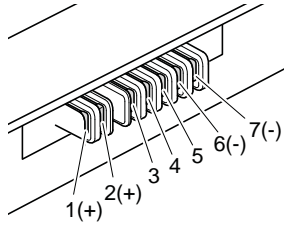
The battery status icon in the Windows notification area displays the percentage of battery power remaining.

Move your pointer to the battery-status icon in the Windows notification area to check the battery status. The battery-status icon displays the percentage of battery power remaining and how long you can use your computer before you must charge the battery.

Note: If the battery pack becomes hot, it may not be able to charge. Remove it from the computer and leave it at room temperature for a while. After it cools down, reinstall and recharge it.

To check the battery pack, do the following:

1. Power off the computer.
2. Remove the battery pack and measure the voltage between battery terminals 1 (+) and 7 (-). See the following figure:



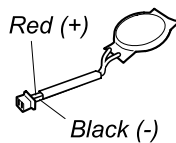
Terminal	Voltage (V dc)
1, 2	+ 0 to + 12.6
6, 7	Ground (-)

3. If the voltage is less than +11.0 V dc, the battery pack has been discharged.
If the voltage is still less than +11.0 V dc after recharging, replace the battery pack.
4. If the voltage is more than +11.0 V dc, measure the resistance between battery terminals 5 and 7. The resistance must be 4 to 30 K Ω . If the resistance is not correct, replace the battery pack. If the resistance is correct, replace the system board.

Checking the coin-cell battery

Do the following:

1. Power off the computer, and unplug the ac power adapter from it.
2. Turn the computer upside down.
3. Remove the battery pack (see “1090 Battery” on page 75).
4. Remove the coin-cell battery (see “1070 Coin-cell battery” on page 73).
5. Measure the voltage of the battery. See the following figure.



Wire	Voltage (V dc)
Red	+2.5 to +3.2
Black	Ground

- If the voltage is correct, replace the system board.
- If the voltage is not correct, replace the coin-cell battery.
- If the coin-cell battery discharges quickly after replacement, replace the system board.

Chapter 4. Related service information

This chapter presents following information:

- “Recovery overview for the Windows 10 operating system” on page 31
- “Passwords” on page 32
- “Power management” on page 34
- “Symptom-to-FRU index” on page 35

Service Web site:

When the latest maintenance diskette and the system program service diskette become available, they will be posted on:

<https://support.lenovo.com>

Recovery overview for the Windows 10 operating system

The Windows recovery programs enable you to reset your computer or use advanced startup options.

It is recommended that you create a recovery USB drive as early as possible. Store the recovery USB drive as a backup or replacement for the Windows recovery programs.

For more information, see “Creating and using a recovery USB drive” on page 32.

Resetting your computer

If your computer does not perform well, you might consider resetting your computer. In the resetting process, you can choose to keep your files or remove them, and then reinstall the Windows operating system.

To reset your computer, do the following:

Note: The graphical user interface (GUI) items of the operating system might change without notice.

1. Open the Start menu and then click **Settings → Update & Security → Recovery**.
2. In the **Reset this PC** section, click **Get started**.
3. Follow the instructions on the screen to reset your computer.

Using advanced startup options

With advanced startup options, you can change the firmware settings of the computer, change the startup settings of the Windows operating system, start the computer from an external device, or restore the Windows operating system from a system image.

To use advanced startup options, do the following:

Note: The GUI items of the operating system might change without notice.

1. Open the Start menu and then click **Settings → Update & Security → Recovery**.
2. In the **Advanced startup** section, click **Restart now → Troubleshoot → Advanced options**.
3. Select a desired startup option, then follow the instructions on the screen.

Recovering your operating system if Windows 10 fails to start

The Windows recovery environment on your computer is capable of operating independently from the Windows 10 operating system. This enables you to recover or repair the operating system even if the Windows 10 operating system fails to start.

After two consecutive failed boot attempts, the Windows recovery environment starts automatically. Then you can choose repair and recovery options by following the instructions on the screen.

Note: Ensure that your computer is connected to ac power during the recovery process.

Creating and using a recovery USB drive

You can create a recovery USB drive as a backup for the Windows recovery programs. With the recovery USB drive, you can troubleshoot and fix the problems even if the preinstalled Windows recovery programs are damaged.

Creating a recovery USB drive

The USB drive that you use to create the recovery USB drive must be at least 16 GB of storage. The actual USB capacity that is required depends on the size of the recovery image.

Attention: The creation process deletes anything stored on the USB drive. To avoid data loss, make a backup copy of all the data that you want to keep.

To create a recovery USB drive, do the following:

Note: Ensure that your computer is connected to ac power during the following process.

1. Connect a proper USB drive (at least 16 GB of storage).
2. Type **recovery** in the search box on the taskbar. Then click **Create a recovery drive**.
3. Click **Yes** in the User Account Control window to allow the Recovery Media Creator program to start.
4. In the Recovery Drive window, follow the on-screen instructions to create a recovery USB drive.

Using the recovery USB drive

If you cannot start your computer, use the recovery USB drive to recover your computer.

To use a recovery USB drive, do the following:

Note: Ensure that your computer is connected to ac power.

1. Connect the recovery USB drive to the computer.
2. Turn on or restart the computer. Before the Windows operating system starts, repeatedly press the F12 key. The Boot Menu window opens.
3. Select the recovery USB drive as the boot device.
4. Select a preferred keyboard layout.
5. Click **Troubleshoot** to display the optional recovery solutions.
6. Select a corresponding recovery solution according to your situation. Then follow the instructions on the screen to complete the process.

Passwords

As many as three passwords might be needed for a ThinkPad notebook computer: the power-on password, the hard disk password, and the supervisor password.

If any of these passwords has been set, a prompt for it will be displayed on the screen whenever the computer is turned on. The computer does not start until the password is entered.

Note: If only a supervisor password is set, the password prompt will not be displayed when the operating system is started.

Power-on password

A power-on password protects the system from being turned on by an unauthorized person. The password must be entered before the operating system can be started. For instructions on how to remove the power-on password, see “How to remove the power-on password” on page 33.

Hard disk password

There are two hard disk passwords:

- User hard disk password - for the user
- Master hard disk password - for the system administrator, who can use it to get access to the hard disk even if the user has changed the user hard disk password.

Note: There are two modes for the hard disk password: **User only** and **Master + User**. The **Master + User** mode requires two hard disk passwords; the system administrator enters both in the same operation. The system administrator then provides the user hard disk password to the system user.

Attention: If the user hard disk password has been forgotten, check whether a master hard disk password has been set. If a master hard disk password has been set, it can be used to access the hard disk drive. If no master hard disk password is available, neither Lenovo nor Lenovo authorized service technicians provide any services to reset either the user hard disk password or the master hard disk password, or to recover data from the hard disk drive. The hard disk drive can be replaced for a scheduled fee.

For instructions on how to remove the hard disk password, see “How to remove the hard disk password” on page 34.

Supervisor password

The supervisor password protects the system information stored in the ThinkPad Setup program. It provides the following security features:

- If only a supervisor password is set, a password prompt is displayed when you try to start the ThinkPad Setup program. Unauthorized users cannot change most of the system configuration options in the ThinkPad Setup program without the password.
- The system administrator can use the supervisor password to access a computer even if the user of that computer has set a power-on password. The supervisor password overrides the power-on password.
- The system administrator can set the same supervisor password on many ThinkPad notebook computers to make administration easier.

Attention: If the supervisor password has been forgotten and cannot be made available to the service technician, there is no service procedure to reset the password. The system board must be replaced for a scheduled fee.

How to remove the power-on password

To remove the power-on password, do one of the following:

If no supervisor password has been set, do the following to remove the power-on password:

1. Turn off the computer.

2. Remove the battery pack. For instructions on how to remove the battery pack, see “1090 Battery” on page 75.
3. Remove the coin-cell battery. For instructions on how to remove the coin-cell battery, see “1070 Coin-cell battery” on page 73.
4. Turn on the computer and wait until the POST ends. After the POST ends, the password prompt will not be displayed. The power-on password has been removed.
5. Reinstall the coin-cell battery and the battery pack.

If a supervisor password has been set and is known to the service technician, do the following to remove the power-on password:

1. Turn on the computer.
2. When the ThinkPad logo is displayed, immediately press F1.
3. Type the supervisor password to enter the ThinkPad Setup program.
4. Select **Security**.
5. Select **Password**.
6. Select **Power-On Password**.
7. Type the current supervisor password in the **Enter Current Password** field. Then, leave the **Enter New Password** field blank, and press Enter twice.
8. In the Changes have been saved window, press Enter.
9. Press F10 to save changes and exit the ThinkPad Setup program.

How to remove the hard disk password

Attention: If **User only** mode is selected and the user hard disk password has been forgotten and cannot be made available to the service technician, neither Lenovo nor Lenovo authorized service technicians provide any services to reset the user hard disk password, or to recover data from the hard disk drive. The hard disk drive can be replaced for a scheduled fee. To put the system back to operational status, the only Lenovo and Lenovo-authorized service solution would be to replace the hard disk drive or solid-state drive with a scheduled fee.

To remove a user hard disk password that has been forgotten, when the supervisor password and the master hard disk password are known, do the following:

1. Turn on the computer.
2. When the ThinkPad logo is displayed, immediately press F1 to enter the ThinkPad Setup program.
3. Select **Security**.
4. Select **Password**.
5. Select **Hard-disk x password** where *x* is the letter of the hard disk drive. A pop-up window opens.
6. Select **Master HDP**, where HDP stands for hard disk password.
7. Type the current master hard disk password in the **Enter Current Password** field. Then, leave the **Enter New Password** field blank, and press Enter twice.
8. Press F10 to save changes and exit the ThinkPad Setup program. The user hard disk password and the master hard disk password have been removed.

Power management

To reduce power consumption, the computer has two power management modes: sleep and hibernation.

Sleep mode

When the computer enters sleep mode, the following events occur:

- The LCD is powered off.
- The hard disk drive or solid-state drive is powered off.
- The microprocessor stops.

To put your computer into sleep mode, do the following:

- Open the Start menu, click  **Power**, and then click **Sleep**.

In certain circumstances, the computer goes into sleep mode automatically:

- After a period of inactivity specified in power plan settings
- When the battery power is low

To cause the computer to return from sleep mode and resume operation, do one of the following:

- Press any key.
- Open the LCD cover.
- Turn on the power button.

Also, in either of the following events, the computer automatically returns from sleep mode and resumes operation:

- The ring indicator (RI) is signaled by a serial device or a PC Card device.
- The time set on the resume timer elapses.

Note: The computer does not accept any input immediately after it enters sleep mode. Wait a few seconds before taking any action to reenter operation mode.

Hibernation mode

In hibernation mode, the following occurs:

- The system status, RAM, VRAM, and setup data are stored on the hard disk drive or solid-state drive.
- The system is powered off.

Note: If the computer enters the hibernation mode while it is connected to the dock, do not disconnect it before resuming normal operation. If you do disconnect it and then try to resume normal operation, you will get an error message, and you will have to restart the system.

If you have defined one of the following actions as the event that causes the system to go into hibernation mode, perform that action.

- Closing the lid.
- Pressing the power button.

Also, the computer goes into hibernation mode automatically after a period of inactivity specified in power plan settings

When the power is turned on, the computer returns from hibernation mode and resumes operation. The hibernation file in the boot record on the hard disk drive or solid-state drive is read, and system status is restored from the hard disk drive or solid-state drive.

Symptom-to-FRU index

This section contains following information:

- “Numeric error codes” on page 36
- “Error messages” on page 38
- “No-beep symptoms” on page 39

- “LCD-related symptoms” on page 40
- “Intermittent problems” on page 40
- “Undetermined problems” on page 41

The symptom-to-FRU index in this section lists symptoms and errors and their possible causes. The most likely cause is listed first, in boldface type.

Note: Do the FRU replacement or other actions in the sequence shown in the column headed “FRU or action, in sequence.” If replacing a FRU does not solve the problem, put the original part back in the computer. Do not replace a nondefective FRU.

This index can also help you determine, during regular servicing, what FRUs are likely to need to be replaced next.

A numeric error is displayed for each error detected in POST or system operation. In the displays, **n** can be any number.

If no numeric code is displayed, check the narrative descriptions of symptoms. If the symptom is not described there, go to “Intermittent problems” on page 40.

Note: For a device not supported by diagnostic codes in the ThinkPad notebooks, see the manual for that device.

Numeric error codes

Table 2. Numeric error codes

Symptom or error (beeps, if any)	FRU or action, in sequence
0177 Bad SVP data, stop POST task – The checksum of the supervisor password in the EEPROM is not correct.	Replace the system board.
0183 Bad CRC of Security Settings in EFI Variable. Enter the ThinkPad Setup program. – The checksum of the Security settings in the EFI Variable is not correct.	<ol style="list-style-type: none"> 1. Run the ThinkPad Setup program. The settings will be corrected automatically. Then save the current settings by pressing F10. 2. Replace the system board.
0187 EAIA data access error - The access to EEPROM is failed.	Replace the system board.
0188 Invalid RFID Serialization Information Area.	Replace the system board.
0189 Invalid RFID configuration information area - The EEPROM checksum is not correct.	Replace the system board.
0190 Critical low-battery error	<ol style="list-style-type: none"> 1. Charge the battery pack. 2. Replace the battery pack.
0191 System Security - Invalid Remote Change requested.	<ol style="list-style-type: none"> 1. Run the ThinkPad Setup program, and then save current setting by pressing F10. 2. Replace the system board.
0199 System Security - Security password retry count exceeded.	<ol style="list-style-type: none"> 1. Run the ThinkPad Setup program. The retry count will be reset. Then save the current settings by pressing F10. 2. Replace the system board.

Table 2. Numeric error codes (continued)

Symptom or error (beeps, if any)	FRU or action, in sequence
0251 System CMOS checksum bad - Default configuration used.	<ol style="list-style-type: none"> 1. Charge the coin-cell battery for more than 8 hours by connecting the ac power adapter. 2. Replace the coin-cell battery and run the ThinkPad Setup program to reset the time and date.
0253 EFI Variable Block Data was destroyed.	<ol style="list-style-type: none"> 1. Run ThinkPad Setup to reconfigure the settings. 2. Replace the system board.
0271 Real-Time Clock Error. Check Date and Time settings.	<ol style="list-style-type: none"> 1. Run ThinkPad Setup to reset the time and date 2. Replace the coin-cell battery and run the ThinkPad Setup program to reset the time and date.
1802 Unauthorized network card is plugged in - Turn off and remove the network card.	<ol style="list-style-type: none"> 1. Remove the network card. 2. Replace the system board.
1820 More than one external fingerprint reader is attached. Power off and remove all but the reader that you set up within your main operating system.	Remove all but the reader that you set up for the authentication
2000 ThinkVantage Active Protection sensor diagnostics failed.	Have the computer serviced.
2100 Detection error on HDD0 (Main HDD)	<ol style="list-style-type: none"> 1. Reseat the hard disk drive. 2. Replace the main hard disk drive. 3. Replace the system board.
2101 Detection error on HDD1 (Ultrabay HDD)	<ol style="list-style-type: none"> 1. Reseat the hard disk drive. 2. Replace the Ultrabay® hard disk drive. 3. Replace the system board.
2102 Detection error on HDD2 (Mini SATA)	<ol style="list-style-type: none"> 1. Reseat the Mini SATA device. 2. Replace the mini SATA device. 3. Replace the system board.
2110 Read error on HDD0 (Main HDD)	<ol style="list-style-type: none"> 1. Reseat the hard disk drive. 2. Replace the main hard disk drive. 3. Replace the system board.
2111 Read error on HDD1 (Ultrabay HDD)	<ol style="list-style-type: none"> 1. Reseat the hard disk drive. 2. Replace the Ultrabay hard disk drive. 3. Replace the system board.
2112 Read error on HDD2 (Mini SATA)	<ol style="list-style-type: none"> 1. Reseat the Mini SATA device. 2. Replace the mini SATA device. 3. Replace the system board.
2200 Machine Type and Serial Number are invalid.	Replace the system board.
2201 Machine UUID is invalid	Replace the system board.

Error messages

Table 3. Error messages

Symptom or error (beeps, if any)	FRU or action, in sequence
Fan error. (four short beeps, one long beep)	<ol style="list-style-type: none">1. Replace the fan.2. Apply thermal grease.3. Replace the system board.
Thermal sensing error.	Replace the system board.
The battery installed is not supported by this system and will not charge. Please replace the battery with the correct Lenovo battery for this system. Press the ESC key to continue.	Replace the battery.
This system does not support batteries that are not genuine Lenovo-made or authorized. The system will continue to boot, but may not charge unauthorized batteries. Attention: Lenovo has no responsibility for the performance or safety of unauthorized batteries, and provides no warranties for failures or damage arising out of their use.	Replace the battery.

Beep errors

Lenovo SmartBeep technology enables you to decode beep errors with your smartphone when a black screen occurs with beeps from your computer. To decode the beep error with Lenovo SmartBeep technology, do the following:

1. Go to <https://support.lenovo.com/smartbeep> or scan the following QR Code.



2. Download the proper diagnostic app and install it on your smartphone.
3. Run the diagnostic app and place the smartphone near the computer.
4. Press the Fn key on your computer to emit the beep again. The diagnostic app decodes the beep error and shows possible solutions on the smartphone.

The following section describes some beep errors and the corresponding solutions.

Note: Do not attempt to service a product yourself unless instructed to do so by the Customer Support Center or product documentation. Only use a Lenovo-authorized service provider to repair your product.

Error codes	Solutions
0001: Reset error (platform reset not de-asserted)	<ol style="list-style-type: none"> Remove the ac power adapter and the removable battery if your computer has one. Then, reset the computer by doing one of the following: <ul style="list-style-type: none"> For models with the the emergency-reset hole, insert a straightened paper clip into the emergency-reset hole. Wait for one minute. Then, reconnect all power resources and restart the computer. For models without the emergency-reset hole, press and hold the power button for about seven seconds. Then, reconnect to all power resources and restart the computer. Replace the system board (service provider only).
0002: Internal bus error	Replace the system board (service provider only).
0281: General embedded controller error	Replace the system board (service provider only).
0282: Memory module error	<ol style="list-style-type: none"> Reinstall or replace the memory module. Replace the system board (service provider only).
0283: PCI resource error	<ol style="list-style-type: none"> Remove PCIe devices (the M.2 card, PCIe card, and so on) (service provider only). Replace the system board (service provider only).
0284: TCG-compliant functionality-related error (might be the BIOS code validation failure)	Replace the system board (service provider only).
0285: TCG-compliant functionality-related error (might be the TPM initialization failure)	Replace the system board (service provider only).
0286: Integrated graphics error	Replace the system board (service provider only).
0287: Discrete graphics error	<ol style="list-style-type: none"> Reinstall or replace the discrete graphics card (service provider only). Replace the system board (service provider only).
0288: Computer display error	<ol style="list-style-type: none"> Reconnect the display cable on both the system board side and the computer display side (service provider only). Replace the system board (service provider only).

No-beep symptoms

Table 4. No-beep symptoms

Symptom or error	FRU or action, in sequence
No beep, power-on indicator on, LCD blank, and no POST.	<ol style="list-style-type: none"> Ensure that every connector is connected tightly and correctly. Reseat memory module. Replace the system board.
No beep, power-on indicator on, and LCD blank during POST.	<ol style="list-style-type: none"> Reseat memory module.. Replace the system board.

Table 4. No-beep symptoms (continued)

Symptom or error	FRU or action, in sequence
The power-on password prompt appears.	A power-on password or a supervisor password is set. Type the password and press Enter.
The hard-disk password prompt appears.	A hard-disk password is set. Type the password and press Enter.

LCD-related symptoms

Important: The TFT LCD for the notebook computer contains many thin-film transistors (TFTs). The presence of a small number of dots that are missing, discolored, or always lighted is characteristic of TFT LCD technology, but excessive pixel problems can cause viewing concerns.

If the LCD you are servicing has two or less visible defective pixels, it should not be considered faulty. However, if the LCD has three or more visible defective pixels, it will be deemed as defective by Lenovo and it should be replaced.

Notes:

- This policy applies to all ThinkPad Notebooks purchased on 1 January, 2008 or later.
- Lenovo will not provide warranty replacement if the LCD is within specifications because we cannot guarantee that any replacement LCD will have zero pixel defects.
- One pixel consists of R, G, B sub-pixels.

Table 5. LCD-related symptoms

Symptom or error	FRU or action, in sequence
No beep, power-on indicator on, and a blank LCD during POST.	Replace the system board.
<ul style="list-style-type: none"> • LCD backlight not working. • LCD too dark. • LCD brightness cannot be adjusted. • LCD contrast cannot be adjusted. 	<ol style="list-style-type: none"> 1. Reseat the LCD connectors. 2. Replace the LCD assembly. 3. Replace the system board.
<ul style="list-style-type: none"> • LCD screen unreadable. • Characters missing pixels. • Screen abnormal. • Wrong color displayed. 	<ol style="list-style-type: none"> 1. See important note for “LCD-related symptoms.” 2. Reseat all LCD connectors. 3. Replace the LCD assembly. 4. Replace the system board.
Horizontal or vertical lines displayed on LCD.	Replace the LCD assembly.

Intermittent problems

Intermittent system hang problems can be due to a variety of causes that have nothing to do with a hardware defect, such as cosmic radiation, ESD, or software errors. FRU replacement should be considered only when a problem recurs.

When analyzing an intermittent problem, do the following:

1. Run the diagnostic test for the system board in loop mode **at least 10 times**.
2. If no error is detected, do not replace any FRUs.
3. If any error is detected, replace the FRU shown by the FRU code. Rerun the test to verify that no more errors exist.

Undetermined problems

If the diagnostic tests did not identify the device that has failed, if wrong devices are installed, or if the system simply is not operating, follow these procedures to isolate the failing FRU (do not isolate FRUs that have no defects).

Verify that all attached devices are supported by the computer.

Verify that the power supply being used at the time of the failure is operating correctly. (See “Power system checkout” on page 28)

1. Turn off the computer.
2. Visually check each FRU for damage. Replace any damaged FRU.
3. Remove or disconnect all of the following devices:
 - a. Non-ThinkPad devices
 - b. Devices attached to the dock
 - c. Printer, mouse, and other external devices
 - d. Battery pack
 - e. Hard disk drive or solid-state drive
 - f. External diskette drive or optical drive
 - g. Memory module
 - h. Optical disk or diskette in the internal drive
4. Turn on the computer.
5. Determine whether the problem has been solved.
6. If the problem does not recur, reconnect the removed devices one at a time until you find the failing FRU.
7. If the problem remains, replace the following FRUs one at a time (do not replace a nondefective FRU):
 - a. System board
 - b. LCD assembly

Chapter 5. Special keys

The following table describes the functions of function keys and key combinations.

Table 6. Special keys



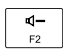





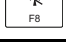

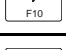
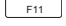

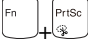
Special key	Description
	<p>Switch the function of the F1–F12 keys between the standard function and special function printed as an icon on each key.</p> <p>When the Fn Lock indicator is on:</p> <ul style="list-style-type: none"> • Press F1-F12 to use the standard function. • Press Fn+F1-F12 to use the special function. <p>When the Fn Lock indicator is off:</p> <ul style="list-style-type: none"> • Press Fn+F1-F12 to use the standard function. • Press F1-F12 to use the special function.
	<p>Mutes or unmutes the speakers.</p> <p>When the key indicator is on, the speakers are muted.</p> <p>If you mute the speakers and turn off your computer, the speakers remain muted when you turn on your computer.</p>
	Decreases the speaker volume.
	Increases the speaker volume.
	Mutes or unmutes the microphones.
	Darkens the display.
	Brightens the display.
	Manage external displays.
	Enables or disables the built-in wireless networking features.
	Open the Settings window.
	Enable or disable the built-in Bluetooth features.
	Open a keyboard setting page.

Table 6. Special keys (continued)

Special key	Description
	<p>Invoke the function defined by yourself. To define or change the action for the F12 key, do the following:</p> <ol style="list-style-type: none"> 1. Open the Start menu and click Lenovo Vantage. 2. Click Hardware Settings and then click input. 3. Locate the Keyboard: User-defined Key section and follow the on-screen instructions to complete the setting. <p>On this setting page, you can also define different functions for the key combinations with F12, such as Shift+F12, Alt+F12, or Ctrl+F12.</p>
	<p>Open the Snipping Tool program.</p>
<p>Fn+Spacebar</p>	<p>If your computer supports keyboard backlight, press Fn+Spacebar to switch between the different keyboard backlight status.</p>
<p>Fn+4</p>	<p>Puts your computer into sleep mode. To return to normal operation, press any key or the power button.</p>
<p>Fn+B</p>	<p>Has the same function as the Break key on a conventional keyboard.</p>
<p>Fn+K</p>	<p>Has the same function as the ScrLK key on a conventional keyboard.</p>
<p>Fn+P</p>	<p>Has the same function as the Pause key on a conventional keyboard.</p>
<p>Fn+S</p>	<p>Has the same function as the SysRq key on a conventional keyboard.</p>
<p>Fn+Left arrow key</p>	<p>This key combination has the same function as the Home key.</p>
<p>Fn+Right arrow key</p>	<p>This key combination has the same function as the End key.</p>

Chapter 6. Locations

This chapter introduces the locations of the hardware components on your computer.

Locating computer controls, connectors, and indicators

This topic introduces the locations of the computer controls, connectors, and indicators.

Front

ThinkPad L390 Yoga™ and ThinkPad S2 Yoga 4th Gen



1 Infrared camera (available on some models)	2 Microphones
3 Front camera	4 Multi-touch screen

ThinkPad L390 and ThinkPad S2 4th Gen



1 Front camera	2 Microphones
3 Multi-touch screen (available on some models)	

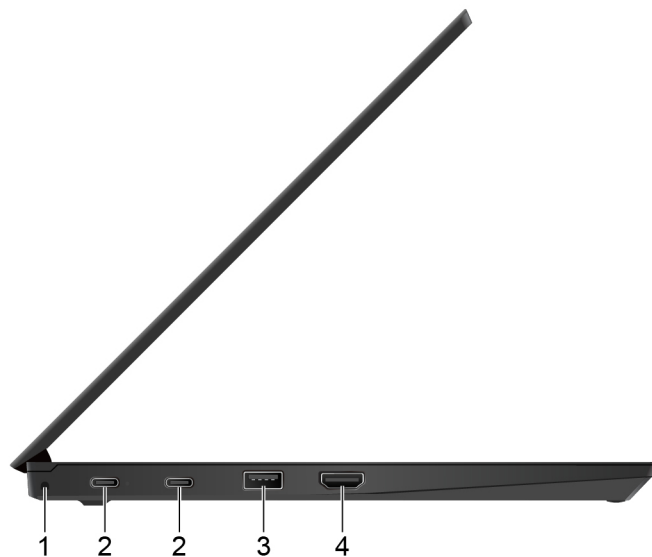
Base



1 Fingerprint reader*	2 Trackpad
3 NFC mark*	4 TrackPoint® pointing device
5 Rear camera*	

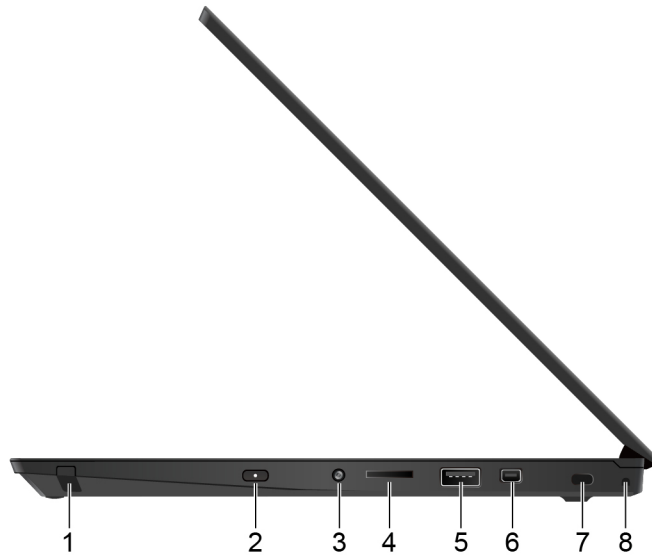
* for selected models

Left-side view



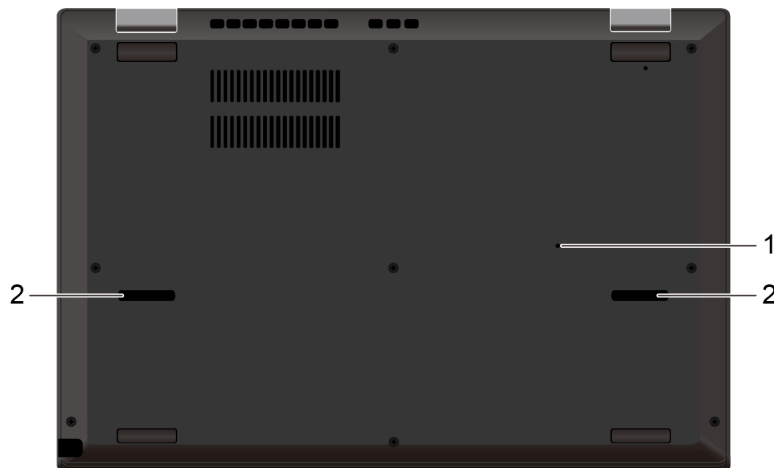
1 Pen tether hole	2 USB-C™ connectors
3 Always On USB 3.1 connector Gen 1	4 HDMI™ connector

Right-side view



1 Pen slot	2 Power button
3 Audio connector	4 microSD card slot
5 USB 3.1 connector Gen 1	6 Mini Ethernet connector
7 Security-lock slot	8 Pen tether hole

Bottom view



1 Emergency-reset hole	2 Speakers
-------------------------------	-------------------

Locating FRUs and CRUs

This topic introduces the following service parts:

- “Major FRUs and CRUs” on page 49
- “LCD FRUs and CRUs” on page 51

Notes:

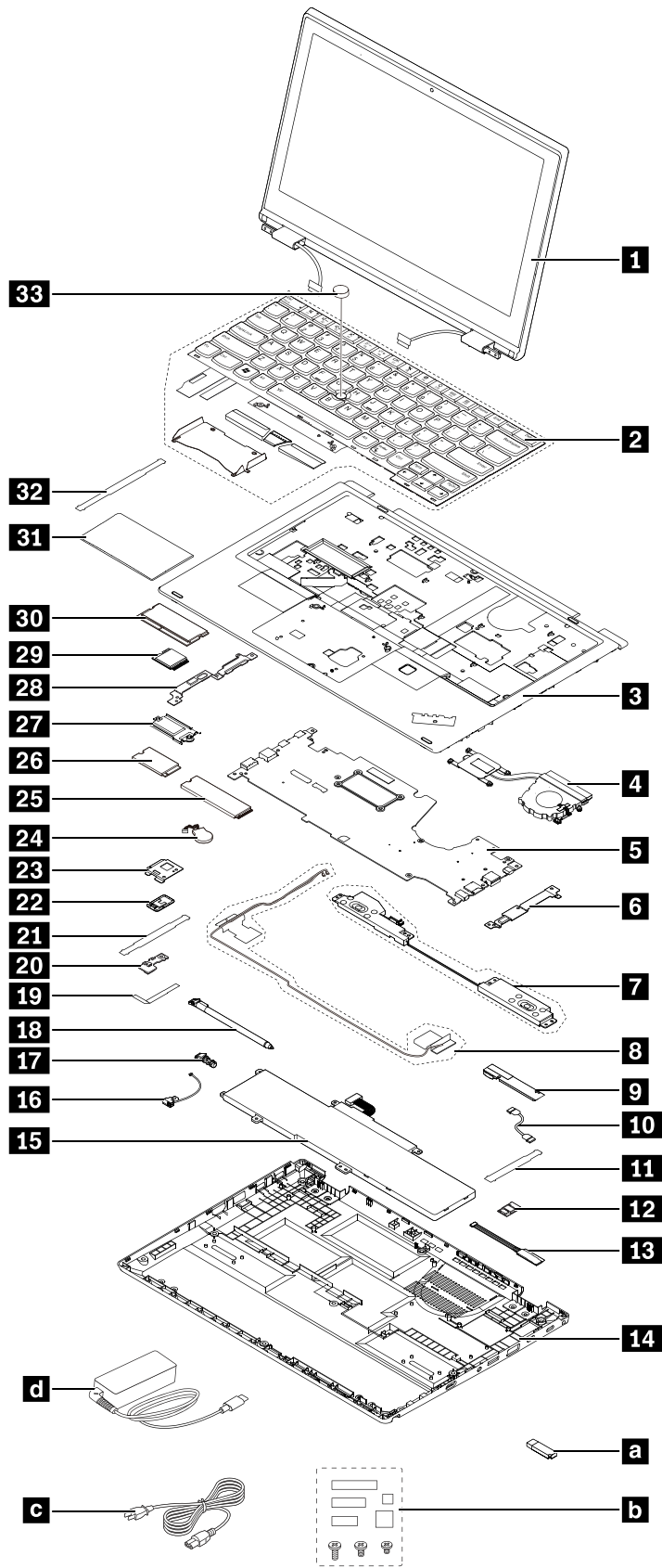
- Each FRU is available for all types or models, unless otherwise specified.
- **CRU statement for customers:**

You can resolve some problems with your product with a replacement part you can install yourself, called a “Customer Replaceable Unit” or “CRU.” Some CRUs are designated as self-service CRUs and others are designated as optional-service CRUs. *Installation of self-service CRUs is your responsibility. For optional-service CRUs, you can either install the CRU yourself or you can request that a Service Provider install the CRU according to the warranty service for your product.* If you intend on installing the CRU, Lenovo will ship the CRU to you. CRU information and replacement instructions are shipped with your product and are available from Lenovo at any time upon request. You can find a list of CRUs for your product in this *Hardware Maintenance Manual*. An electronic version of this manual can be found at <https://support.lenovo.com>. Click **Documentation** and then follow the on-screen instructions to find the manual for your product. You might be required to return the defective CRU. When return is required: (1) return instructions, a prepaid shipping label, and a container will be included with the replacement CRU; and (2) you might be charged for the replacement CRU if Lenovo does not receive the defective CRU within thirty (30) days of your receipt of the replacement CRU. See your Lenovo Limited Warranty documentation for full details.

ThinkPad computers contain the following types of CRUs and FRUs:

- **Self-service CRUs:** Refer to parts that can be installed or replaced easily by customer themselves or by trained service technicians at an additional cost.
- **Optional-service CRUs:** Refer to parts that can be installed or replaced by customers with a greater skill level. Trained service technicians can also provide service to install or replace the parts under the type of warranty designated for the customer’s machine.
- **FRU:** Refer to parts that must be installed or replaced only by trained service technicians. If customers choose to replace the FRUs by themselves, the product warranty might be affected.

Major FRUs and CRUs



Note: Depending on the computer model, your computer might look different from the illustration above.

Table 7. Major FRUs and CRUs

No.	FRU description	Self-service CRU	Optional-service CRU
1	LCD unit	No	No
2	Keyboard	No	Yes
3	Keyboard bezel assembly	No	No
4	Thermal fan	No	No
5	System board	No	No
6	USB 3.1 connector bracket	No	No
7	Speaker assembly	No	No
8	Wireless LAN antenna assembly	No	No
9	Rear camera board*	No	No
10	Rear camera board cable*	No	No
11	NFC board cable*	No	No
12	NFC board*	No	No
13	NFC antenna*	No	No
14	Base cover assembly	Yes	No
15	Battery	No	No
16	ThinkPad Pen Pro charger with cable*	No	No
17	ThinkPad Pen Pro holder*	No	No
18	ThinkPad Pen Pro*	No	No
19	Power button board cable	No	No
20	Power button board	No	No
21	Fingerprint reader cable*	No	No
22	Fingerprint reader*	No	No
23	Fingerprint reader bracket*	No	No
24	Coin-cell battery	No	Yes
25	Long M.2 solid-state drive*	No	Yes
26	Short M.2 solid-state drive*	No	Yes
27	M.2 solid-state drive bracket*	No	Yes
28	HDMI connector bracket	No	No
29	Wireless LAN card	No	Yes
30	Memory module	No	Yes
31	Trackpad	No	No
32	Trackpad cable	No	No
33	TrackPoint cap	Yes	No
a	Lenovo factory recovery USB key ¹	No	No

Table 7. Major FRUs and CRUs (continued)

No.	FRU description	Self-service CRU	Optional-service CRU
b	Miscellaneous parts kits	No	No
c	Power cord	Yes	No
d	ac power adapter	Yes	No

Notes:

- * for selected models.
- ¹ The Lenovo factory recovery USB key is used to restore the Microsoft Windows operating system. It might not come with the computer, and a user might order it from <https://pcsupport.lenovo.com/lenovorecovery>, though additional shipping and handling fees might apply.

LCD FRUs and CRUs

For Yoga models

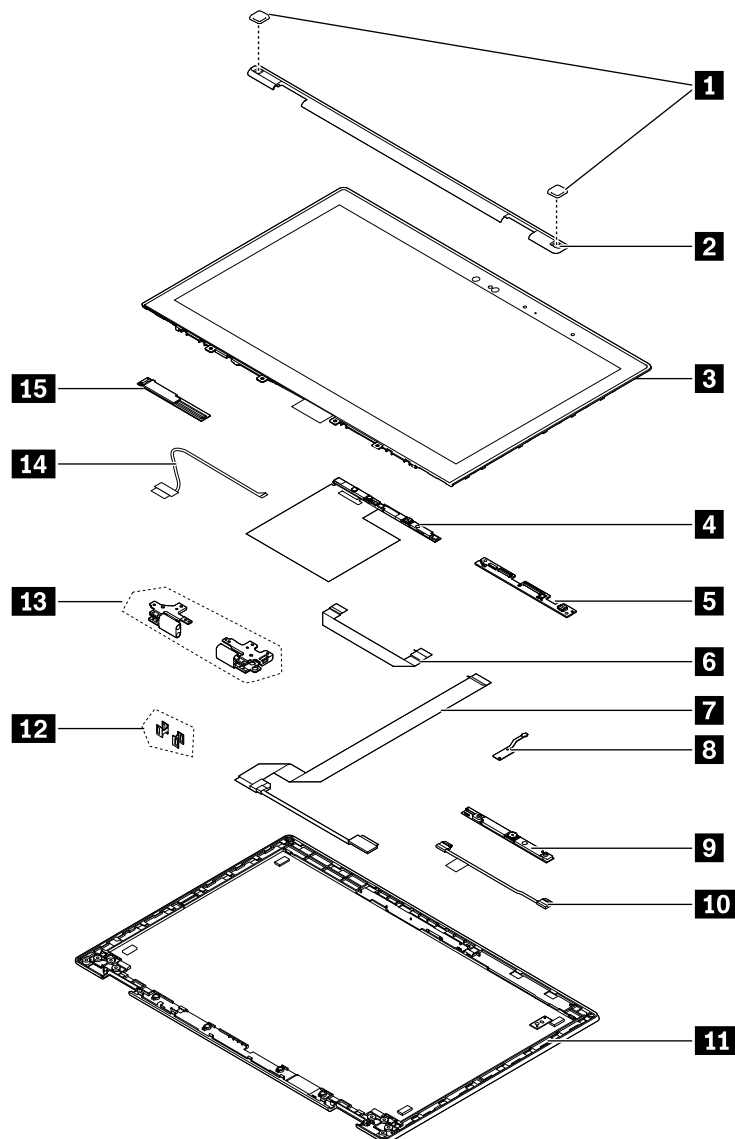


Table 8. LCD FRUs and CRUs

No.	FRU description	Self-service CRU	Optional-service CRU
1	Rubber caps	No	No
2	Strip cover	No	No
3	Touch module assembly	No	No
4	Infrared camera	No	No
5	Sensor board	No	No
6	Infrared camera/microphone module cable	No	No
7	Sensor board cable	No	No
8	ThinkPad-logo-LED card with cable	No	No
9	RGB camera/microphone module	No	No
10	RGB camera/microphone module cable	No	No
11	LCD rear cover assembly	No	No
12	Hinge rubber	No	No
13	LCD hinges	No	No
14	LCD cable	No	No
15	Touch control board	No	No

For non-Yoga models

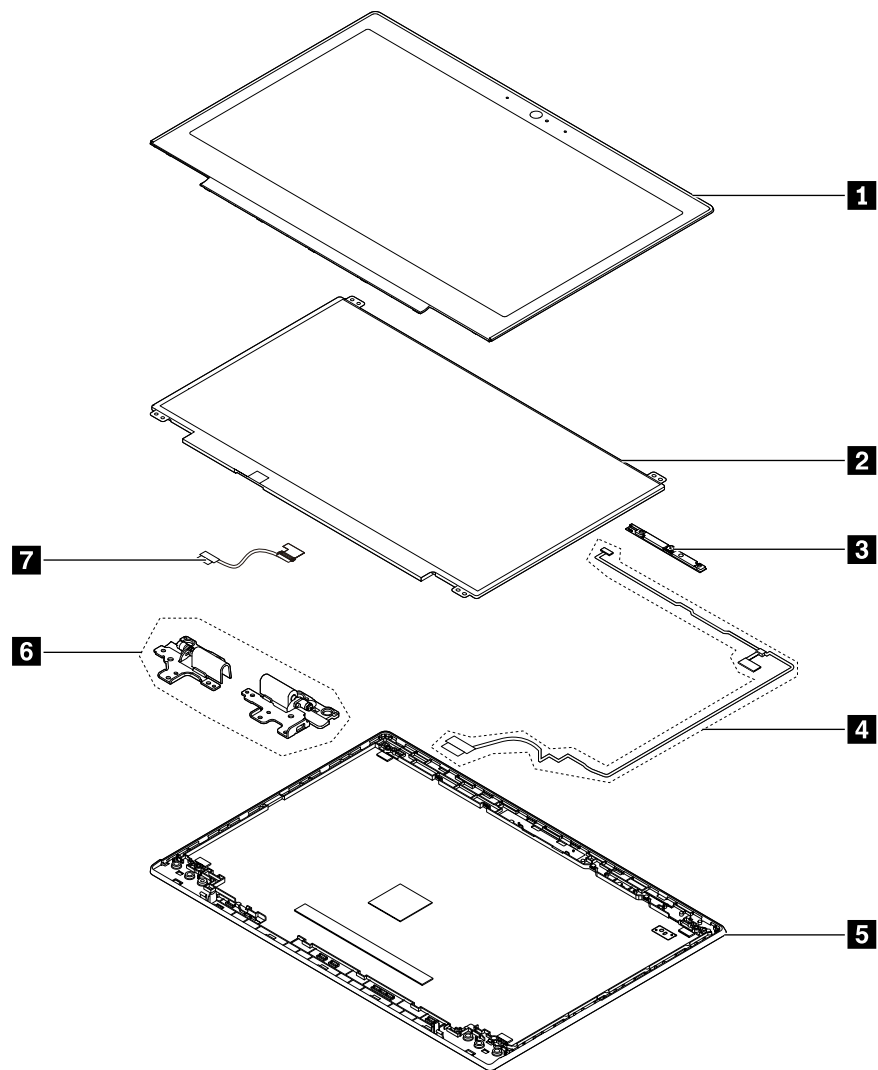


Table 9. LCD FRUs and CRUs

No.	FRU description	Self-service CRU	Optional-service CRU
1	LCD bezel	No	No
2	LCD panel	No	No
3	RGB camera/microphone module	No	No
4	RGB camera/microphone module/ThinkPad-LED card cable	No	No
5	LCD rear cover assembly	No	No
6	LCD hinges	No	No
7	LCD cable	No	No

Miscellaneous parts

Table 10. Miscellaneous part

FRU descriptions	Self-service CRU	Optional-service CRU
Screw kit: <ul style="list-style-type: none"> • Screw M2 x L4, black (15) • Screw M2 x L2.5, black (10) • Screw M2 x L2, black (2) • Screw M2 x L2, silver (4) • Screw M2.5 x L2.5, black (6) • Screw M2 x L3, black (4) • Screw M2.5 x L4.5, silver (6) • Spec 	No	No
Keyboard removal tool	No	No

Connector and cable guide

This topic provides information to help Lenovo authorized service technicians identify connectors and cables for replacement purpose. To view each FRU and the exploded illustration of the computer, see “Major FRUs and CRUs” on page 49 and “LCD FRUs and CRUs” on page 51.

Note: Depending on your computer model, some connectors or cables might not be available.

System board connectors and cables

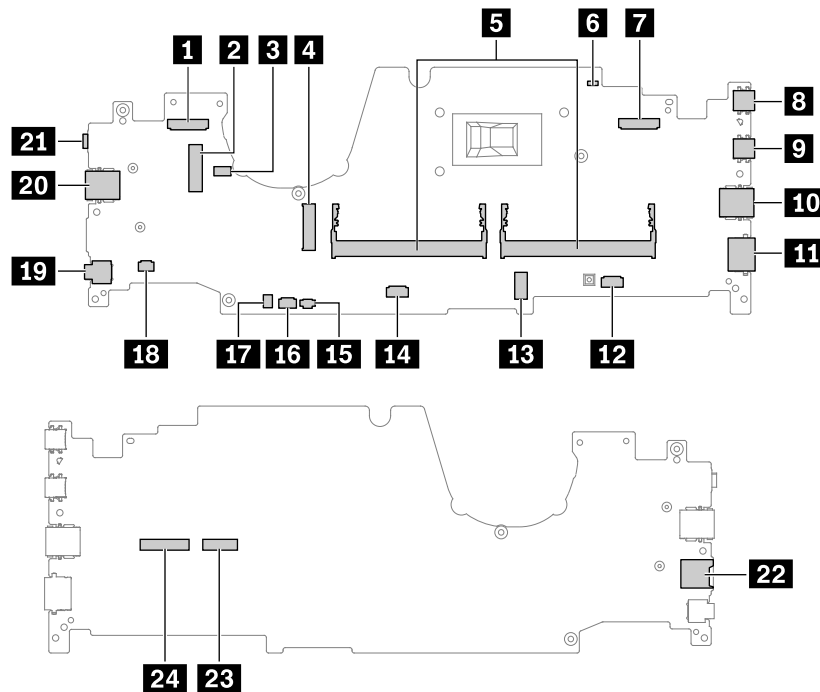


Table 11. System board connector and cable guide

Item	Connector (location)	Internal cable required	Cable connection
1	Sensor board connector	Sensor board connector cable	Connect one end to the sensor board and the other end to this connector.
2	Wireless-LAN card slot (internal)	No	Insert the wireless-LAN card into this slot.
3	Thermal fan connector (internal)	Thermal fan assembly cable	The thermal fan assembly comes with cable. Connect the cable to this connector.
4	M.2 solid-state drive connector (internal)	No	Insert the M.2 solid-state drive into this slot.
5	Memory module slots (internal)	No	Insert the memory module into this slot.
6	Rear camera board connector (internal)	Rear camera board cable	Connect one end to the rear camera board connector on the rear camera board and the other end to this connector.
7	LCD connector (internal)	LCD cable	Connect one end to the LCD panel and the other end to this connector.
8 9	USB-C connectors (external)	No	Connect a USB-C compatible device to this connector.
10	Always On USB 3.1 connector Gen 1 (external)	No	Connect USB 3.1-compatible devices to this connector.
11	HDMI connector (external)	No	Connect a compatible digital audio device or video monitor to this connector.
12	NFC board connector (internal)	NFC board cable	Connect one end to this connector and the other end to the NFC board.
13	Battery connector (internal)	No	Connect the battery to this connector.
14	Trackpad connector (internal)	Trackpad cable	Connect one end to the trackpad and the other end to this connector.
15	Coin-cell battery connector (internal)	Coin-cell battery cable	The coin-cell battery comes with cable. Connect the cable to this connector.
16	Fingerprint reader card connector (internal)	Fingerprint reader cable	Connect one end to the fingerprint reader connector on the fingerprint reader card and the other end to this connector.
17	Speaker assembly connector (internal)	Speaker assembly cable	The speaker assembly comes with cable. Connect the cable to this connector.
18	Power button board connector	Power button board cable	Power button board comes with cable. Connect the cable to this connector.

Table 11. System board connector and cable guide (continued)

Item	Connector (location)	Internal cable required	Cable connection
19	Audio connector (external)	No	Connect headphones or a headset with 3.5-mm (0.14-inch) 4-pole plug to this connector.
20	USB 3.1 connector Gen 1	No	Connect USB 3.1-compatible devices to this connector.
21	Mini Ethernet connector	No	Connect your computer to a local network through the mini Ethernet connector on your computer with an Ethernet cable. To attach an Ethernet cable to your computer, you need an Ethernet extension adapter.
22	microSD card connector (internal)	No	Insert the microSD card into this slot.
23	TrackPoint pointing stick connector (internal)	TrackPoint pointing stick cable	The TrackPoint pointing stick comes with cable. Connect the cable to this connector.
24	Keyboard connector (internal)	Keyboard assembly cable	The keyboard assembly comes with cable. Connect the cable to this connector.

Sensor board connector and cable

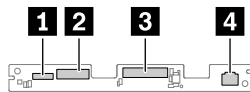


Table 12. Sensor board

Item	Connector (location)	Internal cable required	Cable connection
1	RGB camera connector (internal)	RGB camera cable	Connect one end to the RGB camera and the other end to this connector.
2	Infrared camera connector (internal)	Infrared camera cable	Connect one end to the infrared camera and the other end to this connector.
3	Sensor board connector (internal)	Sensor board cable	Connect one end to the system board and the other end to this connector.
4	ThinkPad-logo-LED card connector (internal)	No	The ThinkPad-logo-LED card comes with cable. Connect the cable to this connector.

Trackpad connector and cable

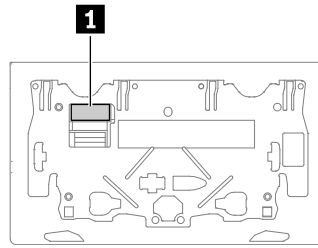


Table 13. Trackpad connector

Item	Connector (location)	Internal cable required	Cable connection
1	Trackpad connector (internal)	Trackpad cable	Connect one end to the trackpad connector on the system board and the other end to this connector.

Power button board connector and cable

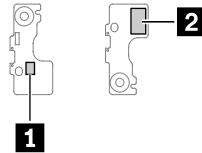


Table 14. Power button board connector

Item	Connector (location)	Internal cable required	Cable connection
1	ThinkPad Pen Pro charger connector (internal)	No	The ThinkPad Pen Pro charger comes with cable. Connect the cable to this connector.
2	Power button board connector (internal)	Power button board cable	Connect one end to the power button board connector on the system board and the other end to this connector.

RGB camera/microphone module connector and cable (for Yoga models only)



Table 15. RGB camera/microphone module connector

Item	Connector (location)	Internal cable required	Cable connection
1	RGB camera/microphone module connector (internal)	RGB camera/microphone module cable	Connect one end to the RGB camera/microphone module connector on the sensor board and the other end to this connector.

RGB camera/microphone module connector and cable (for non-Yoga models only)



Table 16. RGB camera/microphone module connector

Item	Connector (location)	Internal cable required	Cable connection
1	RGB camera/microphone module connector (internal)	RGB camera/microphone module cable	Connect one end to the RGB camera/microphone module connector on the system board and the other end to this connector.

Rear camera board connector and cable (for Yoga models only)



Table 17. Rear camera board connector

Item	Connector (location)	Internal cable required	Cable connection
1	Rear camera board connector (internal)	Rear camera board cable	Connect one end to the rear camera board connector on the system board and the other end to this connector.

Infrared camera board connector and cable (for Yoga models only)

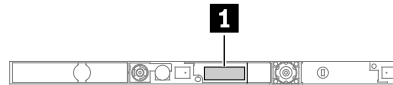


Table 18. Infrared camera board connector

Item	Connector (location)	Internal cable required	Cable connection
1	Infrared camera board connector (internal)	Infrared camera board cable	Connect one end to the infrared camera board connector on the sensor board and the other end to this connector.

Fingerprint reader card connector and cable

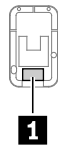


Table 19. Fingerprint reader card

Item	Connector (location)	Internal cable required	Cable connection
1	Fingerprint reader card connector (internal)	Fingerprint reader cable	Connect one end to the fingerprint reader connector on the system board and the other end to this connector.

LCD panel connector (for non-Yoga models only)

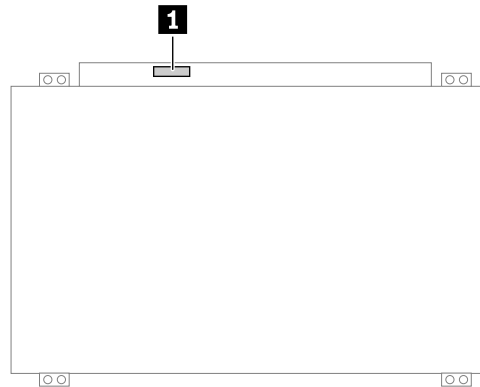


Table 20. LCD panel

Item	Connector (location)	Internal cable required	Cable connection
1	LCD panel connector (internal)	LCD cable	Connect one end to the LCD connector on the system board and the other end to this connector.

Touch module assembly connector (for Yoga models only)

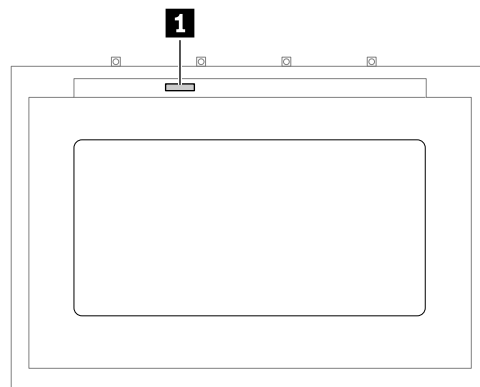


Table 21. Touch module assembly

Item	Connector (location)	Internal cable required	Cable connection
1	Touch module assembly connector	LCD cable	Connect one end to the LCD connector on the system board and the other end to this connector.

Wireless-LAN card connectors and cables

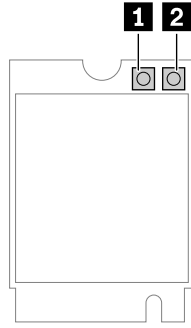


Table 22. Wireless-LAN card

Item	Connector (location)	Internal cable required	Cable connection
1	Wireless-LAN antenna connector (internal)	Wireless-LAN antenna kit	Connect one end of the wireless-LAN gray antenna to the C-cover and the other end to this connector.
2	Wireless-LAN antenna connector (internal)	Wireless-LAN antenna kit	Connect one end of the wireless-LAN black antenna to the C-cover and the other end to this connector.

NFC board connectors and cables

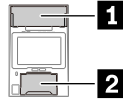


Table 23. NFC board

Item	Connector (location)	Internal cable required	Cable connection
1	NFC board connector (internal)	NFC cable	Connect one end of the NFC cable to the system board and the other end to this connector.
2	NFC antenna connector (internal)	NFC antenna	The NFC antenna comes with cable. Connect the cable to this connector.

Looking up FRU information

For detailed FRU information, including part numbers, descriptions, and substitution part numbers, go to: <https://support.lenovo.com/partslookup>

Chapter 7. FRU replacement notices

This chapter presents notices related to removing and replacing parts. Read this chapter carefully before replacing any FRU.

CRU statement for customers:

You can resolve some problems with your product with a replacement part you can install yourself, called a “Customer Replaceable Unit” or “CRU.” Some CRUs are designated as self-service CRUs and others are designated as optional-service CRUs. *Installation of self-service CRUs is your responsibility. For optional-service CRUs, you can either install the CRU yourself or you can request that a Service Provider install the CRU according to the warranty service for your product.* If you intend on installing the CRU, Lenovo will ship the CRU to you. CRU information and replacement instructions are shipped with your product and are available from Lenovo at any time upon request. You can find a list of CRUs for your product in this *Hardware Maintenance Manual*. An electronic version of this manual can be found at <https://support.lenovo.com>. Click **Documentation** and then follow the on-screen instructions to find the manual for your product. You might be required to return the defective CRU. When return is required: (1) return instructions, a prepaid shipping label, and a container will be included with the replacement CRU; and (2) you might be charged for the replacement CRU if Lenovo does not receive the defective CRU within thirty (30) days of your receipt of the replacement CRU. See your Lenovo Limited Warranty documentation for full details.

This chapter presents notices related to removing and replacing parts. Read this chapter carefully before replacing any FRU.

Service tool kit

Ensure that the following common service tool kit is prepared before you service a ThinkPad notebook computer.

No.	Tool name	Tool type
1	Phillips-head screwdriver	Common tool
2	Torx-head screwdriver	Common tool
3	Conductive tweezers	Common tool
5	Hexagonal socket	Consumable tool
6	Silicone grease	Consumable tool
7	Polyamide tape	Consumable tool
8	Mylar tape	Consumable tool
9	Eraser	Consumable tool
10	Electrical tape	Consumable tool
11	Double-sided tape	Consumable tool
12	Conductive tape	Consumable tool

Note: The silicone grease can be applied to the surfaces of the microprocessor and heatsink to eliminate air gaps. The hexagonal socket is used to pick up the antenna connectors.

Screw notices

Loose screws can cause a reliability problem. In the ThinkPad notebook computer, this problem is addressed with special nylon-coated screws that have the following characteristics:

- They maintain tight connections.
- They do not easily come loose, even with shock or vibration.
- They are harder to tighten.

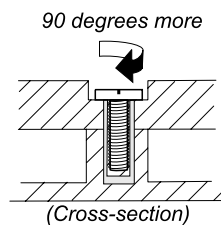
Do the following when you service the computer:

- Keep the screw kit in your tool bag. For the part number of the screw kit, go to: <https://support.lenovo.com/partslookup>
- It is recommended to use new screws.
- It is recommended to use each screw only once.

Tighten screws as follows:

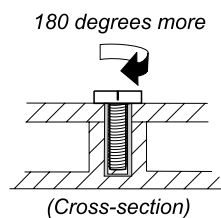
- **Plastic to plastic**

Turn an additional angle of 90 degrees after the screw head touches the surface of the plastic part.



- **Logic card to plastic**

Turn an additional angle of 180 degrees after the screw head touches the surface of the logic card.



Notes:

- Ensure that you use the correct screw. It is recommended to use new screws for replacements. If you have a torque screwdriver, tighten all screws firmly to the torque specified in the screw information table for each step.
- Ensure torque screwdrivers are calibrated correctly following country specifications.

Retaining serial numbers

This topic provides instructions on the following:

- “Restoring the serial number of the system unit” on page 63
- “Retaining the UUID” on page 63

Restoring the serial number of the system unit

When the computer was manufactured, the EEPROM on the system board was loaded with the serial numbers of the system and all major components. These numbers need to remain the same throughout the life of the computer.

If you replace the system board, you must restore the serial number of the system unit to its original value.

The serial number of the system unit is written on the label attached to the bottom of the computer.

If you can not find the serial number of the system unit on the bottom of the computer, try the following method to get the number:

Note: Before you perform the operation, ensure that the UEFI/Legacy setting within the **Startup** menu in the ThinkPad Setup program is set to **UEFI Only**.

1. Connect a USB memory key to the computer.
2. Go to <https://www.lenovo.com/maintenanceutilities> and follow the instructions on the screen to create a Maintenance key.

Note: Only an authorized Lenovo service technician can access the above Web site.

3. Restart the computer.
4. When the logo is displayed, press Esc. The ThinkPad Config Information Update Utility interface is displayed.
5. Type 1 under **Enter the action desired**, then press Enter. The ThinkPad Serial Number Update Utility for Asset ID screen is displayed.
6. Type 2 under **Enter the action desired**, then press Enter. The serial number of each device in your computer is displayed; the serial number of the system unit is listed as follow:
20- Serial number
7. Record the serial number of the system unit.

After you replace the system board, do the following to restore the serial number of the system unit:

1. Connect the Maintenance key to the computer.
2. When the logo is displayed, press Esc. The ThinkPad Config Information Update Utility interface is displayed.
3. Type 1 under **Enter the action desired**, then press Enter. The ThinkPad Serial Number Update Utility for Asset ID screen is displayed.
4. Type 1 under **Enter the action desired**, then press Enter. Then follow the instructions on the screen to restore the serial number of the system unit.

Retaining the UUID

The Universally Unique Identifier (UUID) is a 128-bit number uniquely assigned to your computer at production and stored in the EEPROM of your system board.

The algorithm that generates the number is designed to provide unique IDs until the year A.D. 3400. No two computers in the world have the same number.

When you replace the system board, perform the following steps to create a new UUID for the system board if the system board does not have a UUID:

Note: Before you perform the operation, ensure that the UEFI/Legacy setting within the **Startup** menu in the ThinkPad Setup program is set to **UEFI Only**.

1. Connect a USB memory key to the computer.

2. Go to <https://www.lenovo.com/maintenanceutilities> and follow the instructions on the screen to create a Maintenance key.

Note: Only an authorized Lenovo service technician can access the above Web site.

3. Restart the computer.
4. When the logo screen is displayed, press Esc. The ThinkPad Config Information Update Utility interface is displayed.
5. Type 2 under **Enter the action desired**, then press Enter. The Auto UUID generation utility interface is displayed.
6. Type y under **Change UUID. OK? [Y/N]**, then press Enter. A new UUID is created and written. If a valid UUID already exists, it is not overwritten.

Chapter 8. Removing or replacing a FRU

This chapter provides instructions on how to remove or replace a FRU.

CRU statement for customers:

You can resolve some problems with your product with a replacement part you can install yourself, called a “Customer Replaceable Unit” or “CRU.” Some CRUs are designated as self-service CRUs and others are designated as optional-service CRUs. *Installation of self-service CRUs is your responsibility. For optional-service CRUs, you can either install the CRU yourself or you can request that a Service Provider install the CRU according to the warranty service for your product.* If you intend on installing the CRU, Lenovo will ship the CRU to you. CRU information and replacement instructions are shipped with your product and are available from Lenovo at any time upon request. You can find a list of CRUs for your product in this *Hardware Maintenance Manual*. An electronic version of this manual can be found at <https://support.lenovo.com>. Click **Documentation** and then follow the on-screen instructions to find the manual for your product. You might be required to return the defective CRU. When return is required: (1) return instructions, a prepaid shipping label, and a container will be included with the replacement CRU; and (2) you might be charged for the replacement CRU if Lenovo does not receive the defective CRU within thirty (30) days of your receipt of the replacement CRU. See your Lenovo Limited Warranty documentation for full details.

General guidelines

When removing or replacing a FRU, be sure to observe the following general guidelines:

1. Do not try to service any computer unless you have been trained and certified. An untrained person runs the risk of damaging parts.
2. Before replacing any FRU, review Chapter 7 “FRU replacement notices” on page 61.
3. Begin by removing any FRUs that have to be removed before replacing the failing FRU. Any such FRUs are listed at the beginning of each FRU replacement procedure. Remove them in the order in which they are listed.
4. Follow the correct sequence in the steps for removing a FRU, as given in the drawings by the numbers in square callouts.
5. When turning a screw, turn it in the direction as given by the arrow in the drawing.
6. When removing a FRU, move it in the direction as given by the arrow in the drawing.
7. To put the new FRU in place, reverse the removal procedure and follow any notes that pertain to replacement. For information about connecting and arranging internal cables, see Chapter 6 “Locations” on page 45.
8. When replacing a FRU, use the correct screws as shown in the replacement procedure.



Before removing any FRU, turn off the computer, unplug all power cords from electrical outlets, remove the battery pack, and then disconnect any interconnecting cables.

Attention:

- After replacing a FRU, do not turn on the computer until you have made sure that all screws, springs, and other small parts are in place and none are loose inside the computer. Verify this by shaking the computer gently and listening for rattling sounds. Metallic parts or metal flakes can cause electrical short circuits.
- The system board is sensitive to, and can be damaged by, ESD. Before touching it, establish personal grounding by touching a ground point with one hand or by using an ESD strap.

Disabling the built-in battery

Before replacing any RU, ensure that you disable Fast Startup first and then disable the built-in battery.

To disable Fast Startup, do the following:

1. Go to Control Panel, and then change the view of Control Panel from Category to Large icons or Small icons.
2. Click **Power Options**, and then click **Choose what the power buttons do** on the left pane.
3. Click **Change settings that are currently unavailable** at the top.
4. If prompted by User Account Control (UAC), click **Yes**.
5. Clear the **Turn on fast startup** check box, and then click **Save changes**.

To disable the built-in battery, do the following:

1. Restart your computer. When the logo screen is displayed, immediately press F1 to enter ThinkPad Setup.
2. Select **Config** → **Power**. The **Power** submenu is displayed.
3. Select **Disable built-in battery** and press Enter.
4. Select **Yes** in the Setup Confirmation window. The built-in battery is disabled and the computer turns off automatically. Wait three to five minutes to let the computer cool.

1010 MicroSD card

Removal steps of the MicroSD card

Your computer has a microSD card reader that supports the following types of cards:

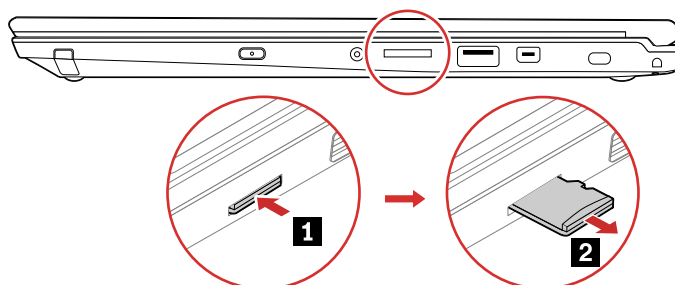
Note: Your computer does not support the content protection for recordable media (CPRM) feature for the SD card.

- Secure Digital (SD) card
- Secure Digital High-Capacity (SDHC) card
- Secure Digital eXtended-Capacity (SDXC) card

Attention: During the data transfer, do not put your computer to sleep or hibernation mode before the data transfer is completed; otherwise, your data could get damaged.

To replace a microSD card, do the following:

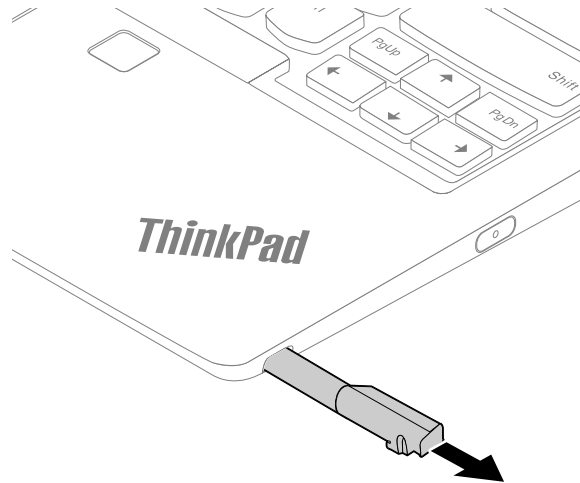
1. Locate the microSD card slot at the right side of the computer.
2. Push the microSD card inward a little bit until you hear a click **1**. Then, release it. The microSD card ejects. Gently slide the card out of the card slot **2**.



1020 ThinkPad Pen Pro

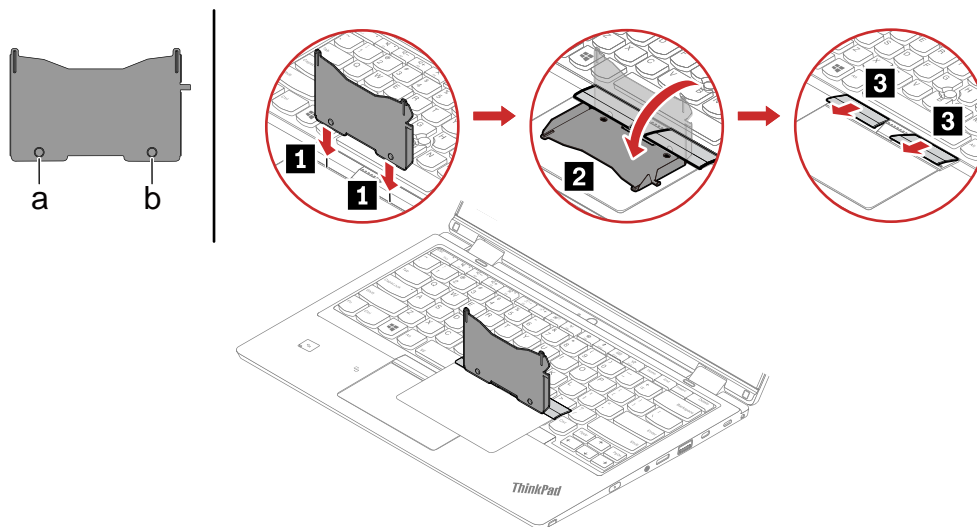
Removal steps of the ThinkPad Pen Pro

The ThinkPad Pen Pro is stored in the slot on the bottom side of the computer. To remove the pen from the slot, slide the tab of the pen a little bit out, and then completely pull out the pen.

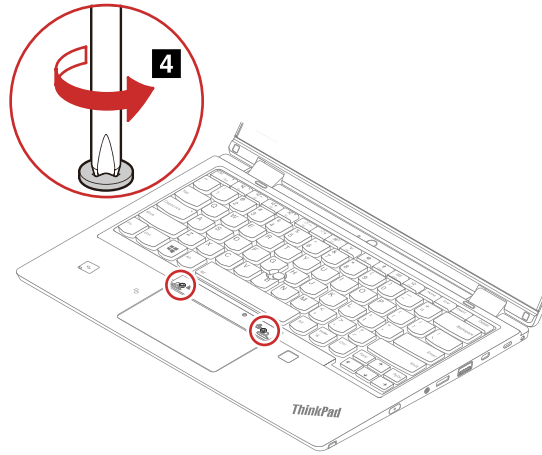


1030 Keyboard

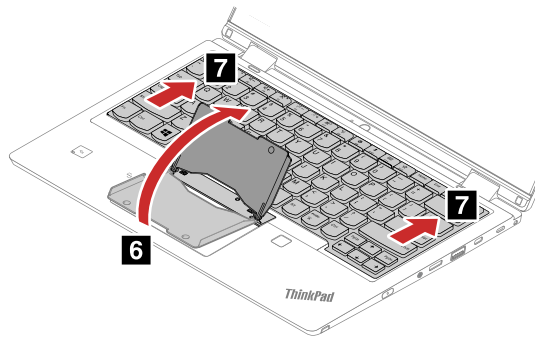
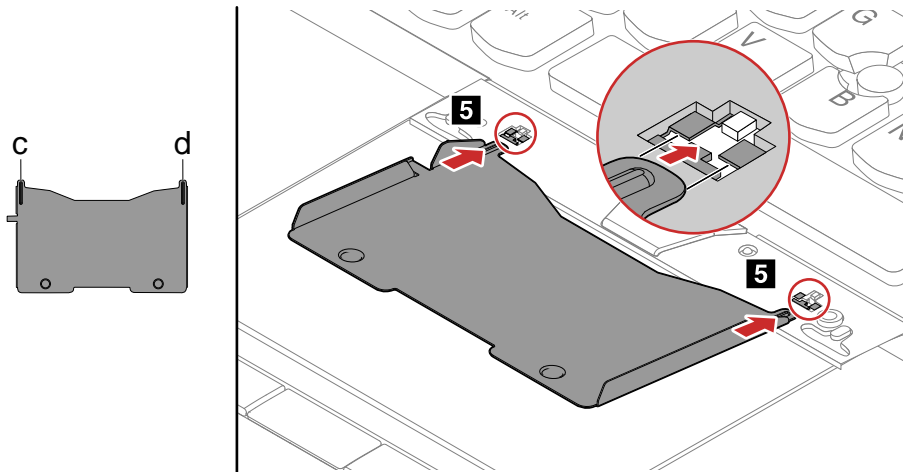
Removal steps of the keyboard

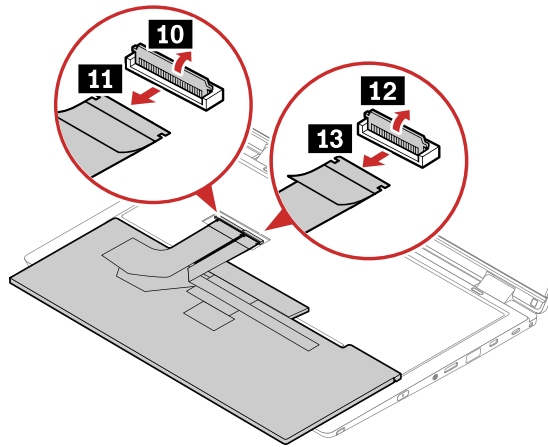
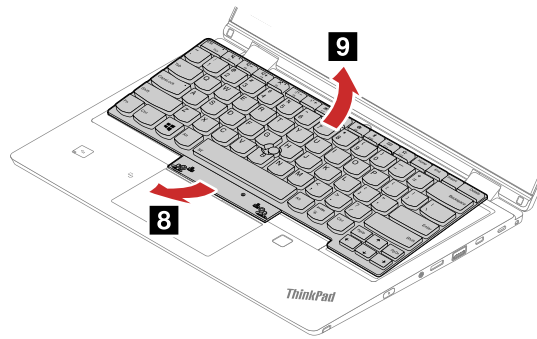


Note: If the keyboard must be removed to access other FRUs, you need the keyboard removal tool (product part number: 01LX856) to remove the keyboard. You can purchase the tool as a separate FRU at: <https://support.lenovo.com/partslookup>.



Step	Screw (quantity)	Color	Torque
4	M2 × 1.65 mm, flat-head, nylon-coated (2)	Silver	0.143 Nm (1.4 kgf-cm)



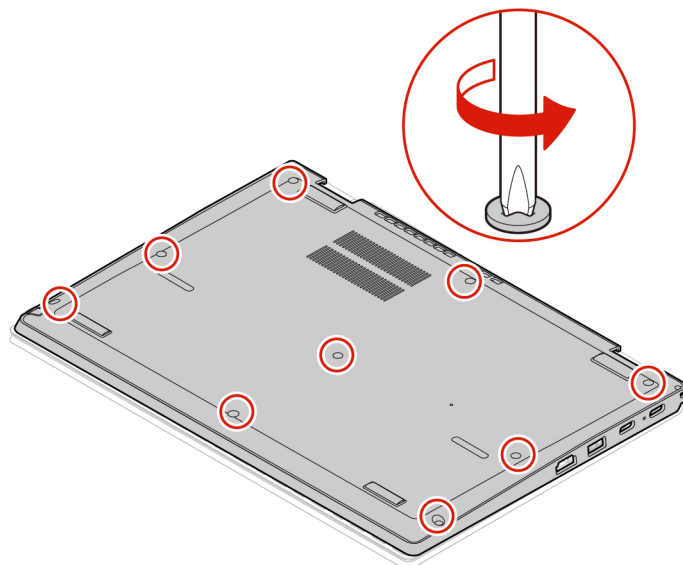


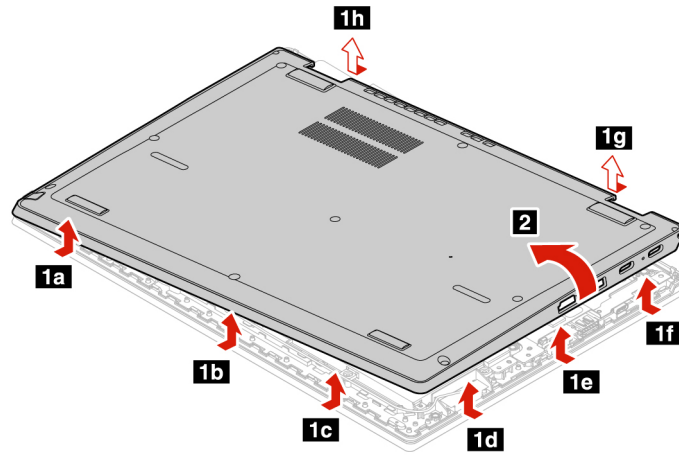
1030 Base cover assembly

For access, remove these FRUs in order:

- “1020 ThinkPad Pen Pro” on page 67

Removal steps of the base cover assembly



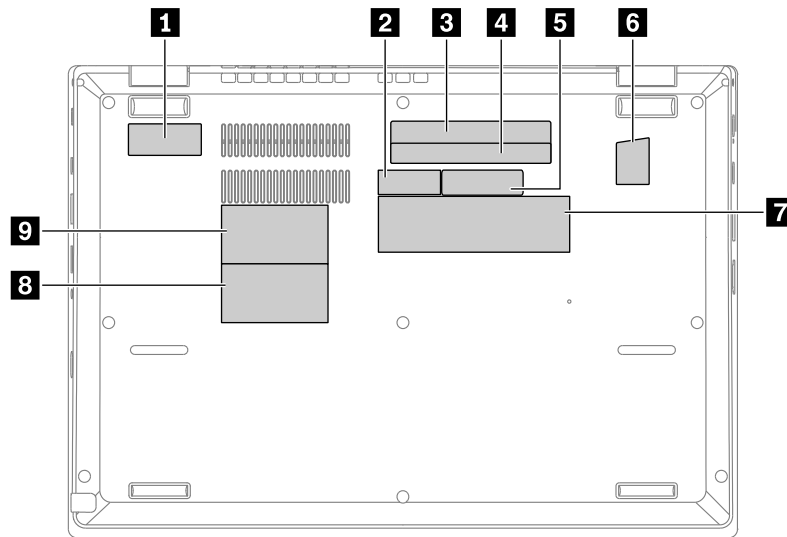


Applying labels to the base cover assembly

Note: Depending on the country or region of delivery, the labels might be slightly different from the ones in the following illustration.

The new base cover FRU is shipped with a kit containing labels of several kinds. Apply those labels when you replace the base cover. For the labels that are not shipped with the new base cover, peel them from the old base cover, and adhere them to the new one.

The following illustration shows the location of each label for Windows 10 based computer models.



When you replace the base cover, apply the Serial number label **2**.

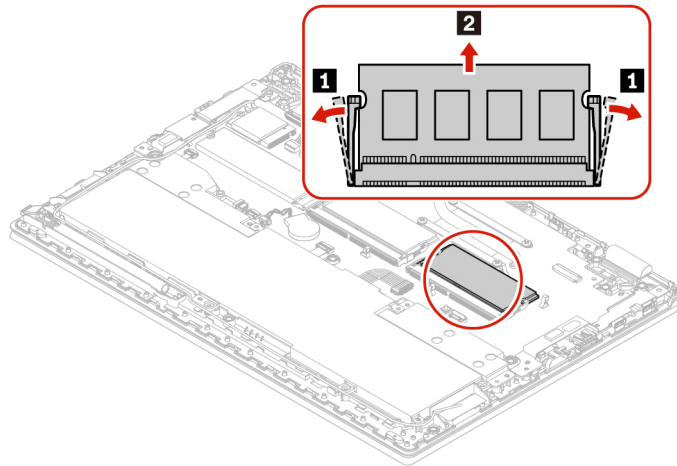
- | | |
|---|-----------------------------------|
| 1 IMEI label | 3 GEO label |
| 4 China GEO label | 5 CECP (China model) label |
| 6 GML label | 7 Country label |
| 8 Asset tag_40Y917Y (available on some models) | 9 Asset tag |

1040 Memory module

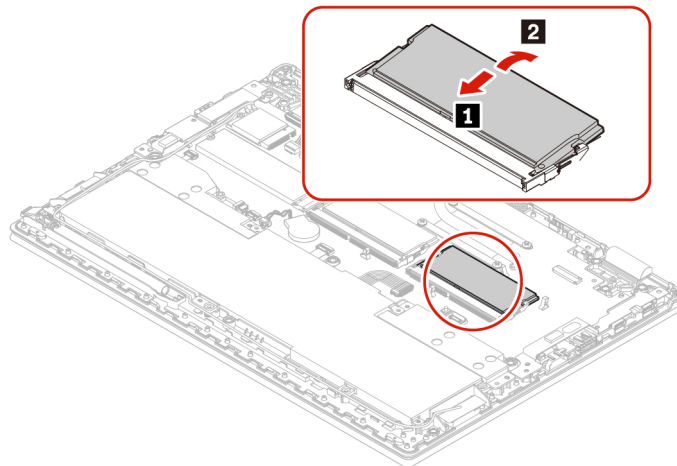
For access, remove these FRUs in order:

- “1020 ThinkPad Pen Pro” on page 67
- “1030 Base cover assembly” on page 69

Removal steps of the memory module



Note: A Mylar film might cover the memory module. To access the memory module, open the film first.



When installing:

Insert the notched end of the memory module into the slot at an angle of about 20 degrees. Press the memory module firmly, and pivot it downwards until it snaps into place. Ensure that the memory module is firmly installed in the slot and does not move easily.

1060 M.2 solid-state drive

For access, remove this FRU:

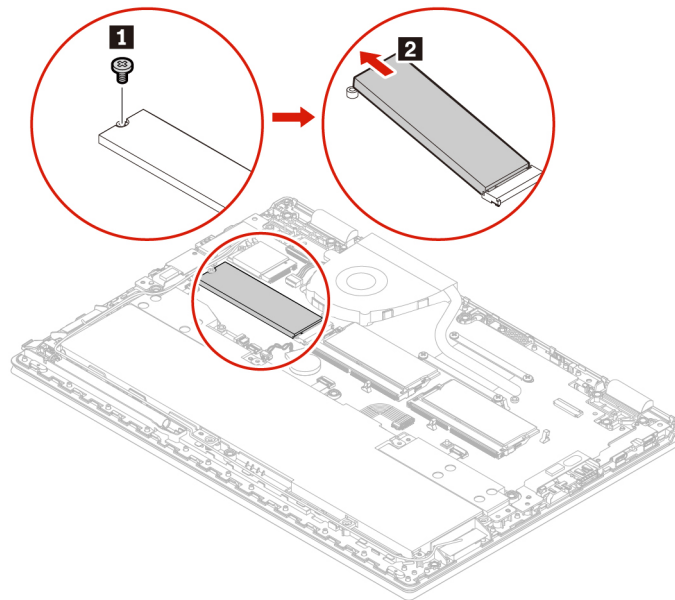
- “1020 ThinkPad Pen Pro” on page 67
- “1030 Base cover assembly” on page 69

Attention: The M.2 solid-state drive is sensitive. Inappropriate handling might cause damage and permanent loss of data.

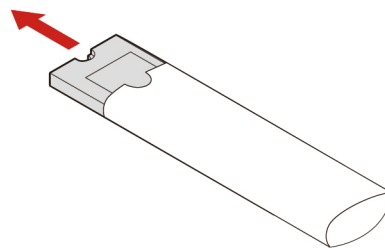
When handling the M.2 solid-state drive, observe the following guidelines:

- Replace the M.2 solid-state drive only for upgrade or repair. The M.2 solid-state drive is not designed for frequent changes or replacement.
- Before replacing the M.2 solid-state drive, make a backup copy of all the data that you want to keep.
- Do not apply pressure to the M.2 solid-state drive.
- Do not touch the contact edge of the M.2 solid-state drive. Otherwise the M.2 solid-state drive might get damaged.
- Do not make the M.2 solid-state drive subject to physical shocks or vibration. Put the M.2 solid-state drive on a soft material, such as cloth, to absorb physical shocks.

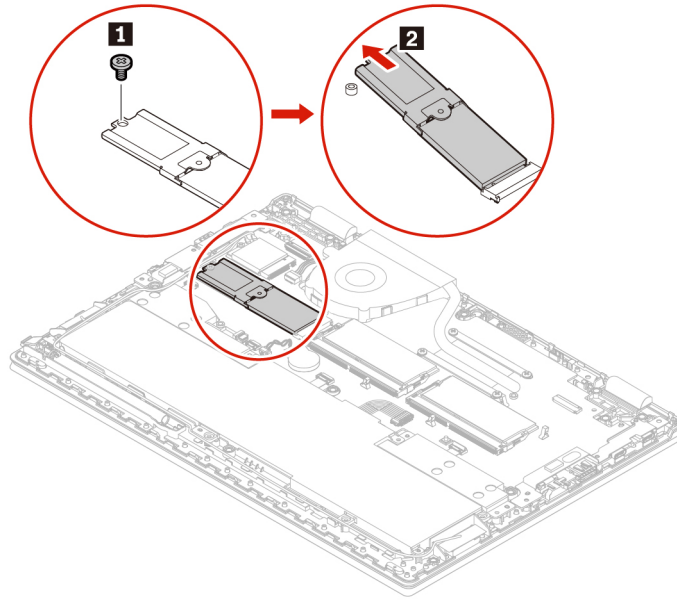
Removal steps of the long M.2 solid-state drive



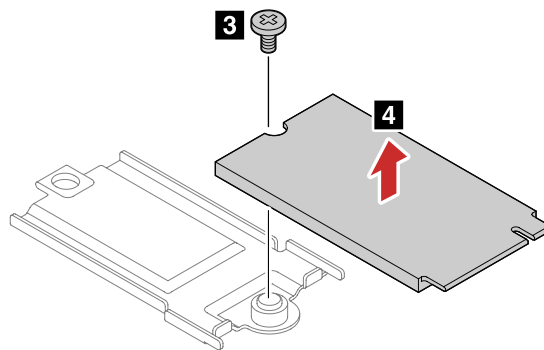
Step	Screw (quantity)	Color	Torque
1	M2 × 2 mm, wafer-head, nylon-coated (1)	Black	0.181 Nm (1.85 kgf-cm)



Removal steps of the short M.2 solid-state drive



Step	Screw (quantity)	Color	Torque
1	M2 × 2 mm, wafer-head, nylon-coated (1)	Black	0.181 Nm (1.85 kgf-cm)



Step	Screw (quantity)	Color	Torque
3	M2 × 2 mm, wafer-head, nylon-coated (1)	Black	0.181 Nm (1.85 kgf-cm)

1070 Coin-cell battery

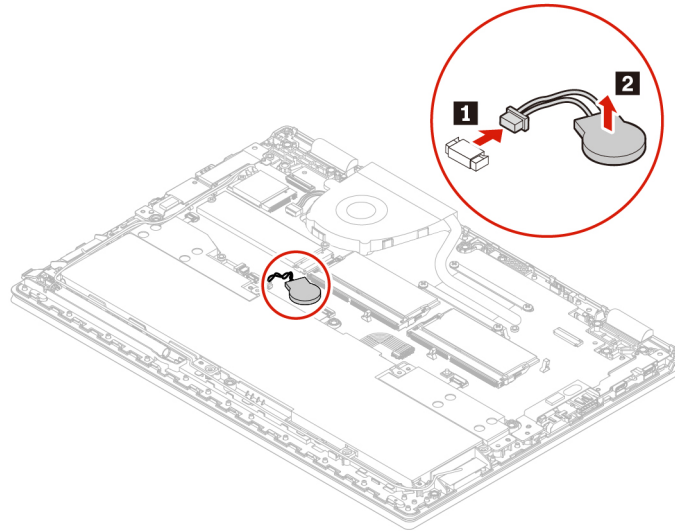
For access, remove these FRUs in order:

- “1020 ThinkPad Pen Pro” on page 67
- “1030 Base cover assembly” on page 69

Removal steps of the coin-cell battery



Use only the authorized battery specified for your computer. Any other battery could ignite or explode.



When installing: Ensure that the connector is attached firmly.

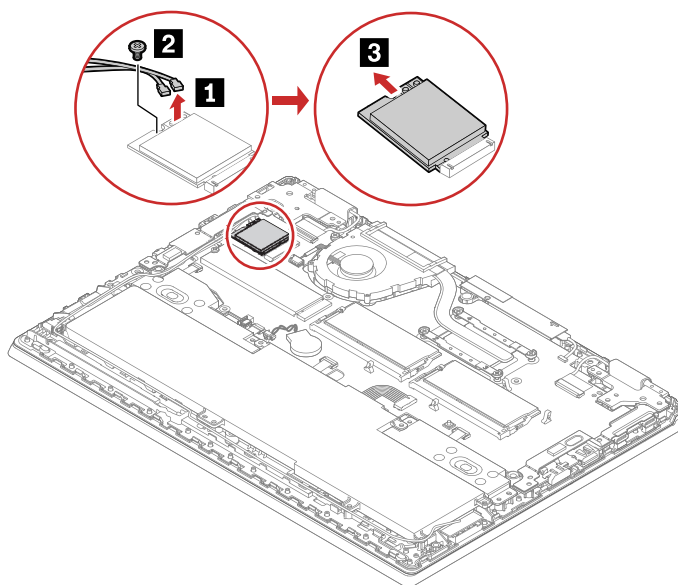
1080 Wireless LAN card

For access, remove these FRUs in order:

- “1020 ThinkPad Pen Pro” on page 67
- “1030 Base cover assembly” on page 69

Removal steps of the wireless LAN card

In step **1**, unplug the connectors by using the antenna RF connector removal tool or pick the connectors with your fingers and gently unplug them as shown.



Step	Screw (quantity)	Color	Torque
2	M2 × 2 mm, wafer-head, nylon-coated (1)	Black	0.181 Nm (1.85 kgf-cm)

When installing: Plug the gray cable into the main connector, and the black cable into the auxiliary connector on the card.

1090 Battery

For access, remove these FRUs in order:

- “1020 ThinkPad Pen Pro” on page 67
- “1030 Base cover assembly” on page 69

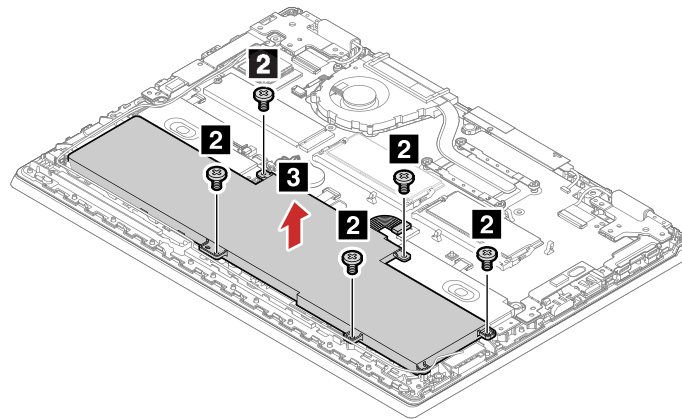
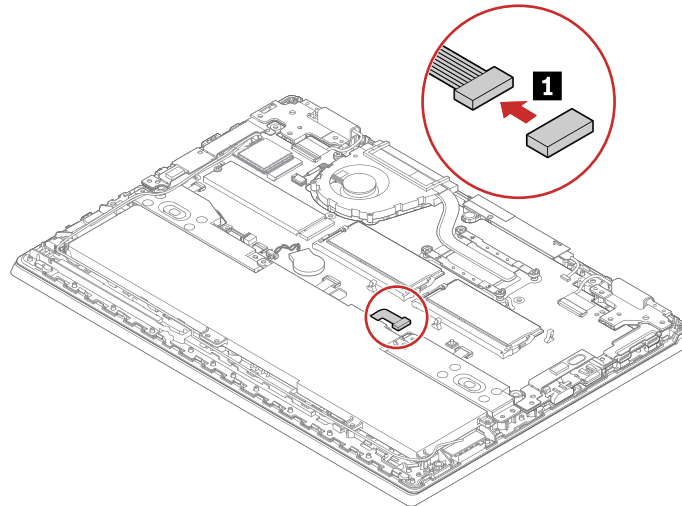
Important notice for replacing a battery

Attention: Lenovo has no responsibility for the performance or safety of unauthorized batteries, and provides no warranties for failures or damage arising out of their use.

Removal steps of the battery



Use only the authorized battery specified for your computer. Any other battery could ignite or explode.



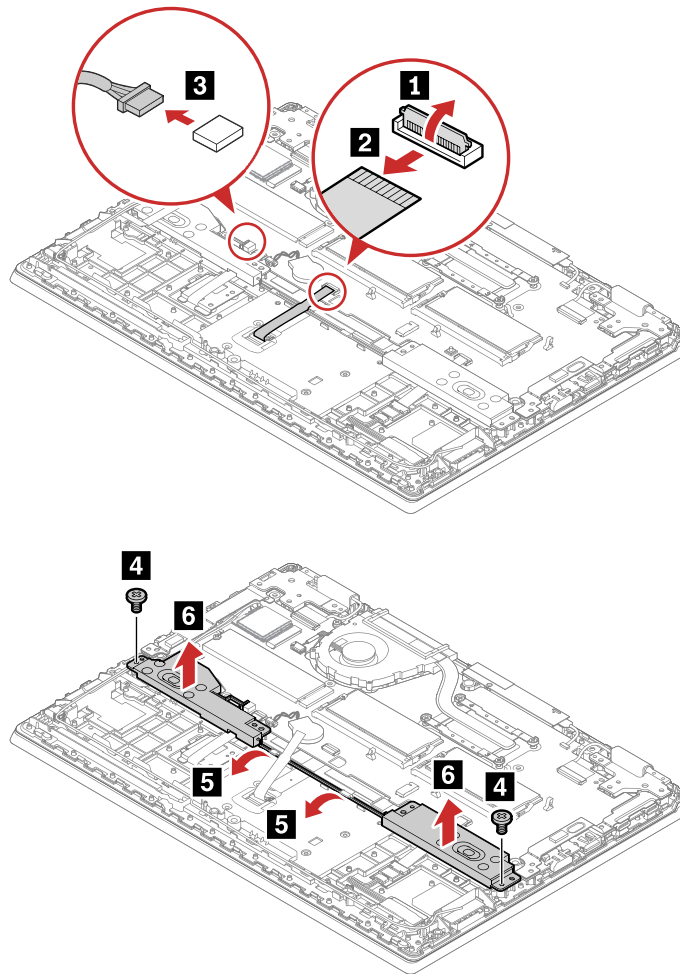
Step	Screw (quantity)	Color	Torque
2	M2 × 4 mm, wafer-head, nylon-coated (5)	Black	0.181 Nm (1.85 kgf-cm)

1100 Speaker assembly

For access, remove these FRUs in order:

- “1020 ThinkPad Pen Pro” on page 67
- “1030 Base cover assembly” on page 69
- “1090 Battery” on page 75

Removal steps of the speaker assembly



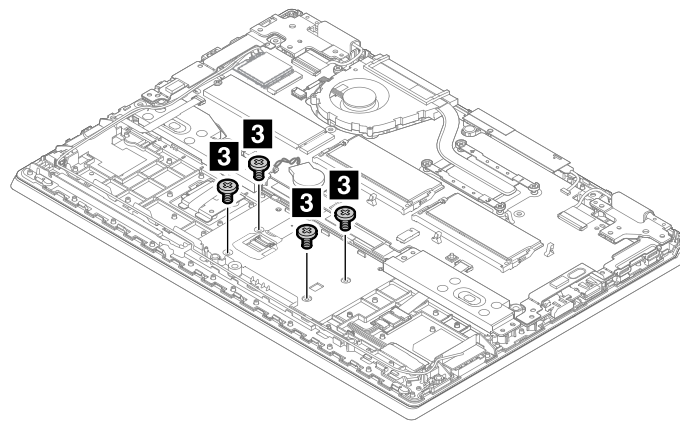
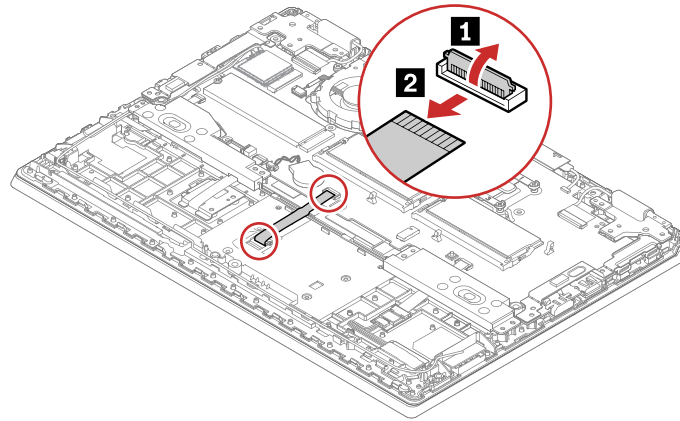
Step	Screw (quantity)	Color	Torque
4	M2 × 4 mm, wafer-head, nylon-coated (2)	Black	0.181 Nm (1.85 kgf-cm)

1110 Trackpad and trackpad cable

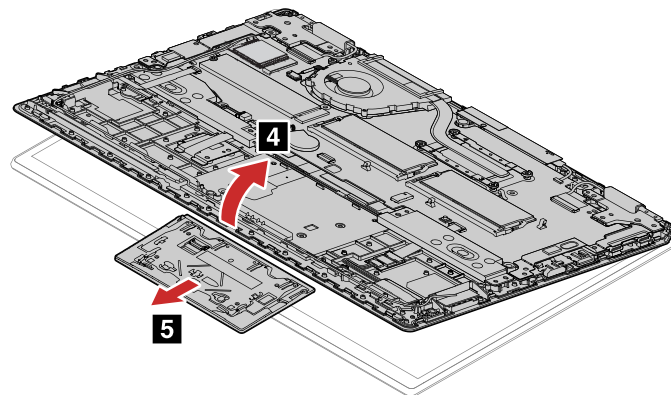
For access, remove these FRUs in order:

- “1020 ThinkPad Pen Pro” on page 67
- “1030 Base cover assembly” on page 69
- “1090 Battery” on page 75

Removal steps of the trackpad and trackpad cable



Step	Screw (quantity)	Color	Torque
3	M2 × 2 mm, fine pitch, wafer-head, nylon-coated (4)	Silver	0.181 Nm (1.85 kgf-cm)



When installing: Ensure that the trackpad is attached firmly.

1120 Wireless LAN antenna assembly

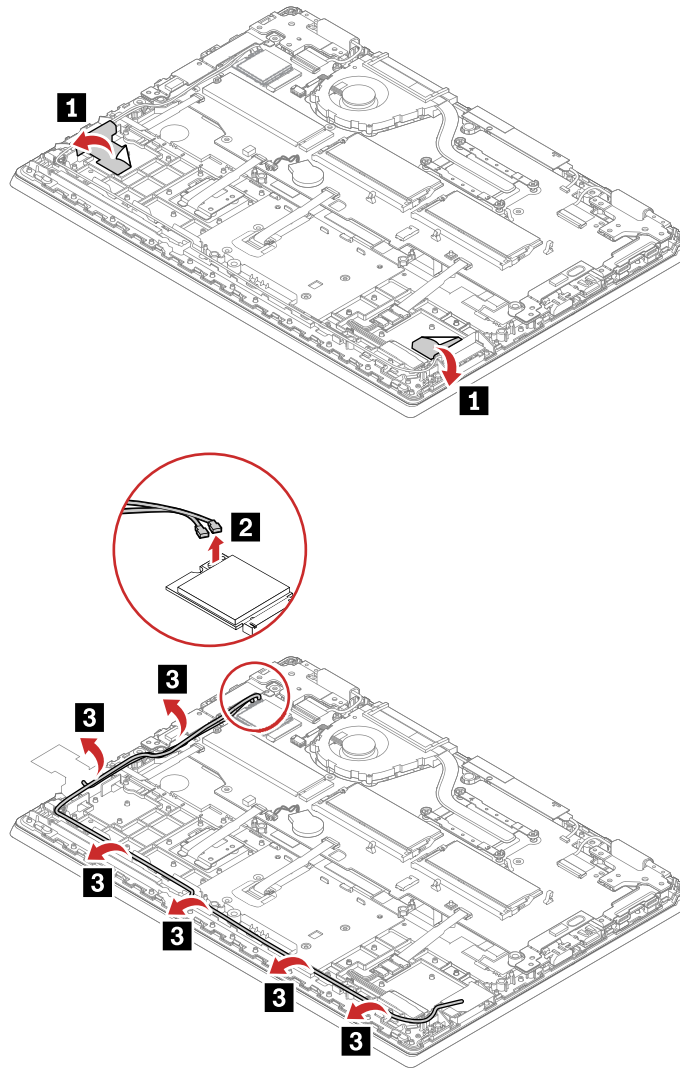
For access, remove these FRUs in order:

- “1020 ThinkPad Pen Pro” on page 67
- “1030 Base cover assembly” on page 69

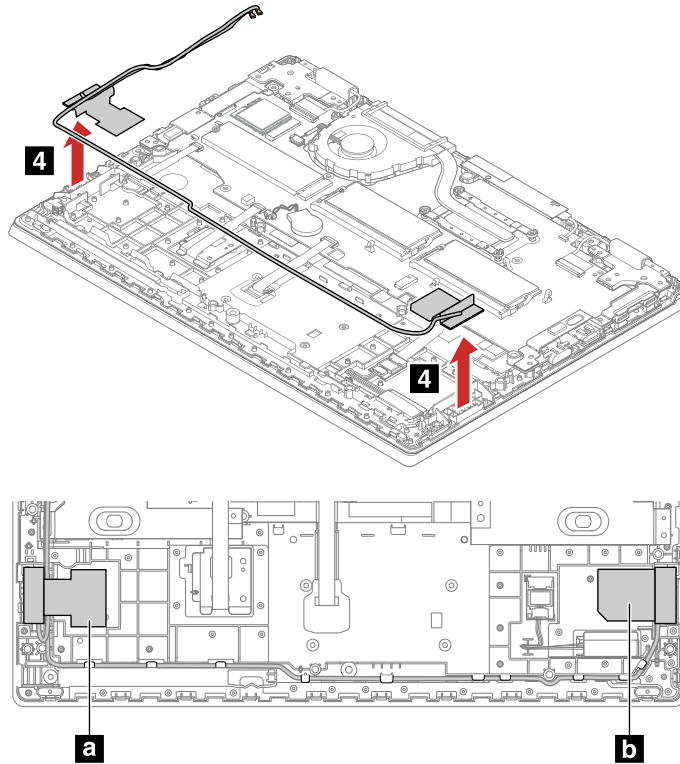
- “1090 Battery” on page 75
- “1100 Speaker assembly” on page 76

Removal steps of the wireless LAN antenna assembly

Release the antenna cables from the cable guides on the LCD cover assembly.



Attention: When you route the cables, ensure that they are not subject to any tension. Tension could cause the cables to be damaged by the cable guides, or a wire to be broken.



Antenna locations

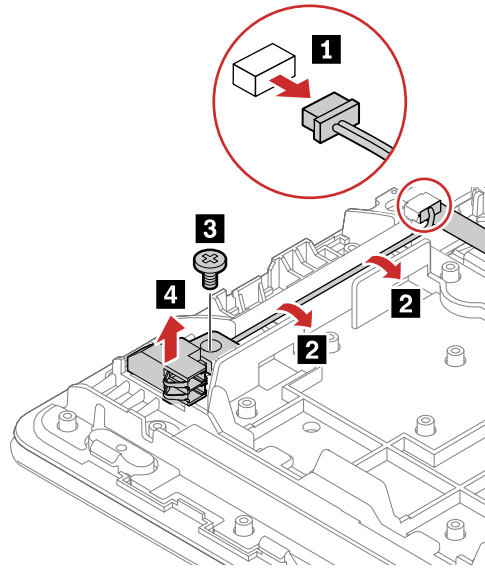
- a** Wireless-LAN main antenna (gray)
- b** Wireless-LAN auxiliary antenna (black)

1130 ThinkPad Pen Pro charger with cable

For access, remove these FRUs in order:

- “1020 ThinkPad Pen Pro” on page 67
- “1030 Base cover assembly” on page 69
- “1090 Battery” on page 75
- “1100 Speaker assembly” on page 76
- “1120 Wireless LAN antenna assembly” on page 78

Removal steps of the ThinkPad Pen Pro charger with cable



Step	Screw (quantity)	Color	Torque
3	M2 × 4 mm, wafer-head, nylon-coated (1)	Black	0.181 Nm (1.85 kgf-cm)

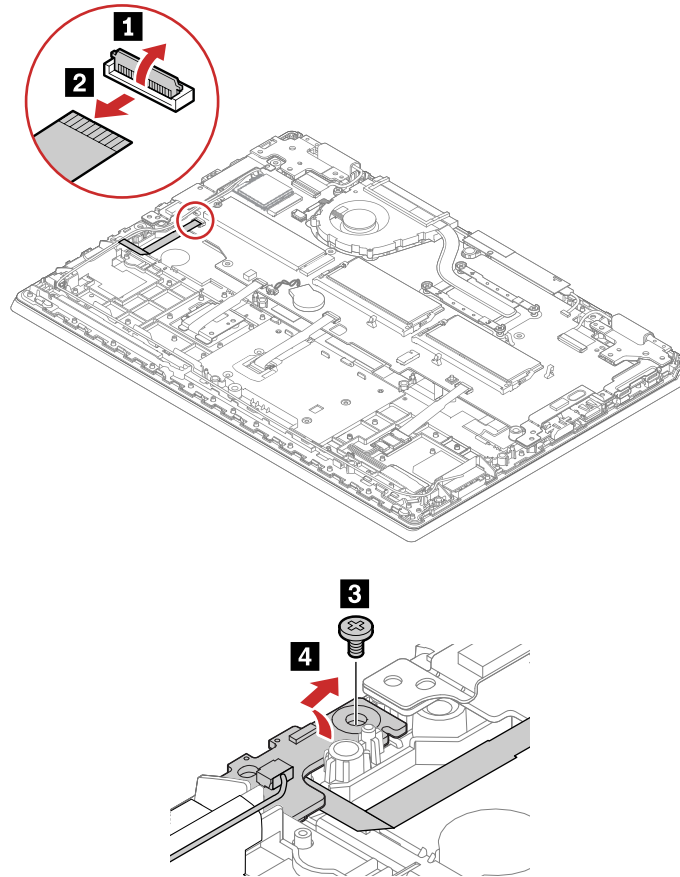
When installing: Ensure that the connector is attached firmly to the system board.

1140 Power button board with cable

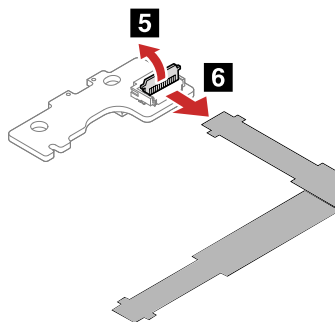
For access, remove these FRUs in order:

- “1020 ThinkPad Pen Pro” on page 67
- “1030 Base cover assembly” on page 69
- “1090 Battery” on page 75
- “1100 Speaker assembly” on page 76
- “1120 Wireless LAN antenna assembly” on page 78
- “1130 ThinkPad Pen Pro charger with cable” on page 80

Removal steps of the power button board with cable



Step	Screw (quantity)	Color	Torque
3	M2 × 4 mm, wafer-head, nylon-coated (1)	Black	0.181 Nm (1.85 kgf-cm)

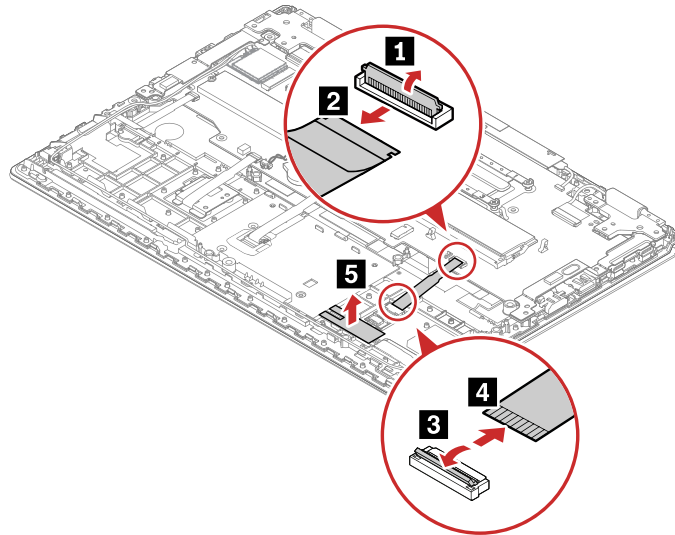


1150 NFC board with cable, NFC antenna

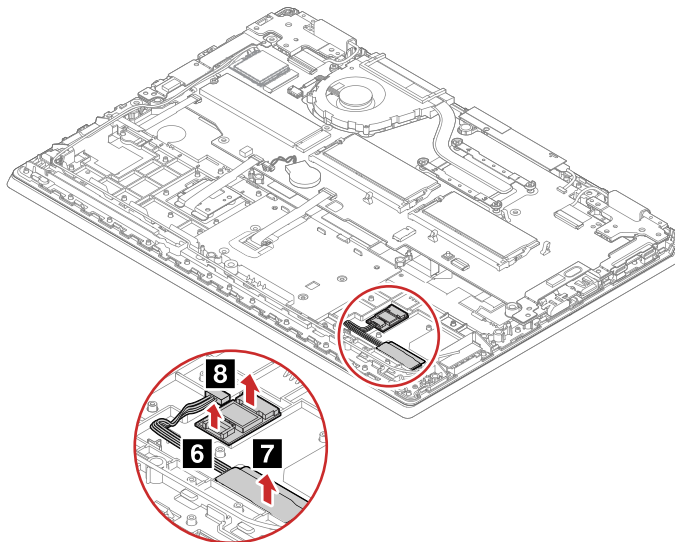
For access, remove these FRUs in order:

- “1020 ThinkPad Pen Pro” on page 67
- “1030 Base cover assembly” on page 69
- “1090 Battery” on page 75
- “1100 Speaker assembly” on page 76

Removal steps of the NFC board with cable, NFC antenna



When installing: Ensure that the connector is attached firmly to the system board.

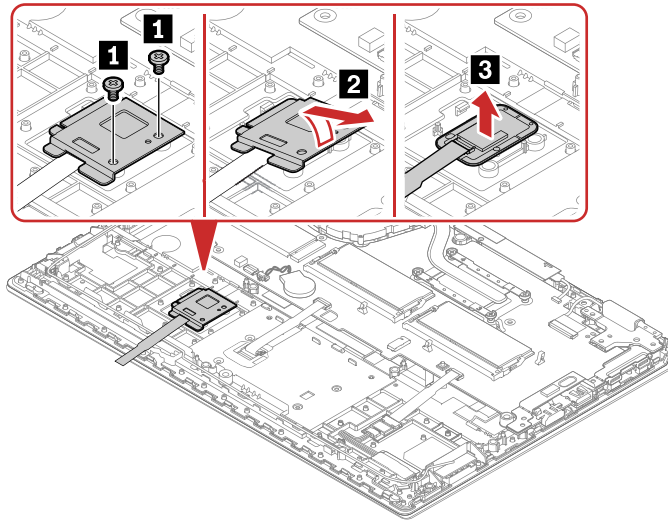


1160 Fingerprint reader bracket and fingerprint reader with cable

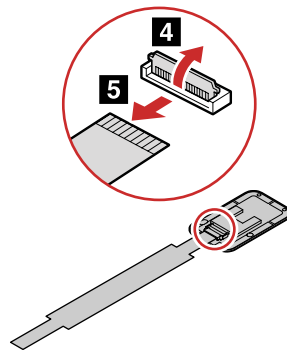
For access, remove these FRUs in order:

- “1020 ThinkPad Pen Pro” on page 67
- “1030 Base cover assembly” on page 69
- “1090 Battery” on page 75
- “1100 Speaker assembly” on page 76

Removal steps of the fingerprint reader bracket and fingerprint reader with cable



Step	Screw (quantity)	Color	Torque
1	M2 × 2.5 mm, wafer-head, nylon-coated (2)	Black	0.181 Nm (1.85 kgf-cm)



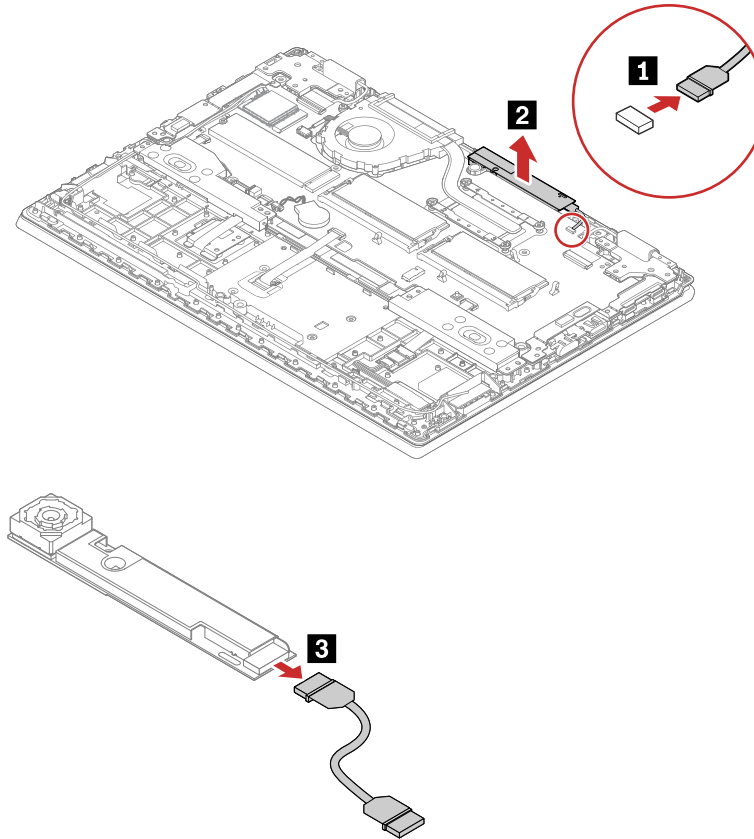
When installing: Ensure that the connectors are attached firmly.

1170 Rear camera board with cable

For access, remove these FRUs in order:

- “1020 ThinkPad Pen Pro” on page 67
- “1030 Base cover assembly” on page 69
- “1090 Battery” on page 75

Removal steps of the rear camera board with cable



When installing: Ensure that the connector is attached firmly to the system board.

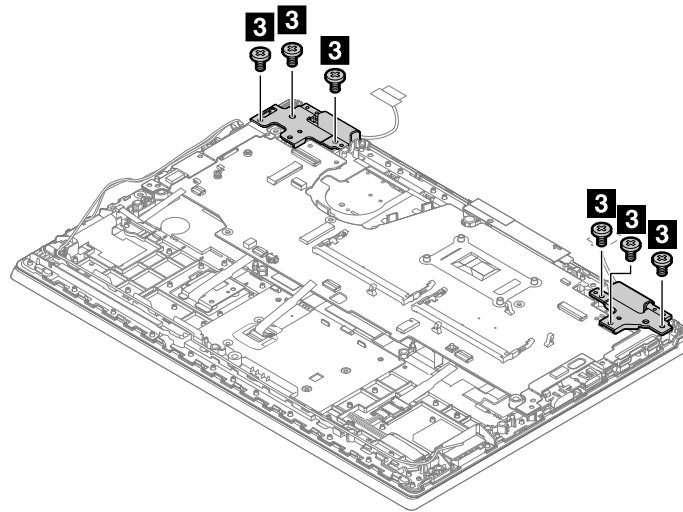
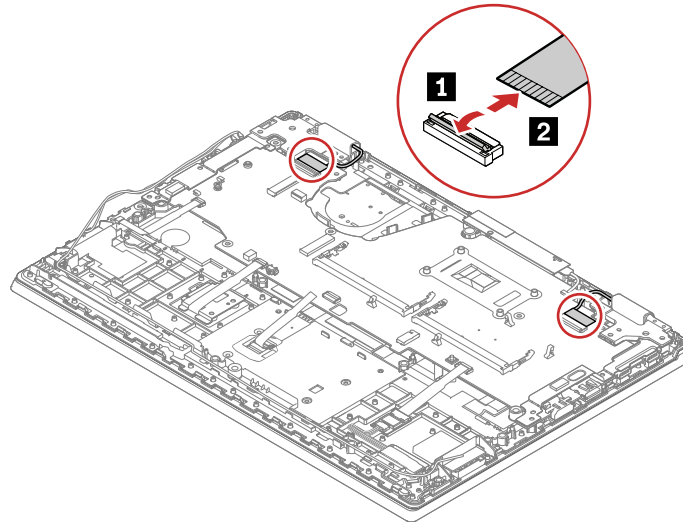
1180 LCD unit

For access, remove these FRUs in order:

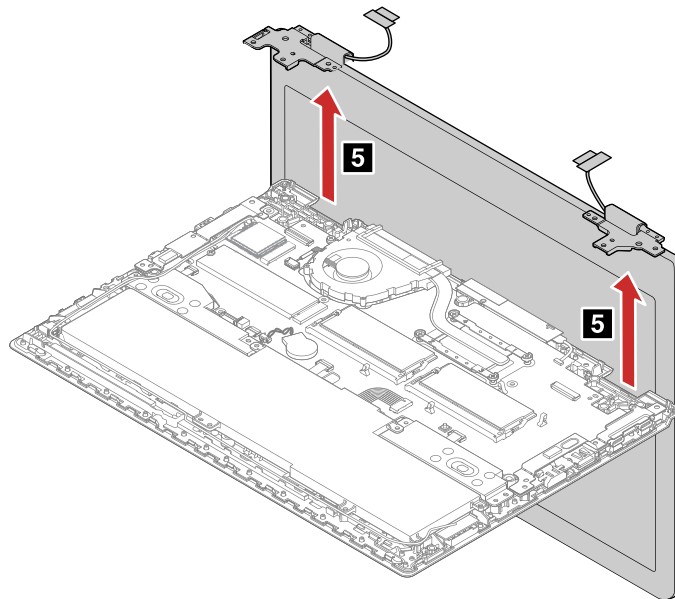
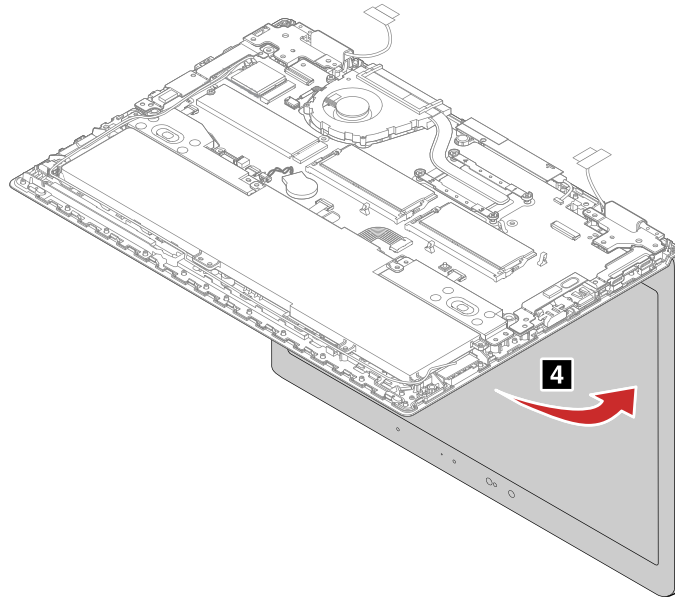
- “1020 ThinkPad Pen Pro” on page 67
- “1030 Base cover assembly” on page 69
- “1090 Battery” on page 75

Removal steps of the LCD unit

Note: The computer that you are servicing might be different from the one in the following illustrations.



Step	Screw (quantity)	Color	Torque
3	M 2.5 × 4.5 mm, wafer-head, nylon-coated (6)	Silver	0.294 Nm (3.0 kgf-cm)

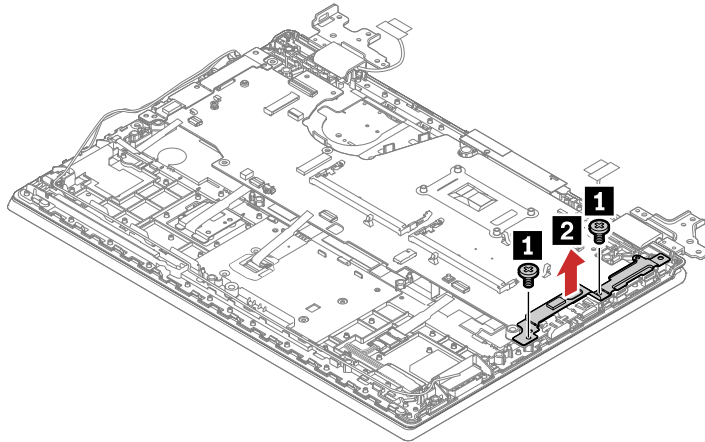


1190 HDMI connector bracket

For access, remove these FRUs in order:

- “1020 ThinkPad Pen Pro” on page 67
- “1030 Base cover assembly” on page 69
- “1090 Battery” on page 75
- “1180 LCD unit” on page 85

Removal steps of the HDMI connector bracket



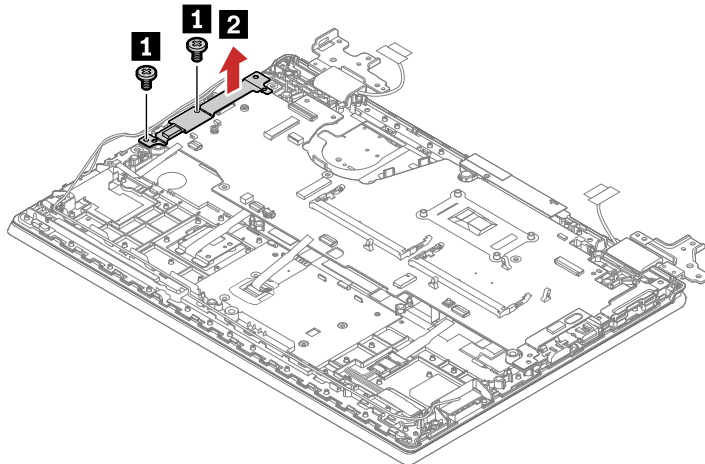
Step	Screw (quantity)	Color	Torque
1	M 2 x 4 mm, wafer-head, nylon-coated (2)	Black	0.181 Nm (1.85 kgf-cm)

1200 USB 3.1 connector bracket

For access, remove these FRUs in order:

- “1020 ThinkPad Pen Pro” on page 67
- “1030 Base cover assembly” on page 69
- “1090 Battery” on page 75
- “1180 LCD unit” on page 85

Removal steps of the USB 3.1 connector bracket



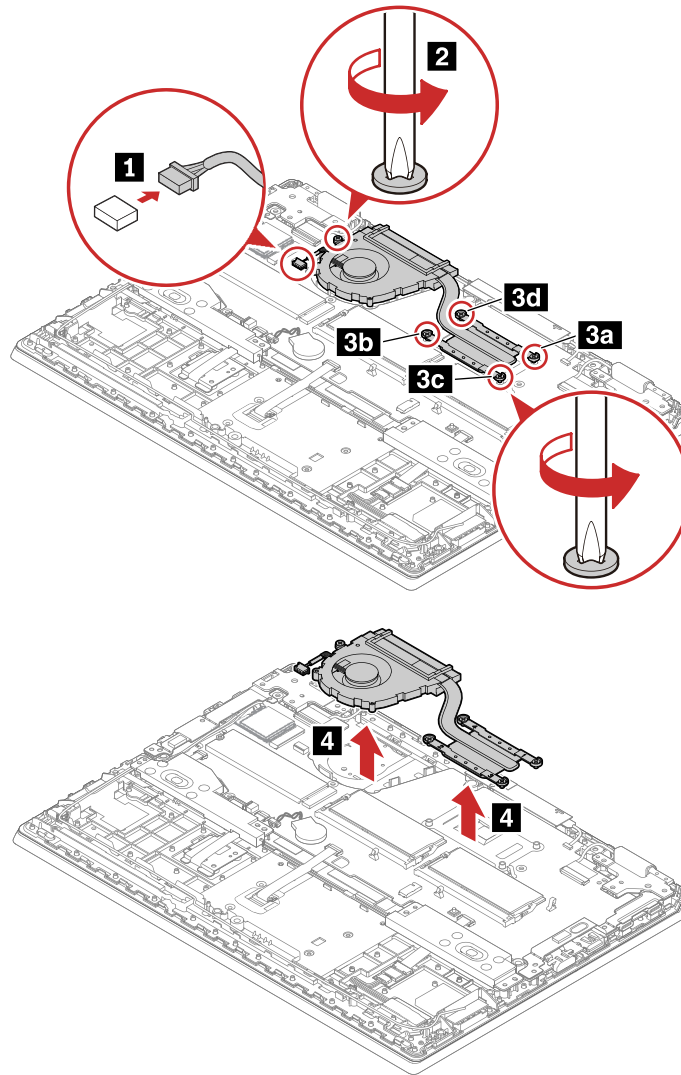
Step	Screw (quantity)	Color	Torque
1	M 2 x 4 mm, wafer-head, nylon-coated (2)	Black	0.181 Nm (1.85 kgf-cm)

1210 Thermal fan

For access, remove these FRUs in order:

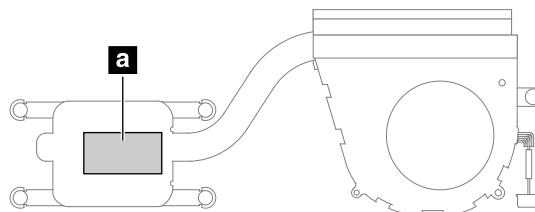
- “1020 ThinkPad Pen Pro” on page 67
- “1030 Base cover assembly” on page 69
- “1090 Battery” on page 75

Removal steps of the thermal fan



When installing:

- Ensure that the connector is attached firmly.
- Do not press the top of the fan cover and the fan hub.
- Before you attach the fan assembly to the computer, apply thermal grease, at an amount of 0.2 grams, on the part marked **a** as shown in the following illustrations. Either too much or too less application of grease can cause a thermal problem due to imperfect contact with a component.



1220 System board

Important notices for handling the system board:

When handling the system board, read the following:

- The system board has an accelerometer, which can be broken when several thousands of G-forces are applied.

Note: Dropping a system board from a height of as little as 6 inches so that it falls flat on a hard bench can subject the accelerometer to as much as 6000 G's of shock.

- Be careful not to drop the system board on a bench top that has a hard surface, such as metal, wood, or composite.
- Avoid rough handling of any kind.
- At every point in the process, be sure not to drop or stack the system board.
- If you put a system board down, be sure to put it only on a padded surface such as an ESD mat or a corrugated conductive surface.

For access, remove these FRUs in order:

- “1020 ThinkPad Pen Pro” on page 67
- “1030 Keyboard” on page 67

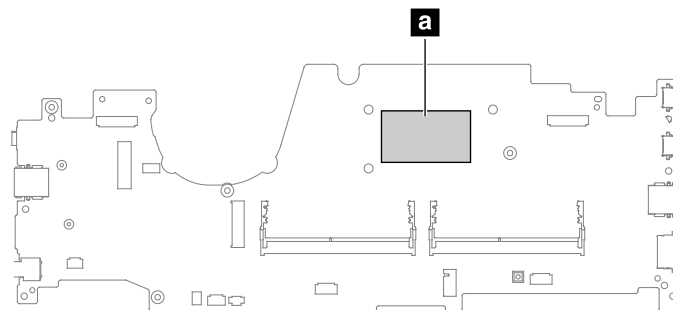
Note: The keyboard removal tool (product part number: 01LX856) is needed for removing the keyboard.

You can purchase it as a separate FRU at: <https://support.lenovo.com/partslookup>.

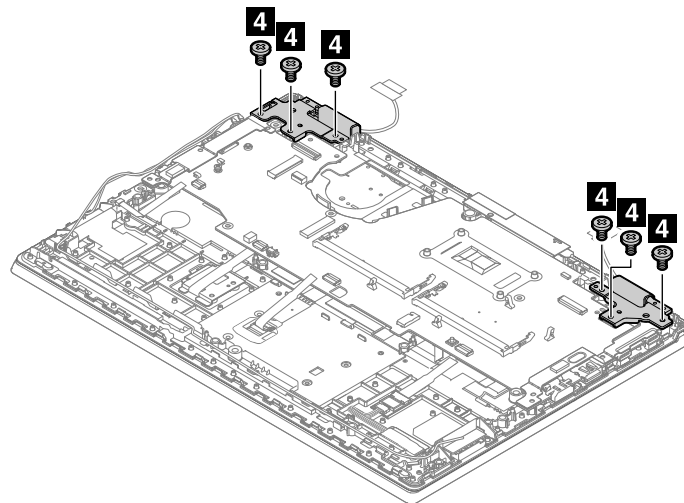
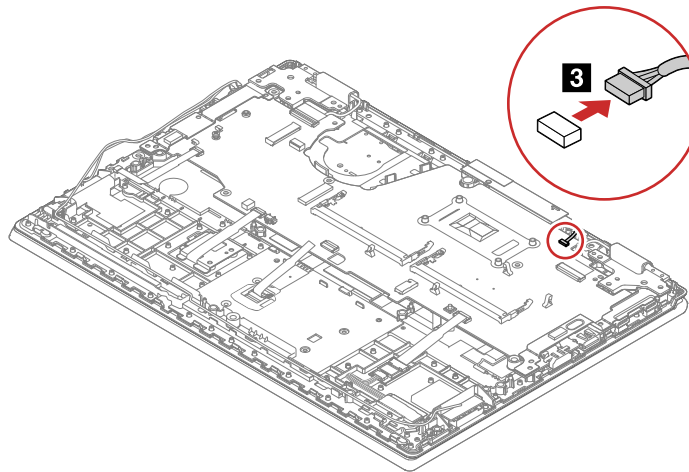
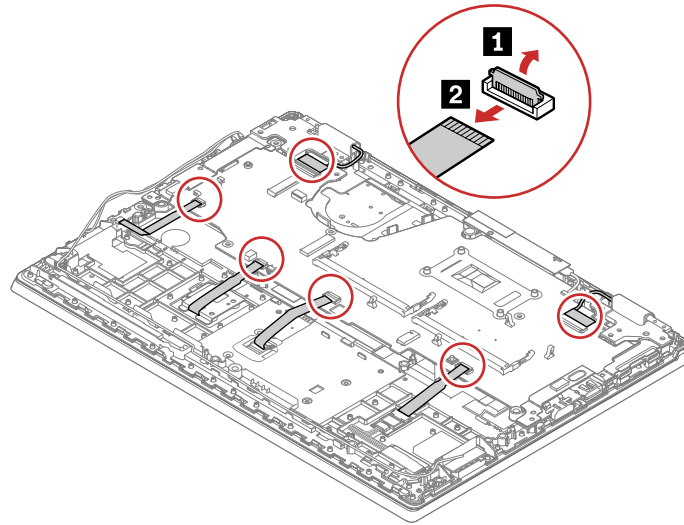
- “1030 Base cover assembly” on page 69
- “1090 Battery” on page 75
- “1040 Memory module” on page 71
- “1060 M.2 solid-state drive” on page 71
- “1100 Speaker assembly” on page 76
- “1070 Coin-cell battery” on page 73
- “1080 Wireless LAN card” on page 74
- “1210 Thermal fan” on page 88

Attention: The following components soldered on the top side of the system board are extremely sensitive. When you service the system board, avoid any kind of rough handling.

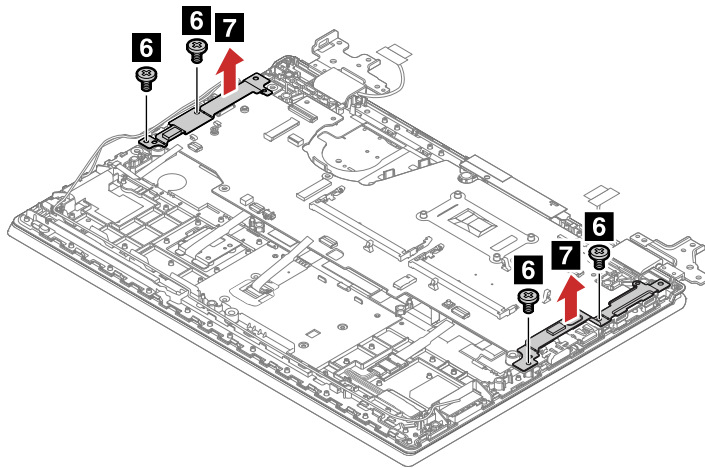
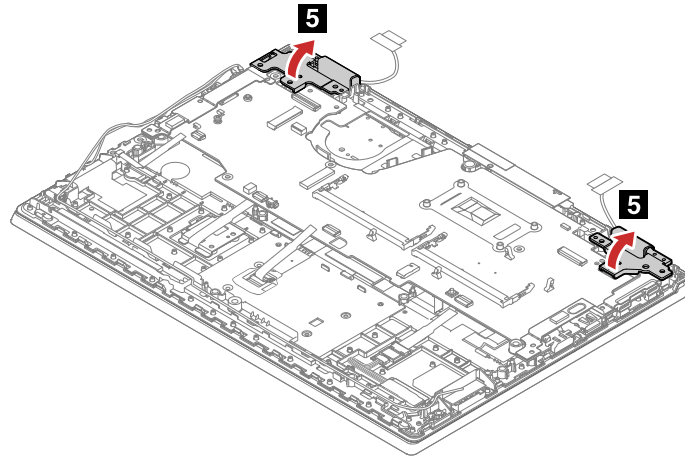
Microprocessor



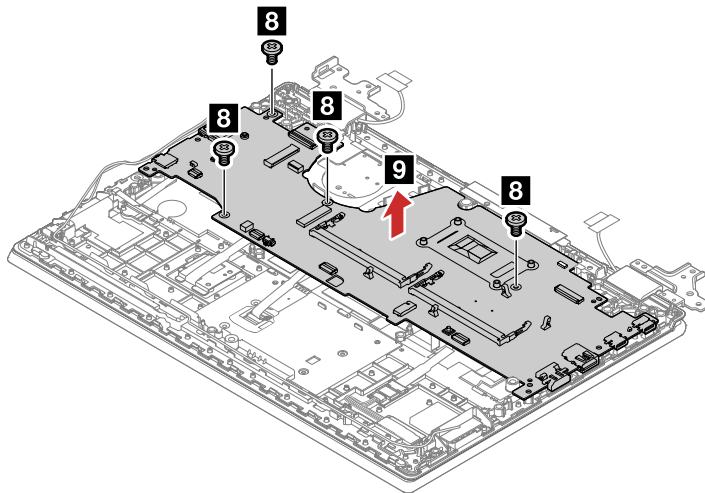
Removal steps of the system board



Step	Screw (quantity)	Color	Torque
4	M 2.5 × 4.5 mm, wafer-head, nylon-coated (6)	Silver	0.294 Nm (3.0 kgf-cm)



Step	Screw (quantity)	Color	Torque
6	M 2 x 4 mm, wafer-head, nylon-coated (4)	Black	0.181 Nm (1.85 kgf-cm)



Step	Screw (quantity)	Color	Torque
8	M 2 x 2.5 mm, wafer-head, nylon-coated (4)	Black	0.181 Nm (1.85 kgf-cm)

When installing: Ensure that the connectors are attached firmly.

1230 Keyboard bezel assembly

For access, remove these FRUs in order:

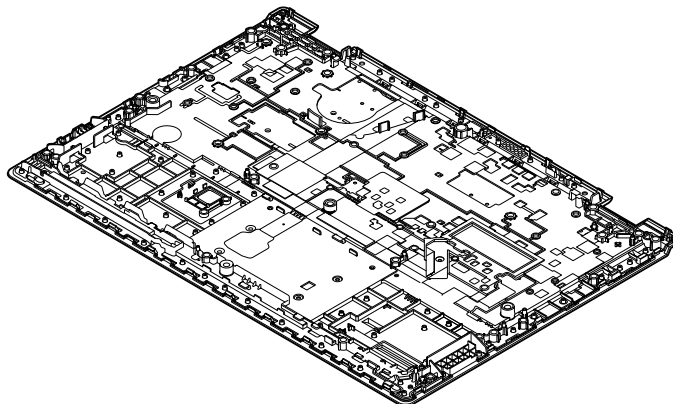
- “1020 ThinkPad Pen Pro” on page 67
- “1030 Keyboard” on page 67

Note: The keyboard removal tool (product part number: 01LX856) is needed for removing the keyboard.

You can purchase it as a separate FRU at: <https://support.lenovo.com/partslookup>.

- “1030 Base cover assembly” on page 69
- “1040 Memory module” on page 71
- “1060 M.2 solid-state drive” on page 71
- “1070 Coin-cell battery” on page 73
- “1080 Wireless LAN card” on page 74
- “1020 ThinkPad Pen Pro” on page 67
- “1090 Battery” on page 75
- “1210 Thermal fan” on page 88
- “1110 Trackpad and trackpad cable” on page 77
- “1120 Wireless LAN antenna assembly” on page 78
- “1130 ThinkPad Pen Pro charger with cable” on page 80
- “1140 Power button board with cable” on page 81
- “1100 Speaker assembly” on page 76
- “1160 Fingerprint reader bracket and fingerprint reader with cable” on page 83
- “1170 Rear camera board with cable” on page 84
- “1180 LCD unit” on page 85
- “1190 HDMI connector bracket” on page 87
- “1200 USB 3.1 connector bracket” on page 88
- “1220 System board ” on page 90

Removal steps of the keyboard bezel assembly



LCD FRUs for Yoga models

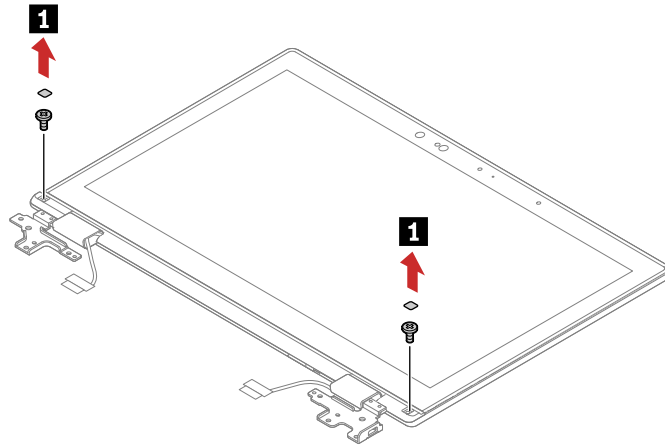
This chapter provides information about replacement of LCD FRUs for Yoga models.

2010 Strip cover and rubber caps

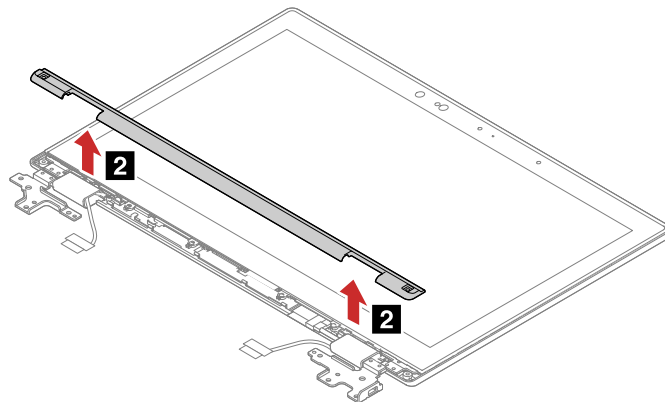
For access, remove these FRUs in order:

- “1020 ThinkPad Pen Pro” on page 67
- “1030 Base cover assembly” on page 69
- “1090 Battery” on page 75
- “1180 LCD unit” on page 85

Removal steps of the strip cover and rubber caps



Step	Screw (quantity)	Color	Torque
1	M2 × 4 mm, wafer-head, nylon-coated (2)	Black	0.181 Nm (1.85 kgf-cm)



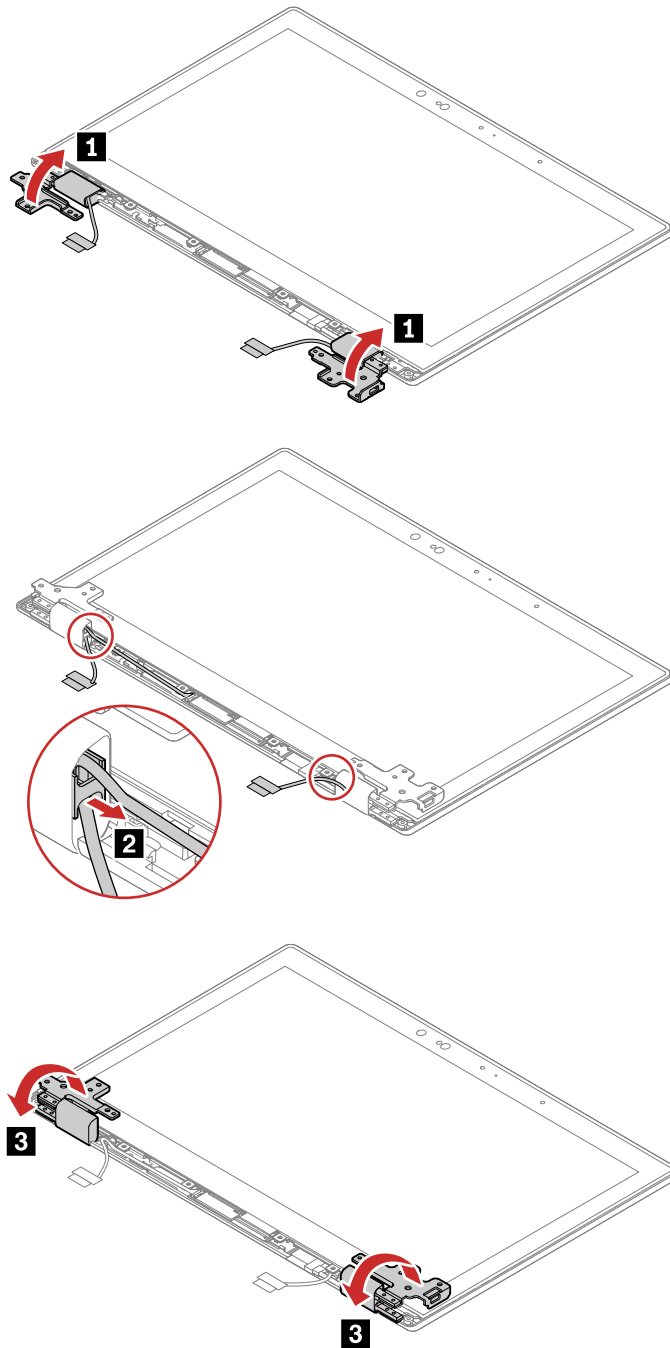
When installing: Ensure that all the latches are attached firmly.

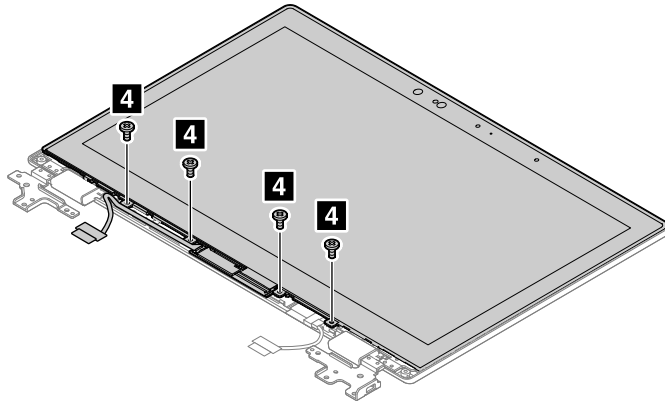
2020 Touch module assembly and hinge rubber

For access, remove these FRUs in order:

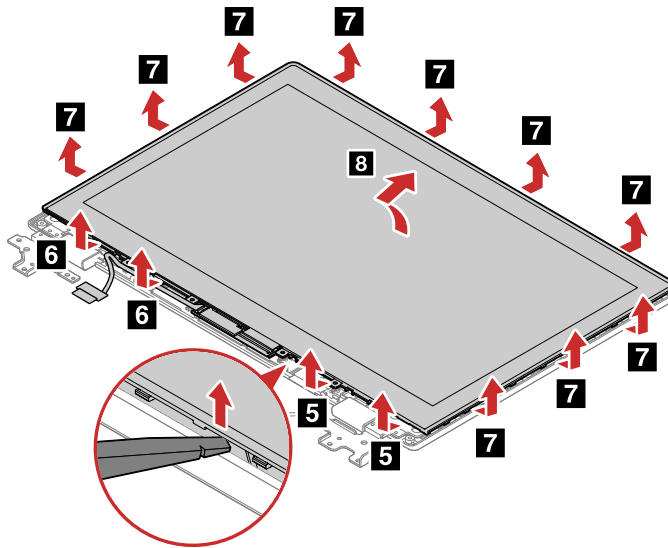
- “1020 ThinkPad Pen Pro” on page 67
- “1030 Base cover assembly” on page 69
- “1090 Battery” on page 75
- “1180 LCD unit” on page 85
- “2010 Strip cover and rubber caps” on page 94

Removal steps of the touch module assembly and hinge rubber





Step	Screw (quantity)	Color	Torque
4	M 2 × 3 mm, wafer-head, nylon-coated, small head (4)	Black	0.181 Nm (1.85 kgf-cm)



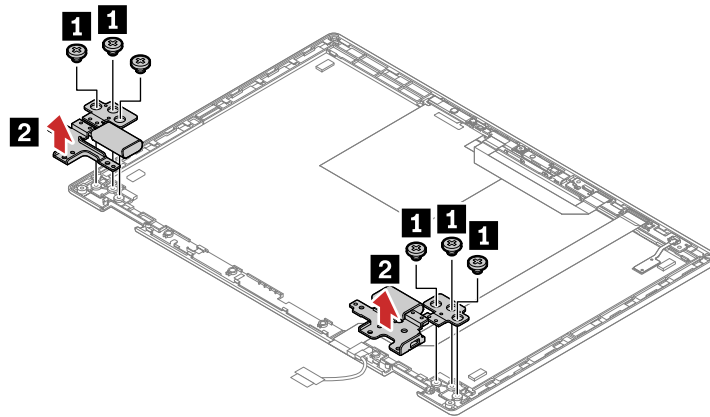
When installing: Ensure that the LCD connector is attached firmly.

2030 LCD hinges

For access, remove these FRUs in order:

- “1020 ThinkPad Pen Pro” on page 67
- “1030 Base cover assembly” on page 69
- “1090 Battery” on page 75
- “1180 LCD unit” on page 85
- “2010 Strip cover and rubber caps” on page 94
- “2020 Touch module assembly and hinge rubber” on page 94

Removal steps of the LCD hinges



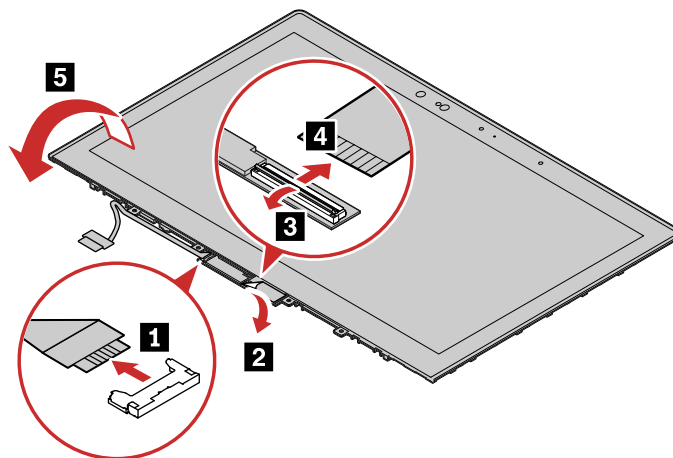
Step	Screw (quantity)	Color	Torque
1	M 2.5 × 2.5 mm, wafer-head, nylon-coated (6)	Black	0.294 Nm (3.0 kgf-cm)

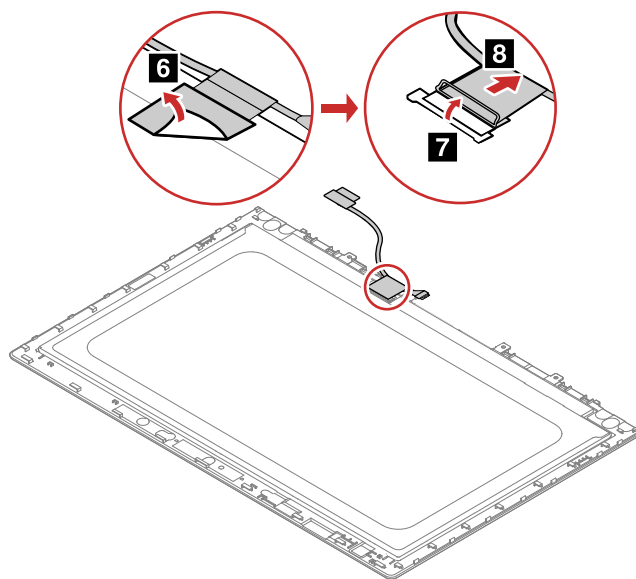
2040 LCD cable and touch control board

For access, remove these FRUs in order:

- “1020 ThinkPad Pen Pro” on page 67
- “1030 Base cover assembly” on page 69
- “1090 Battery” on page 75
- “1180 LCD unit” on page 85
- “2010 Strip cover and rubber caps” on page 94
- “2020 Touch module assembly and hinge rubber” on page 94
- “2030 LCD hinges” on page 96

Removal steps of the LCD cable and touch control board





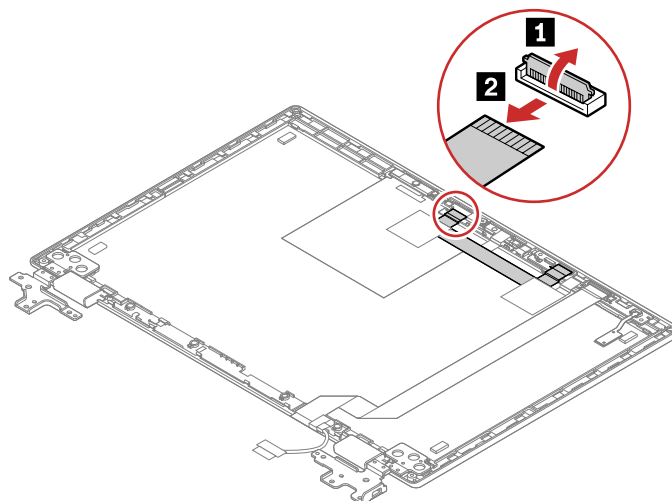
Attention: When you route the cables, ensure that they are not subject to any tension. Tension could cause the cables to be damaged by the cable guides, or a wire to be broken.

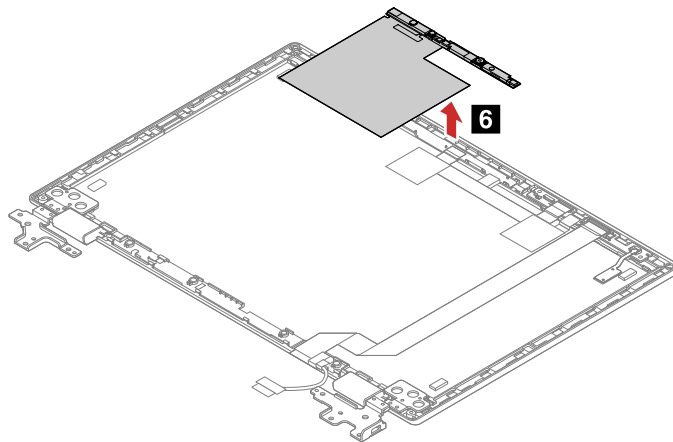
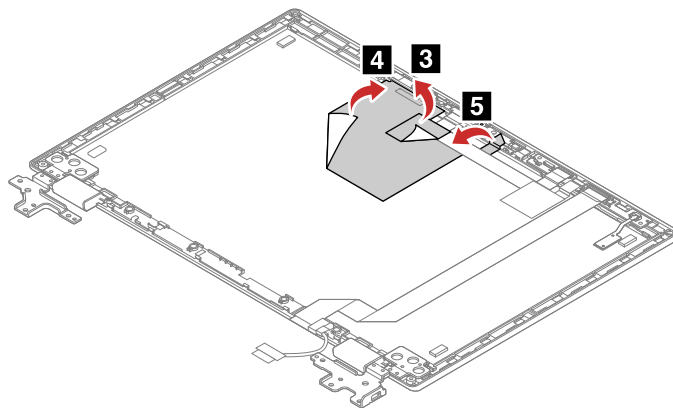
2050 Infrared camera/microphone module with cable

For access, remove these FRUs in order:

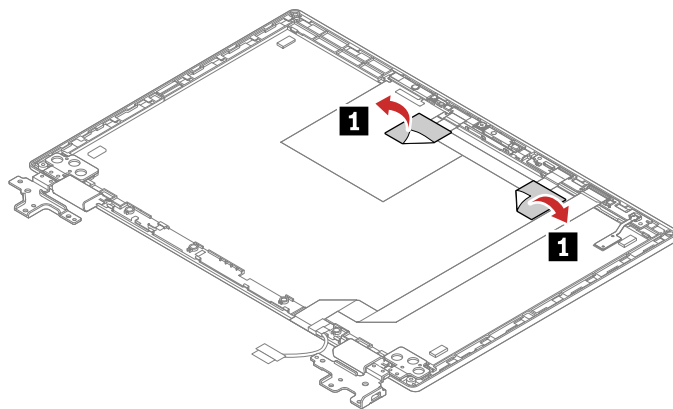
- “1020 ThinkPad Pen Pro” on page 67
- “1030 Base cover assembly” on page 69
- “1090 Battery” on page 75
- “1180 LCD unit” on page 85
- “2010 Strip cover and rubber caps” on page 94
- “2020 Touch module assembly and hinge rubber” on page 94

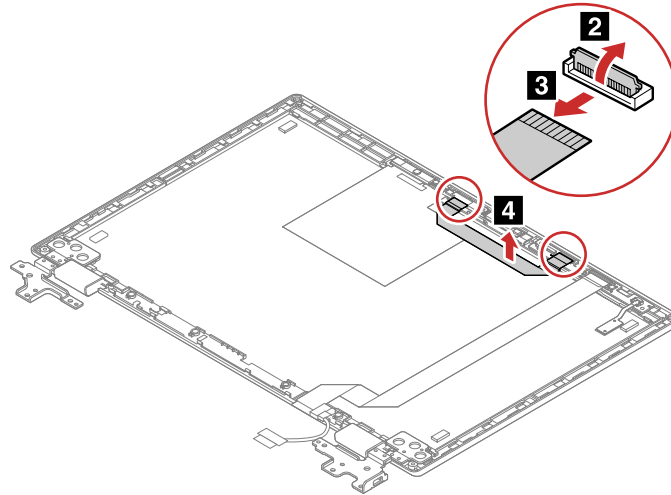
Removal steps of the infrared camera/microphone module





Removal steps of the infrared camera/microphone module cable





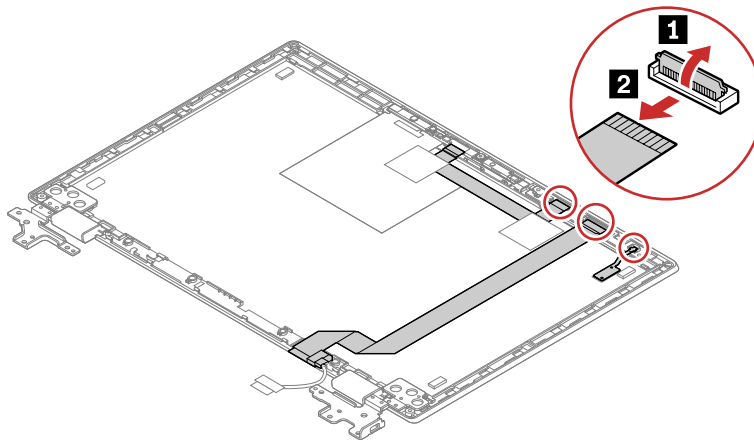
When installing: Ensure that the connector is attached firmly.

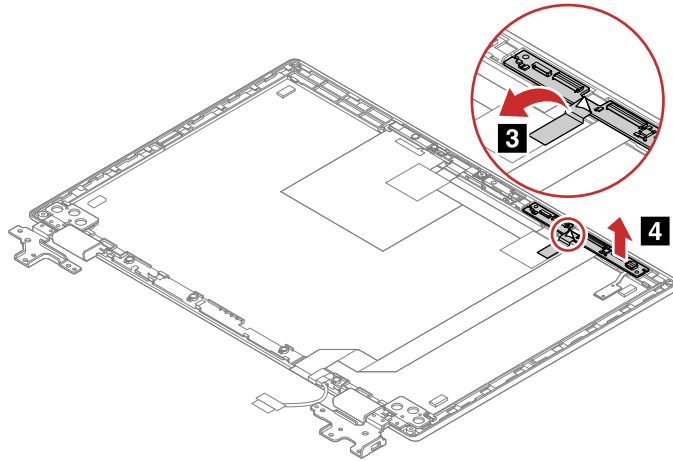
2060 Sensor board with cable and LCD rear cover assembly

For access, remove these FRUs in order:

- “1020 ThinkPad Pen Pro” on page 67
- “1030 Base cover assembly” on page 69
- “1090 Battery” on page 75
- “1180 LCD unit” on page 85
- “2010 Strip cover and rubber caps” on page 94
- “2020 Touch module assembly and hinge rubber” on page 94

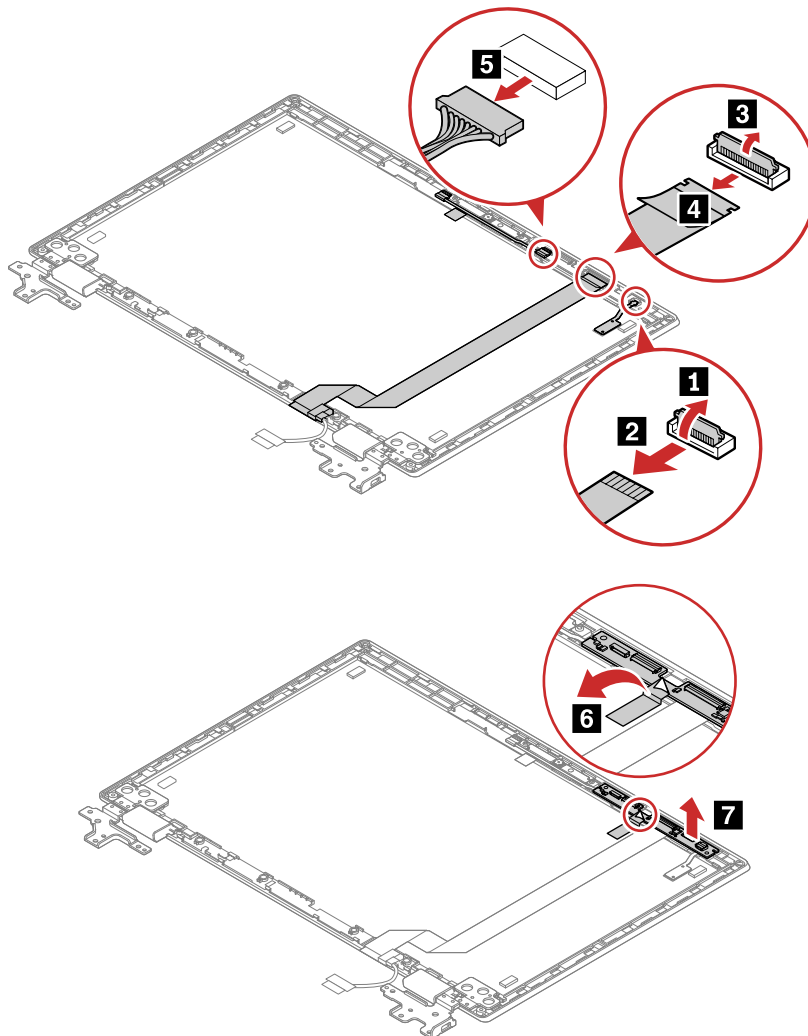
Removal steps of the sensor board for computer models with infrared camera





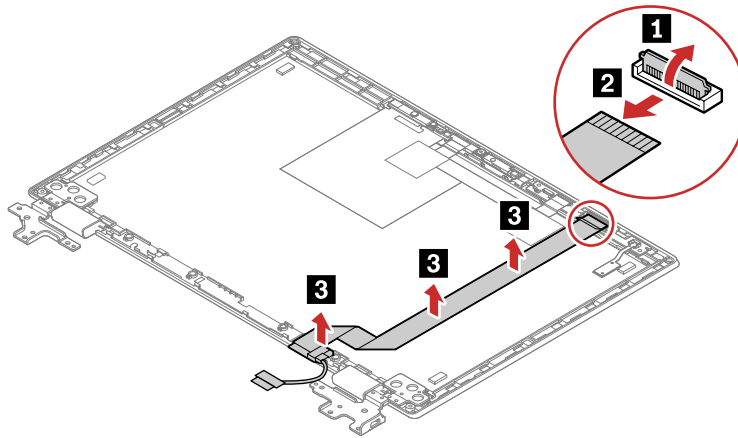
When installing: Ensure that the connector is attached firmly.

Removal steps of the sensor board for computer models shipped with RGB camera



When installing: Ensure that the connector is attached firmly.

Removal steps of the sensor board cable and LCD cover assembly



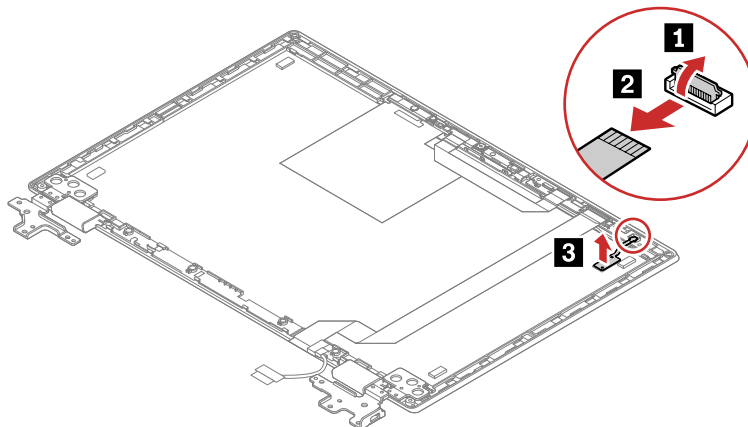
When installing: Ensure that the connector is attached firmly.

2070 ThinkPad-logo-LED card with cable

For access, remove these FRUs in order:

- “1020 ThinkPad Pen Pro” on page 67
- “1030 Base cover assembly” on page 69
- “1090 Battery” on page 75
- “1180 LCD unit” on page 85
- “2010 Strip cover and rubber caps” on page 94
- “2020 Touch module assembly and hinge rubber” on page 94

Removal steps of the ThinkPad-logo-LED card with cable



LCD FRUs for non-yoga models

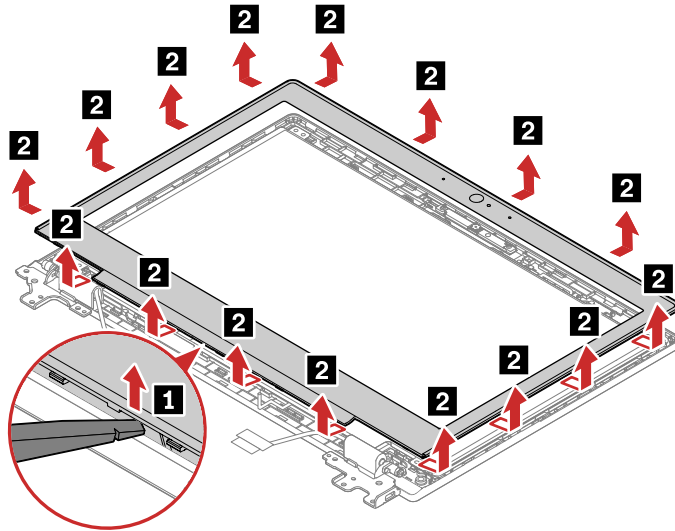
This chapter provides information about replacement of LCD FRUs for non-yoga models.

2080 LCD bezel

For access, remove these FRUs in order:

- “1020 ThinkPad Pen Pro” on page 67
- “1030 Base cover assembly” on page 69
- “1090 Battery” on page 75
- “1180 LCD unit” on page 85

Removal steps of the LCD bezel



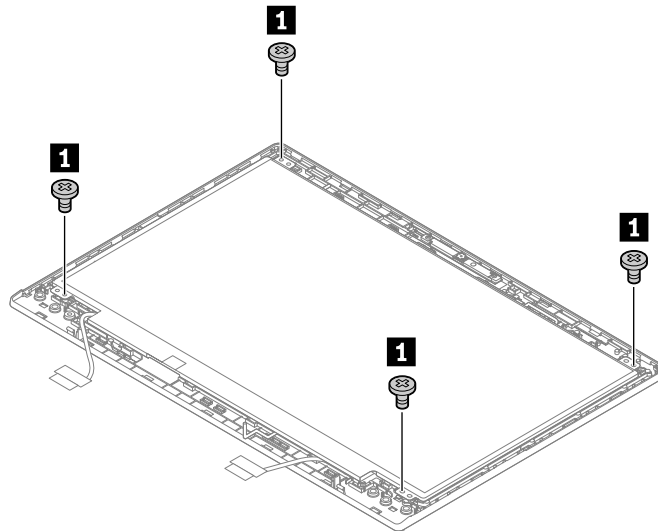
When installing: Ensure that all the latches are attached firmly.

2090 LCD panel and LCD cable

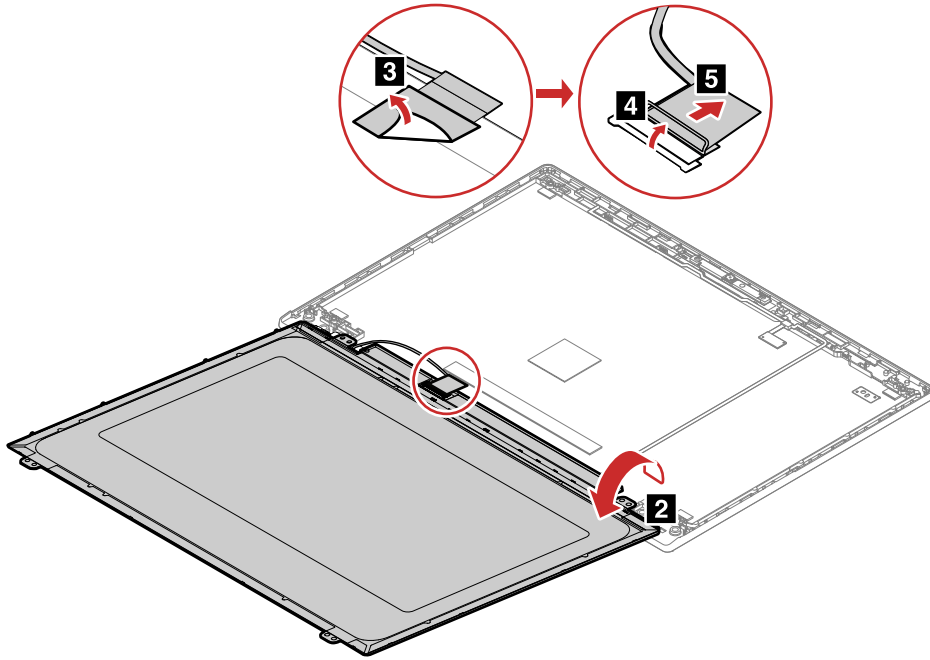
For access, remove these FRUs in order:

- “1020 ThinkPad Pen Pro” on page 67
- “1030 Base cover assembly” on page 69
- “1090 Battery” on page 75
- “1180 LCD unit” on page 85
- “2080 LCD bezel” on page 102

Removal steps of the LCD panel and LCD cable



Step	Screw (quantity)	Color	Torque
1	M2 × 2.5 mm, wafer-head, nylon-coated, small head (4)	Black	0.181 Nm (1.85 kgf-cm)



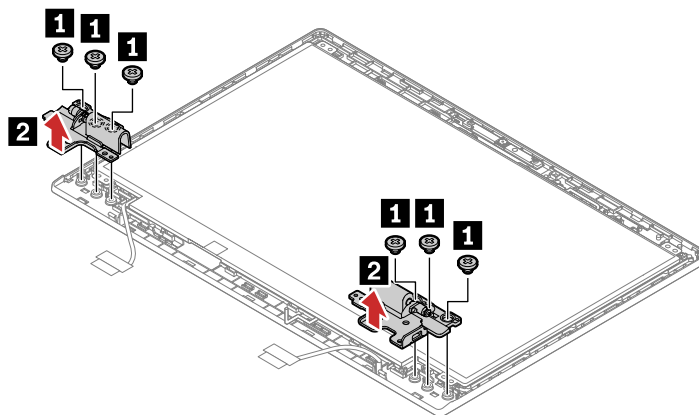
When installing: Ensure that the LCD connector is attached firmly.

2100 LCD hinges

For access, remove these FRUs in order:

- “1020 ThinkPad Pen Pro” on page 67
- “1030 Base cover assembly” on page 69
- “1090 Battery” on page 75
- “1180 LCD unit” on page 85
- “2080 LCD bezel” on page 102
- “2090 LCD panel and LCD cable ” on page 103

Removal steps of the LCD hinges



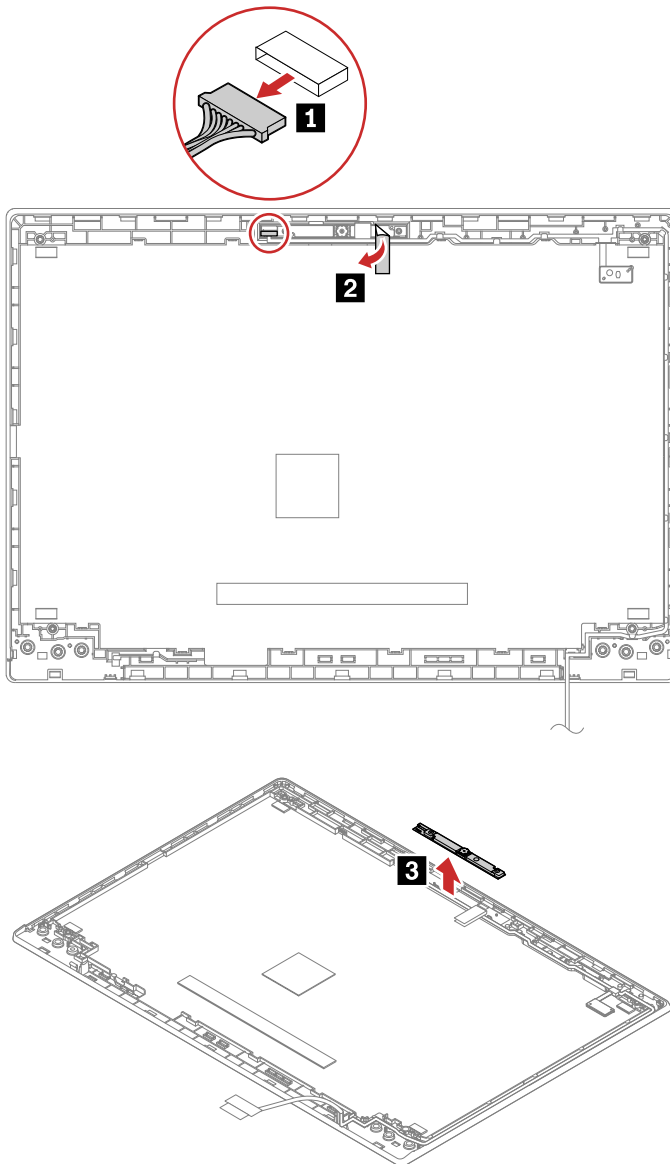
Step	Screw (quantity)	Color	Torque
1	M2.5 × 2.5 mm, wafer-head, nylon-coated (6)	Black	0.294 Nm (3.0 kgf-cm)

2110 RGB camera/microphone module with cable and LCD rear cover assembly

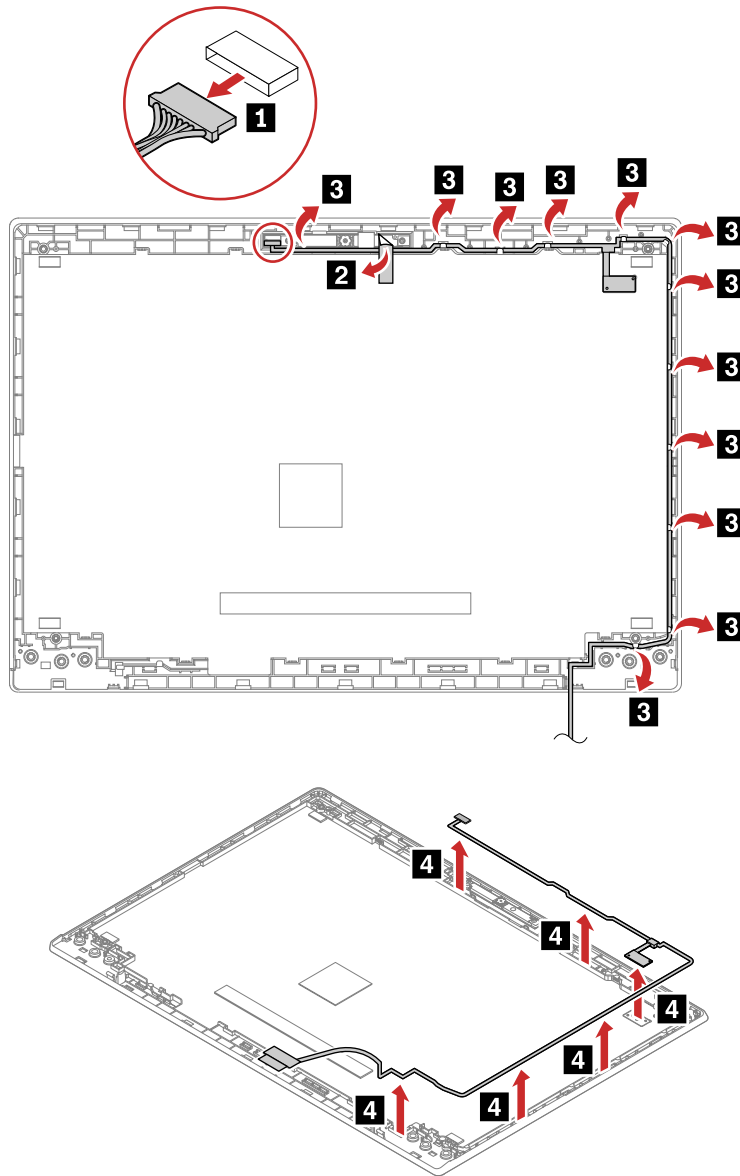
For access, remove these FRUs in order:

- “1020 ThinkPad Pen Pro” on page 67
- “1030 Base cover assembly” on page 69
- “1090 Battery” on page 75
- “1180 LCD unit” on page 85
- “2080 LCD bezel” on page 102
- “2090 LCD panel and LCD cable ” on page 103
- “2100 LCD hinges” on page 104

Removal steps of the RGB camera/microphone module



Removal steps of the RGB camera/microphone module/ThinkPad-logo-LED card cable and the LCD rear cover assembly



When installing: Ensure that the connector is attached firmly.

Appendix A. Notices

Lenovo may not offer the products, services, or features discussed in this document in all countries. Consult your local Lenovo representative for information on the products and services currently available in your area. Any reference to a Lenovo product, program, or service is not intended to state or imply that only that Lenovo product, program, or service may be used. Any functionally equivalent product, program, or service that does not infringe any Lenovo intellectual property right may be used instead. However, it is the user's responsibility to evaluate and verify the operation of any other product, program, or service.

Lenovo may have patents or pending patent applications covering subject matter described in this document. The furnishing of this document does not give you any license to these patents. You can send license inquiries, in writing, to:

*Lenovo (United States), Inc.
1009 Think Place - Building One
Morrisville, NC 27560
U.S.A.
Attention: Lenovo Director of Licensing*

LENOVO PROVIDES THIS PUBLICATION "AS IS" WITHOUT WARRANTY OF ANY KIND, EITHER EXPRESS OR IMPLIED, INCLUDING, BUT NOT LIMITED TO, THE IMPLIED WARRANTIES OF NON-INFRINGEMENT, MERCHANTABILITY OR FITNESS FOR A PARTICULAR PURPOSE. Some jurisdictions do not allow disclaimer of express or implied warranties in certain transactions, therefore, this statement may not apply to you.

This information could include technical inaccuracies or typographical errors. Changes are periodically made to the information herein; these changes will be incorporated in new editions of the publication. Lenovo may make improvements and/or changes in the product(s) and/or the program(s) described in this publication at any time without notice.

The products described in this document are not intended for use in implantation or other life support applications where malfunction may result in injury or death to persons. The information contained in this document does not affect or change Lenovo product specifications or warranties. Nothing in this document shall operate as an express or implied license or indemnity under the intellectual property rights of Lenovo or third parties. All information contained in this document was obtained in specific environments and is presented as an illustration. The result obtained in other operating environments may vary.

Lenovo may use or distribute any of the information you supply in any way it believes appropriate without incurring any obligation to you.

Any references in this publication to non-Lenovo Web sites are provided for convenience only and do not in any manner serve as an endorsement of those Web sites. The materials at those Web sites are not part of the materials for this Lenovo product, and use of those Web sites is at your own risk.

Any performance data contained herein was determined in a controlled environment. Therefore, the result obtained in other operating environments may vary significantly. Some measurements may have been made on development-level systems and there is no guarantee that these measurements will be the same on generally available systems. Furthermore, some measurements may have been estimated through extrapolation. Actual results may vary. Users of this document should verify the applicable data for their specific environment.

Electromagnetic emission notices

For electromagnetic emission information on Class B digital devices, refer to the corresponding information in the *User Guide*.



EU contact: Lenovo, Einsteinova 21, 851 01 Bratislava, Slovakia

Trademarks

Trademarks

LENOVO, LENOVO logo, THINKPAD, THINKPAD logo, TRACKPOINT, ULTRACONNECT, and Yoga are trademarks of Lenovo. Microsoft, Windows, Direct3D, BitLocker, and Cortana are trademarks of the Microsoft group of companies. Ubuntu is a registered trademark of Canonical Ltd. The terms HDMI and HDMI High-Definition Multimedia Interface are trademarks or registered trademarks of HDMI Licensing LLC in the United States and other countries. Wi-Fi, Wi-Fi Alliance, and Miracast are registered trademarks of Wi-Fi Alliance. USB-C is a trademark of USB Implementers Forum. All other trademarks are the property of their respective owners. © 2018 Lenovo.

Appendix B. Abbreviation and acronym table

The following table lists some abbreviations and acronyms which might be used in this manual.

Abbreviation	Term
BGA	Ball Grid Array
BIOS	basic input/output system
CMOS	complementary metal-oxide semiconductor
COA	Certificate of Authentication
CRC	cyclic redundancy check
CRT	cathode ray tube
CRU	customer-replaceable unit
CTO	Configure To Order
EAIA	Enhanced Asset Information Area
ECA	Engineering Change Announcements
EEPROM	Electrically Erasable Programmable Read-Only Memory
EFI	Extensible Firmware Interface
EPO	emergency power-off
ESD	electrostatic discharge
EU	European Union
FCC	Federal Communications Commission
FRU	Field Replaceable Unit
GAV	General Announce Variant
GPU	graphics processing unit
HDD	hard disk drive
HDMI	high-definition multimedia interface
ICs	integrated circuits
ICCID	integrate circuit card identity
ISO	International Standardization Organization
LAN	local area network
LCD	liquid crystal display
MAC	media access control
MT	machine type
MTM	machine type and model
PC	personal computer
PCH	Platform Controller Hub
POST	power-on self-test

Abbreviation	Term
RAM	random-access memory
RF	radio frequency
RFID	radio-frequency identification
RI	ring indicator
RJ	registered jack
SATA	Serial Advanced Technology Attachment
SIM	subscriber identity module
SVP	supervisor password
TFTs	thin-film transistors
UEFI	Unified Extensible Firmware Interface
USB	Universal Serial Bus
UUID	universally unique identifier
VGA	video graphics array
VRAM	video random-access memory
WAN	wide area network

The image shows the Lenovo logo, which consists of the word "Lenovo" in a white, sans-serif font centered within a solid black rectangular background.

Part Number: SP40G76717

Printed in China

(1P) P/N: SP40G76717

