

DS-2CD6W32FWD-IVSD

3 MP Ultra-Wide Angle Detention-Grade Network Camera



- 1/3" (3 MP) Progressive Scan CMOS
- Up to 2,048 x 1,536 Resolution, Real-Time Streaming
- 980 nm up to 30 ft (10 m)
- H.264 Video Compression
- True WDR, up to 120 dB
- Line Crossing and Intrusion Detection
- BLC/ROI
- Audio/Alarm, I0/RS-485
- Painted Aluminum Alloy Design
- IP66, IK10 Protection
- 12 VDC/PoE, 12 W

The DS-2CD6W32FWD-IVSD Series is designed to provide 24/7 surveillance for detention areas that require increased safety in a secure, vandal resistant installation.

The camera's unique corner-mount, anti-ligature design and IK10 impact rating ensures a safe and secure installation in the most demanding conditions.

The 2 mm ultra-wide angle lens provides a 135° horizontal and 98° vertical field of view and captures clear images without blind spots. The camera features a 3 MP progressive scan CMOS sensor and provides high-resolution images of up to 2048 × 1536 pixels. Integrated 980 nm LEDs offer invisible IR functionality up to 30 ft (10 m) in zero-light environments.

The DS-2CD6W32FWD-IVSD is a perfect solution for detention areas that require invisible IR capabilities, an anti-ligature design, and improved safety. Vandal and impact resistance improves the life of the camera and improves performance in the most demanding of applications.

Available models:
DS-2CD6W32FWD-IVSD



Specifications

DS-2CD6W32FWD-IVSD

Camera Module

Image Sensor	1/3" progressive scan CMOS
Minimum Illumination	0.1 Lux @ (F1.2, AGC ON), 0 Lux with IR
Shutter Time	1/25 to 1/100,000 s
Lens	2 mm, F2.4; Horizontal view: 135°, vertical view: 98°
Day and Night	True, IR Cut Filter Removal

Compression Standard

Video Compression	H.264
H.264 Type	Baseline / Main / High Profiles
Video Bit Rate	32 Kbps to 16 Mbps
Audio Compression	G.711 / G.726 / MP2L2
Audio Bit Rate	64 Kbps (G.711) / 16 Kbps (G.726) / 32 Kbps to 128 Kbps (MP2L2)

Image

Maximum Resolution	2,048 x 1,536
Main Stream	50 Hz: 2,048 x 1,536 @ 25 fps; 60 Hz: 2,048 x 1,536 @ 30 fps
Sub-Stream	50 Hz: 704 x 576 @ 25 fps; 60 Hz: 704 x 480 @ 30 fps
Digital Noise Reduction	3D DNR
Image Setting	Saturation, brightness, contrast, hue, sharpness, AGC, white balance
Wide Dynamic Range	120dB
Day/Night Switch	Auto/Schedule/Alarm Trigger
Region of Interest	Up to 4 fixed areas in each stream

Network

Network Storage	NAS (supports NFS, SMB / CIFS and 64 GB microSD / SDHC / SDXC cards)
Alarm Trigger	Line crossing detection, intrusion detection, motion detection, dynamic analysis, tampering alarm, network disconnect, IP address conflict, storage exception
Protocols	TCP/IP, ICMP, HTTP, HTTPS, FTP, DHCP, DNS, DDNS, RTP, RTSP, RTCP, ONVIF (PROFILE S, PROFILE G), PSIA, CGI, ISAPI, GB28181
Security	Reset, anti-flicker, heartbeat, password protection, video cover, watermark, IP address filtering, anonymous access

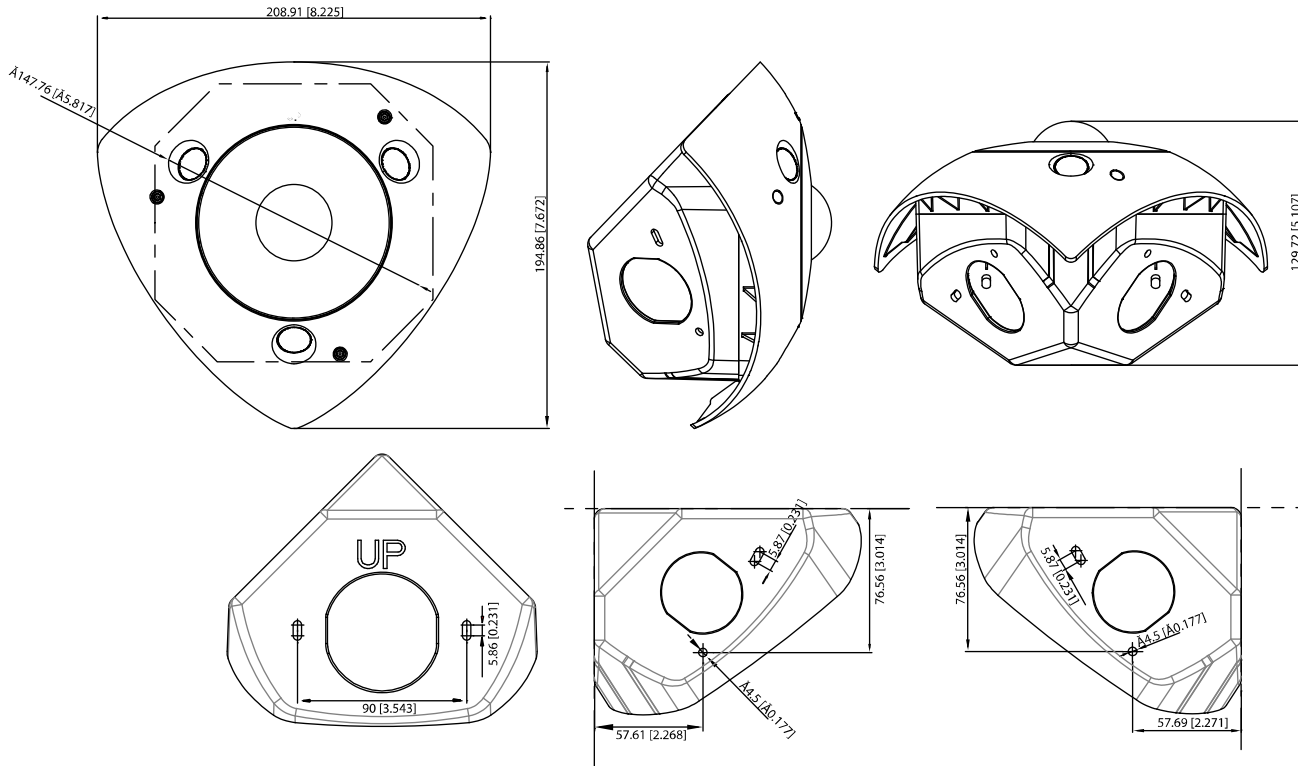
Interface

Communication Interface	1 RJ45 10M / 100M / 1000M Ethernet interface; 1 RS-485 interface
Audio Input	1 3.5 mm audio input interface,
Audio Output	1 3.5 mm audio output interface;
Alarm Input	1
Alarm Output	1
On-Board Storage	Built-in microSD / SDHC / SDXC slot, up to 64 GB

General

Operating Conditions	-22° F to 140° F (30° to 60° C)
Power Supply	12 VDC (maximum 12 W) / PoE (802.3af)
IR Performance	980 nm up to 30 ft (10 m)
Impact Protection	IEC60068-2-75Eh, 20J; EN50102, up to IK10
Ingress Protection level	IP66
Dimensions	Camera: 6.02" x 6.46" x 1.79" (152.8 x 164 x 45.5 mm); Mount: 8.23" x 7.67" x 4.48" (208.9 x 194.9 x 113.7 mm)
Weight	Approximately 4.41 lbs (2.0 kg)

Dimensions



Unit: mm (in)