



LG

Life's Good

ENGLISH

OWNER'S MANUAL

CINEMA 3D MONITOR

Please read this manual carefully before operating your set and retain it for future reference.

CINEMA 3D MONITOR MODEL

D2242P

D2542P

CONTENTS

3 ASSEMBLING AND PREPARING

- 3 Unpacking
- 4 Parts and buttons
- 6 Setting up the Monitor set
 - 6 - Attaching the Stand Base
 - 6 - Detaching the Stand Base and Body
- 7 - Mounting on a table
- 8 - Mounting on a wall

10 USING THE MONITOR SET

- 10 Connecting to a PC
 - 10 - D-SUB connection
 - 10 - DVI-D connection
 - 10 - HDMI connection

12 CUSTOMIZING SETTINGS

- 12 Accessing The Main Menus
- 13 Customizing Settings
 - 13 - Menu Settings
 - 14 - 3D Settings(Only 3D mode)
 - 14 - Volume Settings (Only supported in HDMI)
 - 15 - SUPER ENERGY SAVING Settings

16 TROUBLESHOOTING

18 TROUBLESHOOTING WHEN USING 3D MODE

19 SPECIFICATIONS

- 21 Preset Modes (Resolution)
- 21 HDMI 3D TIMING
- 21 Indicator

22 PRECAUTIONS TO TAKE WHEN VIEWING 3D IMAGES

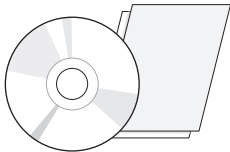
23 PROPER POSTURE

- 23 Proper posture for using the Monitor set.
- 23 Precautions to take when viewing 3D images

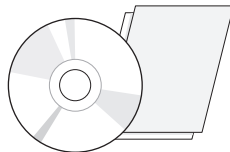
ASSEMBLING AND PREPARING

Unpacking

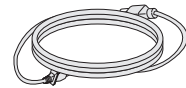
Check your product box for the following items. If there are any missing accessories, contact the local dealer where you purchased your product. The illustrations in this manual may differ from the actual product and accessories.



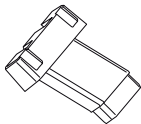
**CD(Owner's Manual) /
Card**



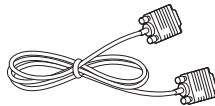
**TriDef 3D software Program CD /
Quick Installation Guide**



Power Cord

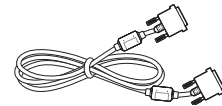


Stand Body



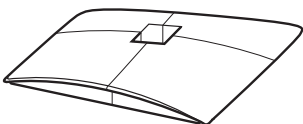
D-SUB Cable

(This signal cable may be attached
to this product before shipping out.)



DVI-D Cable

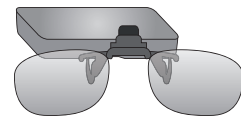
(This cable is not included in all
countries.)



Stand Base



**3D Glasses
(Normal type)**



**3D Glasses
(Clip-on type)**



CAUTION

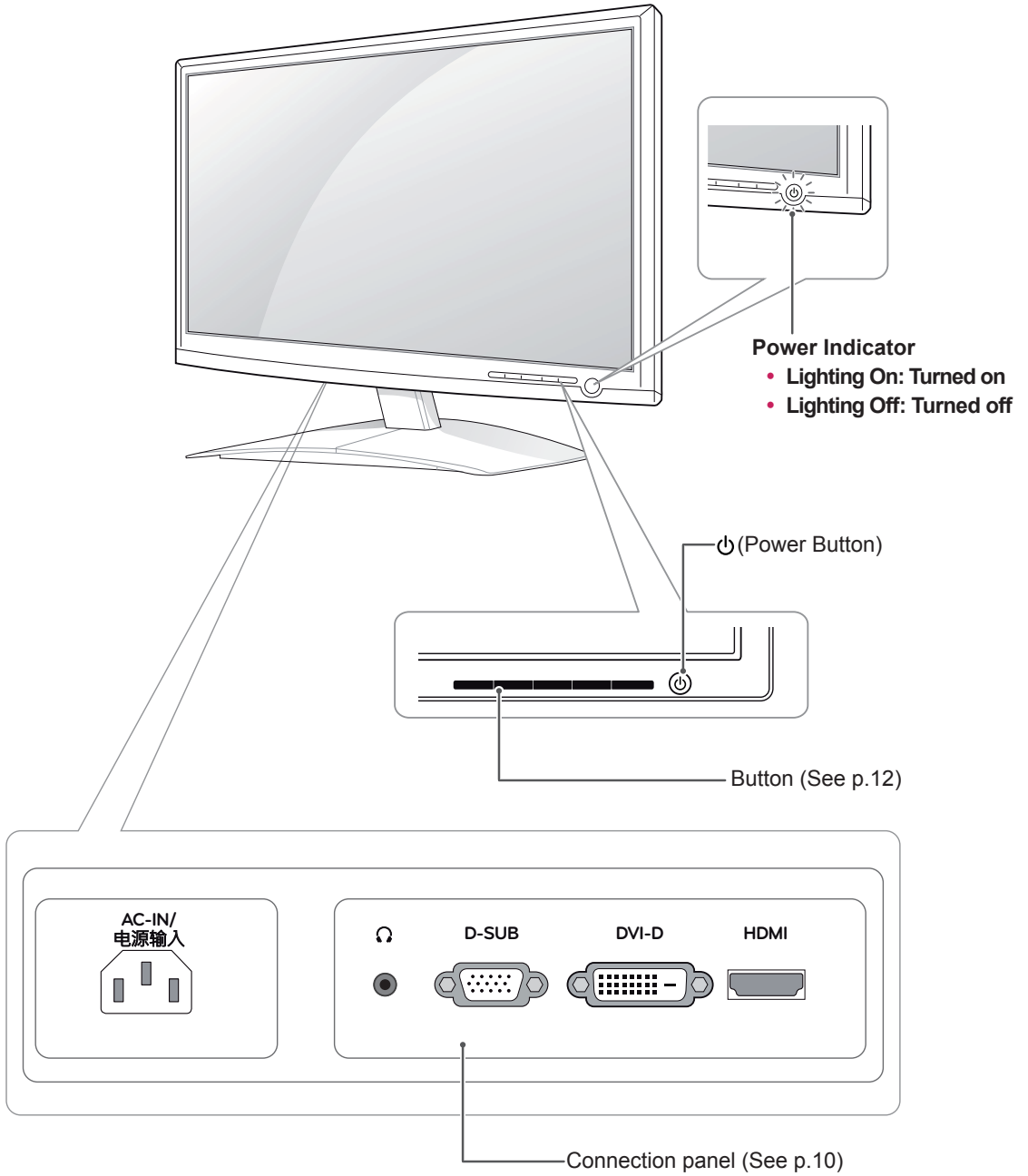
- Do not use any unapproved accessories to ensure the safety and product life span.
- Any damages or injuries by using unapproved accessories are not covered by the warranty.



NOTE

- The accessories supplied with your product may vary depending on the model.
- Product specifications or contents in this manual may be changed without prior notice due to upgrade of product functions.
- User should use shielded signal interface cables (RGB cable / DVI-D cable) with ferrite cores to maintain standard compliance for the product.

Parts and buttons



Button	Description		
MENU	Accesses the main menus.(See p.13)		
	<table border="1"> <tr> <td data-bbox="385 251 632 421">OSD LOCKED/ UNLOCKED</td> <td data-bbox="635 251 1221 421">This function allows you to lock the current control settings, so that they cannot be inadvertently changed. Press and hold the MENU button for several seconds. The message "OSD LOCKED" should appear. You can unlock the OSD controls at any time by pushing the MENU button for several seconds. The message "OSD UNLOCKED" should appear.</td> </tr> </table>	OSD LOCKED/ UNLOCKED	This function allows you to lock the current control settings, so that they cannot be inadvertently changed. Press and hold the MENU button for several seconds. The message "OSD LOCKED" should appear. You can unlock the OSD controls at any time by pushing the MENU button for several seconds. The message "OSD UNLOCKED" should appear.
	OSD LOCKED/ UNLOCKED	This function allows you to lock the current control settings, so that they cannot be inadvertently changed. Press and hold the MENU button for several seconds. The message "OSD LOCKED" should appear. You can unlock the OSD controls at any time by pushing the MENU button for several seconds. The message "OSD UNLOCKED" should appear.	
<table border="1"> <tr> <td data-bbox="385 425 632 479">SUPER ENERGY SAVING Button</td> <td data-bbox="635 425 1221 479">Use this button to enter SUPER ENERGY SAVING menu.For more information.(See p.15)</td> </tr> </table>	SUPER ENERGY SAVING Button	Use this button to enter SUPER ENERGY SAVING menu.For more information.(See p.15)	
SUPER ENERGY SAVING Button	Use this button to enter SUPER ENERGY SAVING menu.For more information.(See p.15)		
3D	3D display settings.(See p.14)		
AUTO	When adjusting your display settings, always press the AUTO button on the MONITOR SETUP OSD. (Only supported in Analog Mode)		
	<table border="1"> <tr> <td data-bbox="385 573 632 604">The best display mode</td> <td data-bbox="635 573 1221 604">1920 x 1080 (D2242P/D2542P)</td> </tr> </table>	The best display mode	1920 x 1080 (D2242P/D2542P)
The best display mode	1920 x 1080 (D2242P/D2542P)		
VOLUME (Only HDMI mode)	Adjust the volume of the Monitor set.(See p.14)		
INPUT	<p>You can choose the input signal.</p> <ul style="list-style-type: none"> • When two input signals are at least are connected, you can select the input signal (D-SUB/DVI/HDMI) you want. • When only one signal is connected, it is automatically detected. The default setting is D-SUB. 		
EXIT	Exit the OSD(On Screen Display).		
⏻ (Power Button)	Turns the power on or off.		
	<table border="1"> <tr> <td data-bbox="385 838 632 913">Power Indicator</td> <td data-bbox="635 838 1221 913">The power indicator stays blue if the display is running properly (On Mode). If the display is in Sleep Mode, the power indicator blinks blue.</td> </tr> </table>	Power Indicator	The power indicator stays blue if the display is running properly (On Mode). If the display is in Sleep Mode, the power indicator blinks blue.
Power Indicator	The power indicator stays blue if the display is running properly (On Mode). If the display is in Sleep Mode, the power indicator blinks blue.		

Setting up the Monitor set

Attaching the Stand Base

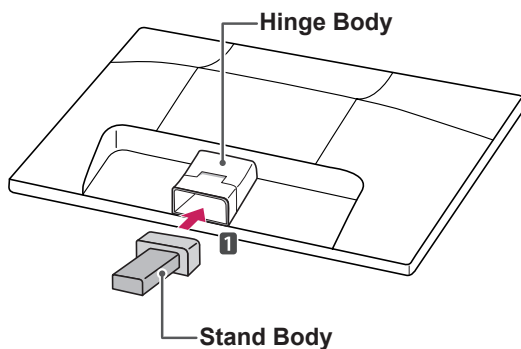
- 1 Place the Monitor set with the screen side down on a flat and cushioned surface.



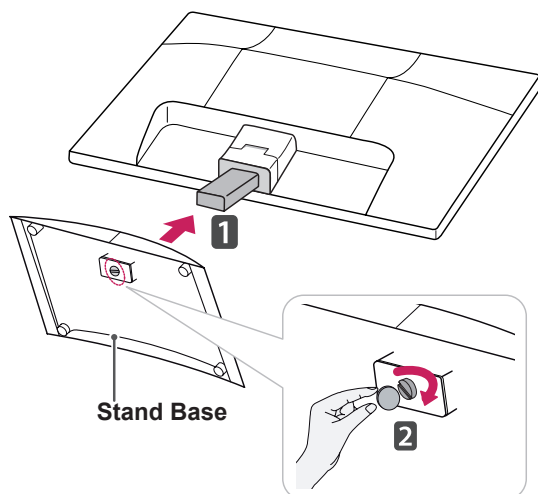
CAUTION

Lay a foam mat or soft protective cloth on the surface to protect the screen from damage.

- 2 Assemble the **Stand Body** into the product in the correct direction as shown in the picture. Make sure you push it until you hear it “click”.

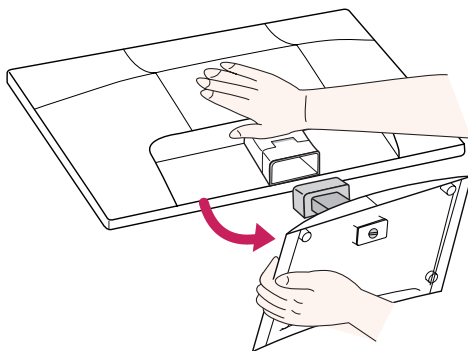


- 3 Attach the **Stand Base** and then tighten the screw to the right with a **Coin**.

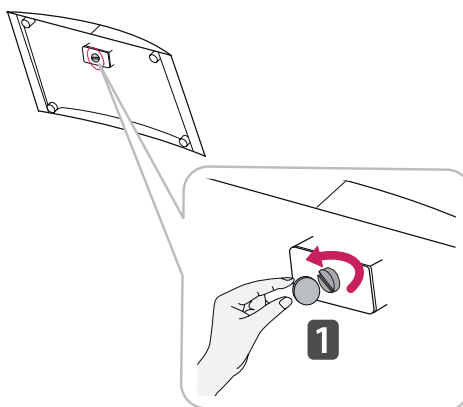


Detaching the Stand Base and Body

- 1 Place the Monitor set with the screen side down on a flat and cushioned surface.
- 2 Pull out the **Stand Base** and **Stand Body** from the Monitor set.



- 3 Turn the screw to the left with a **Coin**, and then pull out the **Stand Base** from the **Stand Body**.

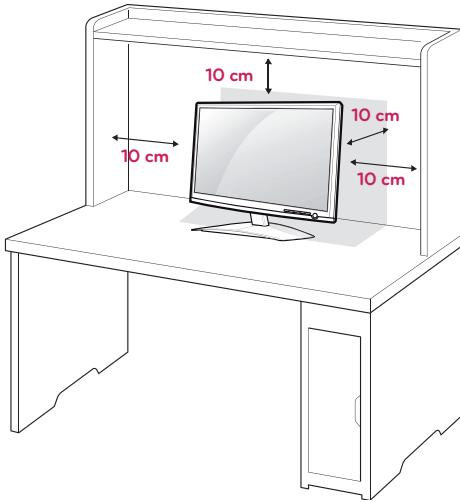


CAUTION

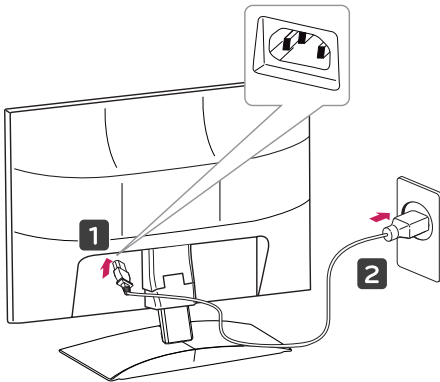
- This illustration depicts the general model of connection. Your monitor may differ from the items shown in the picture.
- Do not carry the product upside down holding only the stand base. The product may fall and get damaged or injure your foot.

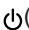
Mounting on a table

- Lift and tilt the Monitor set into its upright position on a table.
Leave a 10 cm (minimum) space from the wall for proper ventilation.



- Connect the **Power Cord** to a wall outlet.



- Press  (Power) button on the front switch panel to turn the power on.



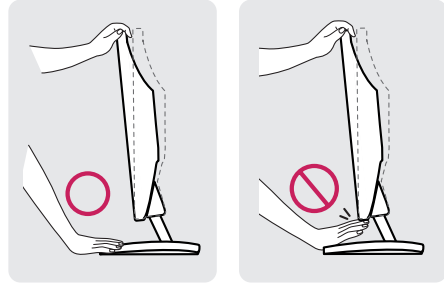
CAUTION

Unplug the power cord before moving the Monitor to another location. Otherwise electric shock may occur.

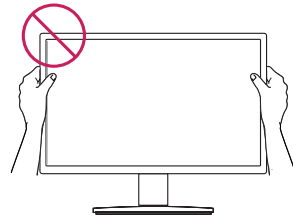


WARNING

When you adjust the angle, do not hold the bottom of the Monitor set frame as shown on the following illustration, as may injure your fingers.

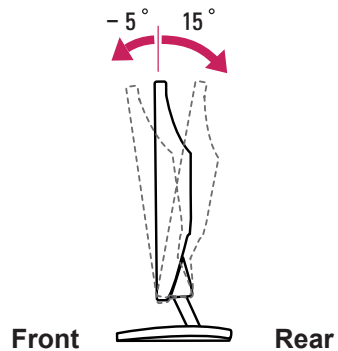


Do not touch or press the screen when adjusting the angle of the monitor.



NOTE

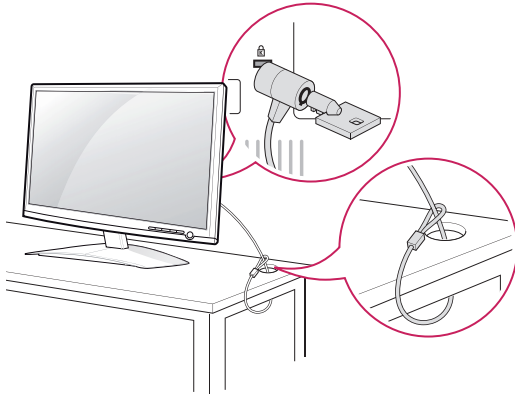
Tilt from +15 to -5 degrees up or down to adjust the angle of the Monitor set to suit your view.



Using the Kensington security system

The Kensington security system connector is located at the back of the Monitor set. For more information of installation and using, refer to the manual supplied with the Kensington security system or visit <http://www.kensington.com>.

Connect the Kensington security system cable between the Monitor set and a table.

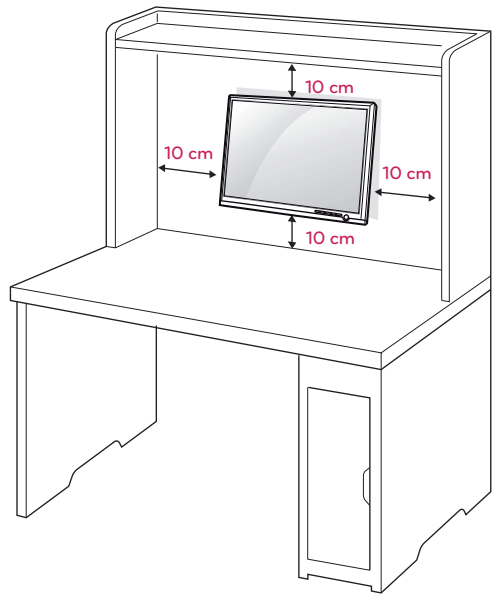


! NOTE

The Kensington security system is optional. You can obtain it from most electronics stores.

Mounting on a wall

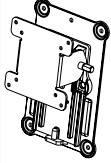
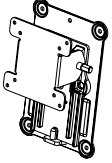
For proper ventilation, allow a clearance of 10 cm on each side and from the wall. Detailed instructions are available from your dealer, see the optional Tilt Wall Mounting Bracket Installation and Setup Guide.



When you install the Monitor set using a wall mounting interface (optional parts), attach it carefully so it will not drop.

Please use VESA standard as below.

- 784.8 mm (30.9 inch) and under
 - * Wall Mount Pad Thickness : 2.6 mm
 - * Screw : Φ 4.0 mm x Pitch 0.7 mm x Length 10 mm
- 787.4 mm (31.0 inch) and above
 - * Please use VESA standard wall mount pad and screws.

Model	D2242P	D2542P
VESA (A x B)	75 x 75	100 x 200
Standard screw	M4	M4
Number of screws	4	4
Wall mount bracket (optional)	RW120 	RW120 

**CAUTION**

- Disconnect the power cord first, and then move or install the Monitor set. Otherwise electric shock may occur.
- If you install the Monitor set on a ceiling or slanted wall, it may fall and result in severe injury.
- Use only an authorized LG wall mount and contact the local dealer or qualified personnel.
- Do not over tighten the screws as this may cause damage to the Monitor set and void your warranty.
- Use only screws and wall mounts that meet the VESA standard. Any damages or injuries by misuse or using an improper accessory are not covered by the warranty.

**NOTE**

- Use the screws that are listed on the VESA standard screw specifications.
- The wall mount kit will include an installation manual and necessary parts.
- The wall mount bracket is optional. You can obtain additional accessories from your local dealer.
- The length of screws may differ depending on the wall mount. Be sure to use the proper length.
- For more information, refer to the instructions supplied with the wall mount.

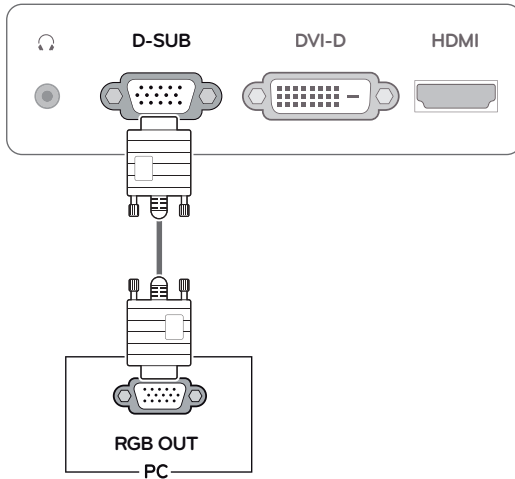
USING THE MONITOR SET

Connecting to a PC

- Your Monitor set supports Plug & Play*.
- *Plug & Play: A PC recognizes a connected device that users connect to a PC and turn on, without device configuration or user intervention.

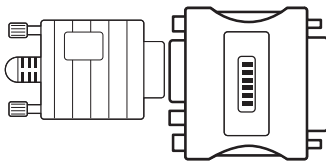
D-SUB connection

Transmits analog video from your PC to the Monitor set. Connect the PC and the Monitor set with the supplied D-sub 15 pin signal cable as shown in the following illustrations.



NOTE

- When using a D-Sub signal input cable connector for Macintosh

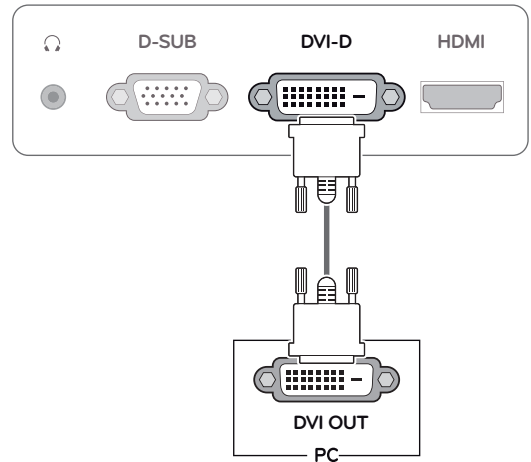


Mac adapter

For Apple Macintosh use, a separate plug adapter is needed to change the 15 pin high density (3 row) D-SUB VGA connector on the supplied cable to a 15 pin 2 row connector.

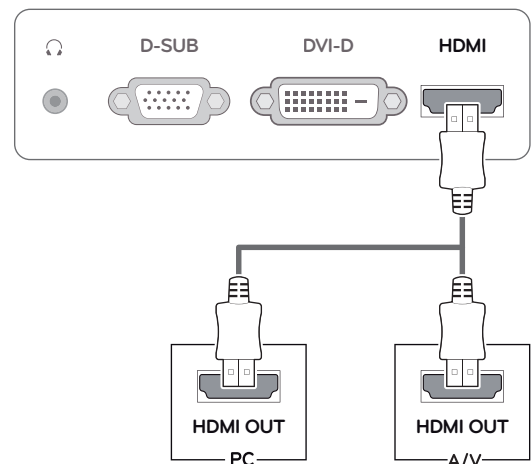
DVI-D connection

Transmits a digital video signal from your PC to the Monitor set. Connect the PC and the Monitor set with a DVI cable as shown in the following illustrations.



HDMI connection

Transmits the digital video and audio signals from your PC or A/V to the Monitor set. Connect the PC or A/V and the Monitor set with the HDMI cable as shown in the following illustrations.

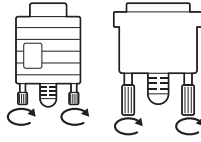


NOTE

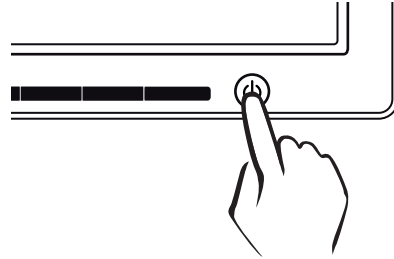
- If you use HDMI PC, it can cause compatibility problem.

**CAUTION**

- Connect the signal input cable and tighten it by turning the screws clockwise.
- Do not press the screen with your finger for a long time as this may result in temporary distortion on the screen.
- Avoid displaying a fixed image on the screen for a long period of time to prevent image burn. Use a screensaver if possible.

**Self Image Setting Function**

Press the power button on the front panel to turn the power on. When monitor power is turned on, the **"Self Image Setting"** Function is executed automatically. (Only supported in Analog Mode)

**NOTE**

- When you want to use two PC in our Monitor, please connect the signal cable(D-SUB/ DVI-D/HDMI) respectively in Monitor set.
- If you turn the Monitor set on while it is cold, the screen may flicker. This is normal.
- Some red, green, or blue spots may appear on the screen. This is normal.

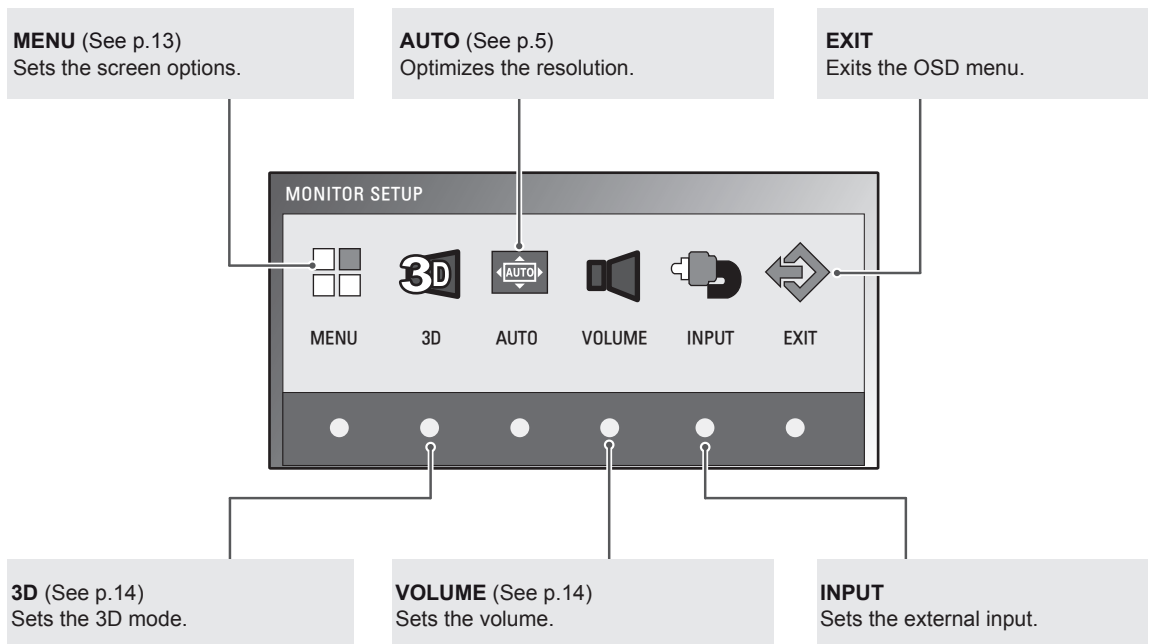
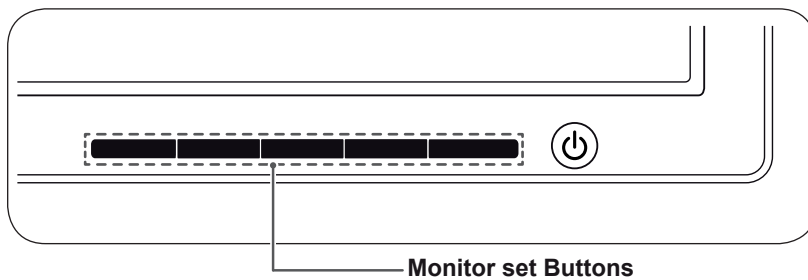
**NOTE**

- **"Self Image Setting" Function.**
This function provides the user with optimal display settings. When the user connects the monitor for the first time, this function automatically adjusts the display to optimal settings for individual input signals. (Only supported in Analog Mode)
- **'AUTO' Function.**
When you encounter problems such as blurry screen, blurred letters, screen flicker or tilted screen while using the device or after changing screen resolution, press the AUTO function button to improve resolution. (Only supported in Analog Mode)

CUSTOMIZING SETTINGS

Accessing The Main Menus

- 1 Press any button on the front of the Monitor set to display the **MONITOR SETUP** OSD menu.
- 2 Press the desired menu item.
- 3 Change the value of the menu item by pressing the buttons on the front of the Monitor set.
To return to the upper menu or set other menu items, use the up arrow (↑) button.
- 4 Select **EXIT** to leave the OSD menu.



NOTE

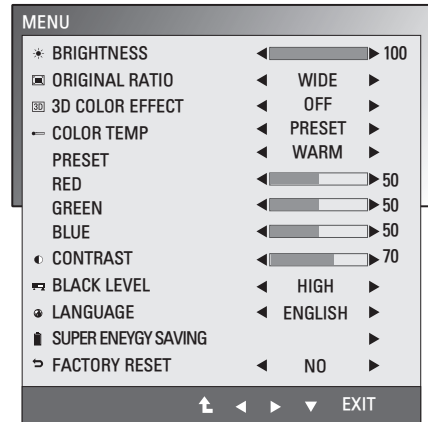
Different menu items are enabled depending on the type of input signal.

- **D-SUB / DVI Mode:** MENU, 3D, AUTO, INPUT, EXIT
- **HDMI Mode:** MENU, 3D, VOLUME, INPUT, EXIT

Customizing Settings

Menu Settings

- 1 Press any button on the front of the Monitor set to display the **MONITOR SETUP** OSD menu.
- 2 Press the **MENU** button to display the options in the OSD menu.
- 3 Set the options by pressing the buttons on the front of the Monitor set.
- 4 Select **EXIT** to leave the OSD menu.
To return to the upper menu or set other menu items, use the up arrow (↑) button.



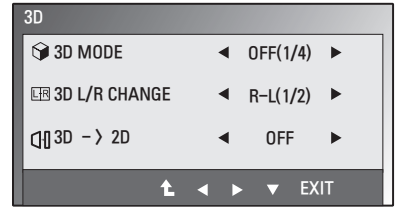
The available program settings are described below.

Menu	Analog	Digital	HDMI	Description
BRIGHTNESS	•	•	•	Adjusts the brightness of the screen.
ORIGINAL RATIO	•	•	•	WIDE
				Switch to full screen mode according to input image signal.
3D COLOR EFFECT	•	•	•	ORIGINAL
				Change the input image signal ratio to original. * This function works only if input resolution is lower than Monitor set ratio (16:9).
COLOR TEMP EFFECT	•	•	•	The picture quality is optimized at the 3D mode.
COLOR TEMP	•	•	•	PRESET
				Select the screen color. • WARM : Set the screen to warm color temperature (more red). • MEDIUM : Set the screen to medium color temperature. • COOL : Set the screen to cool color temperature (More blue).
				USER
				• RED : Set your own red color levels. • GREEN : Set your own green color levels. • BLUE : Set your own blue color levels.
CONTRAST	•	•	•	Adjusts the contrast of the screen.
BLACK LEVEL (Only supported in HDMI mode)			•	You can set the offset level. If you select 'HIGH', the screen will be bright and if you select 'LOW', the screen will be dark. • Offset : As the criteria for video signal, it is the darkest screen the monitor can show.
LANGUAGE	•	•	•	Changes the menu language.
SUPER ENERGY SAVING	•	•	•	Sets the SUPER ENERGY SAVING function.
FACTORY	•	•	•	Returns the monitor to original factory settings.

- **Analog**: D-SUB(Analog signal) input.
- **Digital**: DVI-D(Digital signal) input.
- **HDMI**: HDMI(Digital signal) input.

3D Settings(Only 3D mode)

- 1 Press any button on the front of the Monitor set to display the **MONITOR SETUP** OSD menu.
- 2 Press the **3D** button to display the options in the OSD menu.
- 3 Set the options by pressing the buttons on the front of the Monitor set.
- 4 Select **EXIT** to leave the OSD menu.
To return to the upper menu or set other menu items, use the up arrow (↑) button.

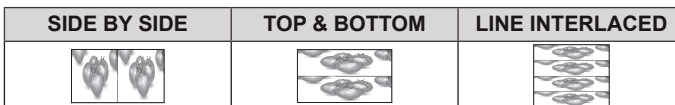


The available picture settings are described below.

Menu	Description	
3D MODE	Select the format of 3D video data. (Enabled only for HDMI VIDEO TIMING)	
	SIDE BY SIDE	Left and right pictures are arranged in Side by Side layout.
	TOP & BOTTOM	Left and right pictures are arranged in Top and Bottom layout.
	LINE INTERLACED	Left and right pictures are arranged in line by line.
	OFF	Turns off 3D Mode.
3D L/R CHANGE	Changes which frame is shown to each eye.	
	R-L	Odd lines are Right picture and even lines are Left picture.
	L-R	Odd lines are Left picture and even lines are Right picture.
3D -> 2D	Converts 3D images into 2D. (Enabled only for HDMI VIDEO TIMING)	
	OFF	Displays images in 3D.
	ON	Displays images in 2D.

NOTE

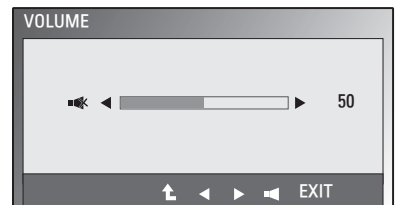
- 3D Mode.



- If the 3D option selected is incorrect, images may not be displayed properly.

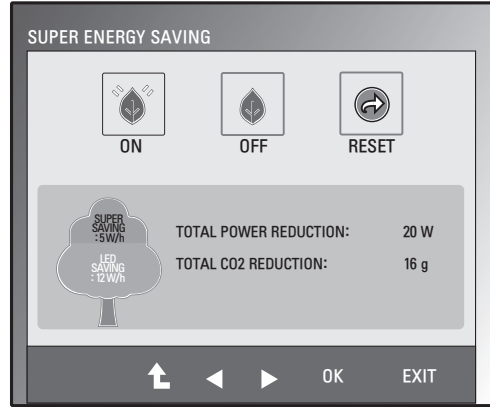
Volume Settings (Only supported in HDMI)

- 1 Press any button on the front of the Monitor set to display the **MONITOR SETUP** OSD menu.
- 2 Press the **VOLUME** button to display the options in the OSD menu.
- 3 Set the options by pressing the buttons on the front of the Monitor set.
- 4 Select **EXIT** to leave the OSD menu.
To return to the upper menu or set other menu items, use the up arrow (↑) button.



SUPER ENERGY SAVING Settings

- 1 Press any button on the front of the Monitor set to display the **MONITOR SETUP** OSD menu.
- 2 Press the **MENU** button to display the options in the OSD menu.
- 3 Select **SUPER ENERGY SAVING** by pressing the buttons on the front of the Monitor set and set the options.
- 4 Select **EXIT** to leave the OSD menu.
To return to the upper menu or set other menu items, use the up arrow (↑) button.



The available picture settings are described below.

Menu	Description
ON	Enables SUPER ENERGY SAVING you can save energy with this energy-efficient function.
OFF	Disables SUPER ENERGY SAVING.
RESET	Resets the values of total energy consumption reduction and CO2 emission reduction estimates.

! NOTE

- **TOTAL POWER REDUCTION:** How much power is saved while using the monitor.
- **TOTAL CO2 REDUCTION:** Change the TOTAL POWER REDUCTION to CO2.
- **SAVING DATA(W/h)**

	546 mm(22 inch)	634 mm(25 inch)
SUPER SAVING	4 W/h	5 W/h
LED SAVING	15 W/h	12 W/h

- Saving Data depends on the Panel. So, those values should be different from each panel and panel vendor.
- LG calculated these values by using “**broadcast video signal**”.
- LED Saving refers to how much power can be saved using a WLED Panel instead of CCFL panel.
- SUPER SAVING refers to how much power can be saved using the SUPER ENERGY SAVING function.

TROUBLESHOOTING

Check the following before calling for service.

No image appears	
Is the power cord of the display connected?	<ul style="list-style-type: none"> • Check and see if the power cord is connected properly to the power outlet.
Is the power indicator light on?	<ul style="list-style-type: none"> • Press the Power button.
Is the power on and the power indicator blue or green?	<ul style="list-style-type: none"> • Adjust the brightness and the contrast.
Is the power indicator flickering?	<ul style="list-style-type: none"> • If the display is in power saving mode, try moving the mouse or pressing any key on the keyboard to bring up the screen. • Try to turn on the PC.
Do you see an "OUT OF RANGE" message on the screen?	<ul style="list-style-type: none"> • This message appears when the signal from the PC (video card) is out of horizontal or vertical frequency range of the display. See the 'Specifications' section of this manual and configure your display again.
Do you see a "CHECK SIGNAL CABLE" message on the screen?	<ul style="list-style-type: none"> • This message appears when the signal cable between your PC and your display is not connected. Check the signal cable and try again.

Do you see a "OSD LOCKED" message on the screen?	
Do you see "OSD LOCKED" when you push MENU button?	<ul style="list-style-type: none"> • You can secure the current control settings, so that they cannot be inadvertently changed. You can unlock the OSD controls at any time by pushing the MENU button for several seconds: the message "OSD UNLOCKED" will appear.

Display image is incorrect	
Display Position is incorrect.	<ul style="list-style-type: none"> • Press the AUTO button to automatically adjust your display image to the ideal setting.
On the screen background, vertical bars or stripes are visible.	<ul style="list-style-type: none"> • Press the AUTO button to automatically adjust your display image to the ideal setting.
Any horizontal noise appearing in any image or characters are not clearly portrayed.	<ul style="list-style-type: none"> • Press the AUTO button to automatically adjust your display image to the ideal setting. • Check Control Panel ► Display ► Settings and adjust the display to the recommended resolution or adjust the display image to the ideal setting. Set the color setting higher than 24 bits (true color).

**CAUTION**

- Check **Control Panel ► Display ► Settings** and see if the frequency or the resolution were changed. If yes, readjust the video card to the recommend resolution.
- If the recommended resolution (optimal resolution) is not selected, letters may be blurred and the screen may be dimmed, truncated or biased. Make sure to select the recommend resolution.
- The setting method can differ by computer and O/S (Operation System), and resolution mentioned above may not be supported by the video card performance. In this case, please ask to the computer or the video card manufacturer.

Display image is incorrect

The screen color is mono or abnormal.	<ul style="list-style-type: none"> • Check if the signal cable is properly connected and use a screwdriver to fasten if necessary. • Make sure the video card is properly inserted in the slot. • Set the color setting higher than 24 bits (true color) at Control Panel ► Settings.
The screen blinks.	<ul style="list-style-type: none"> • Check if the screen is set to interlace mode and if yes, change it to the recommend resolution.

Do you see an "Unrecognized monitor, Plug&Play (VESA DDC) monitor found" message?

Have you installed the display driver?	<ul style="list-style-type: none"> • Be sure to install the display driver from the display driver CD (or diskette) that comes with your display. Or, you can also download the driver from our web site: http://www.lg.com. • Make sure to check if the video card supports Plug&Play function.
--	--

TROUBLESHOOTING WHEN USING 3D MODE

I can see a swirling oil-like pattern on the monitor when the monitor is turned off.

- This is caused by the interference of external light in the air layer between the LCD surface and 3D filter. The pattern becomes almost invisible when you turn on the power again.

I cannot see 3D image properly

If you are not using the glasses provided with the monitor,	<ul style="list-style-type: none"> • When you view 3D images with this monitor, it is very important that you use the glasses provided with the monitor. The glasses are designed to compensate optically for the 3D filter attached to the surface of the monitor. If you wear third-party glasses, you may not see 3D images properly on the monitor.
If you view 3D images outside the optimal viewing angle or distance,	<ul style="list-style-type: none"> • The optimal viewing angle of the monitor is 12° in vertical direction while 80° in horizontal direction; the optimal viewing distance is between 50 cm to 90 cm from the monitor. When you view 3D images outside the optimal viewing angle or viewing distance, the images may look overlapped or not be displayed properly in 3D.
If you have not set the resolution,	<ul style="list-style-type: none"> • Please set the resolution of the monitor to the maximum (1920 x 1080 @ 60 Hz) in the display settings. The 3D software may not work properly if the resolution is not set to the maximum.
If the images that your left and right eyes see are reversed,	<ul style="list-style-type: none"> • The stripe images in the odd-numbered lines are the ones that your right eye sees on the monitor. If you only see the stripe images, not 3D images, set the images for your right eye to be displayed in the odd-numbered lines by changing the player or viewer option of the 3D software.
I cannot see 3D but only 2D images.	<ul style="list-style-type: none"> • This monitor works both in 2D and 3D mode. You can view a video in 3D if it is made in 3D. If you try to view 2D images in 3D, they might not be displayed properly or you may experience poor picture quality.
If the 'TriDef 3D' couldn't work properly	<ul style="list-style-type: none"> • The minimum system requirements on PC to run the 'TriDef 3D' : <ul style="list-style-type: none"> » Intel® Core 2 Duo or AMD Athlon™ 64 X2 Dual-Core CPU or better » 1GB RAM » NVIDIA® GeForce® 8600 GT or ATI X1650 XT » 500MB free disk space » Windows® XP (SP2) (32 bit only), Windows® Vista (32 bit only) or Windows® 7 (32 or 64 bit) » DirectX 9.0c compatible sound card » Internet connection » DVD-ROM drive » Network card » DirectX 9.0c

SPECIFICATIONS

D2242P

Display	Screen Type	54.6 cm (21.5 inch) Flat Panel Active matrix-TFT LCD Anti-Glare coating Visible diagonal size: 54.6 cm
	Pixel Pitch	0.248 mm x 0.248 mm (Pixel Pitch)
Sync Input	Horizontal Frequency	30 kHz to 83 kHz (Automatic)
	Vertical Frequency	56Hz to 75Hz (D-SUB, DVI-D) 56Hz to 61Hz (HDMI)
	Input Form	Separate Sync. Digital
Video Input	Signal Input	15 pin D-SUB Connector /DVI-D Connector (Digital) HDMI Connector
	Input Form	RGB Analog (0.7 Vp-p/ 75 ohm), Digital
Resolution	Max	D-SUB(Analog) : 1920 x 1080 @ 60 Hz DVI / HDMI (Digital) : 1920 x 1080 @ 60 Hz
	Recommend	VESA 1920 x 1080 @ 60 Hz
Plug & Play	DDC 2B(Analog,Digital,HDMI)	
Power Consumption	On Mode : 34 W(Typ.) Sleep Mode ≤ 0.5 W Off Mode ≤ 0.5 W	
Power Input	AC 100-240 V~ 50 / 60 Hz 1.0 A	
Dimensions (Width x Height x Depth)	With Stand	50.9 cm x 38.8 cm x 16.6 cm
	Without Stand	50.9 cm x 32.2 cm x 5.8 cm
Weight	3.0 kg	
Tilt Range	-5° to 15°	
Environmental conditions	Operating Temperature	10°C to 35 °C
	Operating Humidity	20 % to 80 %
	Storage Temperature	-10°C to 60 °C
	Storage Humidity	5 % to 90 % non-Condensing
Stand Base	Attached (), Detached (O)	
Power cord	Wall-outlet type	

Product specifications shown above may be changed without prior notice due to upgrade of product functions.

SPECIFICATIONS

D2542P

ENGLISH

Display	Screen Type	63.4 cm (25 inch) Flat Panel Active matrix-TFT LCD Anti-Glare coating Visible diagonal size: 63.4 cm
	Pixel Pitch	0.288 mm x 0.288 mm (Pixel Pitch)
Sync Input	Horizontal Frequency	30 kHz to 83 kHz (Automatic)
	Vertical Frequency	56Hz to 75Hz (D-SUB, DVI-D) 56Hz to 61Hz (HDMI)
	Input Form	Separate Sync. Digital
Video Input	Signal Input	15 pin D-SUB Connector /DVI-D Connector (Digital) HDMI Connector
	Input Form	RGB Analog (0.7 Vp-p/ 75 ohm), Digital
Resolution	Max	D-SUB(Analog) : 1920 x 1080 @ 60 Hz DVI / HDMI (Digital) : 1920 x 1080 @ 60 Hz
	Recommend	VESA 1920 x 1080 @ 60 Hz
Plug & Play	DDC 2B(Analog,Digital,HDMI)	
Power Consumption	On Mode : 39 W(Typ.) Sleep Mode ≤ 0.5 W Off Mode ≤ 0.5 W	
Power Input	AC 100-240 V~ 50 / 60 Hz 1.2 A	
Dimensions (Width x Height x Depth)	With Stand	59.4 cm x 43.3 cm x 17.9 cm
	Without Stand	59.4 cm x 37.1 cm x 6.1 cm
Weight	4.4 kg	
Tilt Range	-5° to 15°	
Environmental conditions	Operating Temperature	10°C to 35 °C
	Operating Humidity	20 % to 80 %
	Storage Temperature	-10°C to 60 °C
	Storage Humidity	5 % to 90 % non-Condensing
Stand Base	Attached (), Detached (O)	
Power cord	Wall-outlet type	

Product specifications shown above may be changed without prior notice due to upgrade of product functions.

Preset Modes (Resolution)

Display Modes (Resolution)	Horizontal Frequency(kHz)	Vertical Frequency(Hz)	Polarity(H/V)	
720 x 400	31.468	70	-/+	
640 x 480	31.469	60	-/-	
640 x 480	37.500	75	-/-	
800 x 600	37.879	60	+/+	
800 x 600	46.875	75	+/+	
1024 x 768	48.363	60	-/-	
1024 x 768	60.123	75	+/+	
1152 x 864	67.500	75	+/+	
1280 x 1024	63.981	60	+/+	
1680 x 1050	65.290	60	-/+	
1920 x 1080	67.500	60	+/+	Recommend Mode

HDMI 3D TIMING

3D Format	Resolution	Refresh Rate	Limitation
Frame Packing	1080 p	24 Hz	
Frame Packing	720 p	50/60 Hz	
Side-by-Side(Half)	1080 p	50/60 Hz	
Side-by-Side(Half)	1080 i	50/60 Hz	
Side-by-Side(Half)	720 p	50/60 Hz	
Top-and-Bottom	1080 p	50/60 Hz	
Top-and-Bottom	1080 p	24 Hz	
Top-and-Bottom	720 p	50/60 Hz	

Indicator

Mode	LED Color
On Mode	Blue
Sleep Mode	Blinking Blue
Off Mode	Off

PRECAUTIONS TO TAKE WHEN VIEWING 3D IMAGES

- 1 If you view images in the 3D mode for a long period of time (playing games, watching movies etc.), you may feel dizzy. We strongly recommend you to take a rest after one hour of viewing 3D. (The time of experiencing dizziness varies depending on the individual.)
- 2 Please view 3D images at the optimal viewing angle and at the recommended distance from the product. Otherwise, 3D images may appear to be overlapped or may not be displayed properly.
- 3 If you view 3D images too closely for a long period of time, this may result in dizziness or blurred vision. Please use the device at the recommended distance.
- 4 If you are pregnant, elderly or have heart problems, we recommend that you do not view 3D images. This is because the 3D images can cause disorientation and confusion.
- 5 3D images can also cause nausea or vomiting for users under the influence of alcohol. In this situation, please do not view 3D images.
- 6 Parents/guardians should monitor children's viewing of 3D images because they may not be used to the 3D viewing experience and lack knowledge on how to handle potential risks.
- 7 Do not use the 3D glasses as regular glasses, sunglasses or goggles. This may cause your vision to worsen.
- 8 Do not keep the 3D glasses in an extremely hot or cold place. This may the shape of the glasses to change and become damaged. Do not use the 3D glasses if they are damaged because this may cause your vision to worsen, or you may experience dizziness.
- 9 The lenses of the 3D glasses (polarizing film) are easily scratched. Use a soft clean cloth when cleaning them. Do not use any chemical cleaning products on the glasses.



CAUTION

Warning about photosensitivity seizures

- Some users may have a seizure or other abnormal symptoms when they are exposed to a flashing light or particular pattern in a video game or movie. If anyone in your family has a history of epilepsy or has ever experienced any kind of seizure, please consult with your doctor before viewing 3D images. If you exhibit any of the symptoms listed below when viewing 3D images, please stop viewing immediately and consult with your doctor even if you do not have previous medical problems of this nature.

Symptoms

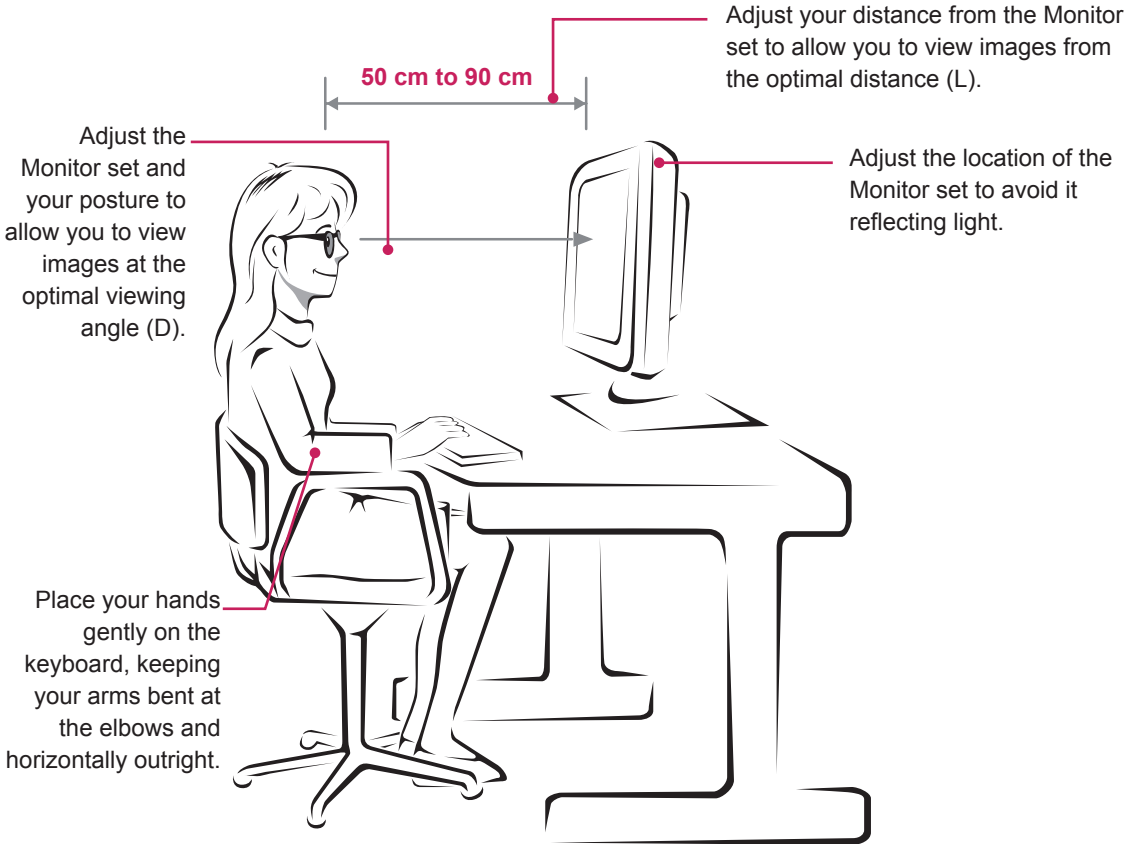
- Dizziness, blurred vision or facial tics, involuntary movements, twitching, blackouts, confusion, disorientation and wrong state.

To prevent a photosensitivity seizure, please follow the instructions below.

- Do not view 3D images when you are tired or ill.
- Do not view 3D images for a long period of time.
- Reduce the depth of the 3D image.

PROPER POSTURE

Proper posture for using the Monitor set.



Mode	Size(Inch)	Optimal viewing distance (L)	Optimal viewing angle (D)
When viewing 3D images	54.6 cm/63.4 cm	50 cm to 90 cm	12°

Precautions to take when viewing 3D images

- Wear the 3D glasses provided with the Monitor set.
- Watch your posture.
- Remain at the optimal distance and angle when viewing 3D images. (Viewing 3D images too closely may cause your vision to worsen, or you may experience dizziness.)



Make sure to read the Safety Precautions before using the product.

Keep the Owner's Manual (CD) in an accessible place for future reference.

The model and serial number of the SET is located on the back and one side of the SET.

Record it below should you ever need service.

MODEL _____

SERIAL _____

ENERGY STAR is a set of power-saving guidelines issued by the U.S. Environmental Protection Agency (EPA).



As an ENERGY STAR Partner LGE U. S. A., Inc. has determined that this product meets the ENERGY STAR guidelines for energy efficiency.