

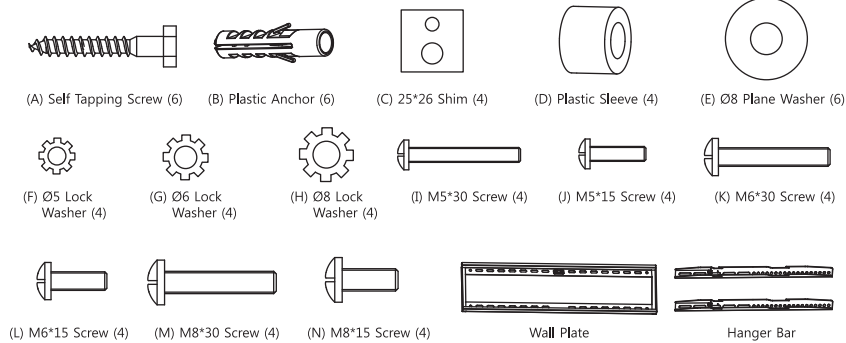
ProColor Series1 Wall Mount | Installation Instructions

1. Product Information

Weight : 2.84kg
 Applicable Hanging Sizes : 32"~90"
 Applicable Hanging Weights : ~100Kg
 Distance from Wall : 40mm

2. Parts List

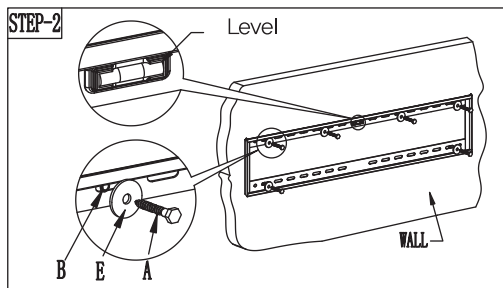
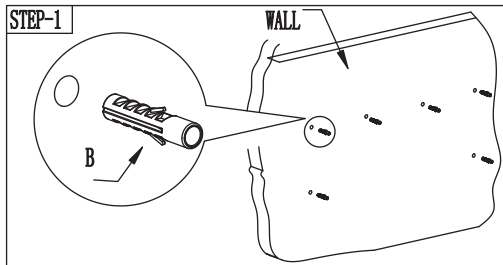
Please check the following list and compare it with the components you received in the package. Confirm that you received all parts in the package. You should not replace any defective parts. Contact your supplier to obtain any missing or damaged parts.



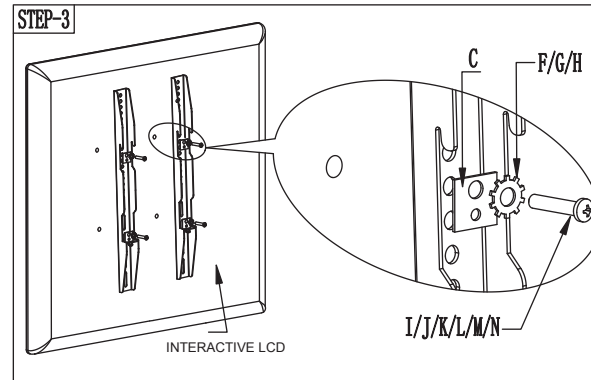
3. Installation and Operating Manual

Caution : Read these instructions fully and carefully before installation.

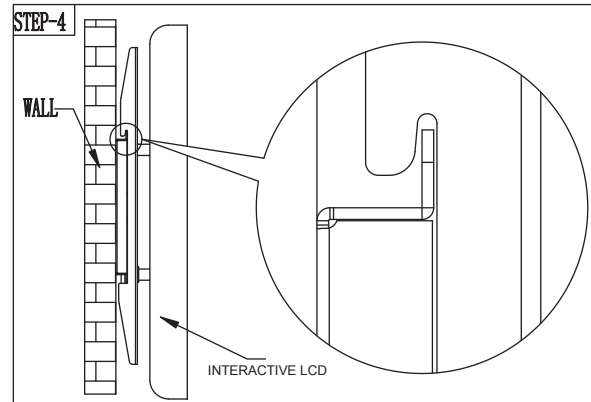
!
 It is not possible to install this unit on drywall, unless the drywall has been strongly reinforced under qualified engineering supervision.



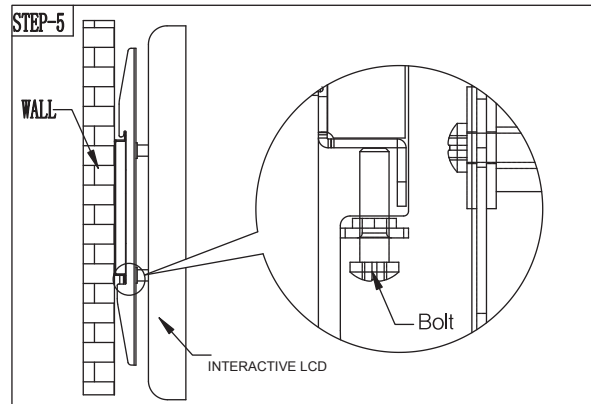
The wall plate should be aligned and installed on the wall according to its level. Plate firmly fixed by using the (E) Flat Washers and tightening 6 Tapping Screws, 1 into each plastic anchor



Install the bracket to the rear of the display. According to the holder spacing on the rear of the display, choose the appropriate screws and washers and fasten the bracket



Securely install the bracket and hang the display on the plate fixed to the wall. Depending on the size and weight of your display, ensure there are enough people capable of moving it into position. Release the display from your grip only after it has been fully installed.



Installation is completed safely once the fixing bolts have been tightened to their ends where the bracket meets the plate at the bottom rear of the display.