

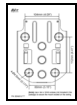
Professional Tracking Camera

Quick Start Guide

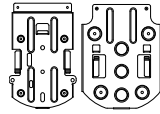
Package Contents



Camera Unit



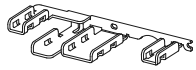
Drilling Paper



Ceiling Mount Bracket (x2)



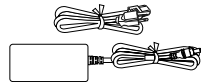
Quick Start Guide



Cable Fixing Plate



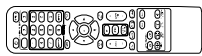
M2 x 4mm Screw (x3)



Power Adapter & Power Cord



1/4"-20 L=6.5mm Screw (x2)



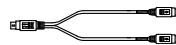
Remote Control



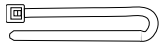
M3 x 6mm Screw (x3)



DIN8 to D-Sub9 Cable

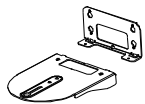


RS232 In/Out Y Cable

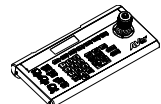


Cable Ties (x4)

Optional Accessories



Wall Mount Bracket



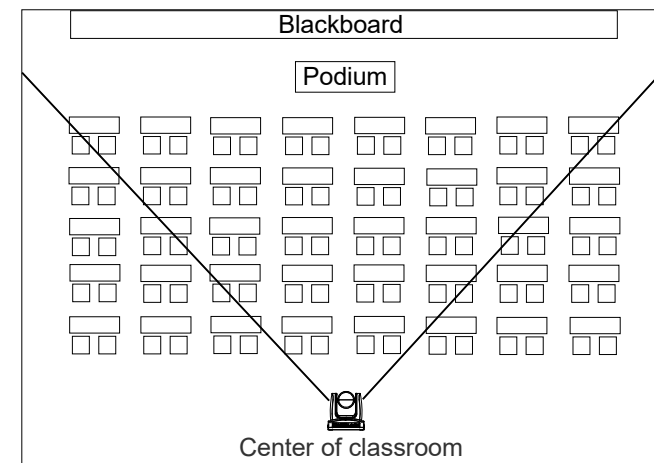
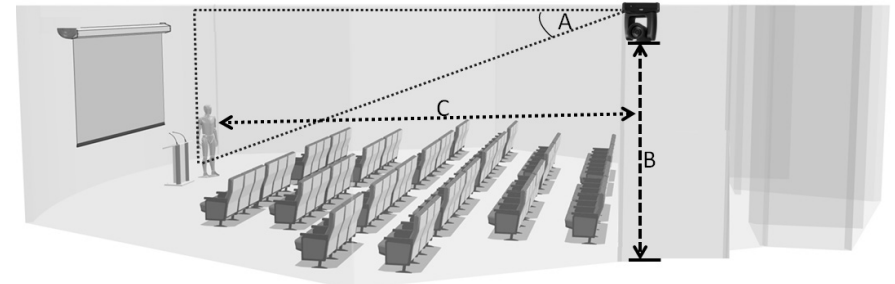
Camera Controller (CL01)

* For detail on optional accessories, consult your local dealer.

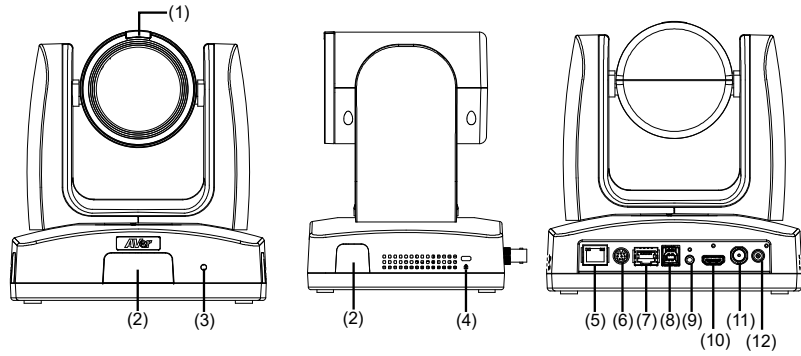
Camera Installation

- **Angle A:** less than 45°
- **Height B:** 2~3m from floor
- **Distance C:** longer than 3m away from podium
- **Position:** center of classroom
- **Distance between the camera and tracking target (presenter):**

Optical zoom ratio ability	Upper body size	Full body size
12X	3~16m	3~28m
30X	3~44m	3~76m



Overview



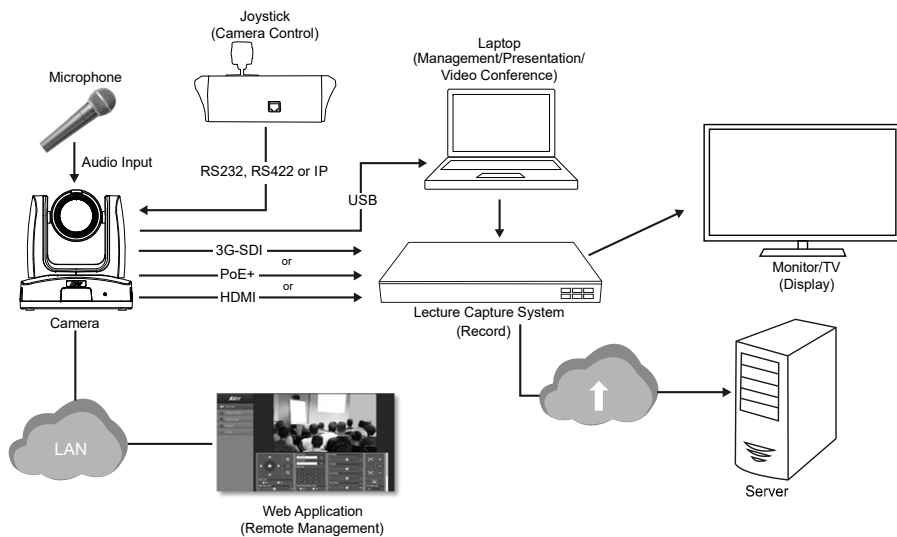
- (1) Tally Lamp
- (2) IR Sensor
- (3) LED Indicator
- (4) Kensington Lock
- (5) PoE+ IEEE 802.3AT
- (6) RS232 Port
- (7) RS422 Port
- (8) USB 3.0 Port (Type B)
- (9) Audio In
- (10) HDMI Port
- (11) 3G-SDI*
- (12) DC Power Jack

* The model names with "H" do not have this feature.

LED Indicator

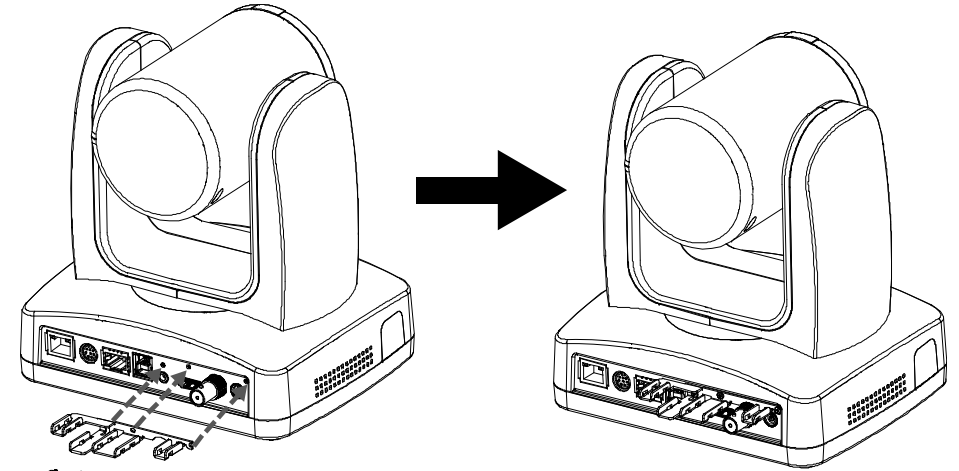
LED	Status	LED	Status
Blue (Blinking)	Auto Tracking on	Orange (Blinking)	Camera Initialization
Blue (Solid)	Normal Operation	Orange (Solid)	Standby
Red (Blinking)	FW Updating		

Connections

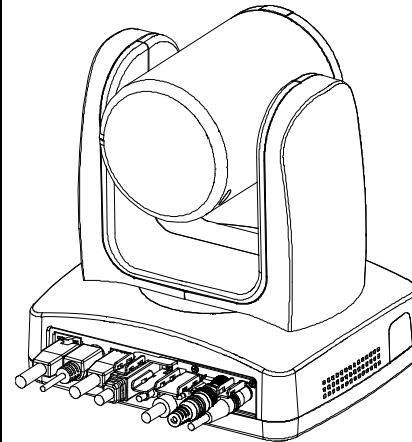


Cable Fixing Plate Installation

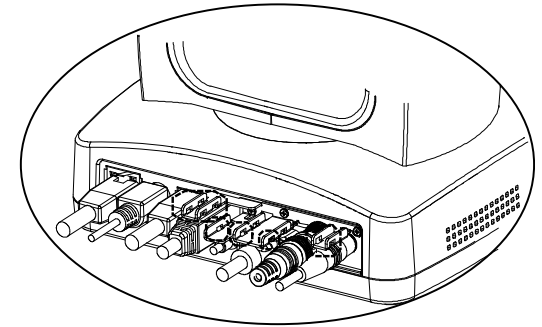
- Secure the cable fixing plate to the camera with 3 M2 x 4mm screws (included in the package).



- Plug in cables.

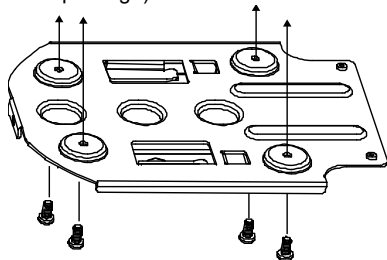


- Use 4 cable ties to secure the cables and cable fixing plate.

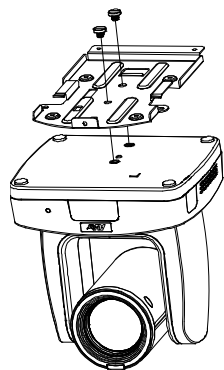


Ceiling Mount Installation

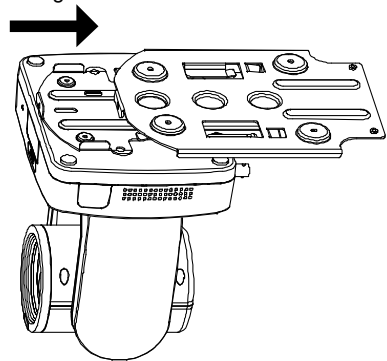
- Secure the mount bracket on the ceiling.
Screw: 4 screws, M4 x 10mm (Not Included in the package)



- Install the mount bracket on the camera.
Screw: 2 screws, 1/4"-20 L=6.5mm (Included in the package)

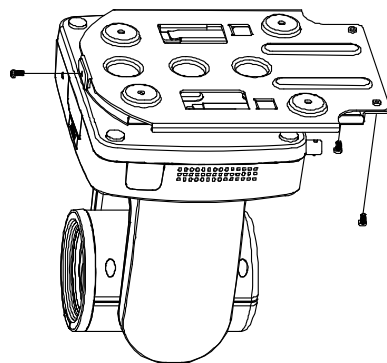


- Slide the mount bracket with the camera into the mount bracket which secured on the ceiling.



[Note] Connect necessary cables after sliding the camera into the mount bracket.

- Secure the camera with screws.
Screw: 3 screws, M3 x 6mm (Included in the package)



Remote Control

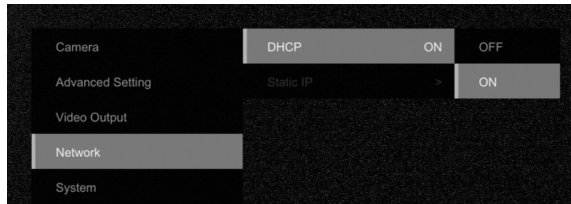
The remote controller requires two (2) "AAA" size batteries, make sure batteries are installed properly before use.

	Name	Function
(1)	(1) Power	Turn the unit on/standby.
(2)	(2) Menu	Open and exit the OSD menu.
(3)	(3) Camera Select	CAM1 to CAM3 button Select a camera to operate.
(4)	(4) Numeric Pad	<ul style="list-style-type: none"> Use for setting the preset position 0~9. Press number button (0~9) to move the camera to pre-configured preset position 0~9.
(5)	(5) Preset	Press " Preset " + " Number button (0~9) " to set the preset position.
(6)	(6) Reset	Press " Reset " + " Number button (0~9) " to cancel pre-configured preset position.
(7)	(7) WDR	Turn on/off WDR function.
(8)	(8) BLC	Turn on/off backlight compensation.
(9)	(9) ▲, ▼, ◀, & ▶	Pan and tilt the camera.
(10)	(10) Enter	Access the OSD menu, confirm the selection or make a selection in OSD menu.
(11)	(11) PT Reset	Reset the Pan-Tilt position.
(12)	(12) L/R DIR	Left and right orientation setting. <ul style="list-style-type: none"> Press "L/R DIR" + "#1" button to reset setting. Press "L/R DIR" + "#2" button to move to opposite direction.
(13)	(13) Zoom +/-	Zoom in/out slowly.
(14)	(14) MF/Far/Near	Enable manual focus. Use Far/Near to adjust the focus.
(15)	(15) Zoom Fast +/-	Zoom in/out fast.
(16)	(16) Pan-tilt Fast/Slow	Pan-Tilt speed adjustment.
(17)	(17) AF	Auto focus.
(18)	(18) Auto Tracking	Auto Tracking on/off.
(19)	(19) Freeze	Freeze the live image.
(20)	(20) EV +/-	<ul style="list-style-type: none"> Short press to adjust EV level. Long press EV+ to turn on RTMP. Long press EV- to turn off RTMP.
(21)	(21) Switch	Change presenter.
(22)	(22) Tracking Point	When presenter enters this area, the camera will start tracking.
(23)	(23) Upper Body	Presenter's size on screen is upper body.
(24)	(24) Full Body	Presenter's size on screen is full body.

Tracking Point Setup

Set up a tracking point as a start point of auto tracking. In general, tracking point is set at position of speaker and when camera detects people show at tracking point, camera will start to tracking. Also, when tracking is lost, camera will go back to tracking point after few seconds.

1. Press **MENU** button on remote control to call out OSD menu.
2. Go to **Network > DHCP > On**. Then, go to **System > Information** to check IP address of the camera.



3. Next, open the browser on your PC/laptop, enter the IP address of the camera, and connect to camera (Default login account and password are **admin/admin**). User should see the camera Web UI.



4. Select **Tracking Settings > Presenter**. Use **▲**, **▼**, **◀**, **▶**, **+** and **-** to set the camera position, then, select **Save to Preset 1** to save the tracking point. For more detail about setting of tracking, please refer to user manual.



Federal Communication Commission Interference Statement

NOTE: This equipment has been tested and found to comply with the limits for a Class A digital device, pursuant to part 15 of the FCC Rules. These limits are designed to provide reasonable protection against harmful interference when the equipment is operated in a commercial environment. This equipment generates, uses, and can radiate radiofrequency energy and, if not installed and used in accordance with the instruction manual, may cause harmful interference to radio communications. Operation of this equipment in a residential area is likely to cause harmful interference in which case the user will be required to correct the interference at his own expense.

FCC Caution: Any changes or modifications not expressly approved by the party responsible for compliance could void the user's authority to operate this equipment.

This device complies with part 15 of the FCC Rules.

The Operation is subject to the following two conditions:

- (1) This device may not cause harmful interference, and
- (2) this device must accept any interference received, including interference that may cause undesired operation.

This Class A digital apparatus complies with Canadian ICES-003. Cet appareil numérique de la classe A est conforme à la norme NMB-003 du Canada.

Warning: This is a class A product. In a domestic environment this product may cause radio interference in which case the user may be required to take adequate measures.

限用物質含有情況標示資訊參考下列網址：<https://tw.aver.com/page/RoHS>

Caution

- Risk of explosion if battery is replaced by an incorrect type.
- Dispose of used batteries in a safe and proper manner.

©2021 AVer Information Inc. All rights reserved.

All rights of this object belong to AVer Information Inc. Reproduced or transmitted in any form or by any means without the prior written permission of AVer Information Inc. is prohibited. All information or specifications are subject to change without prior notice.

Contact Information

Global

AVer Information Inc.
<https://www.aver.com>
8F, No.157, Da-An Rd.
Tucheng Dist., New Taipei City
Taiwan
Tel: +886 (2) 2269 8535

USA

AVer Information Inc.
<https://www.averusa.com>
668 Mission Ct.
Fremont, CA 94539, USA
Tel: +1 (408) 263 3828
Toll-free: +1 (877) 528 7824
Technical support:
support.usa@aver.com

European Headquarters

AVer Information Europe B.V.
<https://www.averusa.com>
Westblaak 134, 3012KM,
Rotterdam, The Netherlands
Tel: +31 (0) 10 7600 550
Technical support:
eu.rma@aver.com