

At Sony we are constantly rethinking and redesigning in order to create innovative digital entertainment products. And we are also constantly rethinking and re-evaluating our products, processes and our potential impact on the planet.

Thanks to our results in that direction, this product achieved the European Eco label award issued by the European Commission. You can get more information in following link: <http://ec.europa.eu/environment/ecolabel/>

**Sony gives a minimum of 2 years guarantee for this LCD TV and 7 years availability for replacement of electronic parts.**



For useful information about Sony products

<http://www.sony-europe.com/myproduct/>



416814812

<http://www.sony.net/>

© 2010 Sony Corporation

4-168-148-12(1)

# SONY®

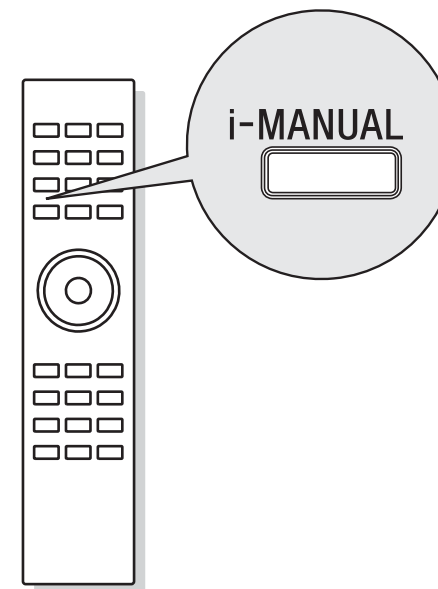
## LCD Digital Colour TV

### Operating Instructions

Start-up Guide

Instruction Manual

Additional Information



# BRAVIA

KDL-46EX4xx / KDL-40BX4xx / KDL-40EX4xx / KDL-40NX5xx /  
KDL-37EX4xx / KDL-32BX3xx / KDL-32BX4xx / KDL-32EX3xx /  
KDL-32EX4xx / KDL-32NX5xx / KDL-26EX3xx / KDL-22EX3xx

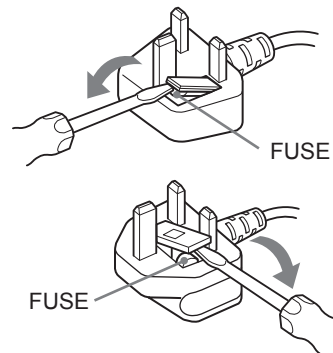
# NOTICE FOR CUSTOMERS IN THE UNITED KINGDOM

A moulded plug complying with BS1363 is fitted to this equipment for your safety and convenience.

Should the fuse in the plug supplied need to be replaced with the same rating of fuse approved by ASTA or BSI to BS 1362 (i.e., marked with ⚡ or ⚡) must be used.

When an alternative type of plug is used it should be fitted with the same rating of fuse, otherwise the circuit should be protected by a 10 AMP FUSE at the distribution board.

If the plug supplied with this equipment has a detachable fuse cover, be sure to attach the fuse cover after you change the fuse. Never use the plug without the fuse cover. If you should lose the fuse cover, please contact your nearest Sony service station.



## How to replace the fuse

Open the fuse compartment with a blade screwdriver, and replace the fuse.

Please refer to the illustration that actually equipped with the product.

## Introduction

Thank you for choosing this Sony product. Before operating the TV, please read this manual thoroughly and retain it for future reference.

## Notice for Digital TV function

- Any functions related to Digital TV (DVB) will only work in countries or areas where DVB-T (MPEG-2 and H.264/MPEG-4 AVC) digital terrestrial signals are broadcast or where you have access to a compatible DVB-C (MPEG-2 and H.264/MPEG-4 AVC) cable service. Please confirm with your local dealer if you can receive a DVB-T signal where you live or ask your cable provider if their DVB-C cable service is suitable for integrated operation with this TV.
- Your cable provider may charge a fee for their services, or require you to agree to its terms and conditions of business.

- This TV set complies with DVB-T and DVB-C specifications, but compatibility with future DVB-T digital terrestrial and DVB-C digital cable broadcasts are not guaranteed.
- Some Digital TV functions may not be available in some countries/areas and DVB-C cable may not operate correctly with some providers.

For a list of compatible cable providers, refer to the support web site:

<http://support.sony-europe.com/TV/DVBC/>

The manufacturer of this product is Sony Corporation, 1-7-1 Konan Minato-ku Tokyo, 108-0075 Japan. The Authorized Representative for EMC and product safety is Sony Deutschland GmbH, Hedelfinger Strasse 61, 70327 Stuttgart, Germany. For any service or guarantee matters please refer to the addresses given in separate service or guarantee documents.

## Trademark information

- **DVB** is a registered trademark of the DVB Project
- HDMI, the HDMI logo and High-Definition Multimedia Interface are trademarks or registered trademarks of HDMI Licensing LLC.
- Manufactured under license from Dolby Laboratories. Dolby and the double-D symbol are trademarks of Dolby Laboratories.
- ABOUT DIVX VIDEO: DivX® is a digital video format created by DivX, Inc. This is an official DivX Certified device that plays DivX video. Visit [www.divx.com](http://www.divx.com) for more information and software tools to convert your files into DivX video.
- ABOUT DIVX VIDEO-ON-DEMAND: This DivX Certified® device must be registered in order to play DivX Video-on-Demand (VOD) content. To generate the registration code, locate the DivX VOD section in the device setup menu. Go to [vod.divx.com](http://vod.divx.com) with this code to complete the registration process and learn more about DivX VOD.



## About the model name in this manual

The “xx” that appears on the model name, corresponds to two numeric digits related to design or colour variation.



- The illustrations used in this manual are of the KDL-32EX402 unless otherwise stated.

# Table of Contents

## *Start-up Guide*

4

Safety information.....	9
Precautions.....	10

## *Instruction Manual*

Navigating through the Instruction Manual.....	11
--	----

## *Additional Information*

Installing the Accessories (Wall-Mount Bracket).....	12
Specifications.....	15
Troubleshooting.....	18

**DVB** : for digital channels only

- Before operating the TV, please read "Safety Information" 9. Retain this manual for future reference.
- Full operating instructions can be found on the screen.
- Instructions about "Installing Wall Mount Bracket" are included within this TV's instructions manual.

## 1: Checking the accessories

Mains lead (1) (only for KDL-46EX4xx)

Cable holder (1) (only for KDL-40/32NX5xx)

Stand (1)\*

Screws for stand (4) (only for KDL-46EX4xx)

Screws for stand (4 + 3) (only for KDL-40BX4/EX4xx, KDL-37EX4xx, KDL-32BX3/BX4/EX3/EX4xx, KDL-26EX3xx, KDL-22EX3xx)

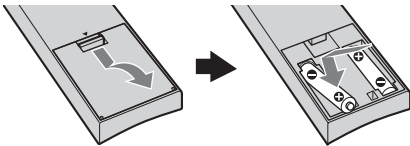
Screws for stand (4 + 4) (only for KDL-40/32NX5xx)

Remote RM-ED022 (1)

Size AAA batteries (2)

\* Disassembled except for KDL-46EX4xx.

### To insert batteries into the remote

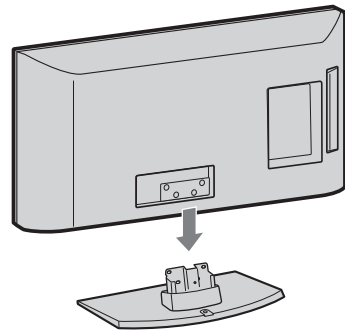



- Observe the correct polarity when inserting batteries.
- Do not use different types of batteries together or mix old and new batteries.
- Dispose of batteries in an environmentally friendly way. Certain regions may regulate disposal of batteries. Please consult your local authority.
- Handle the remote with care. Do not drop or step on it, or spill liquid of any kind onto it.
- Do not place the remote in a location near a heat source, a place subject to direct sunlight, or a damp room.

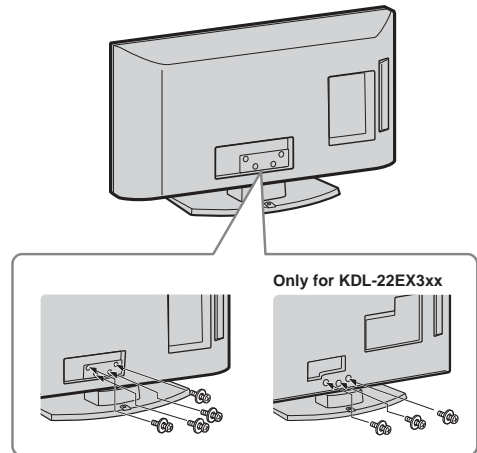
## 2: Attaching the stand

Follow the assembling steps required to place on a TV stand.

- 1 Refer to the supplied Table-Top Stand leaflet for proper attachment for some TV models.
- 2 Place the TV set on the stand. Take care not to interfere with cables.



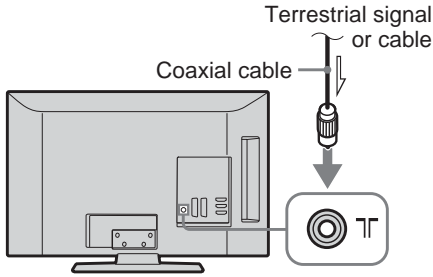
- 3 Fix the TV to the stand according to the arrow marks  that guide the screw holes using the supplied screws.



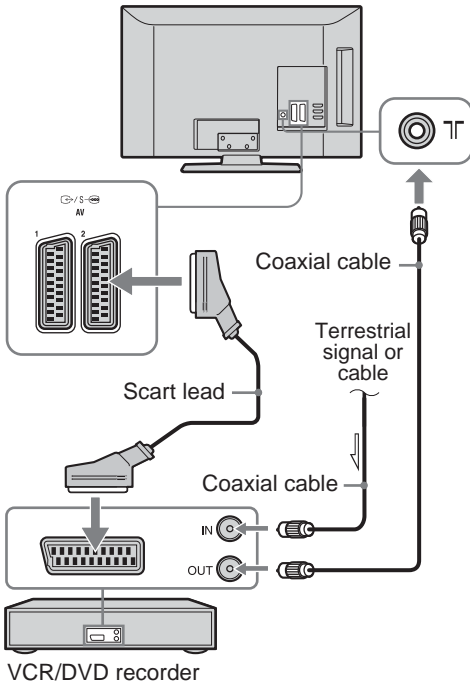
- If using an electric screwdriver, set the tightening torque at approximately 1.5 N·m (15 kgf·cm).

# 3: Connecting an aerial/cable/VCR/DVD recorder

Connecting an aerial/cable only

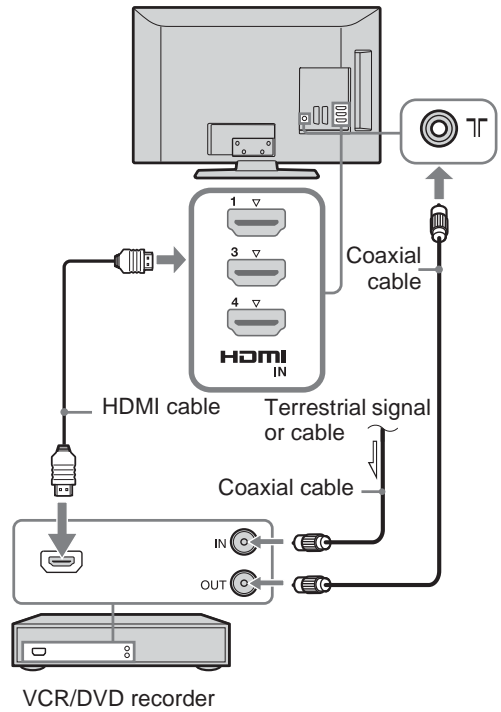


Connecting an aerial/cable/VCR/DVD recorder with SCART



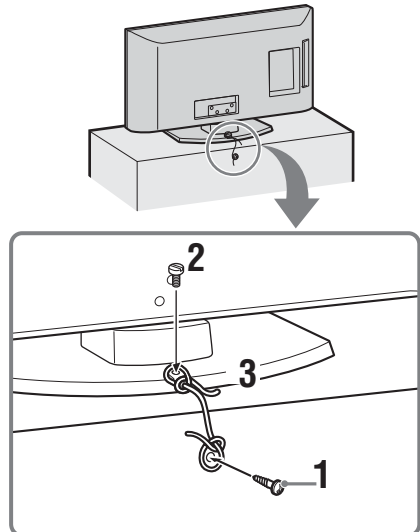
- AV1 outputs available only for analogue TV.
- AV2 outputs to the current screen (except PC, HDMI, Component, USB).

Connecting an aerial/cable/VCR/DVD recorder with HDMI



Start-up Guide

# 4: Preventing the TV from toppling over



- 1 Install a wood screw (4 mm in diameter, not supplied) in the TV stand.

Continued

- 2 Install a machine screw (M4 × 16, not supplied) into the screw hole of the TV.
- 3 Tie the wood screw and the machine screw with a strong cord.

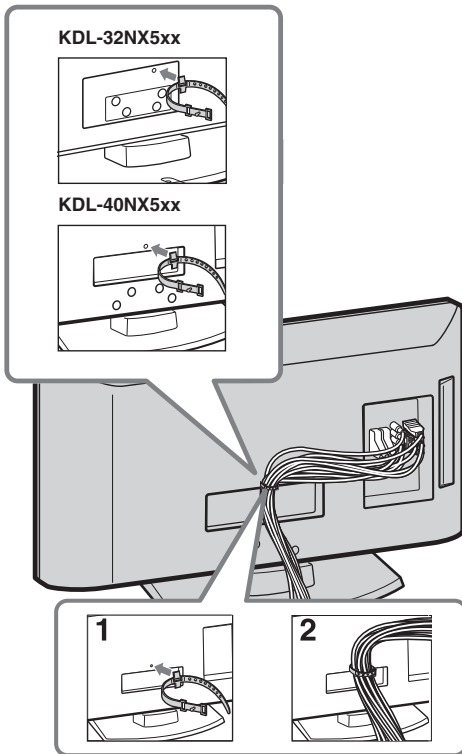


- An optional Sony support belt kit is used to secure the TV. Contact your nearest Sony Service Centre to purchase a kit. Have your TV model name ready for reference.

## 5: Bundling the cables

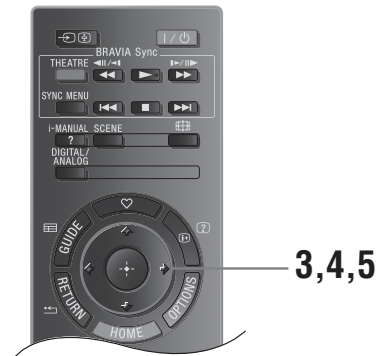
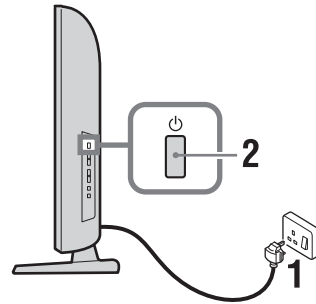
(only for KDL-40/32NX5xx)

You can bundle the connecting cables as illustrated below.

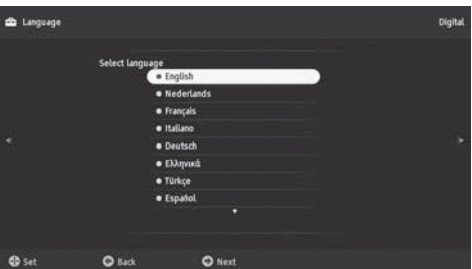


- Do not bundle the mains lead with other connecting cables.

## 6: Selecting the language, country/region and location



- 1 Connect the TV to your mains socket (220-240V AC, 50Hz).
- 2 Press on the side of the TV. When you turn on the TV for the first time, the Language menu appears on the screen.
- 3 Press / to select the language displayed on the menu screens, then press .

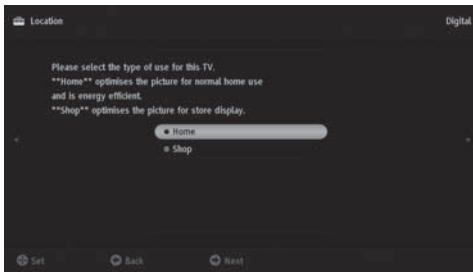


- 4 Press  $\uparrow/\downarrow$  to select the country/region in which you will operate the TV, then press  $\oplus$ .



If the country/region which you want to use on the TV does not appear in the list, select “-” instead of a country/region.

- 5 Press  $\uparrow/\downarrow$  to select the location type in which you will operate the TV, then press  $\oplus$ .

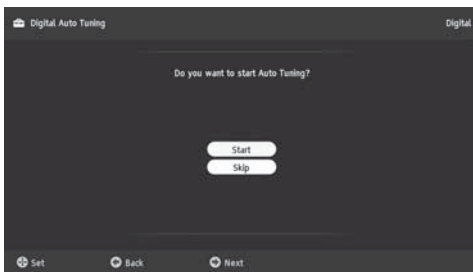


In Shop mode, some settings will be periodically reset for Shop usage.

This option selects the initial picture mode appropriate for the typical lighting condition in these environments.

## 7: Auto-tuning the TV

- 1 Press  $\oplus$ .



- 2 Press  $\uparrow/\downarrow$  to select “Antenna” or “Cable”, then press  $\oplus$ .

If you select “Cable”, the screen for selecting the scan type appears. See “To tune the TV for

Cable connection” (page 7).

The TV starts searching for all available digital channels, followed by all available analogue channels. This may take some time, so do not press any buttons on the TV or remote while proceeding.

### If a message appears for you to confirm the aerial connection

No digital or analogue channels were found. Check all the aerial/cable connections and press  $\oplus$  to start auto-tuning again.

- 3 Programme Sorting (Only in analogue mode): Changes the order in which the analogue channels are stored on the TV.

1 Press  $\uparrow/\downarrow$  to select the channel you want to move to a new position, then press  $\rightleftarrows$ .

2 Press  $\uparrow/\downarrow$  to select the new position for your channel, then press  $\oplus$ .

If you do not change the order in which the analogue channels are stored on the TV, press HOME to go to next step.

- This step will not appear if any analogue channel is found.

The message "Set-up complete" will appear on the screen. Press  $\oplus$ .

The TV has now tuned in all the available channels.

### To tune the TV for Cable connection

- 1 Press  $\oplus$ .

- 2 Press  $\uparrow/\downarrow$  to select “Quick Scan” or “Full Scan”, then press  $\oplus$ .

**“Quick Scan”**: channels are tuned according to the cable operator information within the broadcast signal.

Recommended setting for "Frequency" and "Network ID" is "Auto".

This option is recommended for fast tuning when supported by your cable operator.

If the "Quick Scan" does not tune, please use the "Full Scan" method below.

**“Full Scan”**: All available channels are tuned and stored. This procedure may take some time. This option is recommended when "Quick Scan" is not supported by your cable provider.

For further information about supported cable providers, refer to support web site:

<http://support.sony-europe.com/TV/DVBC>

- 3 Press  $\leftarrow/\rightarrow/\downarrow$  to select “Start”.

The TV starts searching for channels. Do not press any buttons on the TV or remote.



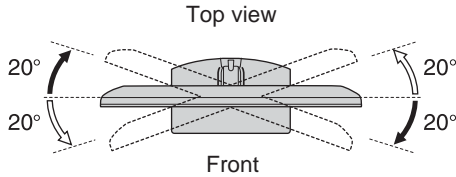
- Some cable providers do not support “Quick Scan”. If no channels are detected using “Quick Scan”, perform “Full Scan”.

# Adjusting the viewing angle of the TV

This TV can be adjusted within the angles shown below.

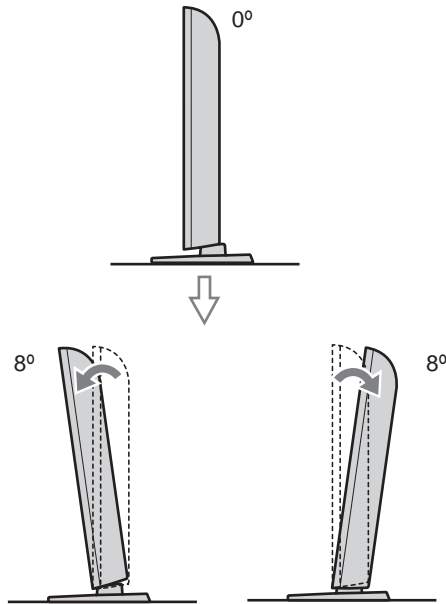
(only for KDL-40/32NX5xx)

## Adjust the angle left and right (swivel)



(only for KDL-22EX3xx)

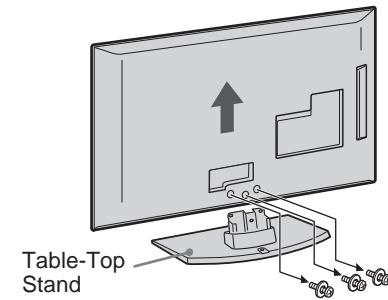
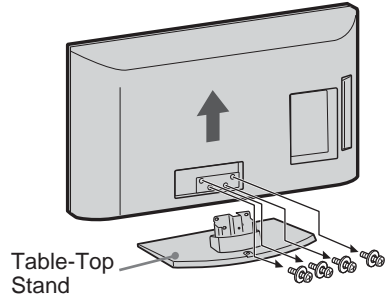
## Adjust the tilt



# Detaching the Table-Top Stand from the TV



- Do not remove the Table-Top Stand for any reason other than to wall-mount the TV.



(only for KDL-22EX3xx )



# Safety Information

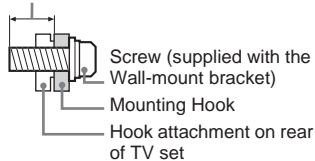
## Installation/Set-up

Install and use the TV set in accordance with the instructions below in order to avoid any risk of fire, electrical shock or damage and/or injuries.

### Installation

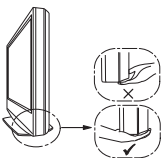
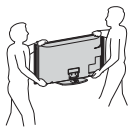
- The TV set should be installed near an easily accessible mains socket.
- Place the TV set on a stable, level surface.
- Only qualified service personnel should carry out wall installations.
- For safety reasons, it is strongly recommended that you use Sony accessories, including:
  - Wall-mount bracket SU-WL500 (KDL-46EX4xx, KDL-40BX4/EX4/NX5xx, KDL-37EX4xx, KDL-32BX3/BX4/EX3/EX4/NX5xx)
  - Wall-mount bracket SU-WL100 (KDL-26EX3xx, KDL-22EX3xx)
- Be sure to use the screws supplied with the Wall-mount bracket when attaching the mounting hooks to the TV set. The supplied screws are designed so that they are 8 mm to 12 mm in length when measured from the attaching surface of the mounting hook. The diameter and length of the screws differ depending on the Wall-mount bracket model. Use of screws other than those supplied may result in internal damage to the TV set or cause it to fall, etc.

8 mm - 12 mm



### Transporting

- Before transporting the TV set, disconnect all cables.
- Two or three people are needed to transport a large TV set.
- When transporting the TV set by hand, hold it as shown on the right. Do not put stress on the LCD panel.
- When lifting or moving the TV set, hold it firmly from the bottom.
- When transporting the TV set, do not subject it to jolts or excessive vibration.
- When transporting the TV set for repairs or when moving, pack it using the original carton and packing material.

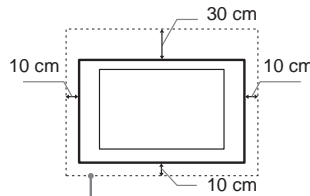


### Ventilation

- Never cover the ventilation holes or insert anything in the cabinet.

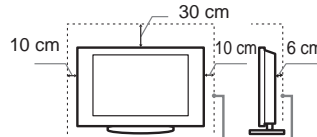
- Leave space around the TV set as shown below.
- It is strongly recommended that you use a Sony wall-mount bracket in order to provide adequate air-circulation.

### Installed on the wall



Leave at least this space around the set.

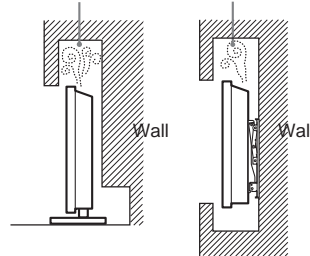
### Installed with stand



Leave at least this space around the set.

- To ensure proper ventilation and prevent the collection of dirt or dust:
  - Do not lay the TV set flat, install upside down, backwards, or sideways.
  - Do not place the TV set on a shelf, rug, bed or in a closet.
  - Do not cover the TV set with a cloth, such as curtains, or items such as newspapers, etc.
  - Do not install the TV set as shown below.

Air circulation is blocked.



### Mains lead

Handle the mains lead and socket as follows in order to avoid any risk of fire, electrical shock or damage and/or injuries:

- Use only mains leads supplied by Sony, not other suppliers.
- Insert the plug fully into the mains socket.
- Operate the TV set on a 220–240 V AC supply only.
- When wiring cables, be sure to unplug the mains lead for your safety and take care not to catch your feet on the cables.
- Disconnect the mains lead from the mains socket before working on or moving the TV set.
- Keep the mains lead away from heat sources.
- Unplug the mains plug and clean it regularly. If the plug is covered with

dust and it picks up moisture, its insulation may deteriorate, which could result in a fire.

### Notes

- Do not use the supplied mains lead on any other equipment.
- Do not pinch, bend, or twist the mains lead excessively. The core conductors may be exposed or broken.
- Do not modify the mains lead.
- Do not put anything heavy on the mains lead.
- Do not pull on the mains lead itself when disconnecting the mains lead.
- Do not connect too many appliances to the same mains socket.
- Do not use a poor fitting mains socket.

### Prohibited Usage

Do not install/use the TV set in locations, environments or situations such as those listed below, or the TV set may malfunction and cause a fire, electrical shock, damage and/or injuries.

### Location:

Outdoors (in direct sunlight), at the seashore, on a ship or other vessel, inside a vehicle, in medical institutions, unstable locations, near water, rain, moisture or smoke.

### Environment:



- To prevent the spread of fire, keep candles or other open flames away from this product at all time.
- Places that are hot, humid, or excessively dusty; where insects may enter; where it might be exposed to mechanical vibration, near flammable objects (candles, etc). The TV set shall not be exposed to dripping or splashing and no objects filled with liquids, such as vases, shall be placed on the TV.

### Situation:

Do not use when your hands are wet, with the cabinet removed, or with attachments not recommended by the manufacturer. Disconnect the TV set from mains socket and aerial during lightning storms.

### Broken pieces:

- Do not throw anything at the TV set. The screen glass may break by the impact and cause serious injury.
- If the surface of the TV set cracks, do not touch it until you have unplugged the mains lead. Otherwise electric shock may result.

### When not in use

- If you will not be using the TV set for several days, the TV set should be disconnected from the mains for environmental and safety reasons.
- As the TV set is not disconnected from the mains when the TV set is just turned off, pull the plug from the mains to disconnect the TV set completely.
- However, some TV sets may have features that require the TV set to be left in standby to work correctly.

*Continued*

## For children

- Do not allow children to climb on the TV set.
- Keep small accessories out of the reach of children, so that they are not mistakenly swallowed.

## If the following problems occur...

Turn off the TV set and unplug the mains lead immediately if any of the following problems occur.

Ask your dealer or Sony service centre to have it checked by qualified service personnel.

### When:

- Mains lead is damaged.
- Poor fitting of mains socket.
- TV set is damaged by being dropped, hit or having something thrown at it.
- Any liquid or solid object falls through openings in the cabinet.

## Precautions

### Viewing the TV

- View the TV in moderate light, as viewing the TV in poor light or during long period of time, strains your eyes.
- When using headphones, adjust the volume so as to avoid excessive levels, as hearing damage may result.

### LCD Screen

- Although the LCD screen is made with high-precision technology and 99.99% or more of the pixels are effective, black dots may appear or bright points of light (red, blue, or green) may appear constantly on the LCD screen. This is a structural property of the LCD screen and is not a malfunction.
- Do not push or scratch the front filter, or place objects on top of this TV set. The image may be uneven or the LCD screen may be damaged.
- If this TV set is used in a cold place, a smear may occur in the picture or the picture may become dark. This does not indicate a failure. These phenomena disappear as the temperature rises.
- Ghosting may occur when still pictures are displayed continuously. It may disappear after a few moments.
- The screen and cabinet get warm when this TV set is in use. This is not a malfunction.
- The LCD screen contains a small amount of liquid crystal. Some fluorescent tubes used in this TV set also contain mercury. Follow your local ordinances and regulations for disposal.

### Handling and cleaning the screen surface/cabinet of the TV set

Be sure to unplug the mains lead connected to the TV set from mains socket before cleaning.

To avoid material degradation or screen coating degradation, observe the following precautions.

- To remove dust from the screen surface/cabinet, wipe gently with a soft cloth. If dust is persistent, wipe with a soft cloth slightly moistened with a diluted mild detergent solution.
- Do not spray water or detergent directly on the TV set. It may drip to the bottom of the screen or exterior parts, and may cause a malfunction.
- Never use any type of abrasive pad, alkaline/acid cleaner, scouring powder, or volatile solvent, such as alcohol, benzene, thinner or insecticide. Using such materials or maintaining prolonged contact with rubber or vinyl materials may result in damage to the screen surface and cabinet material.
- Periodic vacuuming of the ventilation openings is recommended to ensure to proper ventilation.
- When adjusting the angle of the TV set, move it slowly so as to prevent the TV set from moving or slipping off from its table stand.

### Optional Equipment

- Keep optional components or any equipment emitting electromagnetic radiation away from the TV set. Otherwise picture distortion and/or noisy sound may occur.
- This equipment has been tested and found to comply with the limits set out in the EMC Directive using a connection signal cable shorter than 3 meters.

### Batteries

- Observe the correct polarity when inserting batteries.
- Do not use different types of batteries together or mix old and new batteries.
- Dispose of batteries in an environmentally friendly way. Certain regions may regulate the disposal of batteries. Please consult your local authority.
- Handle the remote with care. Do not drop or step on it, or spill liquid of any kind onto it.
- Do not place the remote in a location near a heat source, a place subject to direct sunlight, or a damp room.

### Disposal of the TV set



### Disposal of Old Electrical & Electronic Equipment (Applicable in the European

### Union and other European countries with separate collection systems)

This symbol on the product or on its packaging indicates that this product shall not be treated as household waste. Instead it shall be handed over to the applicable collection point for the recycling of electrical and electronic equipment. By ensuring this product is disposed of correctly, you will help prevent potential negative consequences for the environment and human health, which could otherwise be caused by inappropriate waste handling of this

product. The recycling of materials will help to conserve natural resources. For more detailed information about recycling of this product, please contact your local Civic Office, your household waste disposal service or the shop where you purchased the product.



### Disposal of waste batteries (applicable in the European Union and other European countries with separate collection systems)

This symbol on the battery or on the packaging indicates that the battery provided with this product shall not be treated as household waste. On certain batteries this symbol might be used in combination with a chemical symbol. The chemical symbols for mercury (Hg) or lead (Pb) are added if the battery contains more than 0.0005% mercury or 0.004% lead. By ensuring these batteries are disposed of correctly, you will help prevent potentially negative consequences for the environment and human health which could otherwise be caused by inappropriate waste handling of the battery. The recycling of the materials will help to conserve natural resources. In case of products that for safety, performance or data integrity reasons require a permanent connection with an incorporated battery, this battery should be replaced by qualified service staff only. To ensure that the battery will be treated properly, hand over the product at end-of-life to the applicable collection point for the recycling of electrical and electronic equipment. For all other batteries, please view the section on how to remove the battery from the product safely. Hand the battery over to the applicable collection point for the recycling of waste batteries. For more detailed information about recycling of this product or battery, please contact your local Civic Office, your household waste disposal service or the shop where you purchased the product.


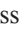


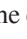



# ? *Instruction Manual*

## ***Instruction Manual***

Displays the instruction manual on the screen.

---

### ***Navigating through the Instruction Manual***

- 1** Press **i-MANUAL**.
- 2** Press  to select topic from the Table of Contents, then press .  
Use the corresponding coloured button to go to next or previous page and to return to Table of Contents.  
If the explanation is linked to other topic, the symbol  will appear. Press  to select  then press . Press  **RETURN** to go back.
- 3** Press  **RETURN** to exit.



- The XMB™ (XrossMediaBar) is a menu of BRAVIA features and input sources displayed on the TV screen.

## Installing the Accessories (Wall-Mount Bracket)

### To Customers:

For product protection and safety reasons, Sony strongly recommends that installing of your TV be performed by Sony dealers or licensed contractors. Do not attempt to install it yourself.

### To Sony Dealers and Contractors:

Provide full attention to safety during the installation, periodic maintenance and examination of this product.

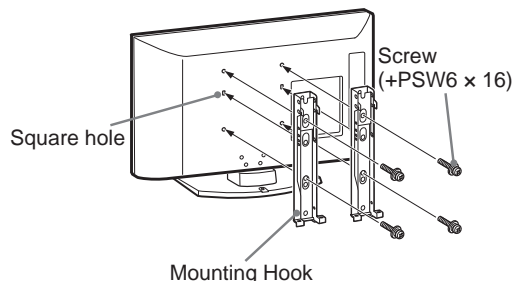
Your TV can be installed using the Wall-Mount Bracket SU-WL500 (KDL-46EX4xx, KDL-40BX4/EX4/NX5xx, KDL-37EX4xx, KDL-32BX3/BX4/EX3/EX4/NX5xx) / SU-WL100 (KDL-26EX3xx, KDL-22EX3xx) (sold separately).

- Refer to the Instructions supplied with the Wall-Mount Bracket to properly carry out the installation.
- Refer to “Detaching the Table-Top Stand from the TV” (page 8).

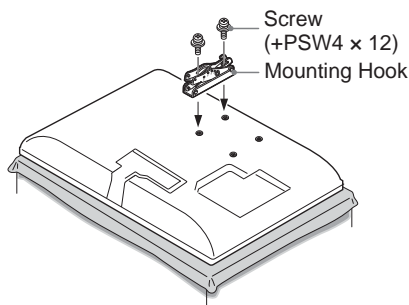


- Place the TV on the Table-Top Stand, when securing the Mounting Hook.

**KDL-46EX4xx**  
**KDL-40BX4/EX4/NX5xx**  
**KDL-37EX4xx**  
**KDL-32BX3/BX4/EX3/EX4/NX5xx**



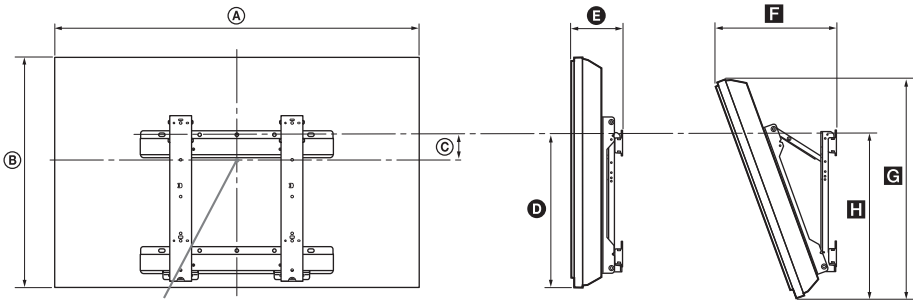
**KDL-26EX3xx**  
**KDL-22EX3xx**



Sufficient expertise is required for installing this product, especially to determine the strength of the wall for withstanding the TV's weight. Be sure to entrust the attachment of this product to the wall to Sony dealers or licensed contractors and pay adequate attention to safety during the installation. Sony is not liable for any damage or injury caused by mishandling or improper installation.

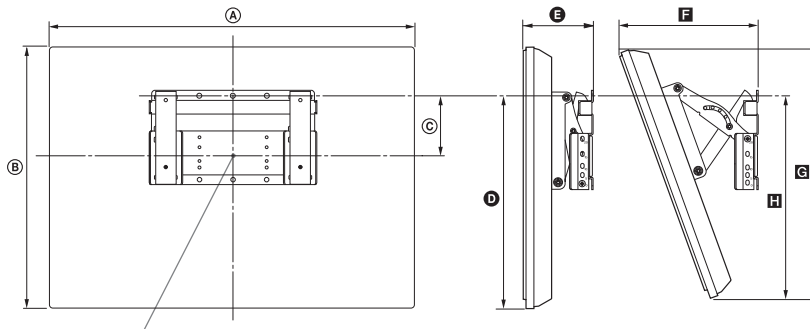
## TV installation dimensions table

KDL-46EX4xx  
 KDL-40BX4/EX4/NX5xx  
 KDL-37EX4xx  
 KDL-32BX3/BX4/EX3/EX4/NX5xx



Screen centre point

KDL-26EX3xx  
 KDL-22EX3xx



Screen centre point

Unit: cm

Model Name	Display dimensions		Screen centre dimension C	Length for each mounting angle				
	A	B		Angle (0°)		Angle (20°)		
				D	E	F	G	H
KDL-46EX4xx	112.7	67.4	8.4	42.4	16.2	36.9	64.0	46.4
KDL-40NX5xx	102.3	62.8	12.2	43.9	16.0	34.9	59.1	47.9
KDL-40BX4xx	99.6	59.8	12.2	42.5	15.9	34.1	56.6	46.2
KDL-40EX4xx	99.2	59.8	12.2	42.5	16.0	34.1	56.7	46.3
KDL-37EX4xx	92.1	56.4	14.0	42.7	15.8	32.7	53.4	46.3
KDL-32NX5xx	82.5	51.7	17.2	43.2	15.6	30.9	48.8	47.1
KDL-32BX3/BX4xx	80.4	49.7	17.2	42.6	15.6	30.3	47.9	46.0
KDL-32EX3/EX4xx	80.0	49.7	17.2	42.6	15.7	30.3	47.0	46.1
KDL-26EX3xx	67.2	42.3	9.7	31.5	16.0	26.2	40.2	32.3
KDL-22EX3xx	55.1	36.7	13.3	32.9	14.3	22.2	34.8	32.8

Figures in the above table may differ slightly depending on the installation.

### WARNING

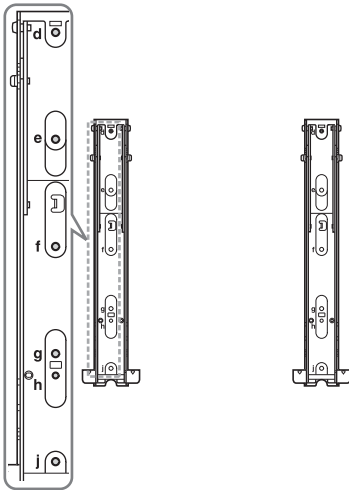
The wall that the TV will be installed on should be capable of supporting a weight of at least four times that of the TV. Refer to “Specifications” (page 15) for its weight.

# Screw and Hook locations diagram/table

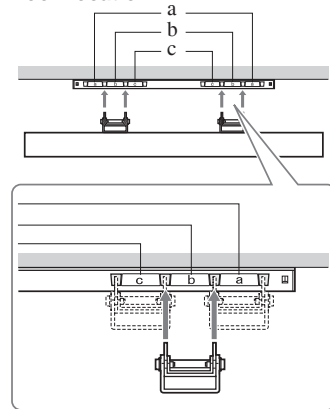
Model Name	Screw location	Hook location
KDL-46EX4xx	d, g	b
KDL-40BX4/EX4/NX5xx	d, g	b
KDL-37EX4xx	d, g	b
KDL-32BX3/BX4/EX3/EX4/NX5xx	e, g	c
KDL-26EX3xx	—	a
KDL-22EX3xx	—	b

KDL-46EX4xx  
 KDL-40BX4/EX4/NX5xx  
 KDL-37EX4xx  
 KDL-32BX3/BX4/EX3/EX4/NX5xx

Screw location

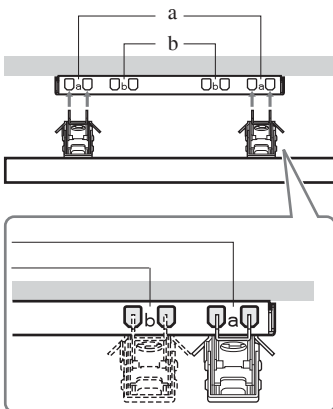


Hook location

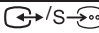
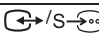













KDL-26EX3xx  
 KDL-22EX3xx

Hook location



# Specifications

Model name	KDL-46EX4xx	KDL-40BX4/EX4/NX5xx	KDL-37EX4xx	KDL-32BX3/BX4/EX3/EX4/NX5xx	KDL-26EX3xx	KDL-22EX3xx	
<b>System</b>							
Panel System	LCD (Liquid Crystal Display) Panel						
TV System	Depending on your country/region selection Analogue: B/G/H, D/K, L, I Digital: DVB-T, DVB-C						
Colour/Video System	Analogue: PAL, PAL60 (only video input), SECAM, NTSC3.58, NTSC4.43 (only video input) Digital: MPEG-2 MP@ML/HL, H.264/MPEG-4 AVC HP@L4.0, MP@L3.0						
Channel Coverage	Analogue: 46.25 - 855.25 MHz Digital: VHF/UHF						
Sound Output	10 W + 10 W (RMS)			8 W + 8 W (RMS)	5 W + 5 W (RMS)		
<b>Input/Output jacks</b>							
Aerial	75 ohm external terminal for VHF/UHF						
 AV1*1	21-pin scart connector including audio/video input, RGB input, S-Video input, and Analogue TV audio/video output.						
 AV2*2	21-pin scart connector including audio/video input, RGB input, S-Video input, and audio/video output.						
 COMPONENT IN	Supported formats: 1080p, 1080i, 720p, 576p, 576i, 480p, 480i Y: 1 Vp-p, 75 ohms, 0.3V negative sync/Pb/Cb: 0.7 Vp-p, 75 ohms/ Pr/Cr: 0.7 Vp-p, 75 ohms						
 COMPONENT IN	Audio input (phono jacks)						
HDMI IN 1, 2, 3, 4	Video: 1080p, 1080p24, 1080i, 720p, 576p, 576i, 480p, 480i Audio: Two channel linear PCM 32, 44.1 and 48 kHz, 16, 20 and 24 bits, Dolby Digital PC (see page 17) Analogue audio (minijack) (HDMI 1 only)						
 AV3	Video input (phono jack)						
 AV3	Audio input (phono jacks)						
 DIGITAL AUDIO OUT (OPTICAL)	Digital optical jack (Two channel linear PCM, Dolby Digital)						
 Audio output (Left/Right) (phono jacks)	Audio output (Left/Right) (phono jacks)						
PC IN 	PC Input (15 Dsub) (see page 17) G: 0.7 Vp-p, 75 ohms, non Sync on Green/B: 0.7 Vp-p, 75 ohms/ R: 0.7 Vp-p, 75 ohms, H/V Sync: TTL level  PC audio input (minijack)						
	Headphones jack						
	USB port						
	CAM (Conditional Access Module) slot						
<b>Power and others</b>							
Power Requirements	220–240 V AC, 50 Hz						
Screen Size (measured diagonally)	46 inches / Approx. 117 cm	40 inches / Approx. 102 cm	37 inches / Approx. 94 cm	32 inches / Approx. 80 cm	26 inches / Approx. 66 cm	22 inches / Approx. 55 cm	
Display Resolution	1,920 dots (horizontal) × 1,080 lines (vertical) (KDL-46EX4xx, KDL-40BX4/EX4/NX5xx, KDL-37EX4xx, KDL-32BX4/EX4/NX5xx) 1,366 dots (horizontal) × 768 lines (vertical) (KDL-32BX3/EX3xx, KDL-26EX3xx, KDL-22EX3xx)						
Power consumption	in “Home”/ “Standard” mode	142 W	110 W	95 W	73 W	52 W	39 W
	in “Shop”/ “Vivid” mode	183 W	146 W	120 W	94 W	62 W	46 W

Model name		KDL-46EX4xx	KDL-40BX4/EX4/NX5xx	KDL-37EX4xx	KDL-32BX3/BX4/EX3/EX4/NX5xx	KDL-26EX3xx	KDL-22EX3xx
Standby Power Consumption*3		0.19 W					
Off mode Power Consumption		0.18 W					
Average annual energy consumption*4		207 kWh	161 kWh	139 kWh	107 kWh	76 kWh	57 kWh
Dimensions (w × h × d) (Approx.)	(with stand)	112.7 x 71.1 x 29.4 cm	102.3 x 66.5 x 31.0 cm (KDL-40NX5xx) 99.6 x 63.5 x 25.0 cm (KDL-40BX4xx) 99.2 x 63.5 x 25.0 cm (KDL-40EX4xx)	92.1 x 59.9 x 25.1 cm	82.5 x 55.4 x 26.0 cm (KDL-32NX5xx) 80.4 x 53.2 x 22.0 cm (KDL-32BX3/BX4xx) 80.0 x 53.2 x 22.0 cm (KDL-32EX3/EX4xx)	67.2 x 45.9 x 22.0 cm	55.1 x 40.2 x 21.5 cm
	(without stand)	112.7 x 67.4 x 10.2 cm	102.3 x 62.8 x 10.0 cm (KDL-40NX5xx) 99.6 x 59.8 x 9.9 cm (KDL-40BX4xx) 99.2 x 59.8 x 10.0 cm (KDL-40EX4xx)	92.1 x 56.4 x 9.8 cm	82.5 x 51.7 x 10.2 cm (KDL-32NX5xx) 80.4 x 49.7 x 9.6 cm (KDL-32BX3/BX4xx) 80.0 x 49.7 x 9.7 cm (KDL-32EX3/EX4xx)	67.2 x 42.3 x 9.9 cm	55.1 x 36.7 x 8.2 cm
Mass (Approx.)	(with stand)	20.4 kg	22.4 kg (KDL-40NX5xx) 15.6 kg (KDL-40BX4xx) 15.9 kg (KDL-40EX4xx)	13.6 kg	15.5 kg (KDL-32NX5xx) 10.7 kg (KDL-32BX3/BX4xx) 11.0 kg (KDL-32EX3/EX4xx)	8.8 kg	6.6 kg
	(without stand)	18.1 kg	19.2 kg (KDL-40NX5xx) 13.6 kg (KDL-40BX4xx) 13.9 kg (KDL-40EX4xx)	11.6 kg	13.0 kg (KDL-32NX5xx) 9.2 kg (KDL-32BX3/BX4xx) 9.5 kg (KDL-32EX3/EX4xx)	7.3 kg	6.0 kg
Supplied Accessories		Refer to "1: Checking the accessories" on page 4.					
Optional Accessories		See "Installing the Accessories (Wall-Mount Bracket)" on page 12.					

\*1 AV1 outputs available only for analogue TV.

\*2 AV2 outputs watching screen (except PC, HDMI, Component, USB).

\*3 Specified standby power is reached after the TV finishes necessary internal processes.

\*4 4 hours a day and 365 days a year.

Design and specifications are subject to change without notice.



## PC Input Signal Reference Chart for PC IN

Signals	Horizontal (Pixel)	Vertical (Line)	Horizontal frequency (kHz)	Vertical frequency (Hz)	Standard
VGA	640	480	31.5	60	VGA
SVGA	800	600	37.9	60	VESA Guidelines
XGA	1024	768	48.4	60	VESA Guidelines
WXGA	1280	768	47.4	60	VESA
WXGA	1280	768	47.8	60	VESA
WXGA	1360	768	47.7	60	VESA
SXGA	1280	1024	64	60	VESA
UXGA	1600	1200	75	60	VESA
HDTV	1920	1080	67.5	60	EIA


- This TV's PC input does not support Sync on Green or Composite Sync.
- This TV's PC input does not support interlaced signals.
- This TV's PC input supports signals in the above chart with a 60 Hz vertical frequency.

## PC Input Signal Reference Chart for HDMI IN 1, 2, 3 and 4

Signals	Horizontal (Pixel)	Vertical (Line)	Horizontal frequency (kHz)	Vertical frequency (Hz)	Standard
VGA	640	480	31.5	60	VGA
SVGA	800	600	37.9	60	VESA Guidelines
XGA	1024	768	48.4	60	VESA Guidelines
WXGA	1280	768	47.4	60	VESA
WXGA	1280	768	47.8	60	VESA
WXGA	1360	768	47.7	60	VESA
SXGA	1280	1024	64	60	VESA


---

# Troubleshooting

Check whether the  (standby) indicator is flashing in red.

## When it is flashing

The self-diagnosis function is activated.

Press  on the side of the TV to turn it off, disconnect the mains lead, and inform your dealer or Sony service centre.

If the red LED flashes 19 times, please switch off the set and remove the faulty USB device.

If the red LED flashes 20 times, please switch off the set and remove the faulty CAM device.

## When it is not flashing




- 1 Check the items in the tables below.
- 2 If the problem still persists, have your TV serviced by qualified service personnel.



- You can refer to the complete troubleshooting section in the on-screen instruction manual.
- For further information, please contact Sony Customer Information Centre at the address or telephone that appears on the supplied guarantee.

## Picture

### No picture (screen is dark) and no sound

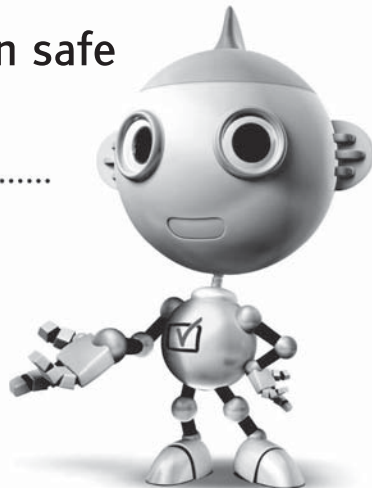
- Check the aerial/cable connection.
- Connect the TV to the mains, and press  on the side of the TV.
- If the  (standby) indicator lights up in red, press **I**/.

### Only snow and noise appear on the screen

- Check if the aerial is broken or bent.
- Check if the aerial has reached the end of its serviceable life (three to five years in normal use, one to two years at the seaside).

# Keep this important information about how to re-tune your TV during the digital TV switchover

Keep this information safe  
— you'll need it



Television in the UK is going digital, bringing us all more choice and new services. Starting in late 2007 and ending in 2012, television services in the UK will go completely digital, TV region by TV region. Please see overleaf to find out when your area switches to digital.

Digital UK is the independent, non-profit organisation leading the process of digital TV switchover in the UK. Digital UK provides impartial information on what people need to do to prepare for the move to digital, and when they need to do it.

## How the switchover affects your TV equipment:

Your new TV has a digital tuner built in, which means it is ready to receive the Freeview signal by simply plugging it into your aerial socket (check if you can get digital TV through your aerial now, or whether you'll have to wait until switchover, at [www.digitaluk.co.uk](http://www.digitaluk.co.uk)).

When the TV switchover happens in your area, there are at least two occasions when you will need to re-tune your TV in order to continue receiving your existing TV channels, and also to pick up new ones. Digital UK, the body leading the digital TV switchover, will advise you when you need to re-tune during the switchover. If you choose to connect your TV to satellite or cable with a digital box then it will not be affected by switchover, and you won't need to re-tune.

## How to re-tune:

- 1 Press "**HOME**" on the remote
- 2 Press ⇐/⇒ to select "Settings"
- 3 Press ⇅/⇅ to select "Set-up", then press ⊕
- 4 Press ⇅/⇅ to select "Digital Set-up", then press ⊕
- 5 Press ⇅/⇅ to select "Digital Tuning", then press ⊕
- 6 Press ⇅/⇅ to select "Digital Auto Tuning", then press ⊕
- 7 Follow the on screen instructions.

If you are missing any channels, it may be that they are not available in your area, or that your aerial needs upgrading.

If you have any questions, please contact

Sony on **08705 111 999** or call Digital UK on **0845 6 50 50 50** or visit [www.digitaluk.co.uk](http://www.digitaluk.co.uk)

## When does switchover happen?

\*Copeland switches on October 17, 2007

The exact date you switch depends on the transmitter you are served by. To check when you switch, go to Digital UK's postcode checker on [www.digitaluk.co.uk](http://www.digitaluk.co.uk). Check your ITV news service or look at Teletext page 106 to see what TV region you're in.

Visit us at [digitaluk.co.uk](http://digitaluk.co.uk) call us on **0845 6 50 50 50\***

\*Calls charged at BT rate of 3p per minute daytime and 1p per minute evenings and weekends. Rates may vary for calls from non-BT lines.