

# HIGH PERFORMANCE A4 MONOCHROME LASER PRINTER

## EPSON EPL-6200 SERIES



**Reliable and high-quality output:** print speeds up to 20 ppm, 1200dpi resolution, 10.3 seconds first page out time.

**Simple to integrate:** USB and parallel interfaces as standard and optional network interface, Windows and Mac compatible.

**Highly compact and versatile:** standard 250-sheet paper cassette, optional 500-sheet paper cassette and duplex unit.

**Easy to use and maintain:** live status information, automatic trouble shooting, pre-installed easy access consumables, 30,000 page maximum monthly volume.

### No waiting for great prints

This high performance business printer delivers quality prints, fast. It delivers crisper, sharper text and smoother images at up to 20 ppm. Simple operation, straightforward maintenance and impressive reliability leaves you free to concentrate on your business communications.

### Efficient network management

To enable simple configuration, monitoring and management across your network, the Epson EPL-6200 series is easy to use and available with EpsonNet configuration and monitoring tools. It is compatible with your PC or Mac environment, suits all main emulations and legacy applications, and can even be configured and managed remotely.

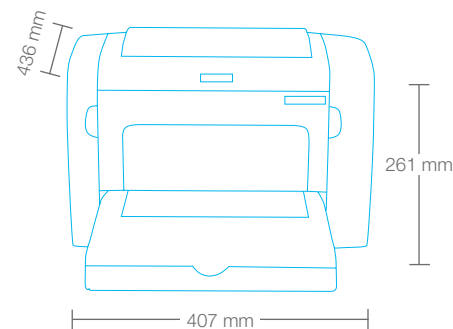
### Handles all your printing needs

Versatility is key to good business printing. This printer has the power and flexibility to produce what you want, when you want it. You can print on labels, transparencies and letter heads, with excellent results on both plain and recycled paper. And the Epson EPL-6200 series can even help you save on paper and storage costs with the optional duplex unit.

# PRODUCT SPECIFICATIONS

## EPSON EPL-6200 SERIES

<b>PRINT FEATURES</b> Printing technology Resolution Print speed First page out Warm up time Maximum monthly volume	Laser 1200dpi RiT* (*Epson Resolution Improvement Technology) A4: 20ppm Less than 10.3 seconds Less than 21 seconds 30,000 pages
<b>CONTROLLER SPECIFICATIONS</b> Processor Memory Printer control language emulations Resident typefaces	200MHz Standard: 16MB, Max: 272MB Genuine Adobe® PostScript® 3, PCL6, ESC/Page™, ESC/P2™, FX, I239X Scalable: 17 for PS3, 80 for PCL6, 92 for PCL5e, 84 for ESC/Page™ Bitmap: 1 for PCL6, 7 for PCL5e & ESC/Page™ Barcodes: 4 for PCL5e & ESC/Page™
<b>INTERFACES AND CONNECTIVITY</b> Standard interfaces  Optional interfaces Network printing protocols (network models only)  Network management protocols (network models only)	EPL-6200: Parallel, USB 2.0 compliant EPL-6200N: Ethernet, Parallel, USB 2.0 compliant Type-B interface (EPL-6200 only) TCP/IP: LPR, FTP, IPP, PORT2501, PORT9100 MS Network: NetBIOS over TCP/IP, NetBIOS over NetBEUI Netware: Operation mode, Standby, NDS Print Server, Bindery Print Server, Remote Printer AppleTalk TCP/IP: SNMP, HTTP, TELNET, DHCP, BOOTP, APIPA, PING, DDNS, Rendezvous (mDNS), SNTP, SSDP MS Network (NetBEUI): SNMP NetWare: SNMP AppleTalk: SNMP
<b>CONSUMABLES LIFE</b> Toner cartridges  Photoconductor	High yield toner cartridge: 6,000 pages (C13S050166) Standard yield toner cartridge: 3,000 pages (C13S050167) Initial toner cartridge: 3,000 pages 20,000 pages (C13S051099)
<b>MEDIA HANDLING</b> Standard paper input Maximum paper input Paper size  Paper weight Optional paper handling  Standard paper output	Up to 250 sheets 750 sheets (standard 250-sheet paper cassette + optional 500-sheet paper cassette) A4, B5, A5, LT, HLT, GLT, EXE, LGL, GLG, F4, Mon, DL, C5, C6, C10, IB5 Custom size from 76 x 127 mm to 216 x 356 mm 60-163 g/m2 500-sheet paper cassette (C12C802042), duplex unit (requires the additional paper cassette C12C802051), 20 sheet face up output tray attachment (C12C802081) Up to 100 sheets
<b>POWER REQUIREMENTS</b> Norms Rated voltage/frequency/current Power consumption	Directives IEC61000-4-4, IEC60801-2 220V to 240V ±10% / 50Hz or 60Hz ± 3Hz / less than 4.5 A Av operating 372W - Av standby 48W - Av sleep 7W
<b>SYSTEM REQUIREMENT &amp; OS SUPPORT</b> PC requirement OS supported  Mac requirement OS supported Linux/Unix/Citrix/SAP/Novel Support	IEEE1284 ECP mode, USB or 10/100BaseTX Ethernet Windows® 95 / NT 4.0 / 98 / 2000 / Me / XP / XP x64 / Vista / Vista x64 / Server 2003 / Server 2003 x64 / Server 2008 / Server 2008 x64 / Terminal Server 2003 / Terminal Server 2008 EtherTalk or USB Mac OS 7.6 to 9.2 / Mac OS X 10.2 to 10.5 For compatibility details relating to Linux, Unix, Novell, SAP, etc. Please refer to <a href="http://www.business-solutions.epson.co.uk/Compatible.htm">http://www.business-solutions.epson.co.uk/Compatible.htm</a>
<b>ADDITIONAL SOFTWARE</b> Drivers Software	Printer driver, Epson Status Monitor 3 Network utilities, network guide, reference guide, paper jam guide
<b>DIMENSIONS AND WEIGHT</b> (W x D x H mm, Kg)	Main unit: 407 x 436 x 261 mm, 7 Kg
<b>ENVIRONMENTAL CONDITIONS</b> Temperature Humidity Sound pressure	Operation: 10 to 35 °C, storage: 0 to 35 °C Operation: 15 to 85% RH, storage: 15 to 85% RH Operating: 54 dB(A), stanby: 39 dB(A)
<b>SAFETY AND REGULATIONS</b> Safety standards EMC/EMI  Ozone generation Materials Chemical regulations	Directives EN 60950, IEC60950, GB4943, EN60825-1 Directives EN 55022, EN 55024, EN 61000-3-2, EN 61000-3-3, CISPR 22, GB9254, GB17625 0.02m g/m3 or less Not containing any materials prohibited by any country's regulations Conform to OSHA, TSCA, and EINECS
<b>WARRANTY*</b> Standard Optional	1 year on-site Optional extension to 3 years ECPGRP35



### MODEL CONFIGURATION

- EPL-6200 C11C533011BY
- EPL-6200N includes ethernet interface C11C533011BL
- EPL-6200DT includes duplex unit and 500-sheet paper cassette C11C533011BN
- EPL-6200DTN includes ethernet interface, duplex unit and 500-sheet paper cassette C11C533011BM

### SUPPLIES

- Standard yield toner cartridge (3,000 pages) C13S050167
- High yield toner cartridge (6,000 pages) C13S050166
- Photoconductor unit (20,000 pages) C13S051099
- Initial cartridge: 3,000 pages

### OPTIONS

- 500-sheet paper cassette C12C802042
- Duplex unit\* C12C802051
- 20 sheet face up output tray attachment C12C802081
- Extension to 3 year on-site warranty ECPGRP35

\* The 500 sheet paper cassette must be fitted before a duplex unit can be added.

\* Warranty offers are not available in all countries. Please contact your local Epson representative for more information.

## Better Products for a Better Future™

At Epson, we know that planning for the future requires a strong commitment to the environment. That is why we strive to create innovative products that are reliable, recyclable, and energy efficient. Better products that use fewer resources help ensure a better future for us all.



For more information please contact

Telephone: 0871 222 6702 (UK)  
01 436 7742 (Republic of Ireland)  
E-mail: enquiries@epson.co.uk  
Chat: etalk.epson-europe.com  
Fax: 0871 222 6740

Web: [www.epson.co.uk](http://www.epson.co.uk)  
[www.epson.ie](http://www.epson.ie)

Trademarks and registered trademarks are the property of Seiko Epson Corporation or their respective owners.  
Product information is subject to change without prior notice.

# EPSON®