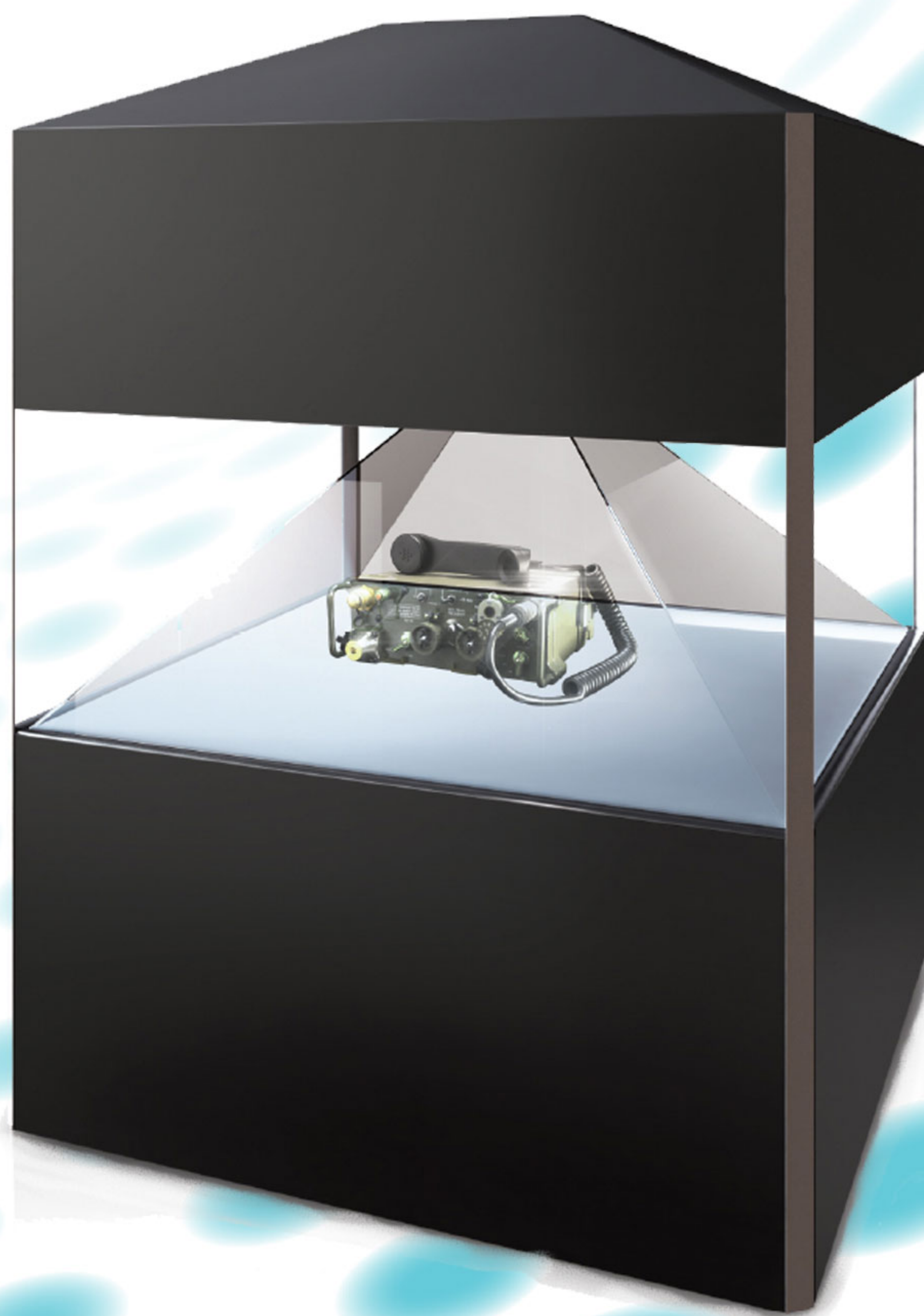


# dreamoc™

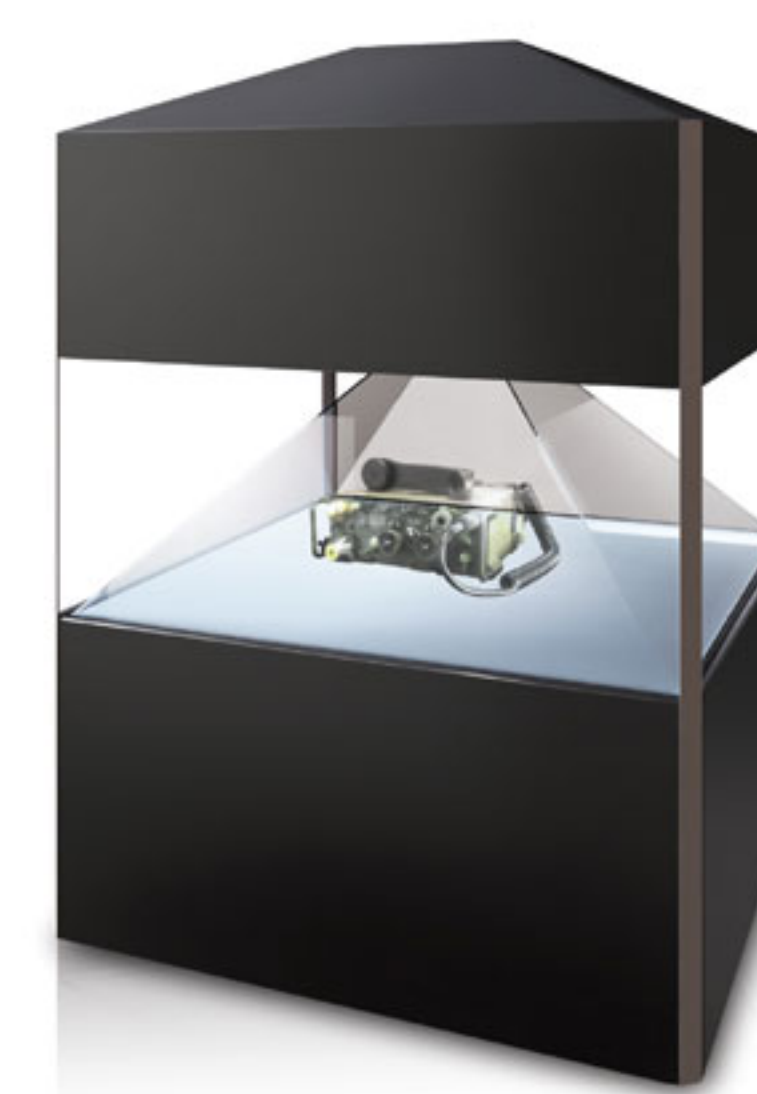
## Scandinavia 360 XXL

Factsheet  
version 6





The Dreamoc Scandinavia 360 XXL is a 4 sided holographic display, which lets you combine a physical product with 3D holographic content. The chamber can be seen from all 4 sides and is designed for open floor placement. The unit is delivered in flightcases and must be assembled at the place of installation.



## FEATURES

- 4 sided viewing
- Combine physical objects with holographic content
- Key protected door
- Easy change of content

- High ambient light tolerance
- Bright and sharp picture quality
- Remote Up/Download for content via FTP
- Remote configuration via HTTP

## SPECIFICATIONS

Consumption	980 W (max)
Power input	100-240V, 50-60 Hz
Projection:	4 pcs DLP projectors
Resolution	HD - 720P per side
Content	WMV9, MPEG2
Sound out	Mini-jack
LED	15 W
Input	CF Card

## MEASUREMENTS

product assembled

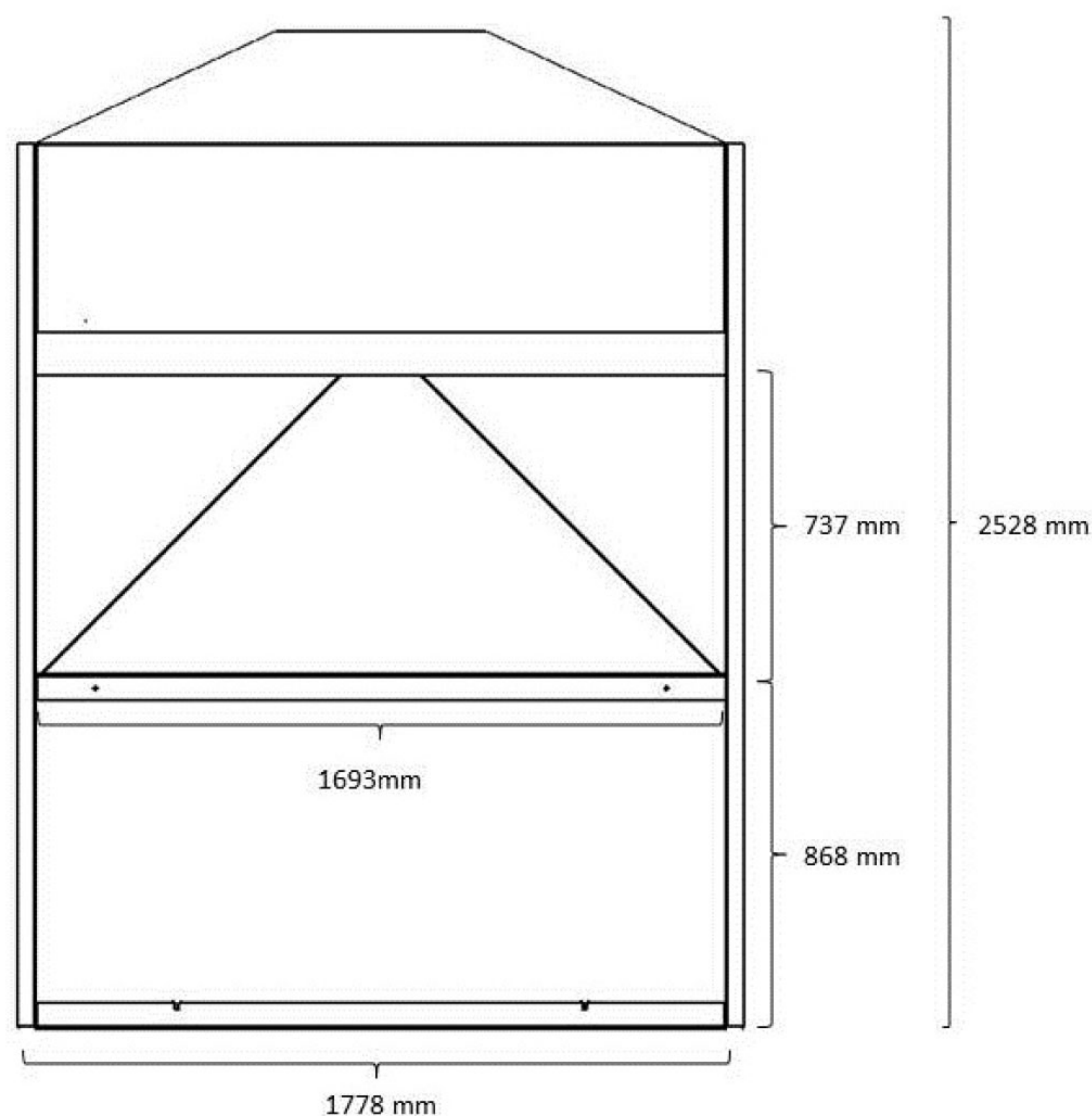
WxHxD	1778 x 1778 x 2528 mm
Weight	170 Kg (approx)

Freight measurements (flightcase 1)

WxHxD	1900 x 720 x 1970 mm
Weight	250 Kg (approx)

Freight measurements (flightcase 2)

WxHxD	1920 x 720 x 1480 mm
Weight	200 Kg (approx)

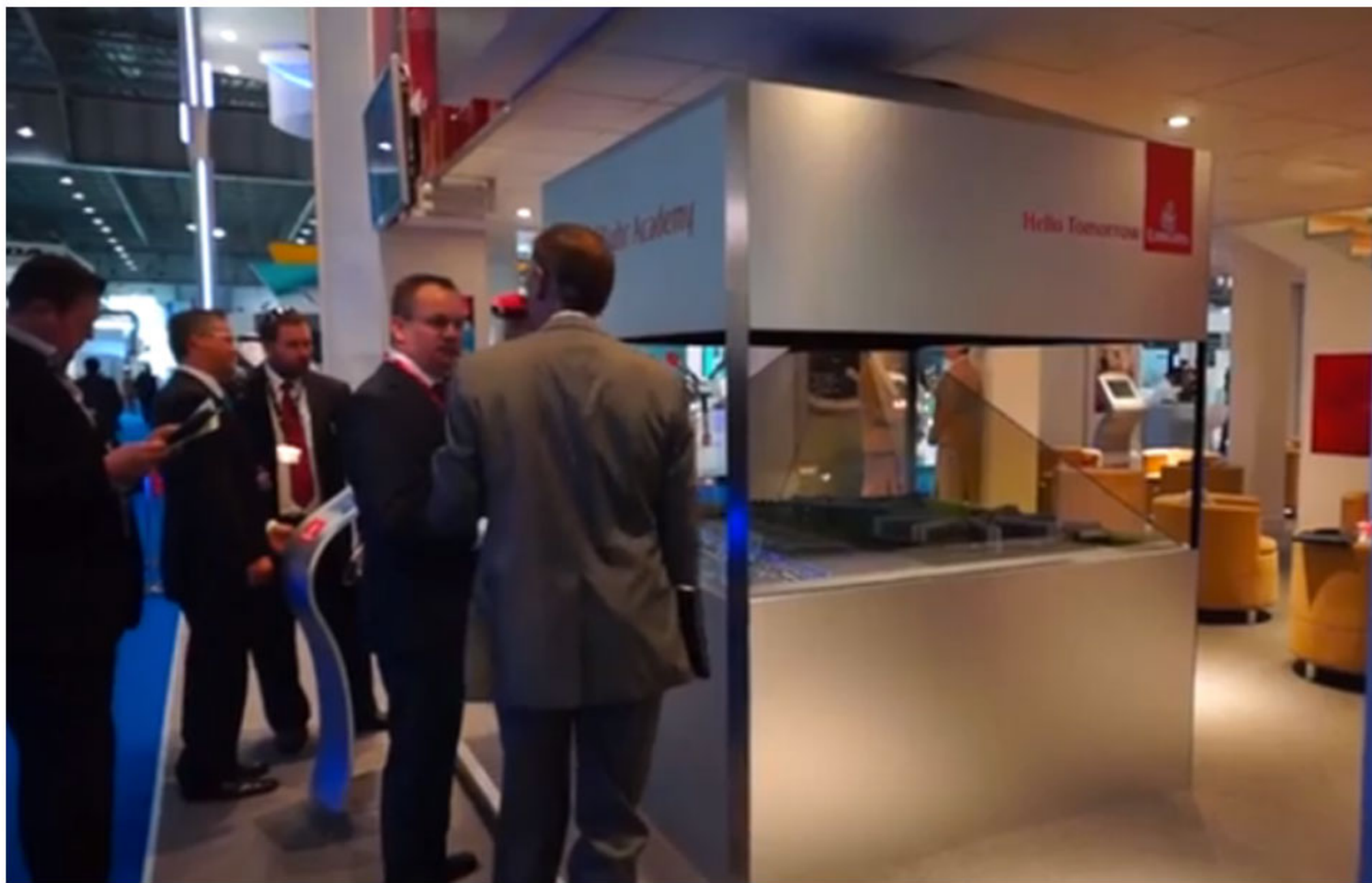


## PACKAGE CONTENT

- Dreamoc Scandinavia 360XXL disassembled
- Player HD Full Feature
- CF Card 2 GB
- Cleaning cloth
- Keys (2 pcs)
- User Manual
- Assembly Instructions



PICTURES



Specifications are subject to change without notice. We accept no liability for errors and changes.