

CP-AW2519NM

ULTIMATE究極 INTERACTIVE



ULTIMATE INTERACTIVE WXGA LCD PROJECTOR

The Ultimate Short Throw series provides high performance projection in small spaces. By integrating Hitachi Starboard software with advanced projector technology, the CP-AW2519NM can deliver the complete interactive experience on any flat surface. The compact, lightweight chassis makes this projector easy to install and flexible to use. With the bundled wall-mount and optional table top kit you can project onto any existing whiteboard, wall or tabletop.

Interactive

- Pen-based single touch interactive system with Hitachi Starboard™ software
- Rapid, precise response to user input
- WXGA resolution (1280 x 800)
- 80" (2m) image from only 53cm*
- 2500 ANSI lumens (Normal Mode)
- 2000:1 contrast ratio
- Full connectivity including HDMI
- Perfect Fit – adjust all four corners and sides of the image individually to achieve a distortion free image
- Table top mount facility
- 10W speaker
- Anti theft features

Cost of ownership

- Extended Hybrid Filter life – up to 5000 hour cleaning cycle
- Extended lamp life – up to 5000 hours in Eco Mode
- Virtually maintenance free
- Easy setup and installation
- Wall mount included in the box

*from centre of mirror to screen

Advanced Network Features

- Full connectivity including 1 x RJ-45
- Configure and control projector via network with a web browser
- Projector management via SNMP
- Content via LAN
- AMX Device Discovery
- Messenger
- PJ Link™
- Network Bridge

Environment

- The extended Hybrid Filter life means reduced electronic waste and reduced maintenance visits, resulting in an overall reduction in carbon footprint

Hitachi have formulated an "Environmental Vision" to contribute towards building a sustainable society through business and product development.

Our goal is to develop life-enhancing technology that will contribute to and realise a truly sustainable society for current and future generations.

Starboard™ software requirements

- CPU: Intel Pentium 4 1.8GHz or faster
- RAM: minimum 1GB
- Display colours: minimum 16 bit
- Operating system (OS): Windows XP 32bit/Windows Vista 32bit/Windows 7 32/64bit (the latest service pack must be applied) (Tablet PC Edition and Server Edition are not supported)
- Software required: Internet Explorer 6.0/7.0/8.0 (for viewing Online Help and using Internet search functions) PowerPoint 2002/2003/2007/2010 (for viewing PowerPoint documents) Microsoft DirectX 9.0c/Windows Media Player 9 or above (for using movie features) Adobe Flash Player 10 (for using Flash object)
- Others: DVD drive, video card with hardware overlay feature (for using movie features)



HITACHI
Inspire the Next

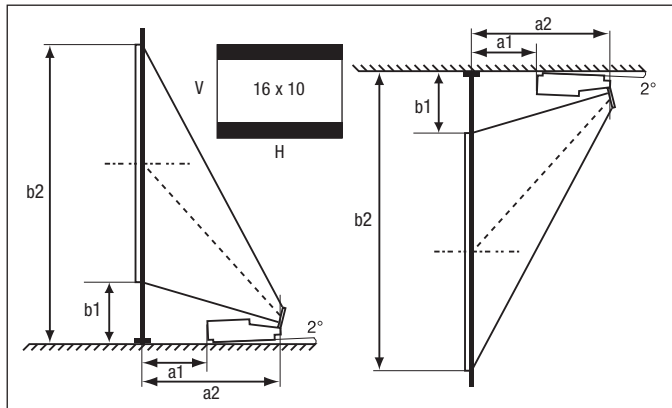
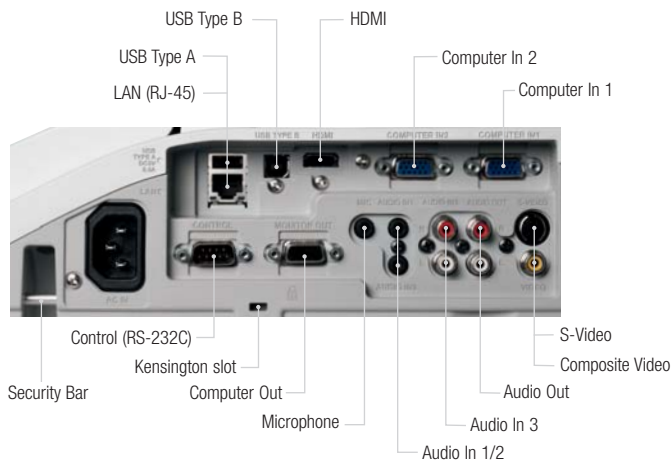
CP-AW2519NM Technical Specifications



Wall mount

Interactive pen

Table mount (optional)



Throw distance (from the top of the lens)

Screen size (diagonal)	H x V		a1	a2	b1	b2
	(m)	(m)				
60" (1.5m)	1.3	0.8	0.120	0.426	0.295	1.102
70" (1.8m)	1.5	0.9	0.188	0.494	0.332	1.274
80" (2.0m)	1.7	1.1	0.256	0.562	0.369	1.446
90" (2.3m)	1.9	1.2	0.324	0.631	0.407	1.618
100" (2.5m)	2.2	1.3	0.392	0.699	0.444	1.791

Starboard™ software special requirements

For Webcam playback and capturing feature

- DV (Digital video, DV cameras, D-VHS)
- Capture devices which support DirectShow (with WDM drivers)

For Conference host feature

- CPU: Intel Core 2 Duo 2.0GHz or faster
- Free hard drive space: 2GB or more
- RAM: 2GB or more
- Others: TCP/IP 54Mbps or above

OPTICAL

Interactive sensor (IR and ultrasonic waves system)	Single touch, an interactive pen is required
LCD Panel	0.59" (1.5cm) P-Si TFT x3
Resolution	WXGA (1280 x 800)
Brightness	Normal Mode 2500 ANSI Lumens Eco Mode 1700 ANSI Lumens
Colour light output	2500 ANSI Lumens
Contrast Ratio	2000:1
Lens	Free shaped lens and motorised free shaped mirror
Lamp Wattage	210W UHB
Lamp Life	3000 Hours (Normal Mode)/5000 Hours (Eco Mode)*
Distance to Width Ratio (:1)	0.3:1 (fixed)
Diagonal Display Size	60~100" (152~254cm)
Number of Colour	8 Bit/colour, 16.7M colours
Keystone	Fixed, 5.2:-1 upward shift

COMPATIBILITY

Computer Compatibility	IBM Compatible VGA, SVGA, XGA, WXGA, WXGA+, SXGA, WSXGA+, UXGA, MAC 16"
Video Compatibility	NTSC/PAL/SECAM/PAL-M/PAL-N/NTSC4.43 SDTV: 525i(480i), 525p(480p), 625i(576i) HDTV: 750p (720p@60Hz), 1125i(1080i@50/60Hz), 1125p(1080p@50/60Hz) DDC2B
Plug & Play	DDC2B

FEATURES

Speakers	10W Mono
Basic functions	Freeze, Magnifying, Blank, Auto adjustment, Search
Picture adjustments	Equalizing Gamma Correction, 2-3 pull down, Progressive Scan, Noise Reduction, Perfect Fit
Digital keystone	Manual V Keystone correction, Manual H Keystone correction
Advanced features	PC-less drawing function (optional wireless tablet required), MyScreen, My Memory, My Button by remote control, Blackboard/Whiteboard mode, Daytime Mode, Input source naming (English), Resolution setting, Template, Saving mode, AudioPass through, My Text
Outward	Easy Lamp replace from Top, Rear intake air filter
Power on & off	Quick ON, Direct ON, Direct Off
Security systems	PIN Security Lock, MyScreen Password Lock, Transition Detector, My Text Password Lock, Key Lock (key pad, remote control), Kensington slot, Security bar, Lens door lock
Network	Configure and control projector via web browser, receive alerts via e-mail, projector management via SNMP, Scheduling, My Image, displaying text data transferred via the network, Command Control via network, AMX Device Discovery, Messenger, PJ Link™, Network Bridge, content via LAN, MAC address displayed on the side
OSD Languages	English, French, German, Spanish, Italian, Norwegian, Dutch, Korean, Japanese, Portuguese, Simplified Chinese, Traditional Chinese, Swedish, Russian, Finnish, Polish, Turkish, Arabic, Persian, Czech, Danish, Hungarian, Romanian, Slovenian, Croatian, Greek, Lithuanian, Estonian, Latvian, Thai, Portuguese (Brazil), Indonesian, Vietnamese

CONNECTIONS

Digital Input	1 x HDMI
Computer Input	2 x 15-pin Mini D-sub
Computer Output	1 x 15-pin Mini D-sub
Video Input	1 x RCA Jack (for composite) 1 x S-Video Jack
Audio Input	2 x Component D-sub (shared with analogue RGB) 2 x Stereo Mini Jack 1 x pair RCA (L/R) 1 x Microphone Jack
Audio Output	1 x pair RCA (L/R)
Control	1 x 9-pin D-sub for RS232 control
USB	1 x USB type A for PC-less presentation and optional wireless pen tablet 1 x USB type B for mouse control
Wired network	1 x RJ-45

POWER

Power Supply	AC100-120V/220-240V, auto switching
Power Consumption	300 W
Power Consumption in Standby	<0.3W

PHYSICAL

Dimensions (W x H x D)	345 x 102 x 303mm (excluding feet and extrusions when mirror is closed)
Weight	4.1Kg
Noise Level	34dB (Normal)/28dB (Eco)
Air Filter	Hybrid

MISCELLANEOUS

Lamp indicator light, Power light, Ceiling mount image, Rear projection image, Serial number label on side

CERTIFICATION

UL60950-1/C-UL, FCC Part 15 Class A, CE, AS/NZS CISPR22 Class A

ACCESSORIES SUPPLIED

Remote control with batteries, RGB cable, power cord, cable cover, security label, user manual (detail & concise), wall mount (HAS-K250), interactive pen with batteries, USB cable (5m), Starboard™ software and manual, Application DVD (Starboard™ software)

OPTIONAL ACCESSORIES

Replacement lamp	DT01181
Table top stand	TT-251

WARRANTY

Projector warranty	3 Years
Lamp warranty	Please consult your local Hitachi agent for the latest offer