

rotronic

Datenblatt - Fiche technique - Data sheet

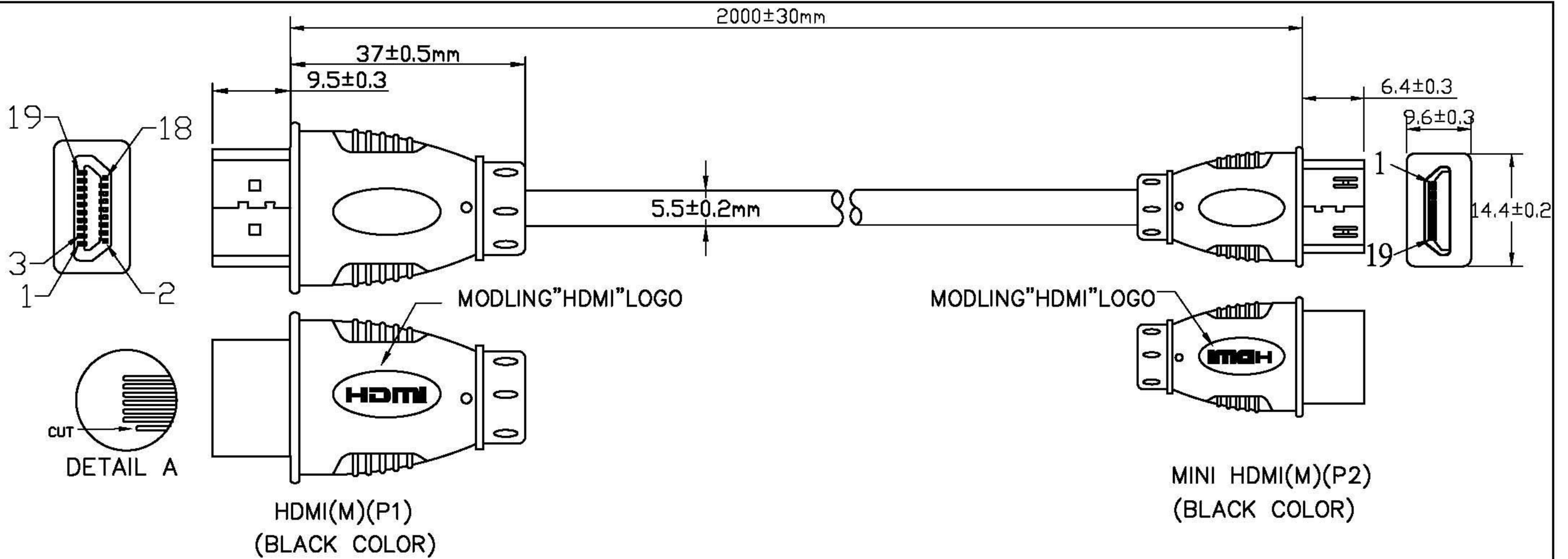
11.99.5580



**VALUE HDMI High Speed Kabel mit Ethernet,
HDMI ST – Mini HDMI ST, 2,0m**

**VALUE Câble HDMI High Speed avec Ethernet,
HDMI M – Mini HDMI M, 2,0m**

**VALUE HDMI High Speed Cable with Ethernet,
HDMI Type A M – HDMI Type C M, 2 m**

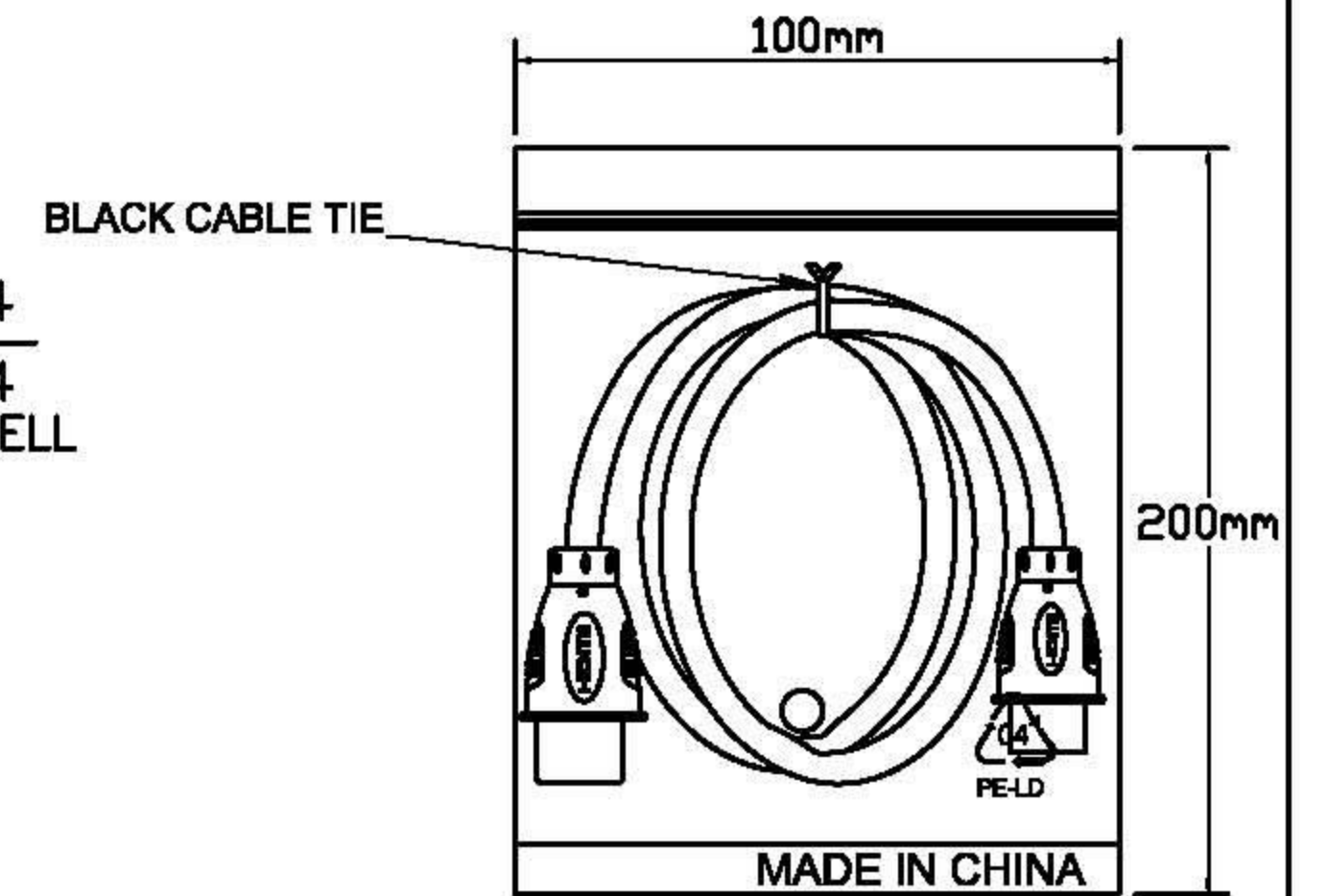


NOTE:

1. CABLE: 32AWG,UL20276,AL+B-FOIL,[(#32*1P+D+FAM)*5PCS+#32*4C]+AM+B,
BLACK COLOR,OD=5.5mm,PVC JACKET
2. LENGTH: 2M.
3. CONNECTORS: HDMI19P(M)*1,MINI HDMI19P*1(BLACK INSULATOR)(SHELL NICKEL).
4. MOLD: MOLDING TYPE.
5. CONTACTS:

| | | | | | | | | | | | | | | | | | | | | |
|----|-------------|---|--------|-------------|---|--------|-------------|---|--------|---------------|----|---------|---------------|----|---------|-------------------------|----|----|----|-------------|
| P1 | 1 | 3 | 2 | 4 | 6 | 5 | 7 | 9 | 8 | 10 | 12 | 11 | 14 | 19 | 17 | 13 | 15 | 16 | 18 | 64 |
| P2 | 2 3 PAIR | | 1 G | 5 6 PAIR | | 4 G | 8 9 PAIR | | 7 G | 11 12 PAIR | | 10 G | 17 19 PAIR | | 13 G | 14 15 16 18 32AWG*4C | | | | 64 SHELL |

6. OPEN/SHORT TEST: 100% TEST.
 - A. 100% OPEN, SHORT & INTERMITTANCE TEST.
 - B. CONDUCTOR RESISTANCE: 3ohms MAX:
 - C. INSULATION RESISTANCE: 2M Min/300V DC, 10ms:
 - D. WITHSTANDING VOLTAGE: 2mA Max/300V AC, 1 SEC.
 - E. THE DIMENSIONS MARKED "▽" SHALL BE CHECKED.
7. ALL MUST BE MEET ON ROHS COMPLIANT.



| | | | | | | | | |
|-----------------|--|--------------------|--------------------|-----------|---|-------------------|--------------------|--|
| Title: | VALUE HDMI High Speed Cable w.Eth, A M-C M | ITEM NO. | 11.99.5580 | NO | B | Rotronic Co.,Ltd. | SCALE | |
| REVISION | DATE | DISCRIPTION | DRAWN BY | | | | UNIT(mm) | |
| REV.A/0 | 2011.08.31 | | DESIGNED BY | | | | DRAWING NO. | |
| | | | APPROVAL BY | | | | | |