

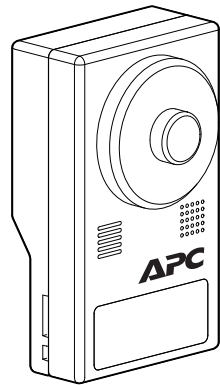


by Schneider Electric

# NetBotz Camera Pod 165

Installation and Quick Start

NBPD0165



Customer support and warranty information is available at [www.apc.com](http://www.apc.com).

© 2018 APC by Schneider Electric. All rights reserved.

990-5974-001

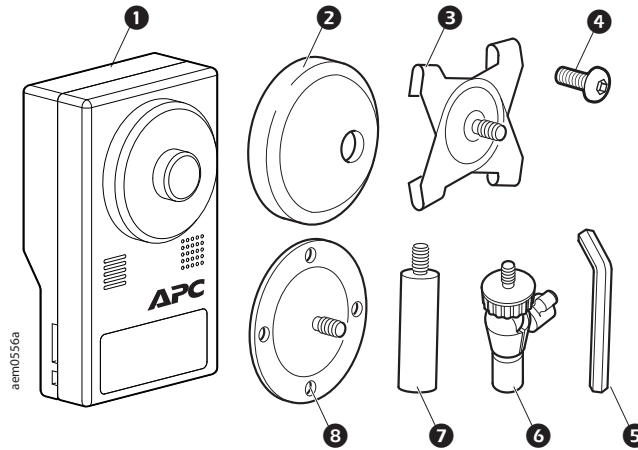
10/2018

## Product Description

The APC by Schneider Electric® NetBotz Camera Pod 165 is a motion-sensitive camera capable of sending image data through a connection to a NetBotz Rack Monitor 750. The Camera Pod 165 can be triggered by the appliance in response to a number of environmental alarms or events, such as a temperature spike or the action of opening a door. The Camera Pod 165 can also provide constant surveillance of an area or entrance.

**Attention:** THE EQUIPMENT CONTAINS, AND THE SOFTWARE ENABLES, VISUAL RECORDING CAPABILITIES, THE IMPROPER USE OF WHICH MAY SUBJECT YOU TO CIVIL AND CRIMINAL PENALTIES. APPLICABLE LAWS REGARDING THE USE OF SUCH CAPABILITIES VARY BETWEEN JURISDICTIONS AND MAY REQUIRE AMONG OTHER THINGS EXPRESS WRITTEN CONSENT FROM RECORDED SUBJECTS. YOU ARE SOLELY RESPONSIBLE FOR INSURING STRICT COMPLIANCE WITH SUCH LAWS AND FOR STRICT ADHERENCE TO ANY/ALL RIGHTS OF PRIVACY AND PERSONALTY. USE OF THIS SOFTWARE FOR ILLEGAL SURVEILLANCE OR MONITORING SHALL BE DEEMED UNAUTHORIZED USE IN VIOLATION OF THE END USER SOFTWARE AGREEMENT AND RESULT IN THE IMMEDIATE TERMINATION OF YOUR LICENSE RIGHTS THEREUNDER.

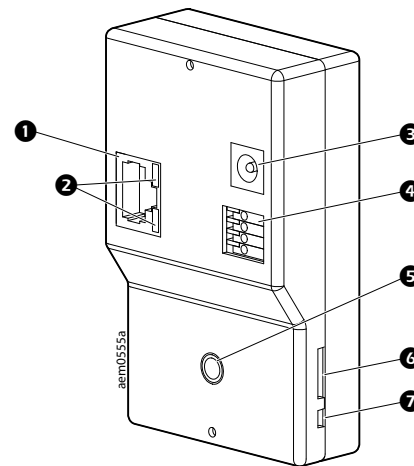
## Inventory



Item	Description	Quantity
1	Camera Pod 165	1
2	Rubber bracket cover	1
3	T-bar mounting plate	1
4	Set screw*	1
5	Hex wrench*	1
6	Ball-joint adjuster arm	2
7	Extender arm	2
8	Mounting plate	1

\*Not used

## Physical Description



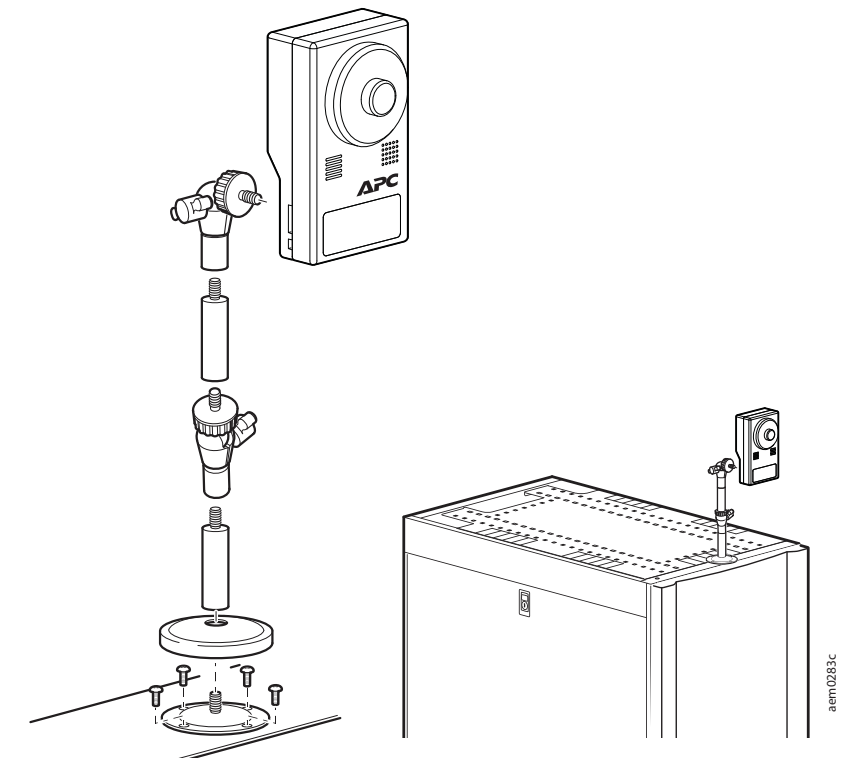
Item	Description
1	RJ-45 port For network and PoE connections.
2	Network LEDs Link LED: turns green to indicate a good network connection. Activity LED: flashes orange to indicate network activity
3	Power jack Reserved for future use
4	Alarm In/Out Reserved for future use
5	Mounting hole Used to mount the Camera Pod 165
6	Micro SD card slot Reserved for future use
7	Reset button Press for at least 20 seconds to reset to factory defaults

## Installation

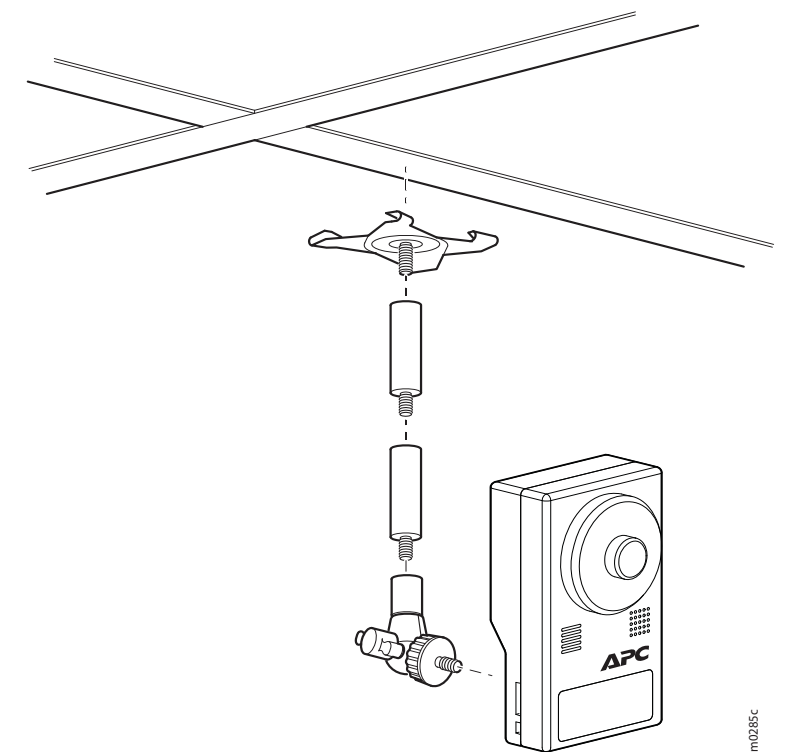
Choose the mounting option (rack, wall, or ceiling) that meets your needs. Then connect the Camera Pod 165 to your NetBotz appliance or to the network.

### Rack mount

Use a #32 drill to make four 2.94 mm (0.116 in) pilot holes in the rack. (Screws not provided.)

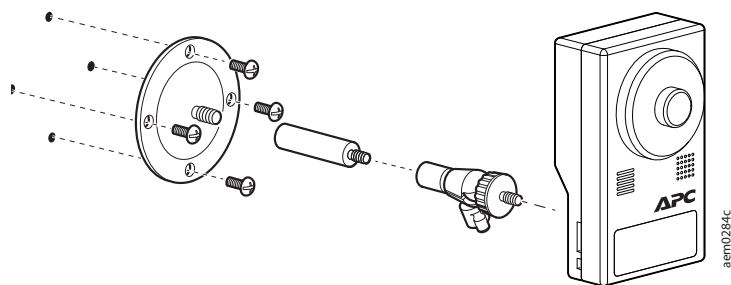


### Ceiling mount



## Wall mount

(Screws not provided.)



## Connect the Camera Pod 165 to the appliance

Use a Power over Ethernet (PoE) ready, CAT-5 Ethernet cable to connect the Camera Pod 165 to the Private LAN port of the Rack Monitor 750.

## Connect the Camera Pod 165 to your network

Use a PoE ready, CAT-5 Ethernet cable; PoE equipment; and a network switch to connect the Camera Pod 165 to your network.

## Configuration

See the *Rack Monitor 750 User Guide* on [www.apc.com](http://www.apc.com) for instructions to configure the camera in the Web User Interface (UI) of the Rack Monitor 750.

The Camera Pod 165 is automatically set to have a dynamic IP address assigned via DHCP. When the Camera Pod 165 is not connected to a Rack Monitor 750, you can use Device Search to view the current IP address of the Camera Pod 165 or to assign a static IP address to the Camera Pod 165.

## Use Device Search to discover the IP address

1. Connect your computer to the same subnet as the Camera Pod 165.
2. Go to the CameraPod 165 product page on [www.apc.com](http://www.apc.com). Download and open the **DeviceSearch** executable file.
3. In the **Device Search** window, select **All NetCard** from the **Local Broadcast** drop down list and click **Device Search**. Wait for the search to finish. You can identify you Camera Pod 165 by its MAC address, which you can find on the back of the unit.

## Use Device Search to set a static IP address

1. Follow the instructions to discover the IP address of the Camera Pod 165.
2. In the **Device Search** window, right-click the Camera Pod 165, and select **Network Setup** to open the **Network Setup** window.
3. Select **Static IP**, and enter the static **IP address**, default gateway (**Gateway**), Subnet Mask (**Netmask**), and Domain Name System server (**DNS**) for your Camera Pod 165.

## Adjust the focus

Remove the lens cover. Twist the lens to the right to focus on objects closer to the Camera Pod 165. Twist the lens to the left to focus on objects farther from the Camera Pod 165.

## Upgrade the Firmware

You can find firmware upgrades for the Camera Pod 165 on the applicable product page of [www.apc.com](http://www.apc.com).

See the Frequently Asked Questions (FAQ) article FA355195 for instructions to upgrade the firmware. Go to [www.apc.com](http://www.apc.com). Navigate to **Support > Resources > FAQs**, then enter the article number in the search bar.

## Specifications

Electrical	
Power Source	Power over Ethernet
Power Consumption: Operation (802.3af) system	3.7 W
Mechanical	
Dimensions (H x W x L)	96.51 x 56 x 61.4 mm (3.78 x 2.2 x 2.42 in.)
Weight	120 g (0.26 lb)
Environmental	
Operating temperature	0–45°C (32–113° F)
Humidity	10–90%, no condensation
Compliance	
	CE
	FCC

## Two-Year Factory Warranty

This warranty applies only to the products you purchase for your use in accordance with this manual.

## Terms of warranty

APC by Schneider Electric warrants its products to be free from defects in materials and workmanship for a period of two years from the date of purchase. APC by Schneider Electric will repair or replace defective products covered by this warranty. This warranty does not apply to equipment that has been damaged by accident, negligence or misapplication or has been altered or modified in any way. Repair or replacement of a defective product or part thereof does not extend the original warranty period. Any parts furnished under this warranty may be new or factory-remanufactured.

## Non-transferable warranty

This warranty extends only to the original purchaser who must have properly registered the product. The product may be registered at the APC by Schneider Electric Web site, [www.apc.com](http://www.apc.com).

## Exclusions

APC by Schneider Electric shall not be liable under the warranty if its testing and examination disclose that the alleged defect in the product does not exist or was caused by end user's or any third person's misuse, negligence, improper installation or testing. Further, APC by Schneider Electric shall not be liable under the warranty for unauthorized attempts to repair or modify wrong or inadequate electrical voltage or connection, inappropriate on-site operation conditions, corrosive atmosphere, repair, installation, exposure to the elements, Acts of God, fire, theft, or installation contrary to APC by Schneider Electric recommendations or specifications or in any event if the APC by Schneider Electric serial number has been altered, defaced, or removed, or any other cause beyond the range of the intended use.

**THERE ARE NO WARRANTIES, EXPRESS OR IMPLIED, BY OPERATION OF LAW OR OTHERWISE, OF PRODUCTS SOLD, SERVICED OR FURNISHED UNDER THIS AGREEMENT OR IN CONNECTION HERewith. APC BY SCHNEIDER ELECTRIC DISCLAIMS ALL IMPLIED WARRANTIES OF MERCHANTABILITY, SATISFACTION AND FITNESS FOR A PARTICULAR PURPOSE. APC BY SCHNEIDER ELECTRIC EXPRESS WARRANTIES WILL NOT BE ENLARGED, DIMINISHED, OR AFFECTED BY AND NO OBLIGATION OR LIABILITY WILL ARISE OUT OF, APC BY SCHNEIDER ELECTRIC RENDERING OF TECHNICAL OR OTHER ADVICE OR SERVICE IN CONNECTION WITH THE PRODUCTS. THE FOREGOING WARRANTIES AND REMEDIES ARE EXCLUSIVE AND IN LIEU OF ALL OTHER**

**WARRANTIES AND REMEDIES. THE WARRANTIES SET FORTH ABOVE CONSTITUTE APC BY SCHNEIDER ELECTRIC'S SOLE LIABILITY AND PURCHASER'S EXCLUSIVE REMEDY FOR ANY BREACH OF SUCH WARRANTIES. APC BY SCHNEIDER ELECTRIC WARRANTIES EXTEND ONLY TO PURCHASER AND ARE NOT EXTENDED TO ANY THIRD PARTIES.**

**IN NO EVENT SHALL APC BY SCHNEIDER ELECTRIC, ITS OFFICERS, DIRECTORS, AFFILIATES OR EMPLOYEES BE LIABLE FOR ANY FORM OF INDIRECT, SPECIAL, CONSEQUENTIAL OR PUNITIVE DAMAGES, ARISING OUT OF THE USE, SERVICE OR INSTALLATION, OF THE PRODUCTS, WHETHER SUCH DAMAGES ARISE IN CONTRACT OR TORT, IRRESPECTIVE OF FAULT, NEGLIGENCE OR STRICT LIABILITY OR WHETHER APC BY SCHNEIDER ELECTRIC HAS BEEN ADVISED IN ADVANCE OF THE POSSIBILITY OF SUCH DAMAGES. SPECIFICALLY, APC BY SCHNEIDER ELECTRIC IS NOT LIABLE FOR ANY COSTS, SUCH AS LOST PROFITS OR REVENUE, LOSS OF EQUIPMENT, LOSS OF USE OF EQUIPMENT, LOSS OF SOFTWARE, LOSS OF DATA, COSTS OF SUBSTITUENTS, CLAIMS BY THIRD PARTIES, OR OTHERWISE.**

**NO SALESMAN, EMPLOYEE OR AGENT OF APC BY SCHNEIDER ELECTRIC IS AUTHORIZED TO ADD TO OR VARY THE TERMS OF THIS WARRANTY. WARRANTY TERMS MAY BE MODIFIED, IF AT ALL, ONLY IN WRITING SIGNED BY AN APC BY SCHNEIDER ELECTRIC OFFICER AND LEGAL DEPARTMENT.**

## Warranty claims

Customers with warranty claims issues may access the APC by Schneider Electric customer support network through the Support page of the APC by Schneider Electric Web site, [www.apc.com/support](http://www.apc.com/support). Select your country from the country selection pull-down menu at the top of the Web page. Select the Support tab to obtain contact information for customer support in your region.

## Radio Frequency Interference

### USA—FCC

This equipment has been tested and found to comply with the limits for a Class A digital device, pursuant to part 15 of the FCC Rules. These limits are designed to provide reasonable protection against harmful interference when the equipment is operated in a commercial environment. This equipment generates, uses, and can radiate radio frequency energy and, if not installed and used in accordance with the instructions, may cause harmful interference to radio communications. Operation of this equipment in a residential area is likely to cause harmful interference in which case the user will be required to correct the interference at his own expense.

### European Union

This product is in conformity with the requirements of EU Council Directive 2014/53/EU. This product may cause radio interference in which case the user may be required to take adequate measures. APC by Schneider Electric cannot accept responsibility for any failure to satisfy the protection requirements resulting from an unapproved modification of the product.