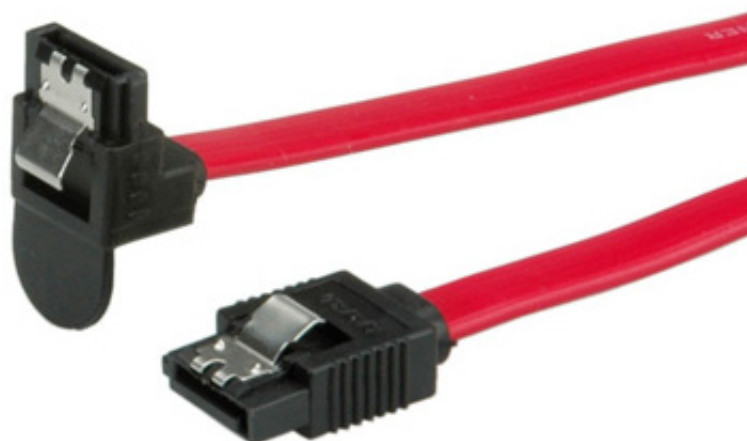


rotronic

Datenblatt - Fiche technique - Data sheet

11.03.1565

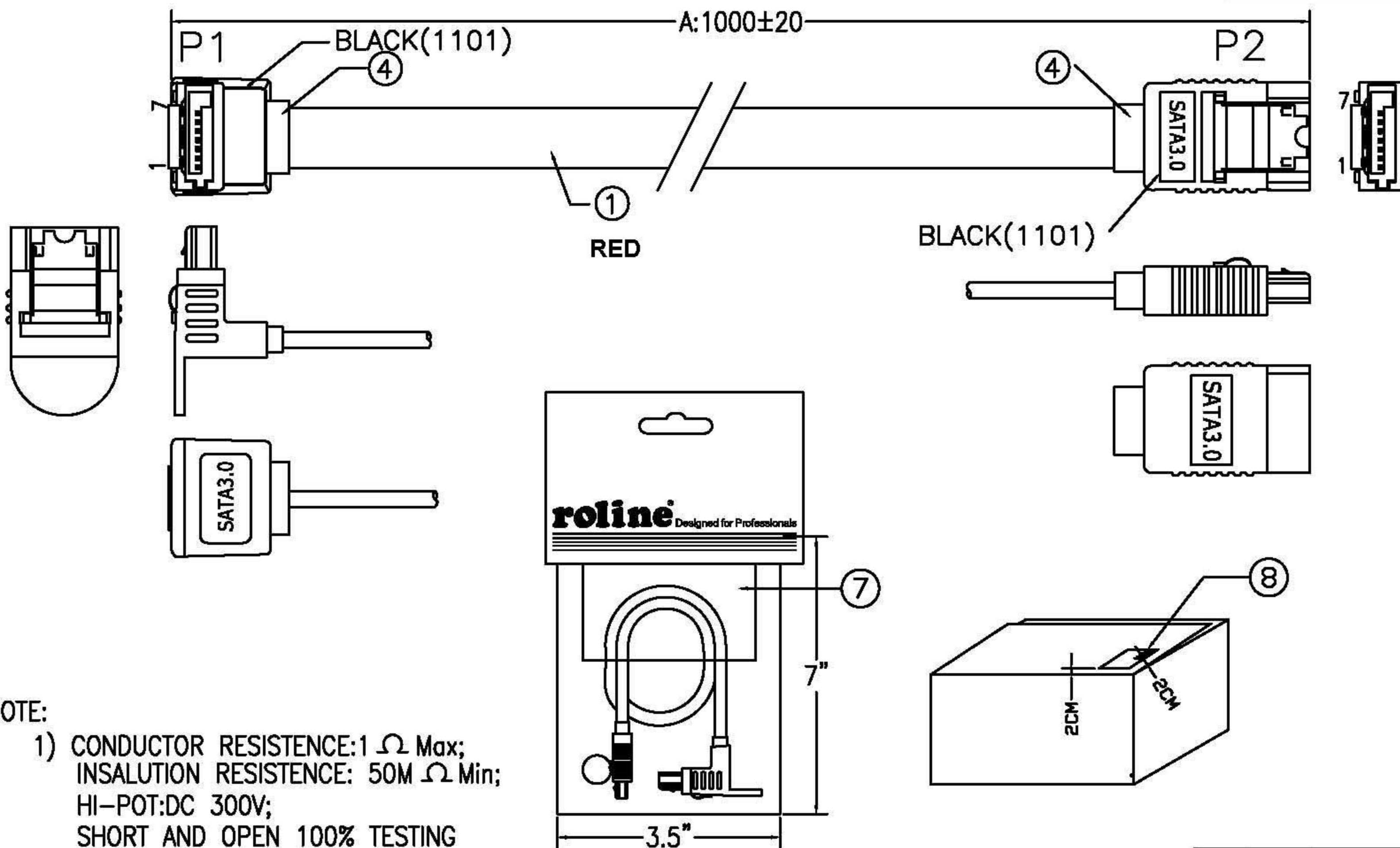


**ROLINE Int. SATA 6.0 Gbit/s HDD-Kabel mit Schnappverschluss,
gewinkelt, 1,0m**

**ROLINE Câble SATA 6.0 Gbit/s interne avec attache, coudé,
1,0 m**

**ROLINE Internal SATA 6.0 Gbit/s Cable, angled, with Latch,
1.0 m**

unit:mm

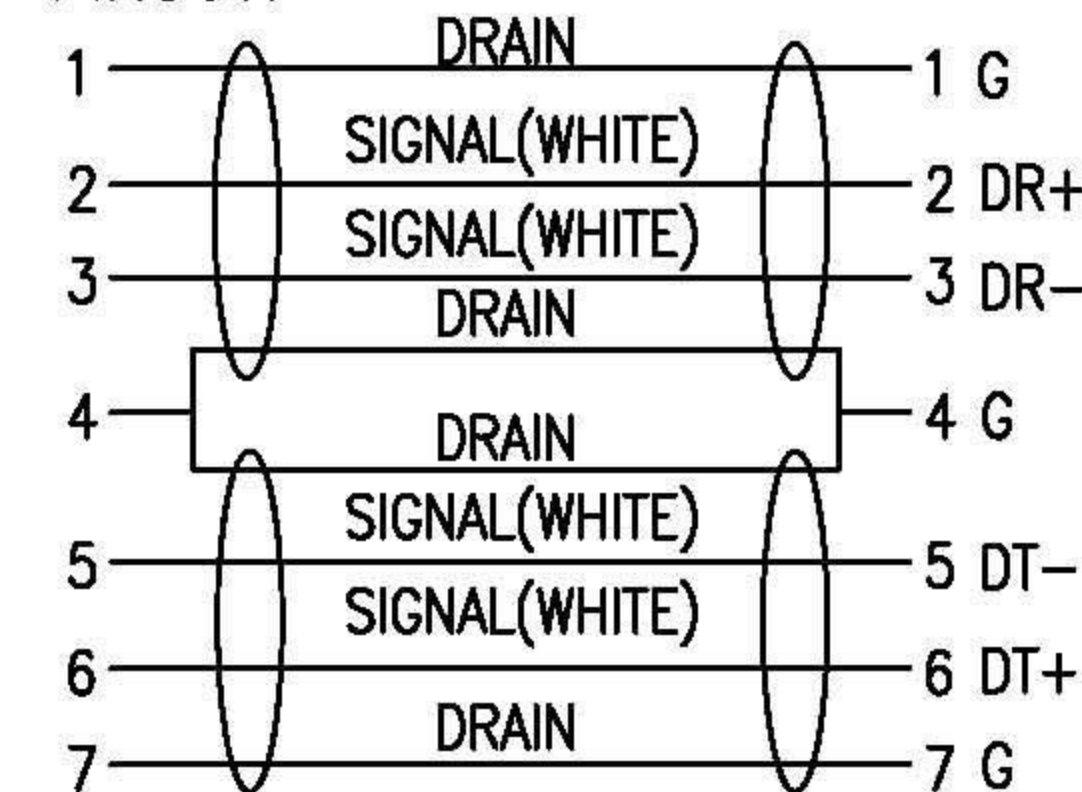


NOTE:

- 1) CONDUCTOR RESISTANCE: 1Ω Max;
INSULATION RESISTANCE: $50M \Omega$ Min;
HI-POT: DC 300V;
SHORT AND OPEN 100% TESTING
DIE NO.: P1 OZ07105 P2 OZ07101
- 2) RoHS COMPLIANT.
- 3) 1PCS/PE BAG+HEADER PAPER+LABEL(7).
- 4) 25PCS/INNER BOX+LABEL(8).
- 5) 2PCS INTO A OUTER BOX.

4	INNER JACKET PE RoHS
3	OUTER JACKET 45Pa PVC BLACK(1101) RoHS
2	SATA 7PIN CONNECTOR BLACK PBT TERMINAL PLATED GOLD 3U"
1	SATA 3.0(2C*26AWG+AL+2D)*2C OD:2.2*7.6MM RED 1000MM RoHS

PINOUT:



A	FIRST EDITION	J. L. 2011	27/01/11
REV.	ECR	DESCRIPTION	C.N. DATE
		Rotronic Co., Ltd.	
UNLESS OTHERWISE SPECIFIED: DIMENSIONS ARE IN MILLIMETERS ANGULAR TOLERANCE: $\pm 1.0^\circ$		ROLINE Internal SATA 6.0 Gbit/s Cable, angled, 1.0m	
DIMENSIONS		TOLERANCE	CHKD.
0.00 TO 30.00mm		± 0.10 mm	
30.01 TO 80.00mm		± 0.13 mm	DR. J. L. 2011
80.01 TO 150.00mm		± 0.15 mm	APPD.
150.01mm		± 0.20 mm	
MATERIAL		PART NO. 11.03.1565	
FINISH		SCALE	SHEET 1/1 UNIT MM SIZE A4 REV. A