

▶ **65UH5B**

65" class (64.5" diagonal)

▶ **55UH5B**

55" class (54.6" diagonal)

▶ **49UH5B**

49" class (48.5" diagonal)

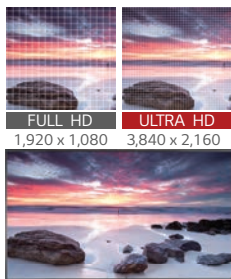


The UH5B Series with webOS signage, allows for customized apps that are easy to create using LG's Software Development Kit. The built-in Wi-Fi and SoC reduces total cost of ownership, simplifies installation, and managing content is easy and convenient.

KEY FEATURES

ULTRA HD RESOLUTION (3840X2160)

Excellent energy-efficiency and cost-savings with the M+ panel*, which decreases power consumption by 31% compared to an RGB panel.



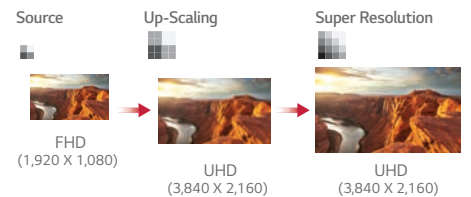
High Efficiency Video Coding

Supports HEVC-based content which has the double data compression ratio than the H.264 so network traffic can be reduced by half.



Up-Scaling and Super Resolution

Up-scaling and Super Resolution technology enhance the quality of FHD content to near-UHD quality.



LOW POWER CONSUMPTION BY M+

Excellent energy-efficiency and cost-savings with the M+ panel*, which decreases power consumption by 31% compared to an RGB panel.



SoftAp

The UH5B with SoftAp software can operate as a wireless access point for mobile devices.



MIRRORING

Content sharing is convenient through a Wi-Fi network.





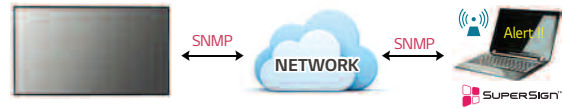
QUAD CORE SOC (SYSTEM-ON-CHIP)

The High Performance SoC can execute several tasks at the same time and provides smooth content playback



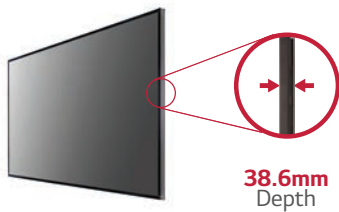
EASY MAINTENANCE WITH REAL TIME REMOTE MONITORING

When an alarm occurs, an e-mail notification is sent using SuperSign C or SI SW through the SNMP Protocol. In case of malfunctions or errors, real-time remote care is available



SLIM DESIGN | NARROW BEZEL

LG's monitors featuring a Direct-LED Backlight, have a stylishly slim design that fit perfectly into narrow spaces while ensuring high energy efficiency. The slim bezels are a perfect fit in confined areas and are easy to install.



webOS LG's webOS enabled displays feature an all-in-one hardware and software platform that allows software developers to install and run their software in a more simplified solution. This approach offers architecture that enables easy-to-build web-based apps across multiple platforms. This approach offers software architecture, including iOS®, Android® and Windows®. Using LG's SDK, integrators can construct their own ideal customized signage solution for their clients.



Run messages on up to 50 display screens in the form of a billboard without any additional hardware. Advertisements, information and broadcast content can be arranged on the same screen to attract attention and deliver specific messaging to your customer base.

LG SuperSign Lite Usage Example
Different layout and designs available.

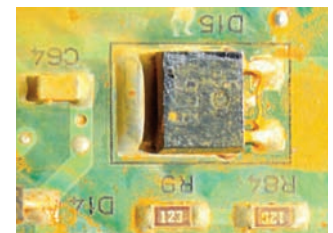


CONFORMAL COATING

Conformal coating helps protect against water, dust and iron powder deposits which accumulate in harsh environments, saving on expensive installation and added enclosure costs.



With Conformal Coating



Without Conformal Coating

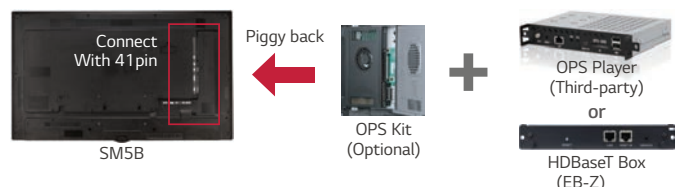
BEACON CONVENIENT SUPPORT

With BEACON and Bluetooth Low Energy (BLE) supported by UH5B, retail stores can provide coupons and information in real-time.

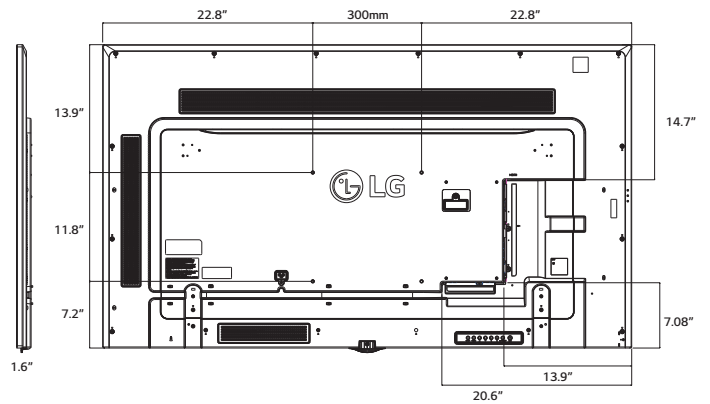
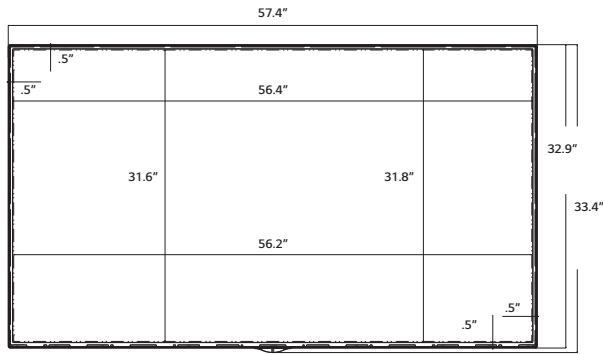


OPS (OPEN PLUGGABLE SPECIFICATION) KIT / HDBASET BOX

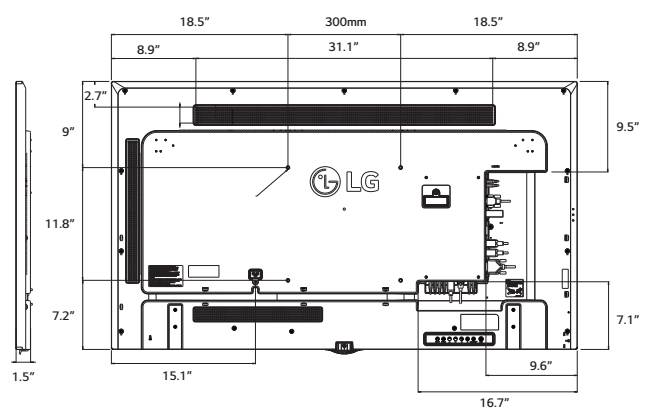
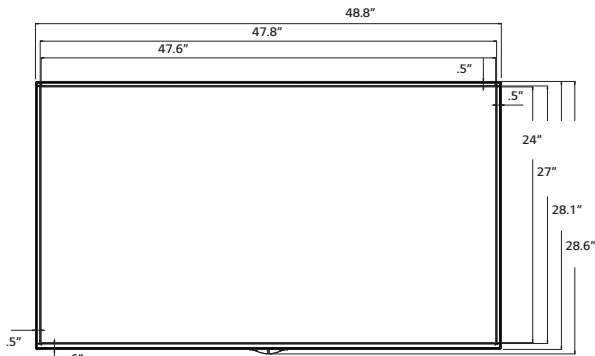
The UH5B provides an OPS Kit to connect a third-party OPS player or HDBaseT box. Users have the flexibility to choose any media player as long as it complies with OPS.



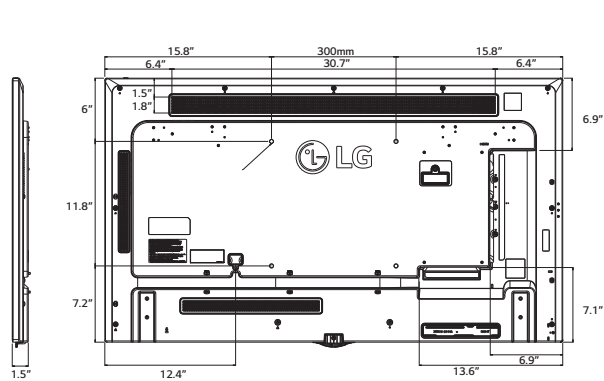
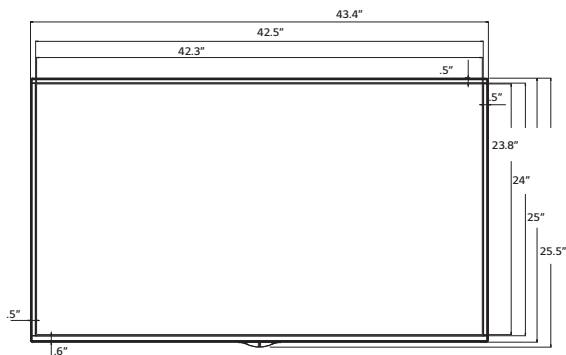
65UH5B



55UH5B

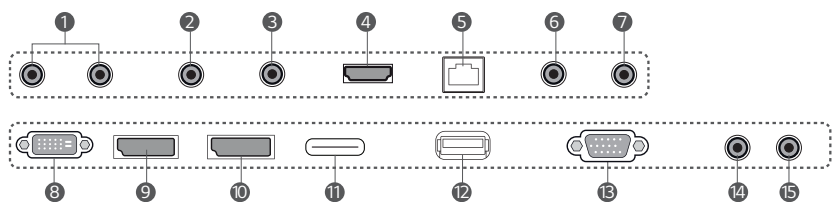


49UH5B



- ① SPEAKER OUT
- ② IR & LIGHT SENSOR
- ③ PIXEL SENSOR
- ④ HDMI
- ⑤ LAN
- ⑥ AUDIO IN
- ⑦ AUDIO OUT
- ⑧ DVI-D IN
- ⑨ DP IN
- ⑩ DP OUT
- ⑪ SD Card
- ⑫ USB 3.0
- ⑬ RGB IN
- ⑭ RS-232C IN
- ⑮ RS-232C OUT

65/55/49UH5B Rear Jack Pack



UH5B

Ultra HD Smart Platform

▶ **65UH5B**

65" class
(64.5" diagonal)

▶ **49UH5B**

49" class
(48.5" diagonal)

▶ **55UH5B**

55" class
(54.6" diagonal)

PANEL	Model name	65UH5B	55UH5B	49UH5B	
PANEL	Screen Size	65" class (64.5" diagonal)	55" class (54.6" diagonal)	49" class (48.5" diagonal)	
	Panel Technology	IPS			
	Aspect Ratio	16 : 9			
	Native Resolution	3840 x 2160 (UHD)			
	Pixels (H x V x 3)	24,883,200			
	Brightness	500cd/m ²			
	Contrast Ratio	1,000:1			
	Dynamic CR	4,000,000:1			
	Color Gamut	68%			
	Viewing Angle (H x V)	178° x 178°			
	Color Depth	1.06 Billion			
	Response Time	8ms (G to G)			
	Surface Treatment	Low Haze 1%			
	Life Time (Typical)	50,000 Hrs			
	Operation Hours	24 Hr			
	INPUT	Orientation	Portrait & Landscape		
		HDMI	Yes (1), HDMI /HDCP2.2		
DP		Yes (1), DP /HDCP1.3			
DVI-D		Yes (1), HDCP2.2			
RGB		Yes (1)			
Audio In		Yes (1), RGB/DVI			
RS232C IN		Yes (1)			
RJ45		Yes (1)			
IR Receiver		Yes (1)			
Pixel Sensor		Yes (1)			
USB (USB3.0)		Yes (1)			
SD Card		Yes (SDHC/Full Size)			
HDTV Formats		HDMI : 720p, 1080i, 1080p, 2160p			
OUTPUT	DP Out	Yes (1), SST/DP1.2a			
	Audio Out	Yes (1)			
	External Speaker Out	Yes (L/R), 6 ohm			
SPECIAL FEATURES	RS232C OUT	Yes (1)			
	Temperature Sensor	Yes			
	Auto Brightness Sensor	Yes			
	Cooling FAN	No			
	Tile Mode	Yes (Up to 15x15)			
	Natural Mode @Tile Mode	Yes			
	Source Selection	RGB, HDMI, DVI, DP, OPS, USB, SD Card			
	Brightness/Contrast/Backlight	Yes			
	Position/Size	Yes			
	Auto Config/Phase	Yes			
	Language (OSD)	English, French, German, Spanish, Italian, Korean, Chinese (Simplified), Chinese (Original), Portuguese (Brazil), Swedish, Finnish, Norwegian, Danish, Russian, Japanese, Portuguese (Europe), Dutch, Czech, Greek			
	ISM Method	Normal, White Wash, Color Wash, User image, User Video, Orbiter Inversion, Washing Bar * Scheduling is supported additionally			
	Advanced Time	Dynamic Contrast, Dynamic Color, Color Gamut, Skin Color, Sky Color, Grass color, Gamma Clock, On/Off Timer, Auto Off, Automatic Standby			
	Input Label	Yes (PC/DTV)			
	Power On Status	Standby, PWR, LST			
Key Operation	IR operation, Local key operation				
DPM Select	Yes				
DPM Wake Up	Yes (Analog: Sync only, Digital: Clock / Clock+Data selectable)				
Energy Saving	Yes (Auto, Minimum, Medium, Maximum, Screen off)				
Smart Energy Saving	Yes				
File Play With USB	Yes				
Internal Memory	8GB (System 4GB + Available 4GB)				
Wi-Fi	802.11n combo built-in				
USB Cloning	Logo image download, Sent to USB, Receive from USB				
Contents Scheduling	USB, Internal memory, SD Card				
Calibration Mode	Yes				
DST	Yes				
Sync Mode	Time sync, Content sync				
PM Mode	Yes				
Framework Update (LAN)	Yes				
Local Time Auto Setting	Yes				
SPECIAL FEATURES	Model name	65UH5B	55UH5B	49UH5B	
SPECIAL FEATURES	Overlay Touch	Yes (*1.5May)			
	Still Image	Yes			
	HDMI-CEC	Yes			
	Wake On LAN	Yes			
	Digital Audio Input	Yes			
	Power On Delay	0 - 250			
	Pivot Mode	Yes			
	Content Rotation	0,90, 270			
	OSD Portrait Mode	0,90, 270			
	Intelligent Auto	Yes			
ENVIRONMENT CONDITIONS	Password Change	Yes			
	SetID Setup	Manual, Auto			
	Configuration Setup	USB auto Playback			
	Lock Mode	USB			
	Fail Over	USB, SD card, RGB, DP, OPS, DVI, HDMI, Internal Memory			
	SuperSign Server Setup	Signage name, Server IP setting, Server IP Status			
	Media Share	Mirroring, SoftAP			
	Beacon	On/Off			
	Embedded Template	Yes			
	Check Screen	Yes			
POWER	OPS PC Power Control	Sync On, Sync On/Off, Disable			
	Operation Temperature	32 °F to 104 °F			
	Operation Humidity	10 % to 80 %			
	Power Supply	100-240V~, 50/60Hz			
	Power Type	Built-In Power			
	Typical	130W	116W	100W	
	Smart Energy Saving	90W	80W	70W	
	DPM	0.5W			
	Power Off	0.5W			
	Balance	Yes			
AUDIO	Audio Power	20W (10W x 2) for External Speaker			
	Speaker On/Off	Yes			
	Clear Voice II	Yes			
	Virtual Surround Plus	Yes			
	Equalizer	Yes			
CERTIFICATION	Sound Mode	Standard, News, Music, Cinema, Sports, Game			
	Safety / EMC / ErP / ENERGY STAR ®	UL / cUL / CB / TUV / KC FCC Class "A" / CE / KCC Yes / No (ENERGY STAR 6.0)			
MEDIA PLAYER COMPATIBILITY	OPS Type Compatible	Yes			
	External Media Player	Yes (MP500/MP700)			
SOFTWARE COMPATIBILITY	SuperSign-w lite	Yes			
	SuperSign-c	Yes			
CABINET	Bezel Color	Black			
	Bezel Width	12.1mm (T), 12.6mm (R/L), 15.7mm (B)	11.9mm (T), 12.4mm (R/L), 15.5mm (B)		
	WxHxD	57.4" x 33.4" x 1.6"	48.8" x 28.6" x 1.5"	43.4" x 25.5" x 1.5"	
	Weight	57.3lbs	36.6lbs	29.3lbs	
	w/Optional Stand WxHxD	57.4" x 36.0" x 12.4"	48.8" x 31.1" x 11.7"	43.4" x 28.1" x 11.7"	
	w/Optional Stand Weight	60.4lbs	39.9lbs	32.6lbs	
	w/Optional Stand & Speakers (WxHxD)	57.4" x 36.1" x 12.4"	48.8" x 31.1" x 11.7"	43.4" x 28.1" x 11.7"	
	w/Optional Stand & Speakers Weight	61.9lbs	41.4lbs	34.2lbs	
	Carton (WxHxD)	61.5" x 38.2" x 7.5"	52.4" x 31.8" x 6.7"	47.1" x 29.9" x 6.5"	
	Carton Weight	TBD	45.2lbs	36.6lbs	
ACCESSORIES	VESA™ Compatible	300 mm x 300 mm			
	Basic	Remote Controller (include battery 2ea), Power Cord, QSG, RGB Cable, Regulation Book, Phone to RS232C Gender, Memory cover			
OTHER	Optional	Speaker (SP-5200), Stand (ST-651T), Pixel sensor (KT-SP0), Media player, Wall bracket (LSW350B), VESA Adapter (AM-B330S), OPS Kit (KT-OPSA), HD Base T (EB-B100)			
	UPC	7 19192 19847 0	7 19192 19846 3	7 19192 19845 6	
WARRANTY	3-Year Limited Warranty Parts/Labor/Backlight Extended warranty options are also available				



LG Electronics U.S.A., Inc.
HE B2B Division
2000 Millbrook Drive
Lincolnshire, IL 60069

Customer Service: 888.865.3026
www.LGSolutions.com/support

Contact your LG Regional Sales Representative:
Channel: 800.897.8871
Hospitality: 800.228.1236
E-mail: info@LGSolutions.com

LG_SPEC_UH5B Series_071515_PR



All screen images are simulated. Dimensions and weights are approximate. Design, specifications, and features subject to change without notice.

© Copyright 2015 LG Electronics USA, Inc. All Rights Reserved. "LG Life's Good" is a registered trademark of LG Corp.

ENERGY STAR is a registered trademark of the U.S. Environmental Protection Agency. In Plane Switching is a trademark of LG Philips LCD Ltd. VESA is a trademark of Video Electronics Standards Association. HDMI, the HDMI logo and High-Definition Multimedia Interface are trademarks or registered trademarks of HDMI Licensing LLC.

All other product and brand names are trademarks or registered trademarks of their respective companies.

Printed in the USA. August 2015