

Lenovo V310

V310-14ISK | V310-15ISK

User Guide



Read the safety notices and important tips in the included manuals before using your computer.

Lenovo[™]

Notes

- Before using the product, be sure to read *Lenovo Safety and General Information Guide* first.
- The latest electronic compliance and environmental information are available from the Lenovo compliance information Web sites.
 - To view compliance information go to: <http://www.lenovo.com/compliance>
 - To download environmental information go to: <http://www.lenovo.com/codeclaration>
- Some instructions in this guide may assume that you are using Windows® 7 or Windows 10. If you are using another Windows operating system, some operations may be slightly different. If you are using other operating systems, some operations may not apply to you.
- The features described in this guide are common to most models. Some features may not be available on your computer or your computer may include features that are not described in this user guide.
- The illustrations used in this manual are for Lenovo V310-15ISK unless otherwise stated.
- The illustrations in this manual may differ from the actual product. Please refer to the actual product.

Regulatory Notice

- For details, refer to **Guides & Manuals** at <http://support.lenovo.com>.

First Edition (March 2016)

© Copyright Lenovo 2016.

LIMITED AND RESTRICTED RIGHTS NOTICE: If data or software is delivered pursuant to a General Services Administration "GSA" contract, use, reproduction, or disclosure is subject to restrictions set forth in Contract No. GS-35F-05925.

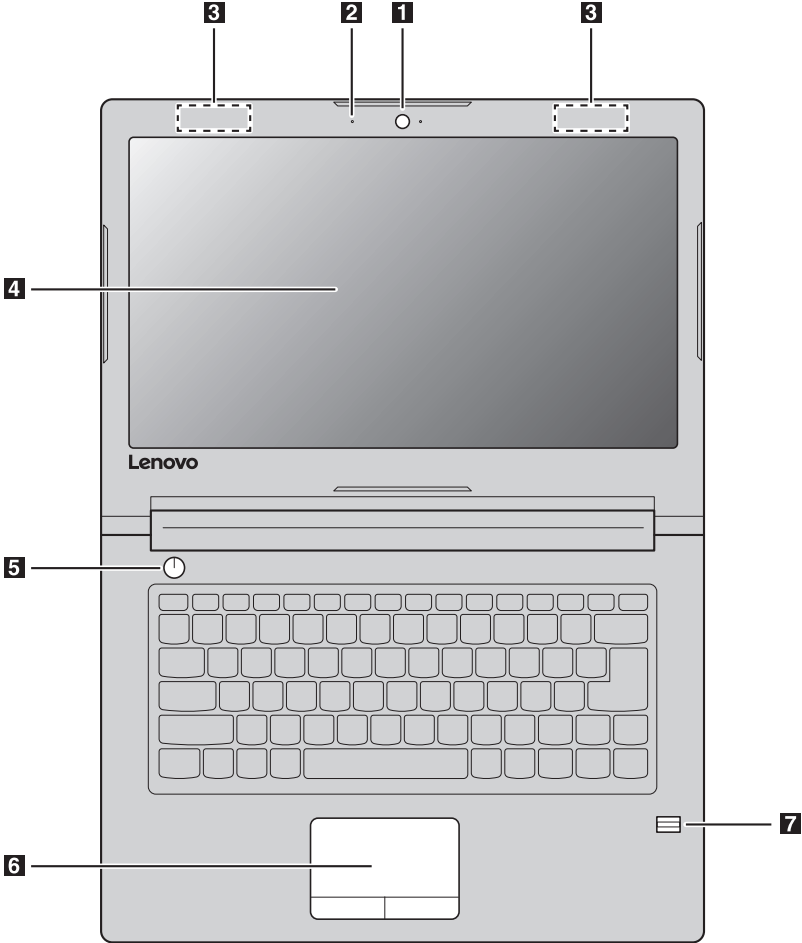
Contents

Chapter 1. Getting to know your computer	1
Top view.....	1
Left-side view	8
Right-side view.....	12
Front view	14
Bottom view.....	16
Chapter 2. Starting to use Windows.....	19
Configuring the operating system for the first time.....	19
Power-saving modes.....	19
Connecting to a wireless network.....	21
Help and support.....	21
Operating system interface (for the Windows 10 operating system).....	22
Task and desktop management (for the Windows 10 operating system).....	24
Get Started app (for the Windows 10 operating system).....	24
Chapter 3. Lenovo OneKey Recovery System.....	25
Chapter 4. Troubleshooting.....	26
Frequently asked questions.....	26
Troubleshooting.....	28
Appendix A. CRU instructions.....	32
Replacing the removable module (on select models).....	32
Trademarks.....	36

Chapter 1. Getting to know your computer

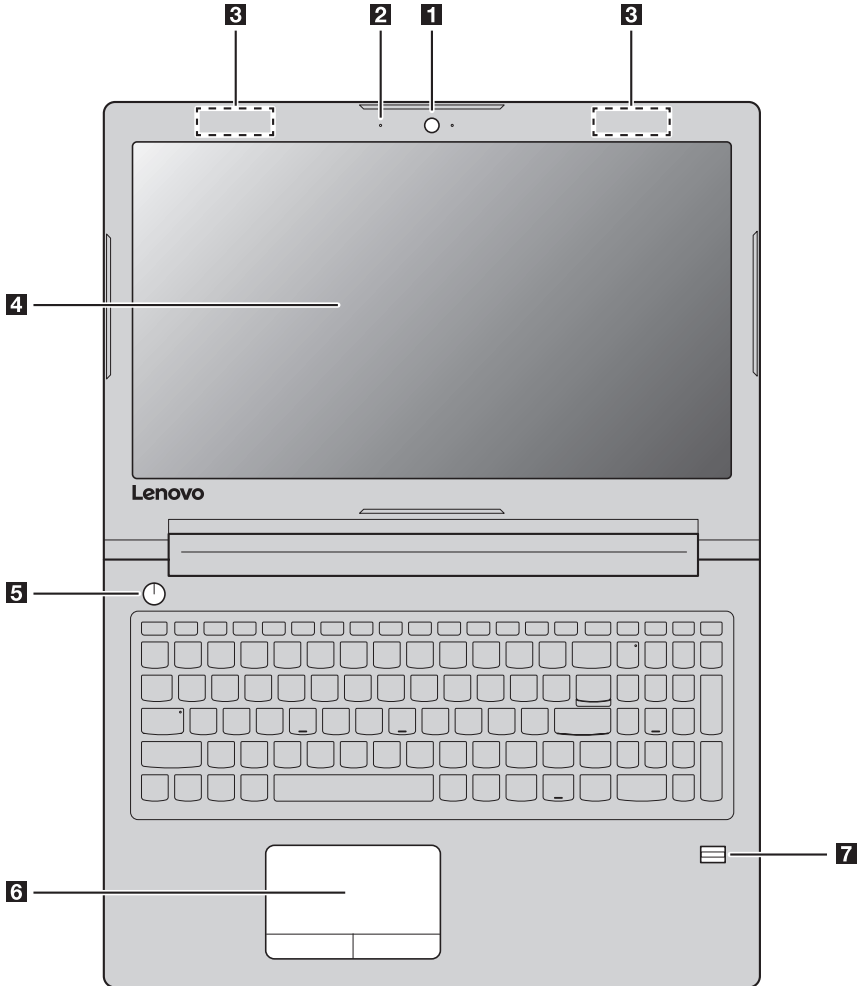
■ ■ Top view

■ Lenovo V310-14ISK



Chapter 1. Getting to know your computer


■ Lenovo V310-15ISK



Note: The dashed areas indicate parts that are not visible externally.

⊙ **Attention:**

- Do *not* open the display panel beyond 180 degrees. When closing the display panel, be careful *not* to leave pens or any other objects in between the display panel and the keyboard. Otherwise, the display panel may be damaged.

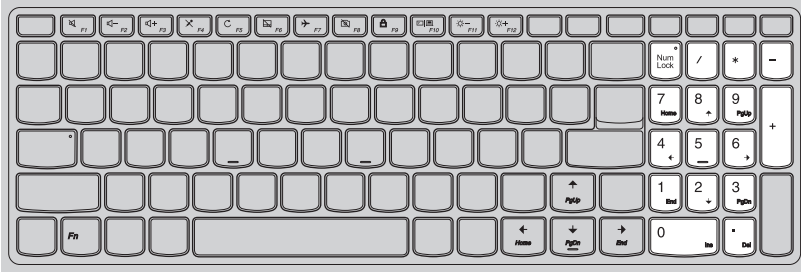
- 1 Integrated camera (on select models)** Use the camera for video communication or taking photos.
 - 2 Built-in microphone** Captures sound which can be used for video conferencing, voice narration, or audio recording.
 - 3 Wireless LAN antennas** Connect to a wireless LAN adapter to send and receive wireless radio signals.
 - 4 Computer display** The computer display with LED backlight provides brilliant visual output.
 - 5 Power button** Press this button to turn on the computer.
 - 6 Touchpad** The touchpad functions as a conventional mouse.
Touchpad: To move the pointer on the screen, slide your fingertip over the pad in the direction in which you want the pointer to move.
Touchpad buttons: The functions of the left/right side correspond to that of the left/right mouse button on a conventional mouse.
- Note:** You can enable/disable the touchpad by pressing **F6** ().
- 7 Fingerprint reader (on select models)** Registers fingerprints that can be used as passwords to secure your computer.

Chapter 1. Getting to know your computer

■ Using the keyboard

Numeric keypad (Lenovo V310-15ISK)

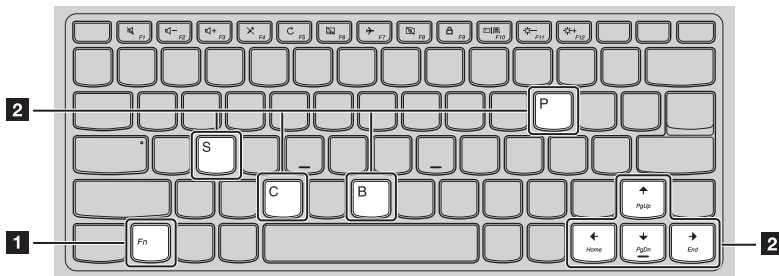
The keyboard has a separate numeric keypad. To enable or disable the numeric keypad, press the **Num Lock** key.



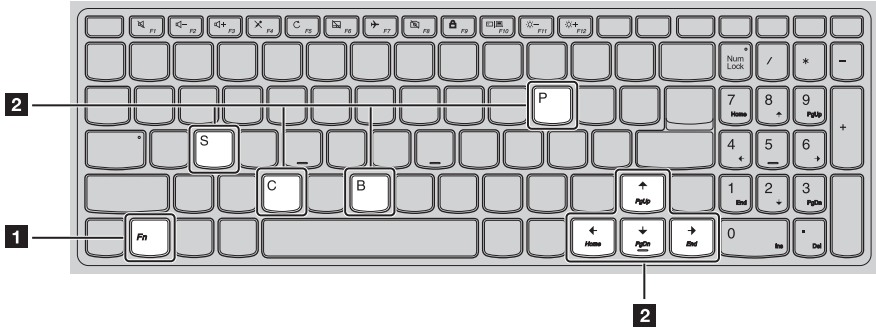
Function key combinations

Through the use of the function keys, you can change operational features instantly. To use this function, press and hold **Fn** **1**; then press one of the function keys **2**.

Lenovo V310-14ISK



Lenovo V310-15ISK



The following describes the features of each function key.

Fn + B: Activates the break function.

Fn + P: Activates the pause function.

Fn + C: Enables/disables the scroll lock.

Fn + S: Activates the system request.

Fn + ↑: Activates the PgUp key function.

Fn + ↓: Activates the PgDn key function.

Fn + ←: Activates the home key function.

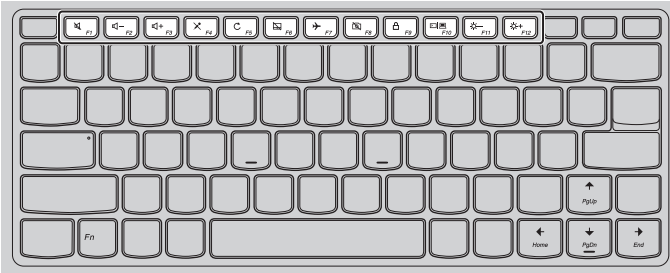
Fn + →: Activates the end key function.

Chapter 1. Getting to know your computer

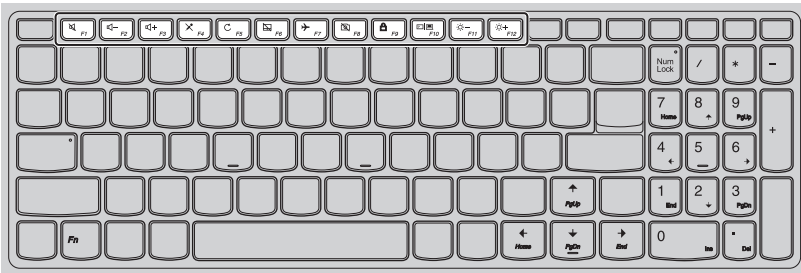
Hotkeys

You can access certain system settings quickly by pressing the appropriate hotkeys.

Lenovo V310-14ISK



Lenovo V310-15ISK



: Mutes/unmutes the sound.



: Enables/disables Airplane mode.



: Decreases the volume level.



: Enables/disables the integrated camera.



: Increases the volume level.



: Locks the screen.



: Enables/disables the microphone.



: Toggles the display between the computer and an external display device.



: Refreshes the desktop or the currently active window.



: Decreases the display brightness.



: Enables/disables the touchpad.



: Increases the display brightness.

Setting hotkey mode

By default, the hotkey functions are accessible by pressing the appropriate hotkey. However, you can disable the hotkey mode in the BIOS setup utility.

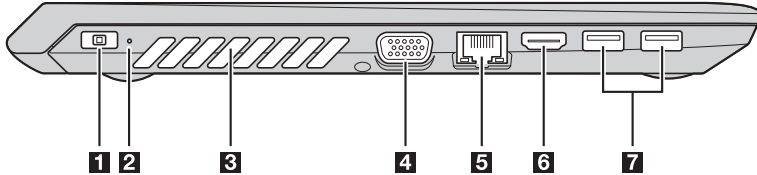
To disable the hotkey mode:

- ❶ Shut down the computer.
- ❷ Press the Novo button and then select **BIOS Setup**.
- ❸ In the BIOS setup utility, open the **Configuration** menu, and change the setting of **HotKey Mode** from **Enabled** to **Disabled**.
- ❹ Open the **Exit** menu, and select **Exit Saving Changes**.

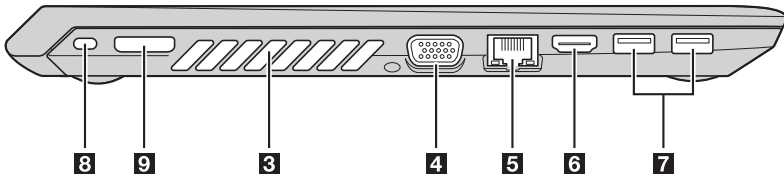
Note: When hotkey mode is disabled, press the **Fn** key and the appropriate hotkey to access the corresponding hotkey function.

■ ■ Left-side view

■ Lenovo V310-14ISK



■ Lenovo V310-15ISK



1 AC power adapter jack Connect the AC power adapter here.

2 Power status indicator

Indicator	Indicator status	Meaning
Power status indicator	On (green)	Connect the AC power adapter to the computer.
	Off	Disconnect the AC power adapter from the computer.

3 Ventilation slots Dissipate internal heat.

Note: Make sure that the ventilation slots are not blocked or else the computer may overheat.

4 VGA port Connects to external display devices.

5 RJ-45 port Connects the computer to an Ethernet network.

6 HDMI port Connects to devices with HDMI input such as a TV or an external display.

7 USB ports Connect to USB devices.

Note: For details, see “Connecting USB device” on page 10.

8 Kensington mini security slot For attaching a Kensington MiniSaver™ Mobile (or compatible) lock.

Note: Lock is not supplied. When purchasing a lock, choose one that utilizes the Cleat™ locking mechanism and verify its compatibility with the slot before purchase. A lock utilizing the T-Bar™ locking mechanism is not compatible with the Kensington mini security slot.

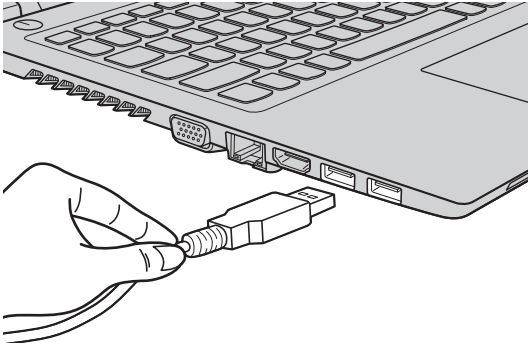
9 Lenovo OneLink connector (on select models) When a supported OneLink Dock is connected to the Lenovo OneLink connector, it can not only extend the computer capabilities, but also provide AC power to the computer and charge the battery. To use the Lenovo OneLink connector, you need to remove the connector cover from the Lenovo OneLink connector first.

Note: Ensure that you keep the connector cover. Reattach it to the Lenovo OneLink connector when you are not using the Lenovo OneLink connector.

Chapter 1. Getting to know your computer

■ Connecting USB device

You can connect a USB device to your computer by inserting its USB plug (Type A) into the USB port on your computer.



The first time you plug a USB device into a particular USB port on your computer, Windows automatically installs a driver for that device. After the driver has been installed, you can disconnect and reconnect the device without performing any additional steps.

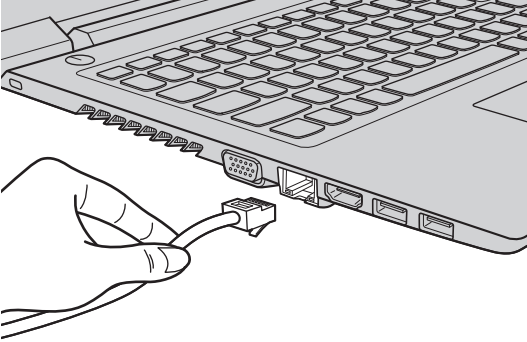
Note: Typically, Windows detects a new device after it has been connected, and then installs the driver automatically. However, some devices may require you to install the driver before connecting. Check the documentation provided by the device's manufacturer before connecting the device.

Before disconnecting a USB storage device, make sure your computer has finished transferring data to that device. Click the **Safely Remove Hardware and Eject Media** icon in the Windows notification area to remove the device before disconnecting.

Note: If your USB device uses a power cord, connect the device to a power source before connecting it. Otherwise, the device may not be recognized.

■ Connecting network cables

Wired connections are a reliable and safe way to connect the computer to the Internet. You can connect a network cable to your computer.

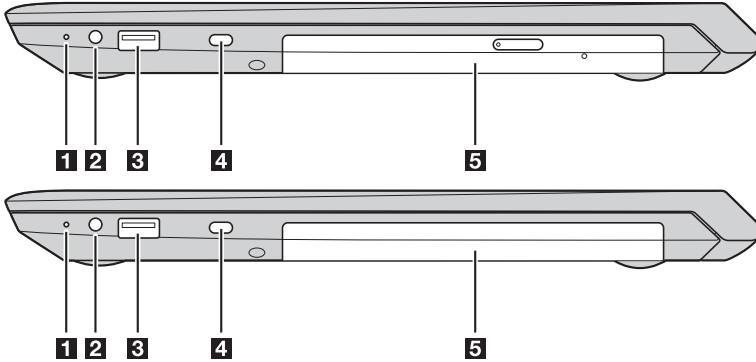


Software configuration

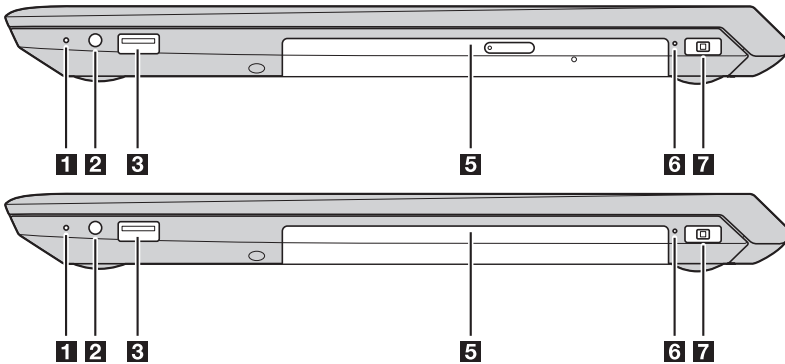
Consult your Internet Service Provider (ISP) for details on how to configure your computer.

■ ■ Right-side view

■ Lenovo V310-14ISK



■ Lenovo V310-15ISK



- 1 Novo button** When the computer is off, press this button to start the Lenovo OneKey Recovery System or the BIOS setup utility, or to enter the boot menu.

Note: For details, see “Lenovo OneKey Recovery System” on page 25.

- 2 Combo audio jack** Connects to headsets.

Notes:

- The combo audio jack does not support conventional microphones.
- The recording function might not be supported if third-party headphones or headsets are connected, due to different industry standards.

- 3 USB port** Connects to USB devices.

Note: For details, see “Connecting USB device” on page 10.

- 4 Kensington mini security slot** For attaching a Kensington MiniSaver™ Mobile (or compatible) lock.

Note: Lock is not supplied. When purchasing a lock, choose one that utilizes the Cleat™ locking mechanism and verify its compatibility with the slot before purchase. A lock utilizing the T-Bar™ locking mechanism is not compatible with the Kensington mini security slot.

- 5 Optical disk drive (on select models)** Reads/Burns optical discs.

Removable battery (on select models) Provides system power.

Note: Some models are supplied with an optical disk drive or a removable battery as an optional module. You can replace the optional module by yourself. Insert only one optional module in the module compartment at a time.

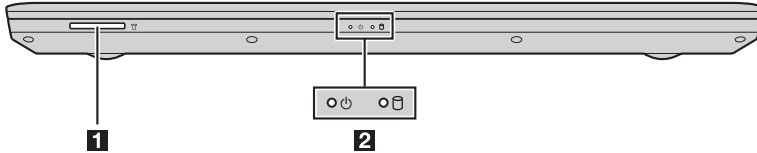
- 6 Power status indicator**

Indicator	Indicator status	Meaning
Power status indicator	On (green)	Connect the AC power adapter to the computer.
	Off	Disconnect the AC power adapter from the computer.

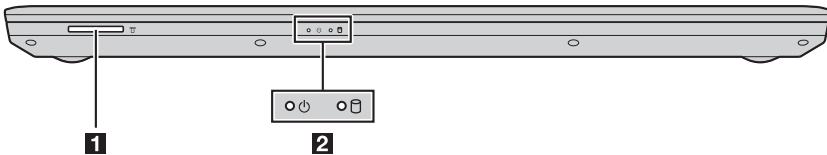
- 7 AC power adapter jack** Connects to the AC power adapter.

Front view

Lenovo V310-14ISK





Lenovo V310-15ISK



1 Memory card slot Accepts memory cards (not supplied).

Note: For details, see “Using memory cards (not supplied)” on page 15.

2 System status indicators

Symbol	Indicator	Indicator status	Charge status	Meaning
	Battery status indicator	On (solid green)	Charging	The battery has more than 80% charge.
		On (solid amber)	Discharging	The battery has more than 20% charge.
		Blinking slowly (green)	Charging	The battery has between 20% and 80% charge. When the battery reaches 80% charge, the light will stop blinking. However, charging will continue until the battery is fully charged.
		Blinking slowly (amber)	Charging	The battery has less than 20% charge. When the battery charge reaches 20%, the blinking color will change to green.
		Blinking quickly (amber)	Charging/Discharging	The battery has less than 5% charge.
	Hard disk drive	Blinking	---	The hard disk drive is reading or writing data.

■ Using memory cards (not supplied)

Your computer supports the following types of memory cards:

- Secure Digital (SD) card
- Secure Digital High Capacity (SDHC) card
- Secure Digital eXtended Capacity (SDXC) card
- MultiMediaCard (MMC)

Notes:

- Insert *only* one card in the slot at a time.
- This card reader does not support SDIO devices (e.g., SDIO Bluetooth, etc.).

Inserting a memory card

Insert the memory card until it touches the bottom of the slot.

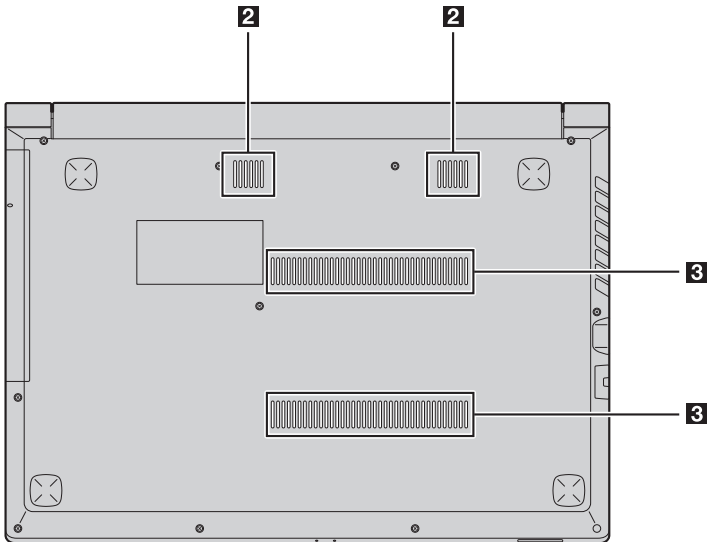
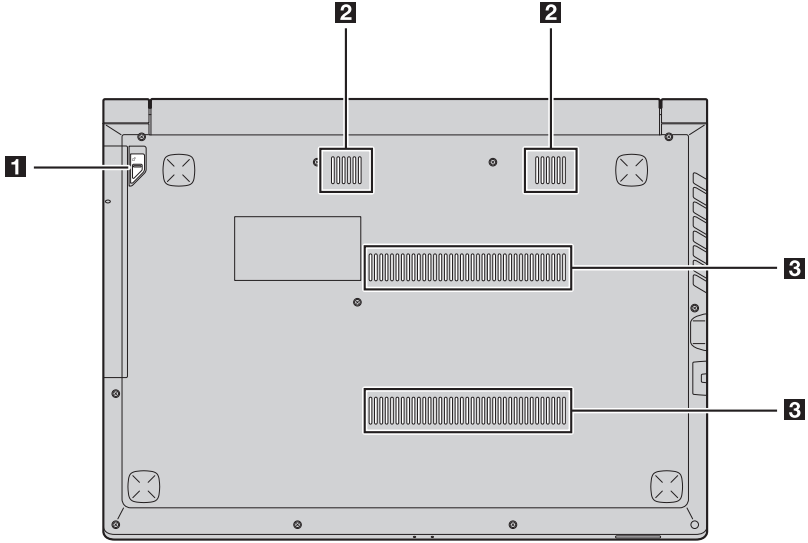
Removing a memory card

Gently pull the memory card out of the memory card slot.

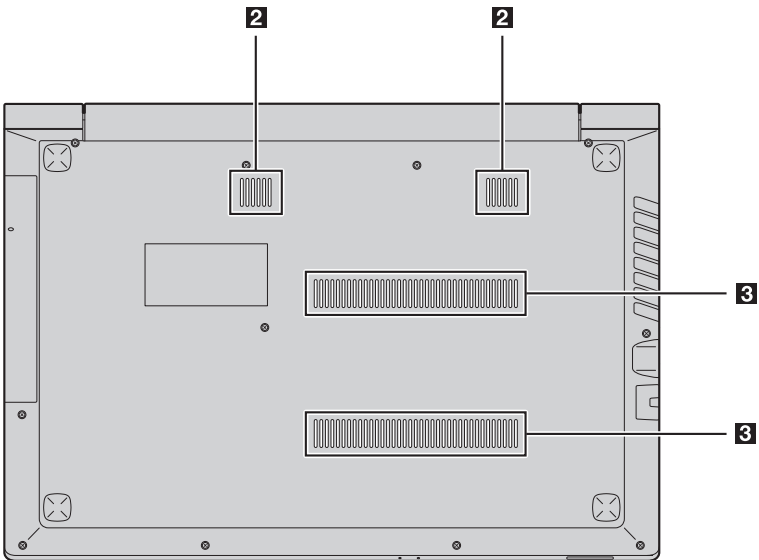
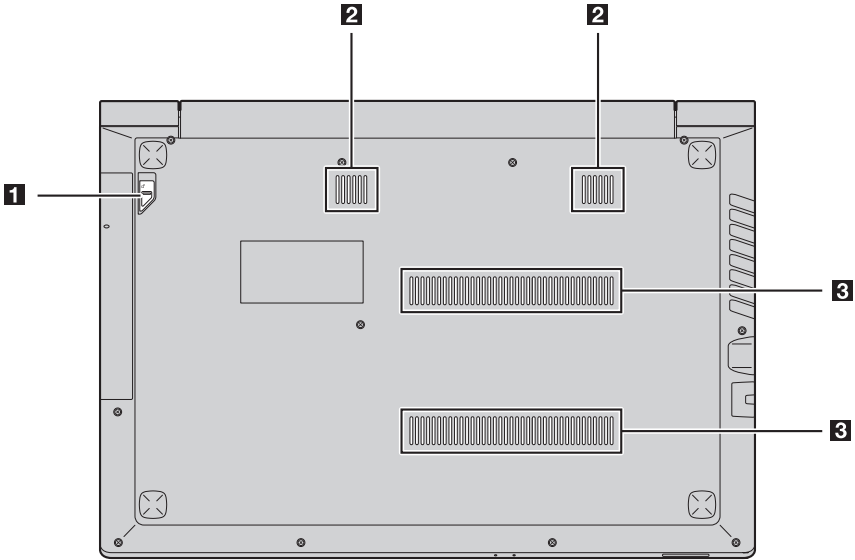
Note: Before removing the memory card, disable it by using the Windows safely remove hardware and eject media utility to avoid data corruption.

■ ■ Bottom view

■ Lenovo V310-14ISK



■ Lenovo V310-15ISK



Chapter 1. Getting to know your computer

- 1 Optical disk drive/
removable battery latch
(on select models)** The spring-loaded latch keeps the optical disk drive/removable battery secured in place.
- 2 Speakers** Provide audio output.
- 3 Louvers** Allow air to enter the computer for cooling.

Chapter 2. Starting to use Windows

■ ■ Configuring the operating system for the first time

You may need to configure the operating system when it is first used. The configuration process may include the procedures below:

- Accepting the end user license agreement
- Configuring the Internet connection
- Registering the operating system
- Creating a user account

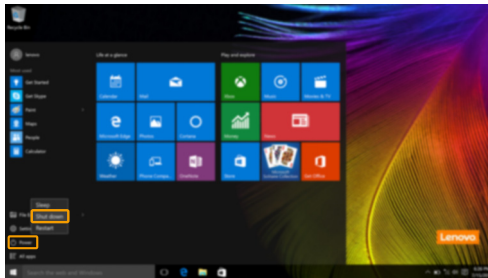
■ ■ Power-saving modes

When you have finished working with your computer, you can set it to shut down, sleep or hibernate.

■ Shutting down the computer

If you are not going to use your computer for a long time, shut it down. To shut down the computer, do one of the following:

- **Windows 7:**
Click **Start** → **Shut down**.
- **Windows 10:**
 - Open the start menu, and then select **Power** → **Shut down**.



- Right-click the **Start** button in the lower-left corner and select **Shut down or sign out** → **Shut down**.



Chapter 2. Starting to use Windows

■ Putting your computer to sleep

If you will be away from your computer for only a short time, put the computer to sleep. When the computer is in sleep mode, you can quickly wake it to resume use, bypassing the startup process.

To put the computer to sleep, do one of the following:

- Close the display lid.
- Press the Power button.
- Do the proper operations in the operating system.

Windows 7:

Click **Start**  → **Sleep**.

Windows 10:

Open the start menu, and then select **Power**  → **Sleep**.

Note: Wait until the power indicator light starts blinking (indicating that the computer is in sleep mode) before you move your computer. Moving your computer while the hard disk is spinning can damage the hard disk, causing loss of data.

To wake the computer, do one of the following:

- Press any key on the keyboard.
- Press the Power button.

■ ■ Connecting to a wireless network


Enabling wireless connection

To enable wireless functions, do one of the following:

- **Windows 10:** Press F7 () to disable airplane mode.

Connecting to a wireless network

To connect to a wireless network, do the following:

- ① Press F7 () to turn on the wireless feature.
- ② View the available wireless networks. Click the wireless network connection status icon in the Windows notification area. A list of available wireless networks will be displayed.
- ③ Click a network name in the list, and then click **Connect**.

Note: Some networks require a network security key or passphrase for connection. To connect to one of those networks, ask the network administrator or the Internet service provider (ISP) for the security key or passphrase.

■ ■ Help and support

If you have a problem with the operating system, see the Windows Help and Support file. To open the Windows Help and Support file, do the following:



- **Windows 7:**
Click **Start**  → **Help and Support**.

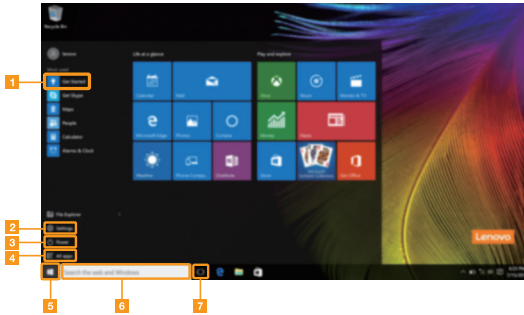
You can read the Windows Help and Support file on your computer. You can also get online help and support by clicking on one of the two links listed under **More to explore**.

■ ■ Operating system interface (for the Windows 10 operating system)

Windows 10 comes with a powerful and useful start menu.

To open the start menu, do one of the following:

- Press the Windows key  on the keyboard.
- Select **Start**  on the lower-left corner of the desktop.




- 1 Get Started app
- 2 Settings button
- 3 Power button
- 4 All apps button

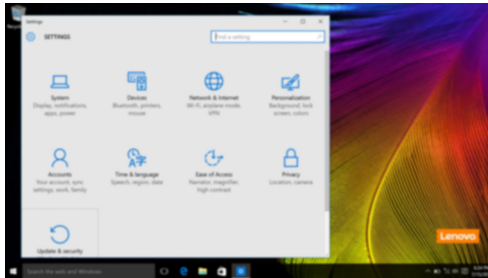
- 5 Start button
- 6 Search box
- 7 Task view button

■ Settings

Settings lets you perform basic tasks. You can also search for more settings with the settings search box in the upper-right corner.

To open the settings, do the following:


- Open the start menu, and then select **Settings** .

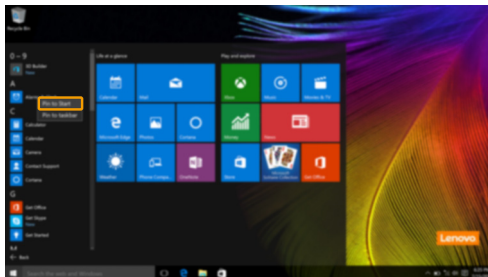


■ Personalize the start menu

You can personalize the start menu with your favorite apps.

To personalize the start menu, do the following:

- ① Open the start menu, and then select **All apps**  to display the apps list.
- ② Right click the app you want to add to the start menu, and then select **Pin to Start**.



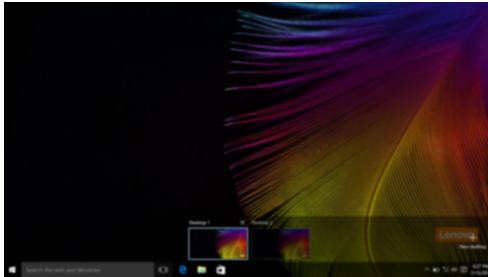
Note: You can also drag apps from the **Most used** or **All apps** columns to add them to the start menu.

■ ■ Task and desktop management (for the Windows 10 operating system)

■ Task view

To open the task view, do one of the following:


- Select the Task view button  on the task bar.
- Press the Windows key  + Tab.






■ Virtual desktop management

Windows 10 supports the ability to create, manage and switch between virtual desktops.

To create a new virtual desktop, do one of the following:

- Open the task view, and then select **New desktop**.
- Press the Windows key  + Ctrl + D.


To switch between different desktops, do one of the following:

- Open the task view and select the desktop you want active.
- Press the Windows key  + Ctrl +  /  to scroll through the desktops you've created.

■ ■ Get Started app (for the Windows 10 operating system)

Windows 10 also provides the **Get Started** app to explain the new features of Windows 10. You can find it on the start menu.

To open the Get Started app, do one of the following:

- Open the start menu and select **Get Started** .
- Press **Fn + F1** (depending on your keyboard layout).

Chapter 3. Lenovo OneKey Recovery System

The Lenovo OneKey Recovery System is software designed to back up and restore your computer. You can use it to restore the system partition to its original status in case of a system failure. You can also create user backups for easy restoration as required.

Notes:

- If your computer is preinstalled with a GNU/Linux operating system, OneKey Recovery System is not available.
- To utilize the features of the OneKey Recovery System, your hard disk already includes a hidden partition by default to store the system image file and the OneKey Recovery System program files. This default partition is hidden for security reasons, which explains why the available disk space is less than the stated capacity.

■ Backing up the system partition

You can back up the system partition to an image file. This image file can be used to restore the system partition. To back up the system partition:

- ① In Windows, press the Novo button or double-click OneKey Recovery icon to start the Lenovo OneKey Recovery System.
- ② Click **System Backup**.
- ③ Select a back-up location and click **Next** to start the backup.

Notes:

- You can choose a back-up location on the local hard disk drive or an external storage device.
- Remove the removable hard disk drive before starting the Lenovo OneKey Recovery System. Otherwise, data from the removable hard disk drive might be lost.
- The back-up process may take a while.
- The back-up process is only available when Windows can be started normally.

■ Restoring

You can choose to restore the system partition to its original status or to a previously created back-up point. To restore the system partition:

- ① In Windows, press the Novo button or double-click OneKey Recovery icon to start the Lenovo OneKey Recovery System.
- ② Click **System Recovery**. The computer will restart to the recovery environment.
- ③ Follow the on-screen instructions to restore the system partition to its original status or to a previously created back-up point.

Notes:

- The recovery process is irreversible. Make sure to back up any data you wish to save on the system partition before starting the recovery process.
- The recovery process may take a while. So be sure to connect the AC power adapter to your computer during the recovery process.
- The above instructions should be followed when Windows can be started normally.

If Windows cannot be started, then follow the steps below to start the Lenovo OneKey Recovery System:

- ① Shut down the computer.
- ② Press the Novo button. From **Novo Button Menu**, select **System Recovery** and press Enter.

Chapter 4. Troubleshooting

■ ■ Frequently asked questions

This section lists frequently asked questions by category.

■ Finding information

What safety precautions should I follow when using my computer?

The *Lenovo Safety and General Information Guide* which came with your computer contains safety precautions for using your computer. Read and follow all the precautions when using your computer.

Where can I find the hardware specifications for my computer?

You can find the hardware specification for your computer on the printed flyers which came with your computer.

Where can I find warranty information?

For detailed warranty information on this machine, please visit below website to check out: support.lenovo.com/warrantystatus.

■ Drivers and preinstalled software

Where are the installation discs for Lenovo preinstalled software (desktop software)?

Your computer did not come with installation discs for Lenovo preinstalled software. If you need to reinstall any preinstalled software, you can find the installation program on the D partition of your hard disk. If you cannot find the installation program there, you can also download it from the Lenovo consumer support website.

Where can I find drivers for the various hardware devices of my computer?

If your computer is preinstalled with a Windows operating system, Lenovo provides drivers for all the hardware devices that you need on the D partition of your hard disk. You can also download the latest device drivers from the Lenovo consumer support website.

■ Lenovo OneKey Recovery System

Where are the recovery discs?

Your computer did not come with any recovery discs. Use the Lenovo OneKey Recovery System if you need to restore the system to its original factory status.

What can I do if the back-up process fails?

If you can start the backup but it fails during the back-up process, try the following steps:

- 1 Close all open programs, and then restart the back-up process.
- 2 Check to see if the destination media is damaged. Select another path and then try again.

When do I need to restore the system to its factory status?

Use this feature when the operating system fails to start up. If there is critical data on the system partition, back it up before starting recovery.

■ BIOS setup utility

What is the BIOS setup utility?

The BIOS setup utility is a ROM-based software. It displays basic computer information and provides options for setting boot devices, security, hardware mode, and other preferences.

How can I start the BIOS setup utility?

To start the BIOS setup utility:

- ❶ Shut down the computer.
- ❷ Press the Novo button and then select **BIOS Setup**.

How can I change the boot mode?

There are two boot modes: **UEFI** and **Legacy Support**. To change the boot mode, start the BIOS setup utility and set boot mode to **UEFI** or **Legacy Support** on the boot menu.

When do I need to change the boot mode?

The default boot mode for your computer is **UEFI** mode. If you need to install a legacy operating system, such as Windows, Linux or Dos, etc. (that is, any operating system before Windows 8) on your computer, you must change the boot mode to **Legacy Support**. The legacy operating system, such as Windows, Linux or Dos, etc. cannot be installed if you don't change the boot mode.

■ Getting help

How can I contact the customer support center?

See “Chapter 3. Getting help and service” in the *Lenovo Safety and General Information Guide*.

■ ■ Troubleshooting

Display problems

When I turn on the computer, nothing appears on the screen.

- If the screen is blank, make sure that:
 - The AC power adapter is connected to the computer, and the power cord is plugged into a working electrical outlet.
 - The computer power is on. (Press the Power button again for confirmation.)
- If these items are properly set, and the screen remains blank, have the computer serviced.

When I turn on the computer, only a white cursor appears on a blank screen.

- Restore backed-up files to your Windows environment or the entire contents of your hard disk to its original factory contents using the Lenovo OneKey Recovery System. If you still see only the cursor on the screen, have the computer serviced.

The screen goes blank while the computer is on.

- Your screen saver or power management may be enabled. Do one of the following to exit from the screen saver or to resume from sleep mode:
 - Touch the touchpad.
 - Press any key on the keyboard.
 - Press the Power button.

BIOS password problems

I forgot my password.

- If you forget your user password, ask the system administrator to clear your user password.
- If you forget your hard disk drive password, a Lenovo authorized servicer cannot reset your password or recover data from the hard disk. You must take your computer to a Lenovo authorized servicer or a marketing representative to have the hard disk drive replaced. Proof of purchase is required, and a fee will be charged for parts and service.
- If you forget your administrator password, a Lenovo authorized servicer cannot reset your password. You must take your computer to a Lenovo authorized servicer or a marketing representative to have the system board replaced. Proof of purchase is required, and a fee will be charged for parts and service.

Sleep problems

The critical low-battery error message appears, and the computer immediately turns off.

- The battery power is getting low. Connect the AC power adapter to the computer.

The computer enters sleep mode immediately after Power-on self-test (POST).

- Make sure that:
 - The battery pack is charged.
 - The operating temperature is within the acceptable range. See “Chapter 2. Use and care Information” in the *Lenovo Safety and General Information Guide*.


Note: If the battery pack is charged and the temperature is within range, have the computer serviced.

The computer does not return from sleep mode, and the computer does not work.

- If your computer is in sleep mode, connect the AC power adapter to the computer, then press any key or the Power button.
- If the system still does not return from sleep mode, stops responding, or cannot be turned off, reset the computer. Unsaved data may be lost. To reset the computer, press and hold the Power button for four seconds or more. If the computer is still not reset, remove the AC power adapter.

Display panel problems

The screen is blank.

- Do the following:
 - If you are using the AC power adapter or the battery pack, and the battery status indicator is on, press **F12** () to make the screen brighter.
 - If the power indicator is blinking, press the Power button to resume from sleep mode.
 - If the problem persists, follow the solution in the next problem “The screen is unreadable or distorted.”

The screen is unreadable or distorted.

- Make sure that:
 - The display device driver is installed correctly.
 - The screen resolution and color quality are correctly set.
 - The monitor type is correct.

Incorrect characters appear on the screen.

- Is the operating system or programs installed correctly? If they are installed and configured correctly, have the computer serviced.

Chapter 4. Troubleshooting

Sound problems

No sound can be heard from the speakers even when the volume is turned up.

- Make sure that:
 - The Mute function is off.
 - The combo audio jack is not being used.
 - Speakers are selected as the playback device.

Battery pack problems

Your computer shuts down before the battery status indicator shows empty.

-or-

Your computer operates after the battery status indicator shows empty.

The operating time for a fully charged battery pack is short.

- Discharge and recharge the battery pack.

A hard disk drive problem

The hard disk drive does not work.

- Make sure that the hard disk drive is included in the **Boot** menu in the BIOS setup utility correctly.

OneKey Recovery System problems

Backup cannot be made.

- Make sure that you are currently using a Windows operating system.
- There may not be enough space to store the backed-up data. You will need to free more hard disk space on your backup's partition.

Failure to restore system partition to factory default.

- The system partition (e.g. the partition size or the drive capacity of C) has been modified.

Other problems

Your computer does not respond.

- To turn off your computer, press and hold the Power button for four seconds or more. If the computer still does not respond, remove the AC power adapter.
- Your computer might lock when it enters sleep mode during a communication operation. Disable the sleep timer when you are working on the network.

The computer does not start from a device you want.

- See the **Boot** menu of the BIOS setup utility. Make sure that the BIOS setup utility is set so that the computer starts from the device you want.
- Also make sure that the device from which the computer starts is enabled. Make sure that the device is included in the **Boot** menu in the BIOS setup utility correctly.
- While turned off, press the Novo button to select the device you want the computer to start from.

The connected external device does not work.

- Do *not* connect or disconnect any external device cables other than USB while the computer power is on. Otherwise, you might damage your computer.
- When using high power consumption external devices such as an external USB optical disk drive, use an external device power adapter. Otherwise, the device may not be recognized, or the system may shut down as a result.

Appendix A. CRU instructions

Customer Replaceable Units (CRUs) are parts that can be upgraded or replaced by the customer. If a CRU is determined to be defective during the warranty period, a replacement CRU will be provided to the customer. Customers are responsible for installing the self-service CRUs for this product. Customers also can install optional-service CRUs, which might require some technical skills or tools, or request that a technician install the optional-service CRU under the terms of the applicable warranty service type for your country or region.

Notes:

- The illustrations in this manual might differ from the actual product. Please refer to the actual product.
- The CRU service is only applicable to certain countries.

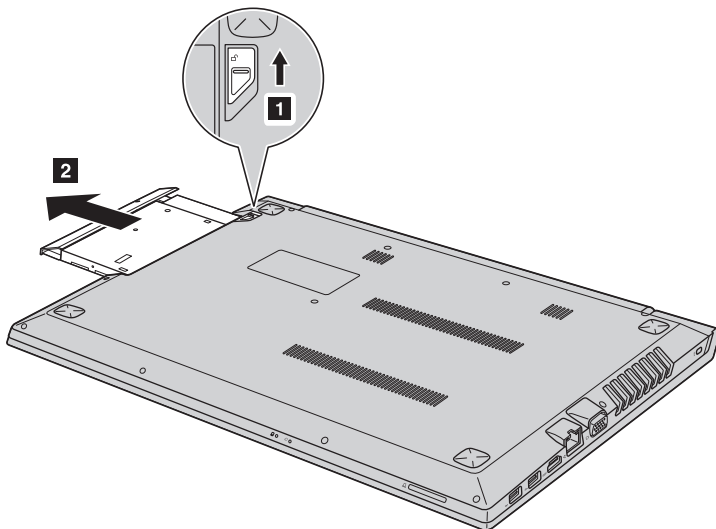
■ Replacing the removable module (on select models)

Note: For example purposes, this section describes the replacement of the optical disk drive module.

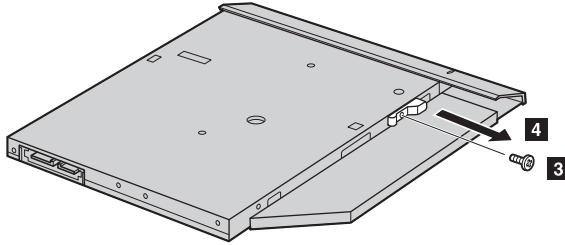
■ Supplied with an optical disk drive and a removable battery

To remove the removable module, do the following:

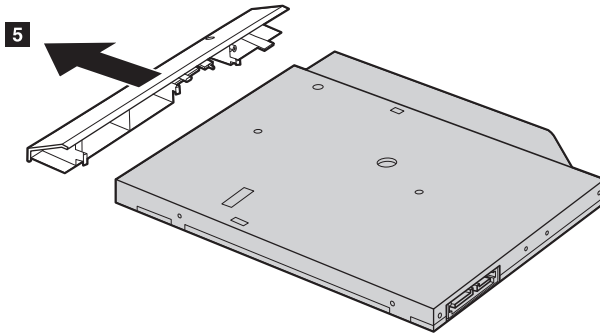
- 1 Turn off the computer. Disconnect the AC power adapter and all cables from the computer.
- 2 Close the computer display, and then turn the computer over.
- 3 Hold the spring-loaded latch in the unlocked position **1**.
- 4 Gently pull the removable module out **2**.



- 5 Remove the screw 3, then remove the latch catch in the direction shown by arrow 4.



- 6 Carefully remove the removable module bezel in the direction shown by arrow 5.

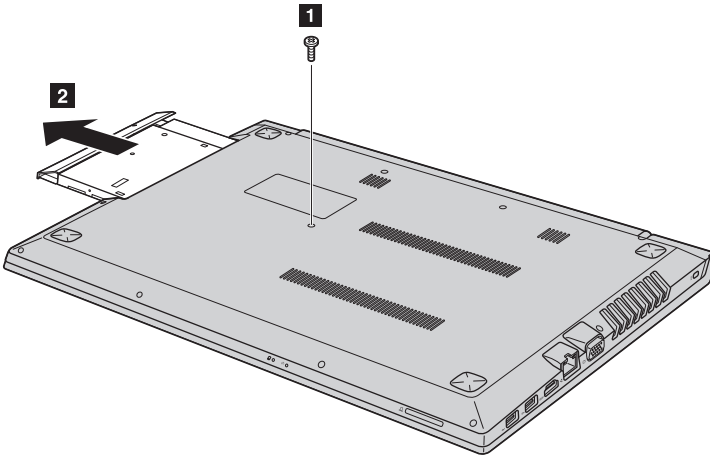


Appendix A. CRU instructions

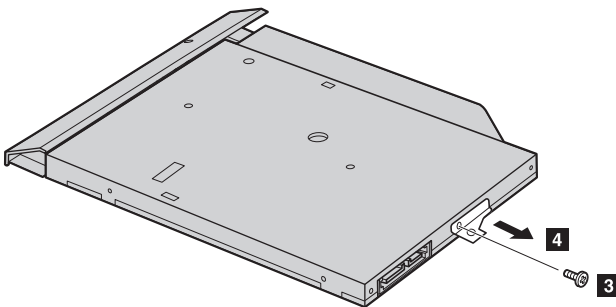
■ Supplied with an optical disk drive Or a removable battery

To remove the removable module, do the following:

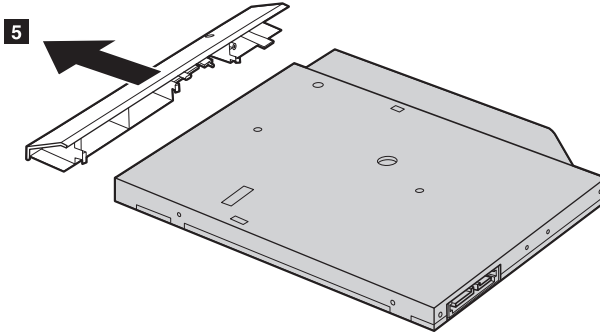
- 1 Turn off the computer. Disconnect the AC power adapter and all cables from the computer.
- 2 Close the computer display, and then turn the computer over.
- 3 Remove the screw shown in the illustration 1.
- 4 Gently pull the removable module out 2.



- 5 Remove the screw 3, then remove the removable module bracket in the direction shown by arrow 4.



- 6 Carefully remove the removable module bezel in the direction shown by arrow 5.



The following table provides a list of CRUs (Customer Replaceable Units) for your computer and informs you of where to find replacement instructions.

Self-service CRUs

	Safety, Warranty, and Setup Guide	User Guide
AC power adapter	○	
Power cord for AC power adapter	○	
Optical disk drive (on select models)		○
Removable battery (on select models)		○

Trademarks

The following terms are trademarks or registered trademarks of Lenovo in the United States, other countries, or both.

Lenovo
OneKey

Microsoft and Windows are trademarks of Microsoft Corporation in the United States, other countries, or both.

Other company, products, or service names may be trademarks or service marks of others.

