

## Windows help system

The Windows help system provides you with detailed information about using the Windows operating system.

To access the Windows help system, do the following:  
Open the Start menu and then click or tap **Get Started** to get more details. You can also enter **Get Started** or what you're looking for in the search box on the taskbar. You'll get suggestions and answers to your questions about Windows and the best search results available from your PC and the Internet.

To perform system recovery after a serious error in Windows 10, click or tap the Start button and select **Settings** → **Update & security** → **Recovery**. Then, follow the instructions on the screen for system recovery.

**ATTENTION:** The Windows operating system is provided by Microsoft Corporation. Please use it in accordance with the **END USER LICENSE AGREEMENT (EULA)** between you and Microsoft. For any question related to the operating system, please contact Microsoft directly.

## Accessing other manuals

The *Important Product Information Guide* has been preloaded onto your computer. To access this guide, do the following:

**For models come with Lenovo companion:**  
1. Open the Start menu and then click or tap **Lenovo Companion**. If Lenovo Companion is not displayed on the Start menu, click or tap **All apps** to display all programs, and then click or tap **Lenovo Companion**.  
2. Click or tap **Support** → **User Guide**.

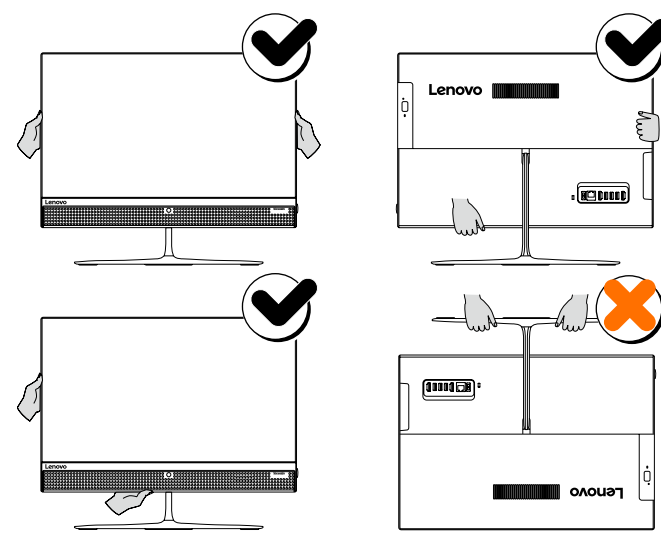
**For models without Lenovo companion:**  
Open the Start menu and then click or tap **Manual** to access this guide.

**For models without preinstalled operating systems:**  
Go to the Lenovo Support Web site to access your manuals. See "Downloading manuals" for additional information.

### Downloading manuals

The latest electronic publications for your computer are available from the Lenovo Support Web site. To download the publications, go to: [www.lenovo.com/UserManuals](http://www.lenovo.com/UserManuals).

## Carrying the computer



## Replacing or upgrading hardware

### Safety information for replacing CRUs

Do not open your computer or attempt any repairs before reading the "Important safety information" in the *Safety, Warranty, Environment, Recycling Information Guide* and *Important Product Information Guide* that was included with your computer.

If you no longer have this copy of the *Safety, Warranty, Environment, Recycling Information Guide* and *Important Product Information Guide*, you can obtain one online from the website at <http://www.lenovo.com/UserManuals>.

### Pre-disassembly instructions

Before proceeding with the disassembly procedure, make sure that you do the following:

1. Turn off the power to the system and all peripherals.
2. Unplug all power and signal cables from the computer.
3. Place the system on a flat, stable surface.

CRUs for your computer include:

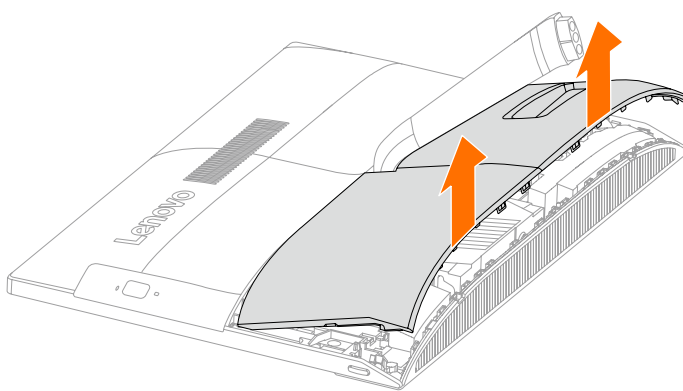
- keyboard
- mouse
- memory module
- solid state drive\*
- adapter
- hard disk drive
- optical drive

This part contains instructions for replacing the following parts:

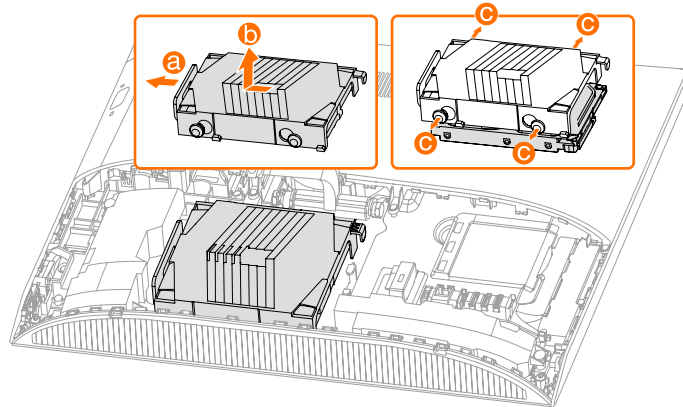
- Hard disk drive (Follow steps: **1 2**)
- Optical drive (Follow steps: **1 3**)
- Memory module (Follow steps: **1 4**)
- Solid state drive (Follow steps: **1 5**)

## Replacing or upgrading hardware

### 1 Removing the foot cover

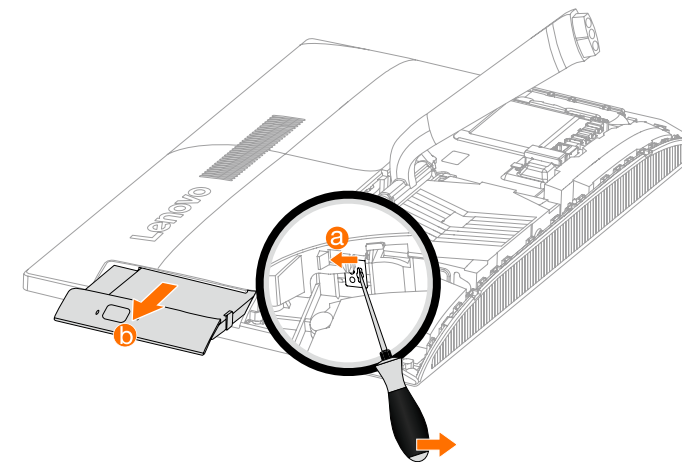


### 2 Removing the hard disk drive

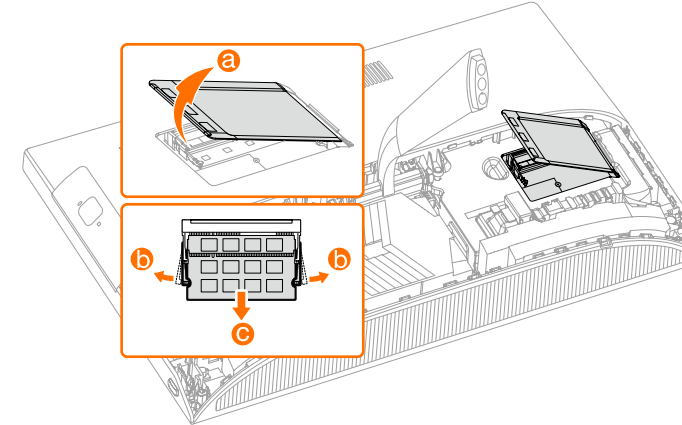


## Replacing or upgrading hardware

### 3 Removing the optical drive

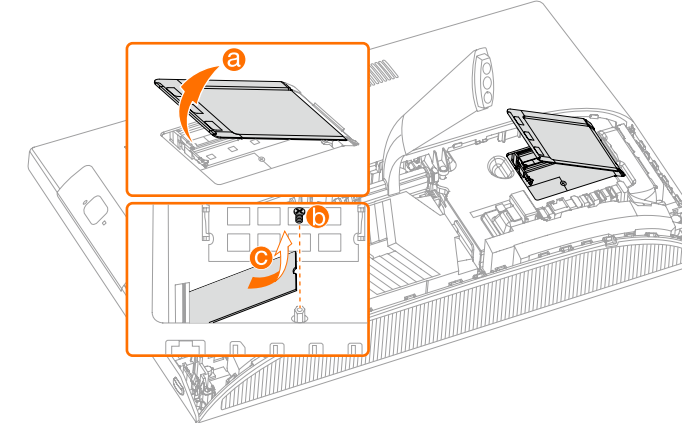


### 4 Removing the memory module



## Replacing or upgrading hardware

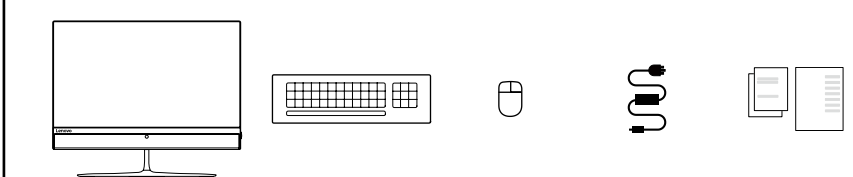
### 5 Removing the solid state drive



# ideacentre AIO 510 Series Quick Start Guide

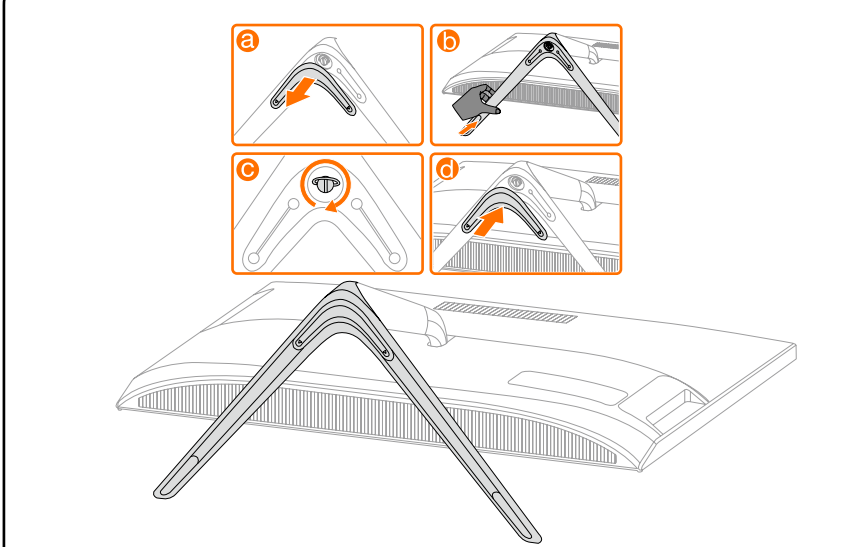
## 1 Unpacking

Computer Keyboard\* Mouse\* Power cord Publications

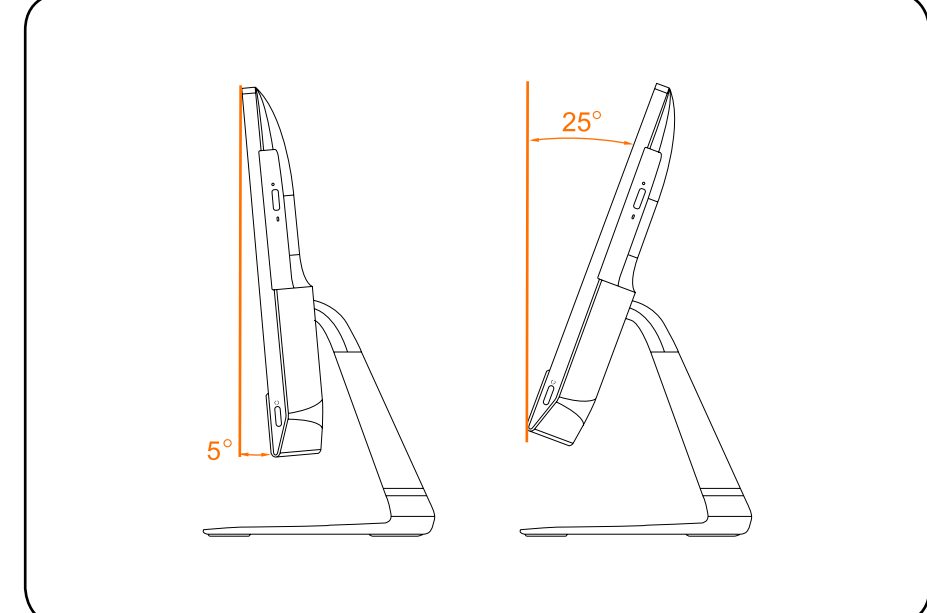


- \* Selected models only.
1. Some models may contain items that are not listed.
  2. The descriptions in this guide might be different from what you see on your computer, depending on the computer model and configuration.
  3. Product design and specifications may be changed without notice.

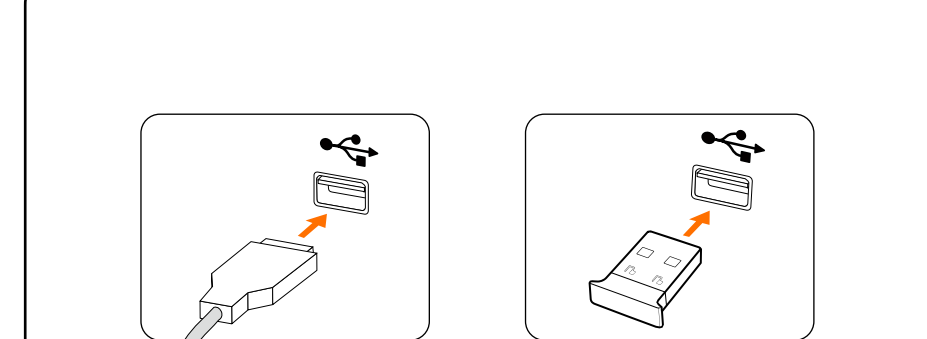
## 2 Installing the stand base



## 3 Adjusting the computer stand

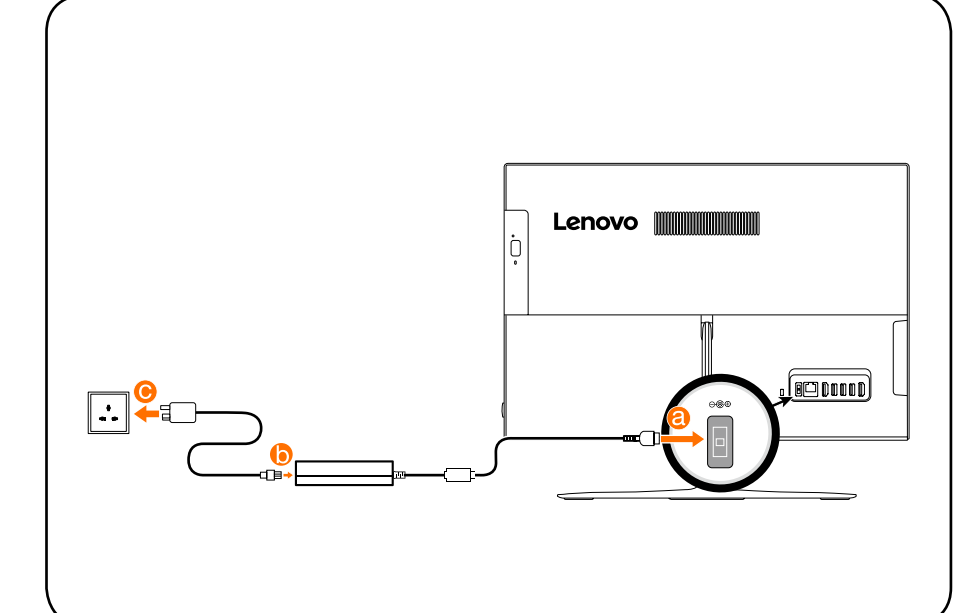


## 4 Connecting the keyboard and mouse

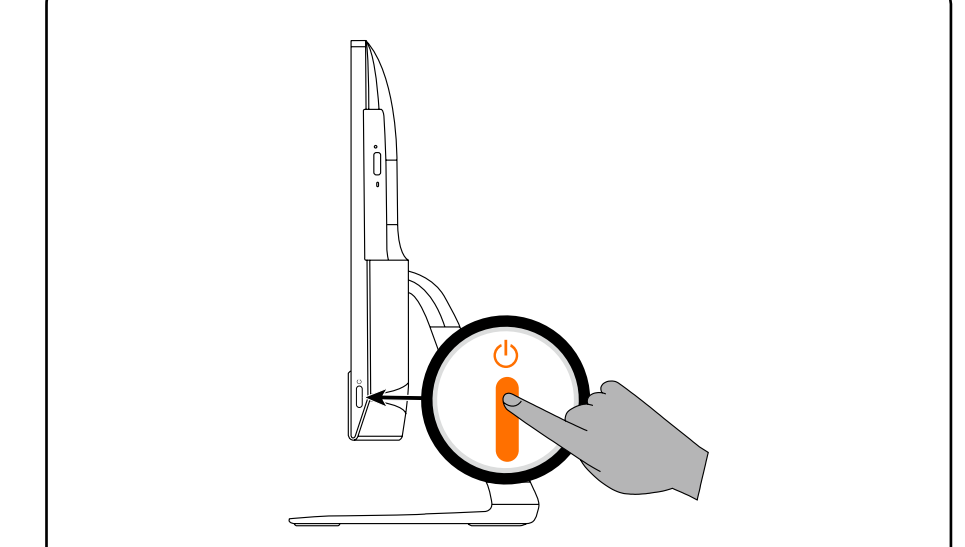


**NOTE:** If your computer is equipped with a wireless keyboard or mouse, follow the installation instructions for those devices.

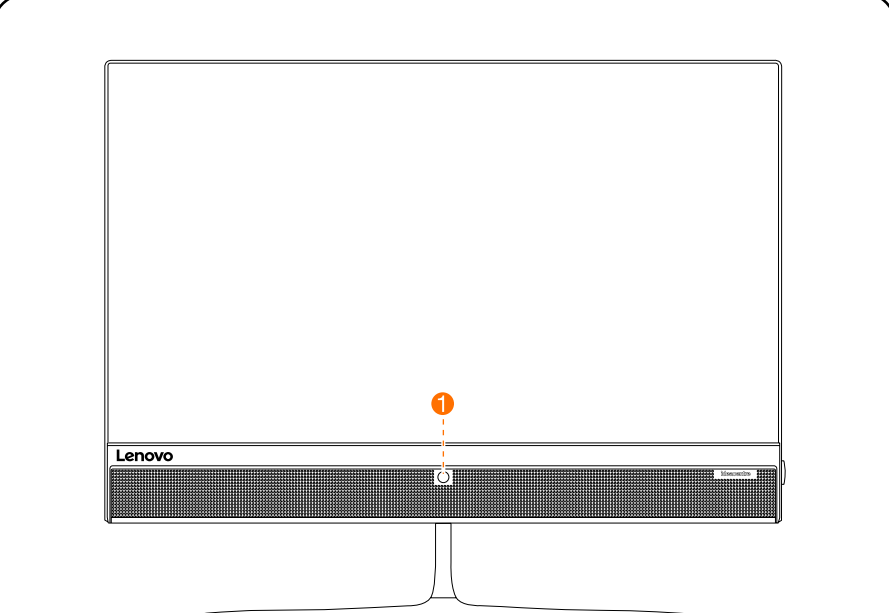
## 5 Connecting the power cable



## 6 Turning on the computer



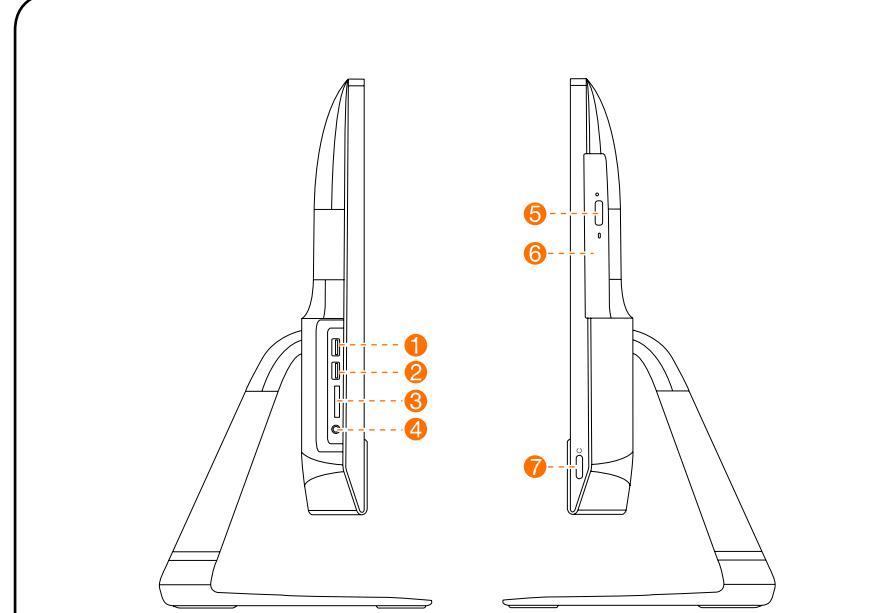
## Front view of the computer



- 1 Built-in camera

**ATTENTION:** Be sure not to block any air vents on the computer. Blocked air vents may cause thermal problems.  
**ATTENTION:** If your computer is equipped with an infrared (IR) remote control, do not put the USB IR receiver on the same plane as the screen.

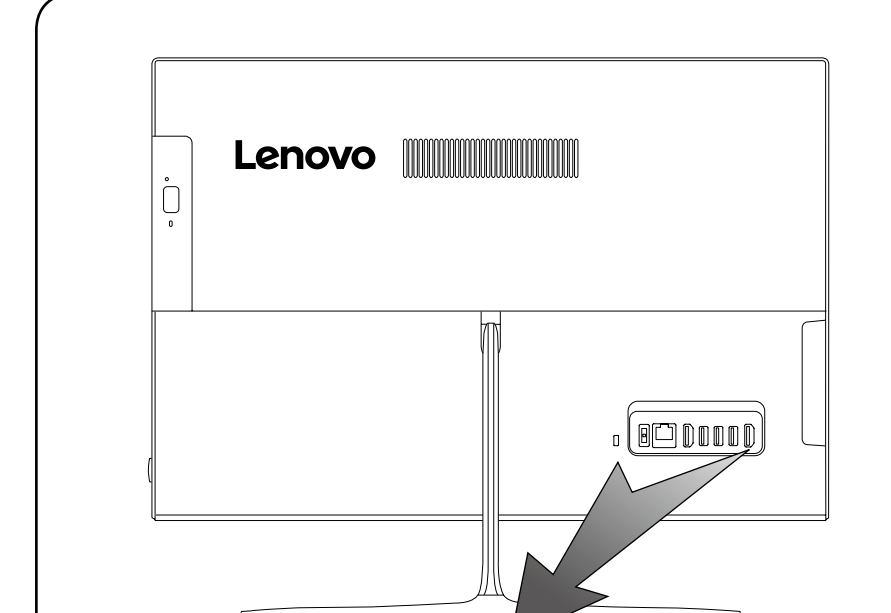
## Left and right view of the computer



- 1 USB 3.0 connector
- 2 USB 3.0 connector
- 3 Memory card reader
- 4 Combo audio jack <sup>1</sup>
- 5 Optical drive eject button
- 6 Optical drive
- 7 Power button

<sup>1</sup> Combo audio jack: Used to connect headsets.

## Rear view of the computer



- 1 Security cable slot
- 2 Power connector
- 3 Ethernet connector
- 4 HDMI-out connector
- 5 USB 2.0 connector
- 6 USB 2.0 connector
- 7 USB 2.0 connector
- 8 HDMI-in connector <sup>1</sup>

<sup>1</sup> Selected models only.

**NOTES:**

- The combo audio jack does not support conventional microphones.
- Different industry standards may lead to the recording function not being supported if third-party headphones or headsets are connected.

## Connecting to the Internet

You need a contract with an Internet Service Provider (ISP) and some hardware in order to connect to the Internet. ISPs and the services they offer vary by country. Contact your ISP for services available in your country. Your computer supports wireless (selected models only) or wired networks that connect your computer to other devices.

**Wired network connection**  
For wired networks, connect one end of an Ethernet cable (purchased separately) to the Ethernet connector on your computer, and then connect the other end to the network router or broadband modem. Consult your ISP for detailed setup instructions.

**NOTE:** Broadband modem and router installation procedures vary depending on the manufacturer. Follow the manufacturer's instructions.

**Wireless network connection**  
For wireless networks, you can use the built-in Wi-Fi antenna to access your wireless home network.  
To connect your computer to the wireless network:  
Click or tap the network icon on the taskbar, then select the name of your router. Click or tap **Connect**, then follow the steps on the screen.  
Test the wireless network by opening your Web browser and accessing any Web site.

The following information refers to ideacentre AIO 510 machine type:  
F0CB [AIO 510-22ISH/Energy Star] / F0CC [AIO 510-22ASR/Energy Star]  
F0CD [AIO 510-23ISH/Energy Star] / F0CE [AIO 510-23ASR/Energy Star]

Lenovo, the Lenovo logo and ideacentre are trademarks of Lenovo in the United States, other countries, or both.  
Windows is a trademark of the Microsoft group of companies.  
Other company, product, or service names may be trademarks or service marks of others.

© Copyright Lenovo 2016. LIMITED AND RESTRICTED RIGHTS NOTICE: If data or software is delivered pursuant to a General Services Administration "GSA" contract, use, reproduction, or disclosure is subject to restrictions set forth in Contract No. GS-35F-05925.

